



US00D709201S

(12) **United States Design Patent**  
**Silvonen**

(10) **Patent No.:** **US D709,201 S**  
(45) **Date of Patent:** **\*\* Jul. 15, 2014**

(54) **ARM OF A DENTAL UNIT**

(71) Applicant: **Timo Silvonen**, Espoo (FI)

(72) Inventor: **Timo Silvonen**, Espoo (FI)

(73) Assignee: **Planmeca Oy**, Helsinki (FI)

(\*\*) Term: **14 Years**

(21) Appl. No.: **29/448,199**

(22) Filed: **Mar. 11, 2013**

(51) **LOC (10) Cl.** ..... **24-01**

(52) **U.S. Cl.**  
USPC ..... **D24/177**

(58) **Field of Classification Search**  
USPC ..... D24/176-179, 184, 158; 433/25, 28,  
433/77, 79, 98, 100, 101; 312/209;  
248/278.1, 282.1, 283.1, 285.1,  
248/289.11, 324  
See application file for complete search history.

(56) **References Cited**

**U.S. PATENT DOCUMENTS**

D183,954 S \* 11/1958 Storm, Jr. et al. .... D24/177  
D201,968 S \* 8/1965 Gardella ..... D24/177

D202,042 S \* 8/1965 Walters ..... D24/177  
D208,304 S \* 8/1967 Krautz ..... D24/177  
D233,990 S \* 12/1974 Booth ..... D24/177  
D246,534 S \* 11/1977 Buckley ..... D24/177  
4,427,382 A \* 1/1984 Hoffmeister et al. .... 433/79  
4,445,859 A \* 5/1984 Hoffmeister et al. .... 433/79  
5,343,391 A \* 8/1994 Mushabac ..... 433/79  
D384,154 S \* 9/1997 Malmen et al. .... D24/178  
D665,502 S \* 8/2012 Frenkler et al. .... D24/177

\* cited by examiner

*Primary Examiner* — Wan Laymon

(74) *Attorney, Agent, or Firm* — Fay Sharpe LLP

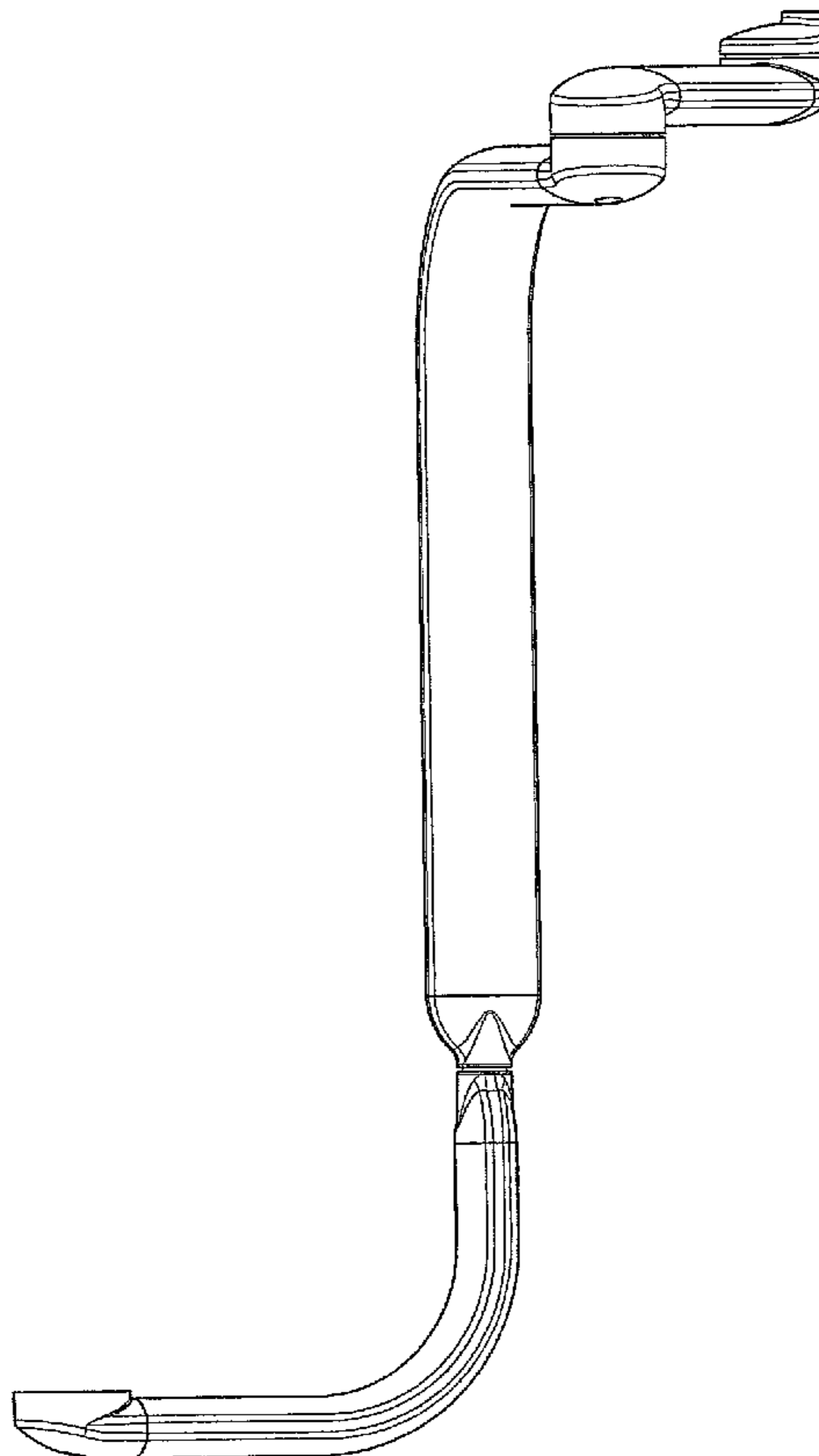
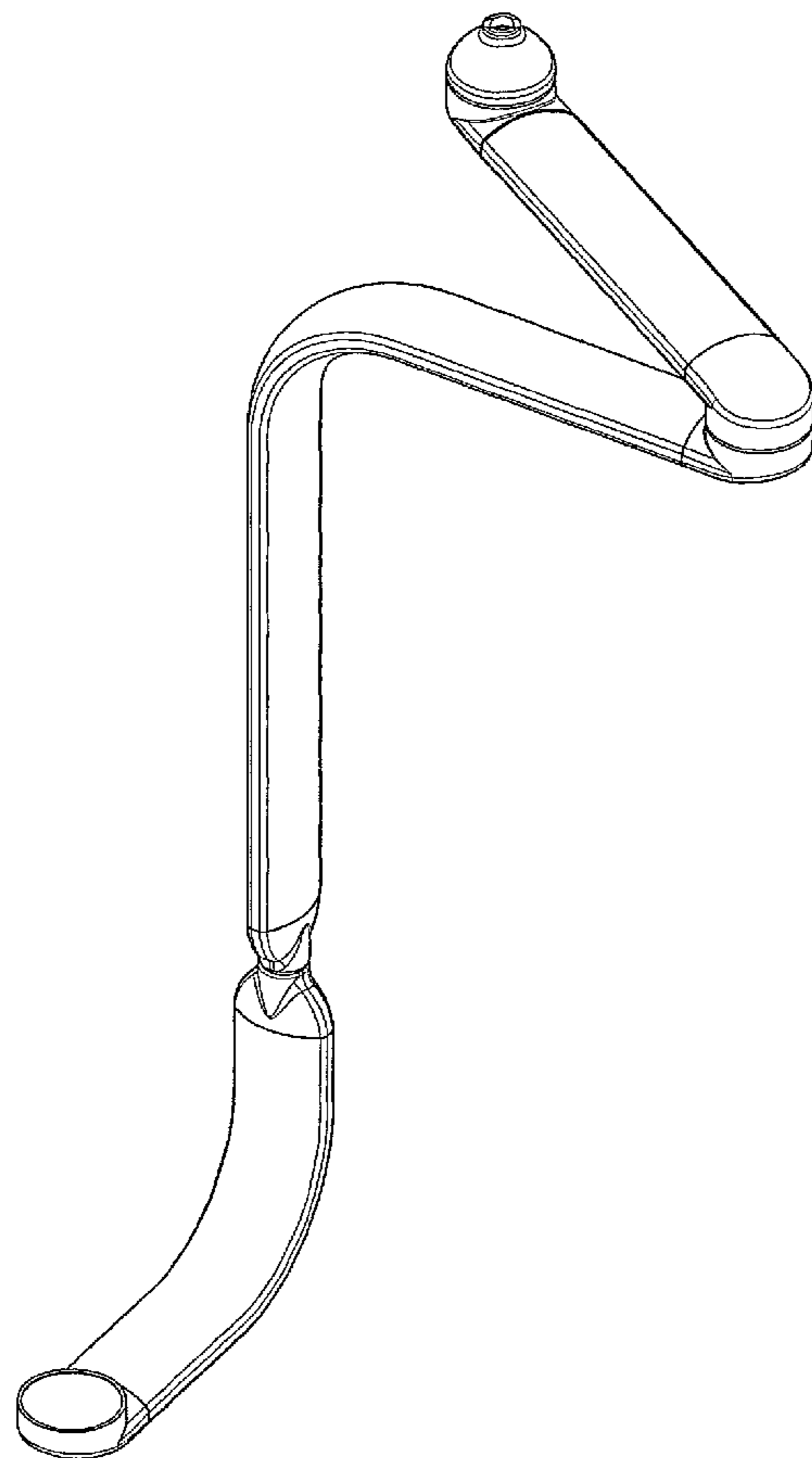
(57) **CLAIM**

The ornamental design for an arm of a dental unit, as shown and described.

**DESCRIPTION**

FIG. 1 is a perspective view of a dental unit arm;  
FIG. 2 is a front plan view thereof;  
FIG. 3 is a first side plan view thereof;  
FIG. 4 is a rear plan view thereof;  
FIG. 5 is the other side plan view thereof;  
FIG. 6 is a top end view thereof; and,  
FIG. 7 is a bottom end view thereof.

**1 Claim, 7 Drawing Sheets**



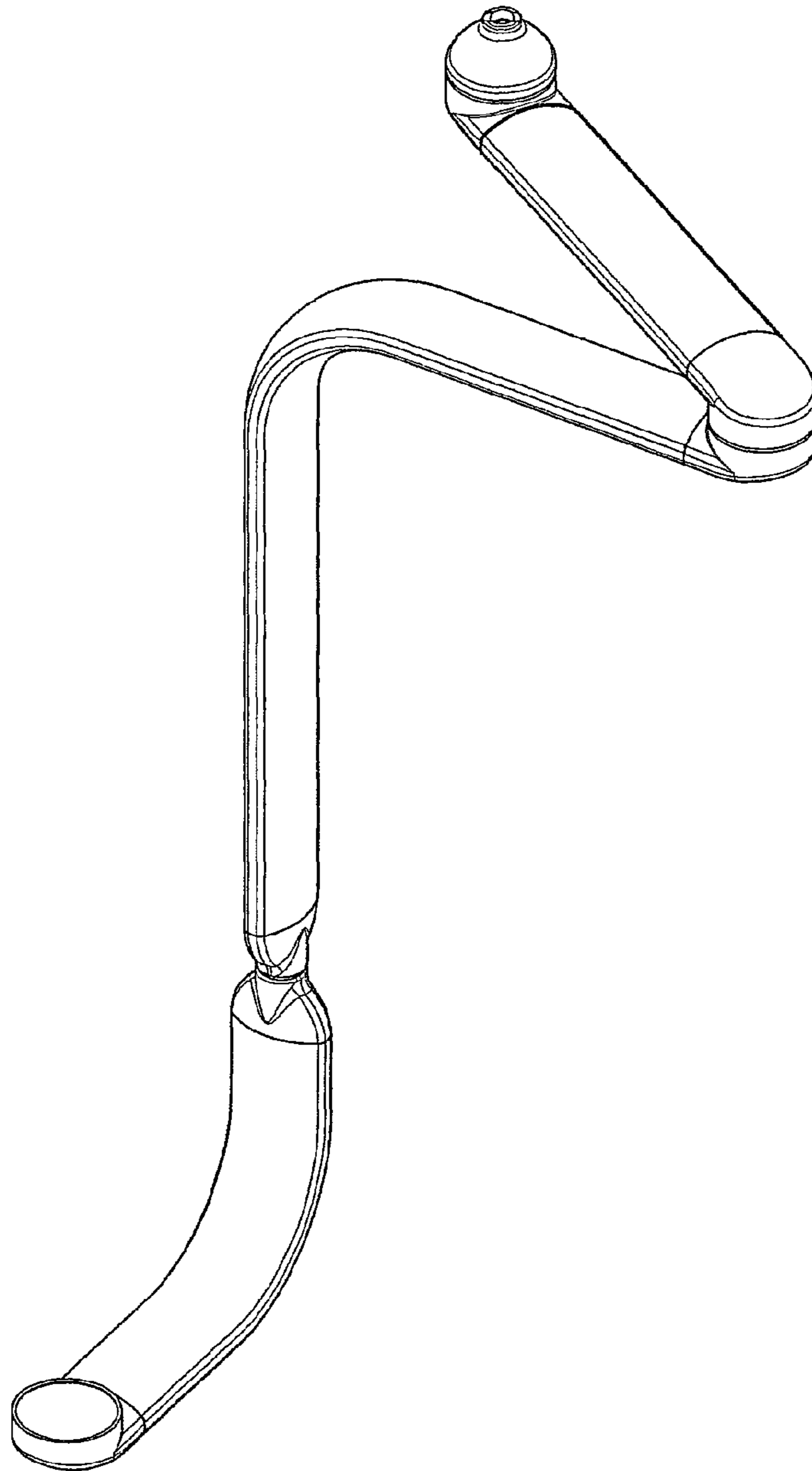


Figure 1

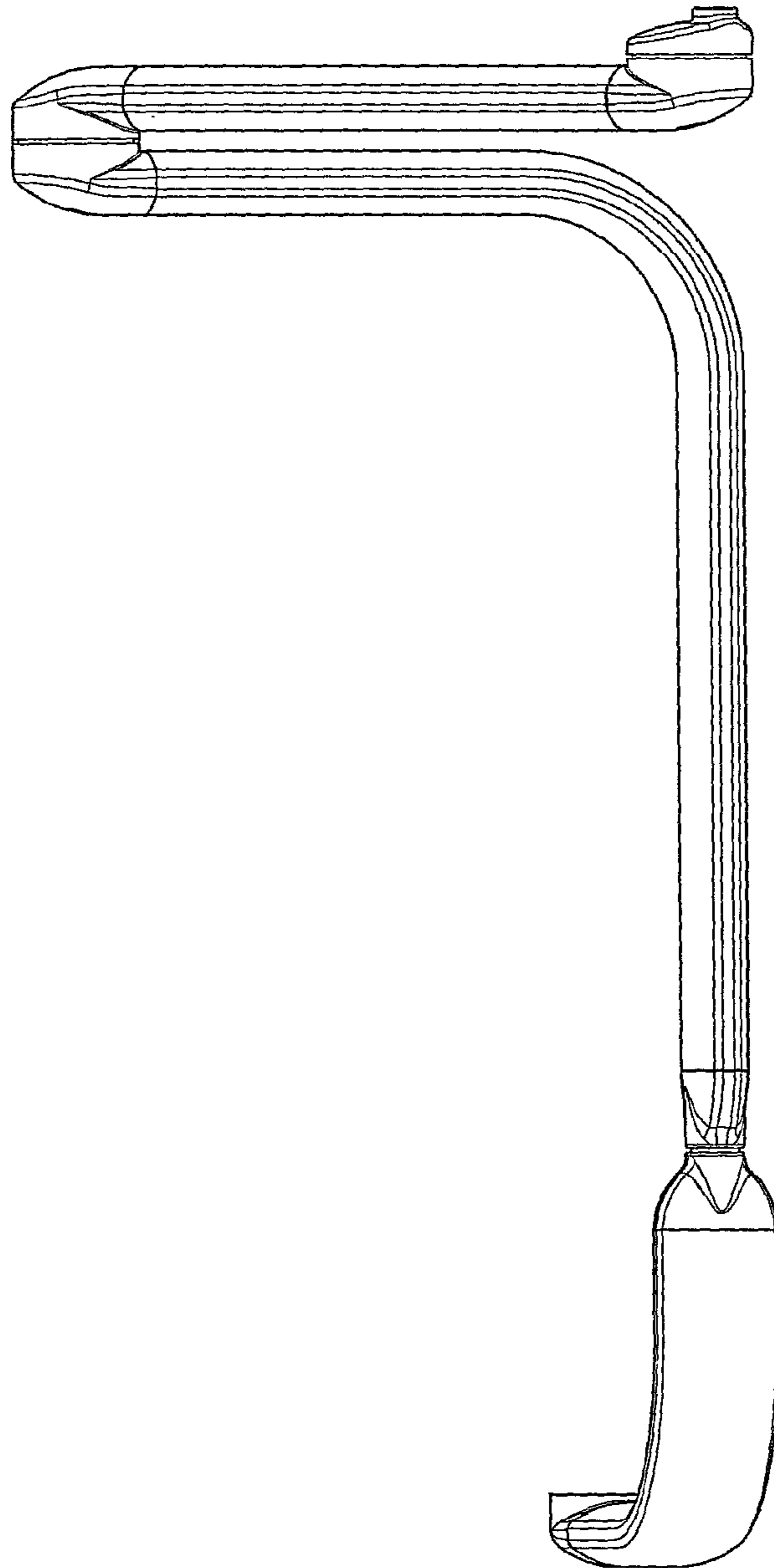


Figure 2

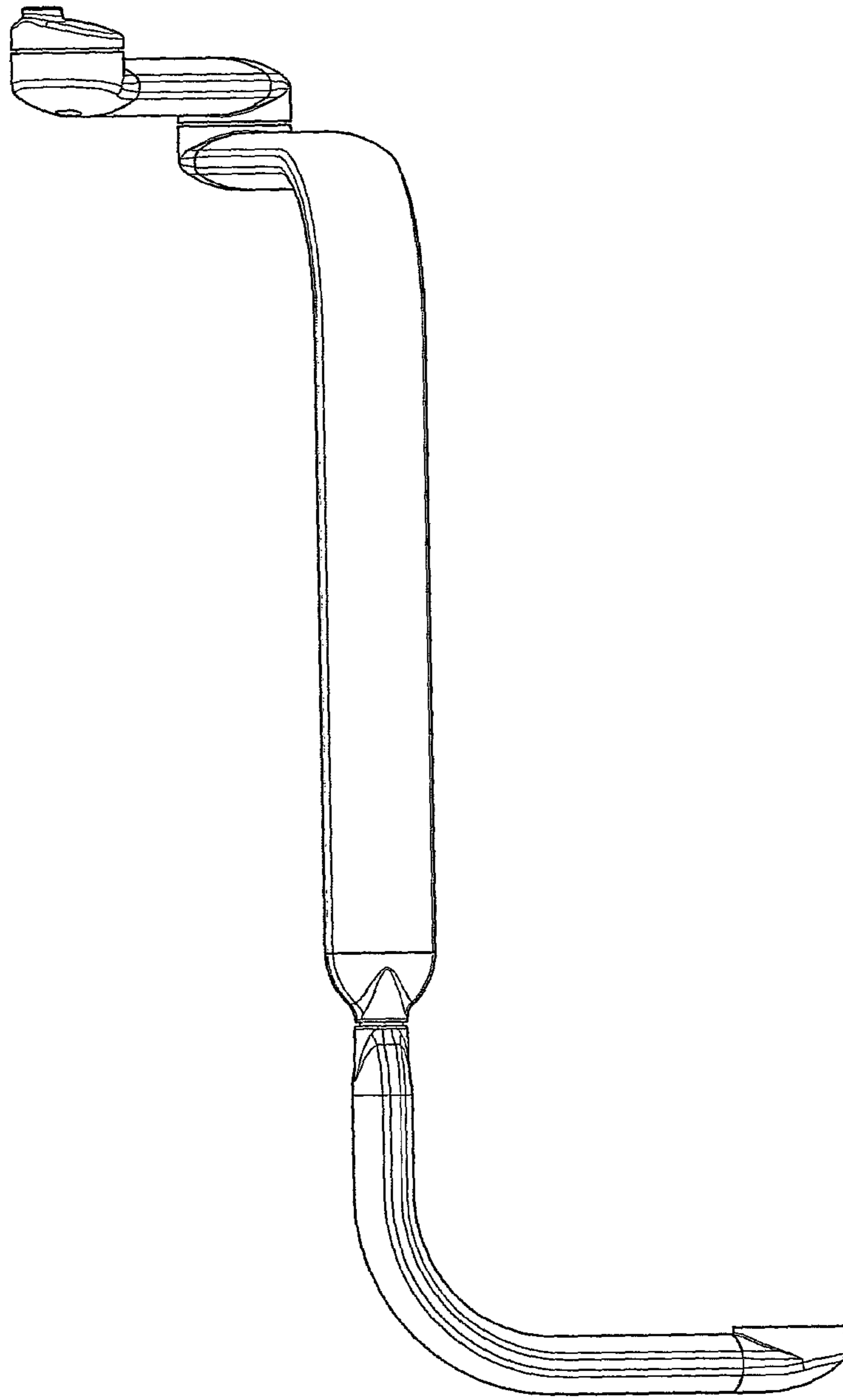


Figure 3

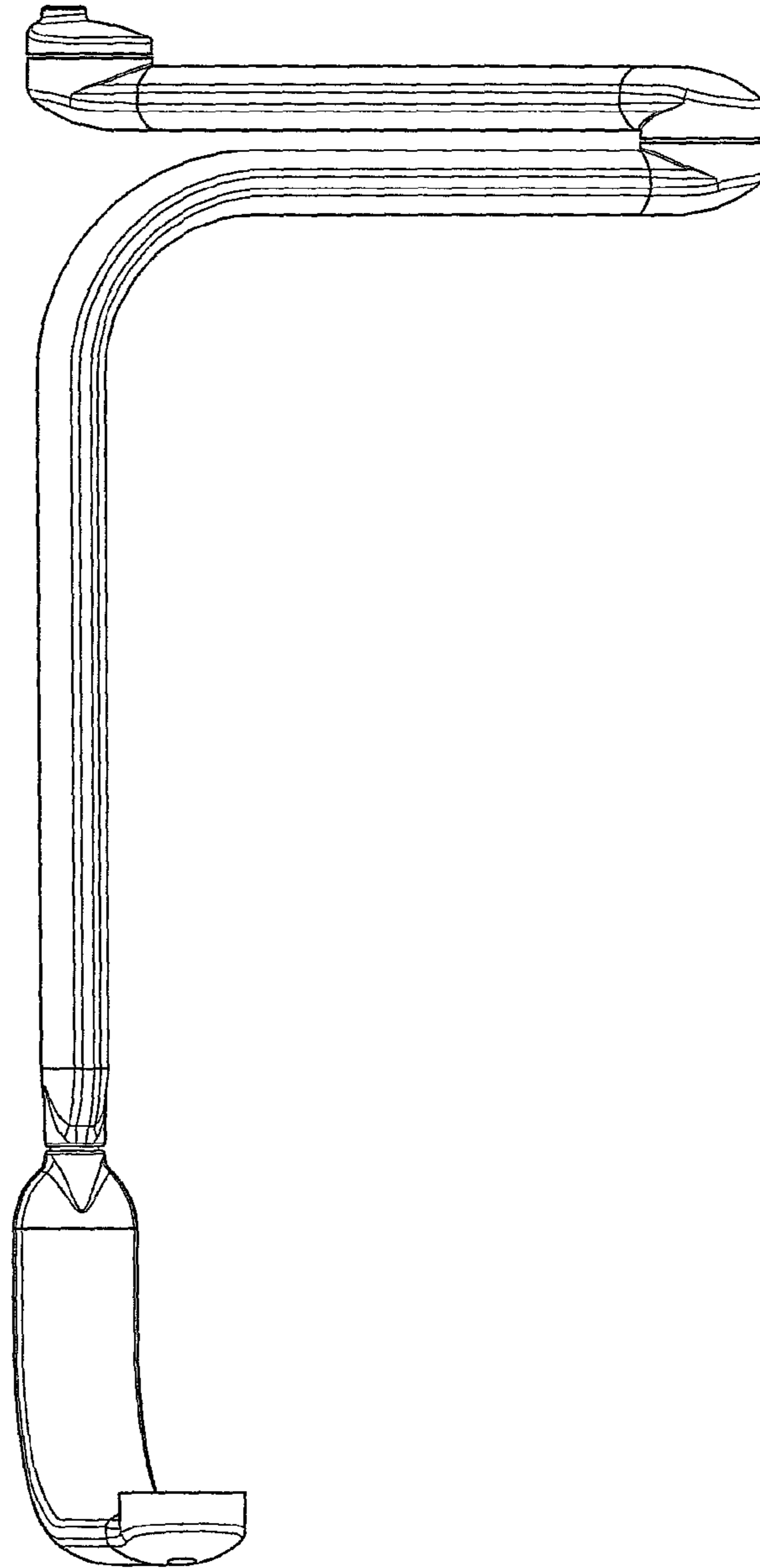


Figure 4

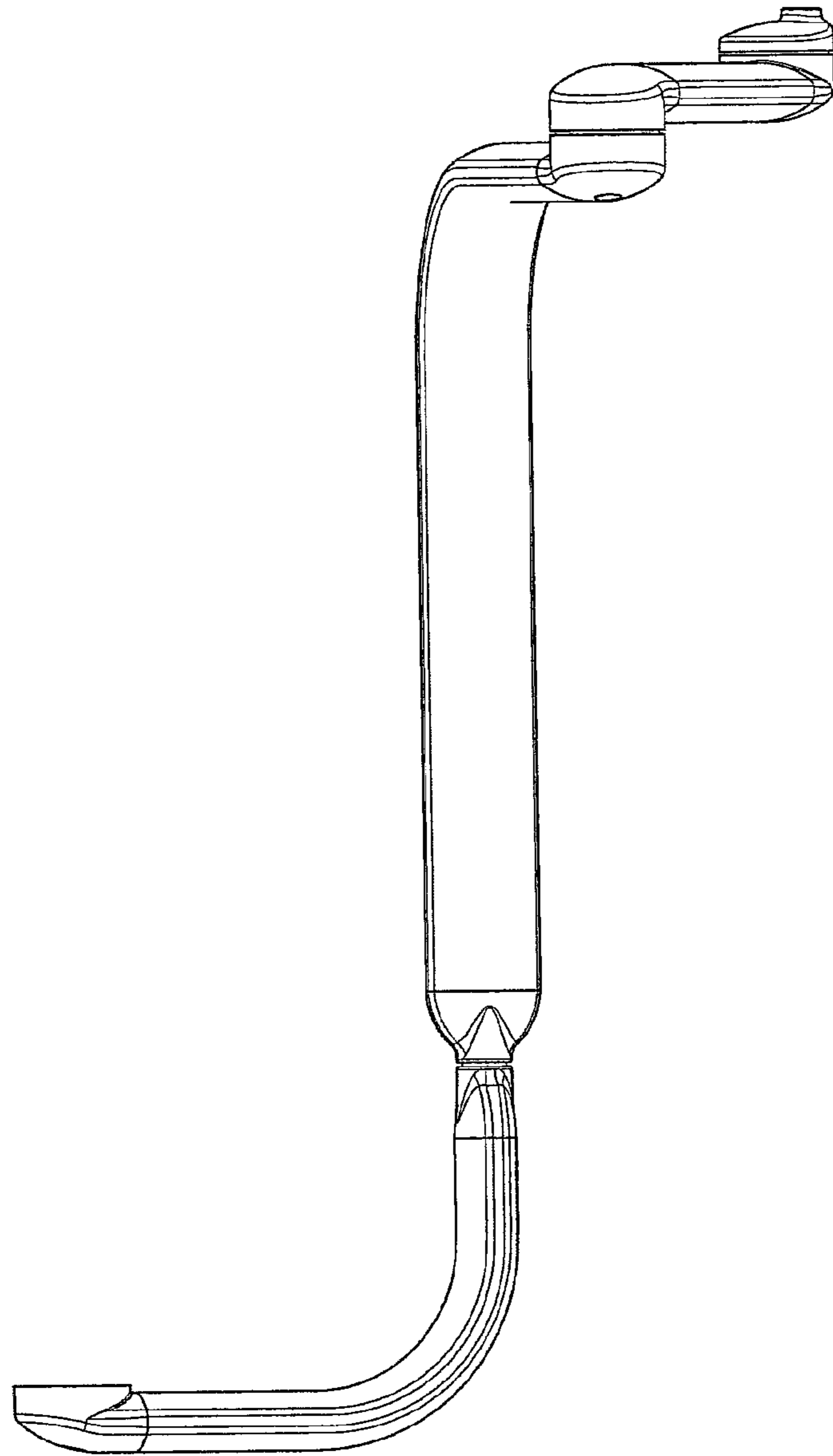


Figure 5

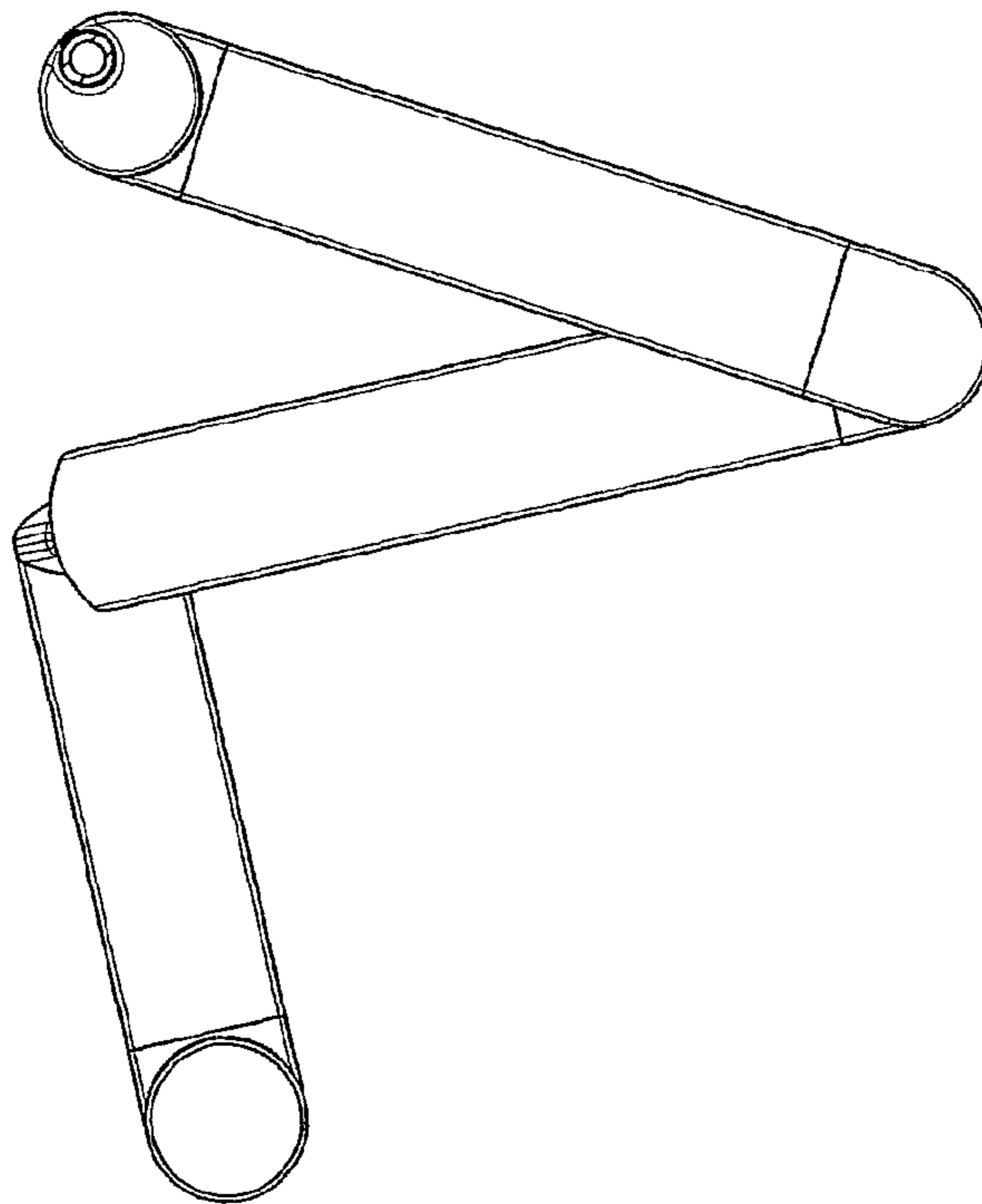


Figure 6

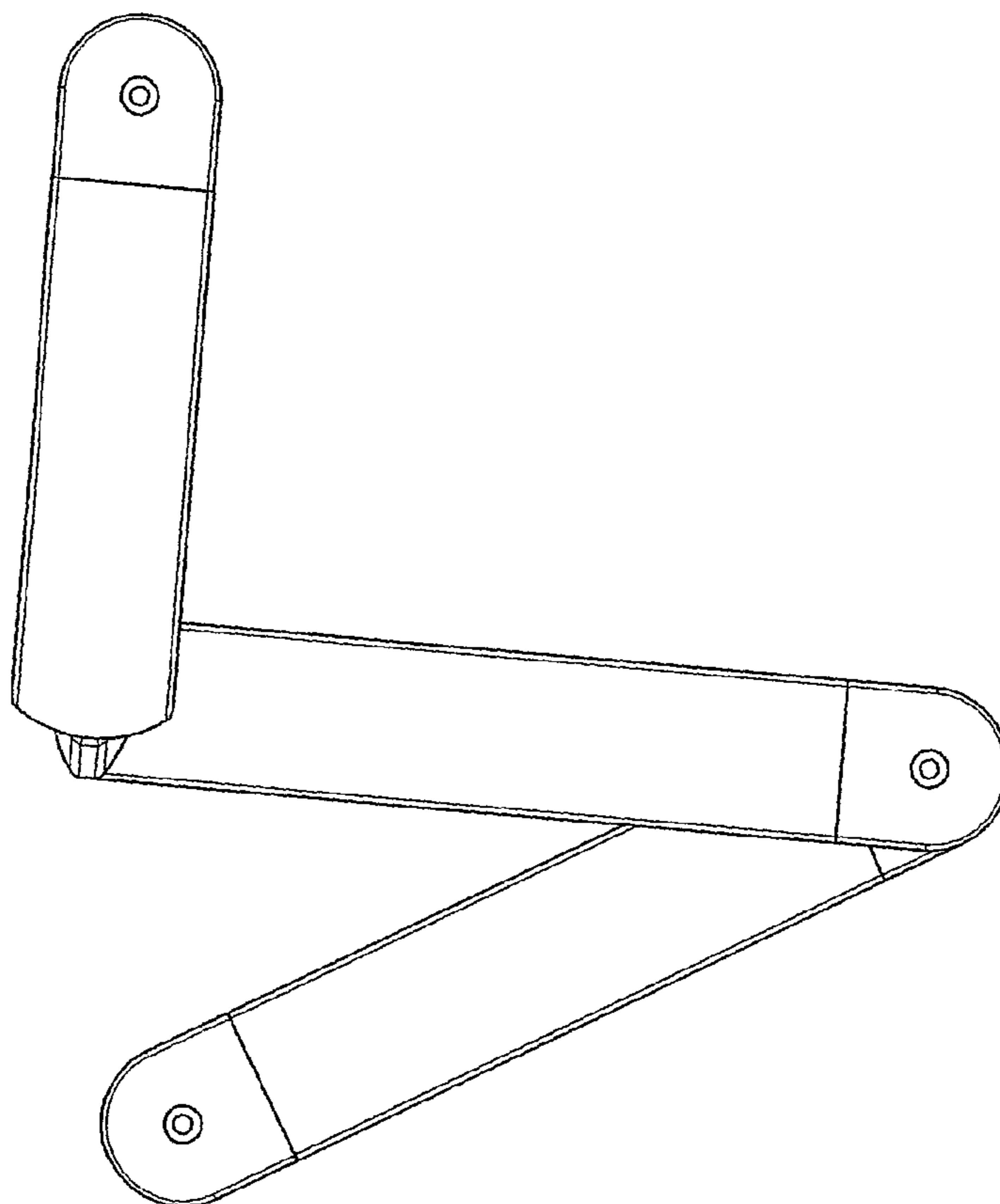


Figure 7