



US00D709199S

(12) **United States Design Patent**
Kambe et al.

(10) **Patent No.:** **US D709,199 S**
(45) **Date of Patent:** **** Jul. 15, 2014**

(54) **PERIMETER**

(75) Inventors: **Naoki Kambe**, Kanagawa (JP); **Takuya Hara**, Shizuoka (JP); **Atsushi Kakuuchi**, Shizuoka (JP)

(73) Assignee: **Kowa Company, Ltd**, Nagoya (JP)

(**) Term: **14 Years**

(21) Appl. No.: **29/392,570**

(22) Filed: **May 24, 2011**

(30) **Foreign Application Priority Data**

Dec. 17, 2010 (JP) 2010-030268

(51) **LOC (10) Cl.** **24-00**

(52) **U.S. Cl.**
USPC **D24/172**

(58) **Field of Classification Search**
USPC D24/143, 170, 164, 171, 172, 185, 234,
D24/221, 190, 186, 183, 188, 150; 351/224,
351/226
See application file for complete search history.

(56) **References Cited**

U.S. PATENT DOCUMENTS

4,045,130	A *	8/1977	Krahn	351/226
4,063,807	A *	12/1977	Gelius et al.	351/226
4,679,920	A *	7/1987	Takashi et al.	351/226
4,804,262	A *	2/1989	Katsuhiko et al.	351/226
2012/0224144	A1 *	9/2012	Takimoto et al.	351/224

OTHER PUBLICATIONS

- <http://www.medicalexpo.com/cat/ophthalmology/ophthalmic-perimeters-F-150.html>.*
- http://www.lakelandweb.net/floridaeye/products_perimeters.htm.*
- <http://www.kanghuua.com/perimeter/801742.html>.*
- <http://www.alibaba.com/showroom/ophthalmic-perimeter.html>.*

* cited by examiner

Primary Examiner — Robert M Spear

Assistant Examiner — Rhea Shields

(74) *Attorney, Agent, or Firm* — Bacon & Thomas, PLLC

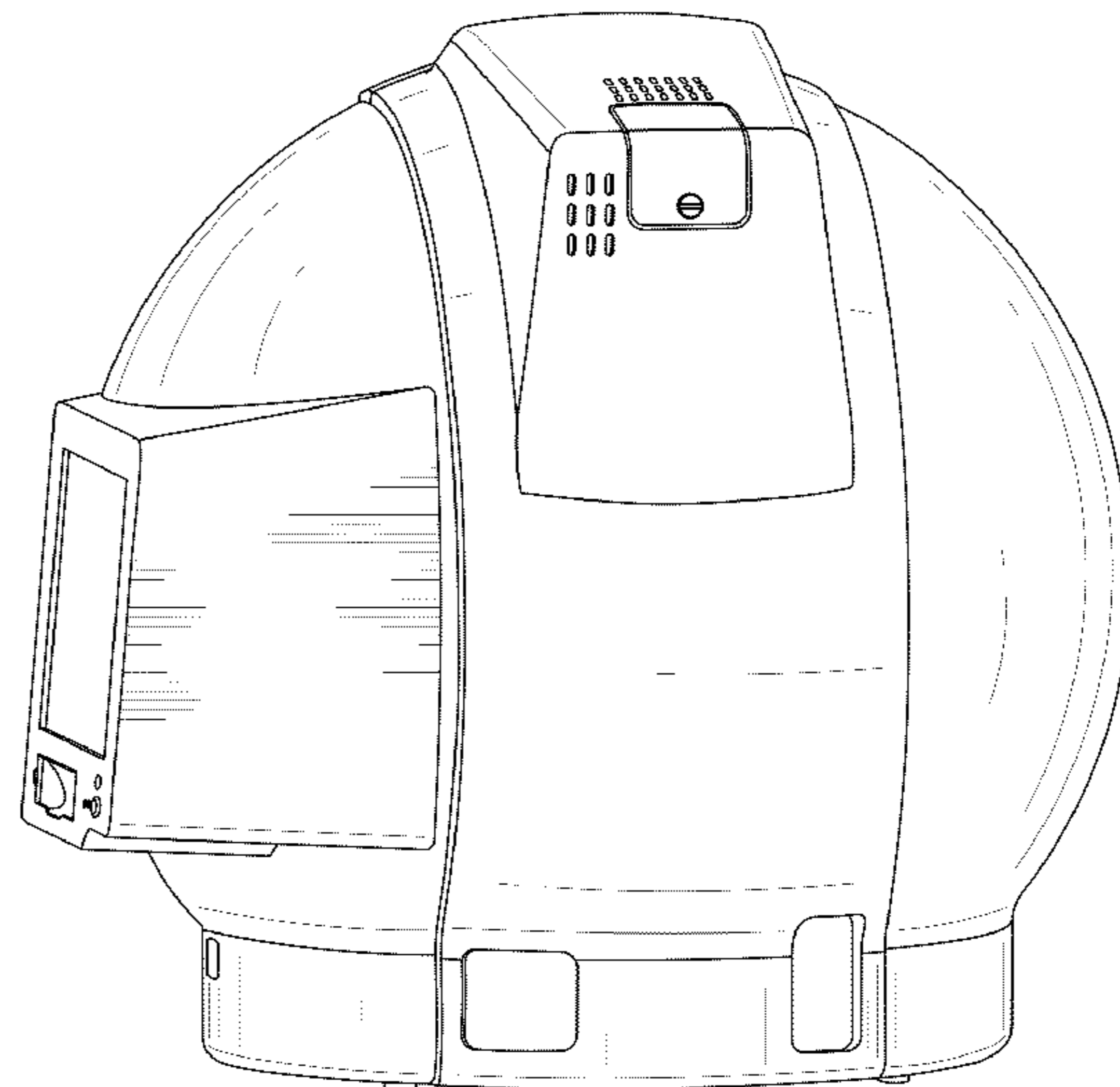
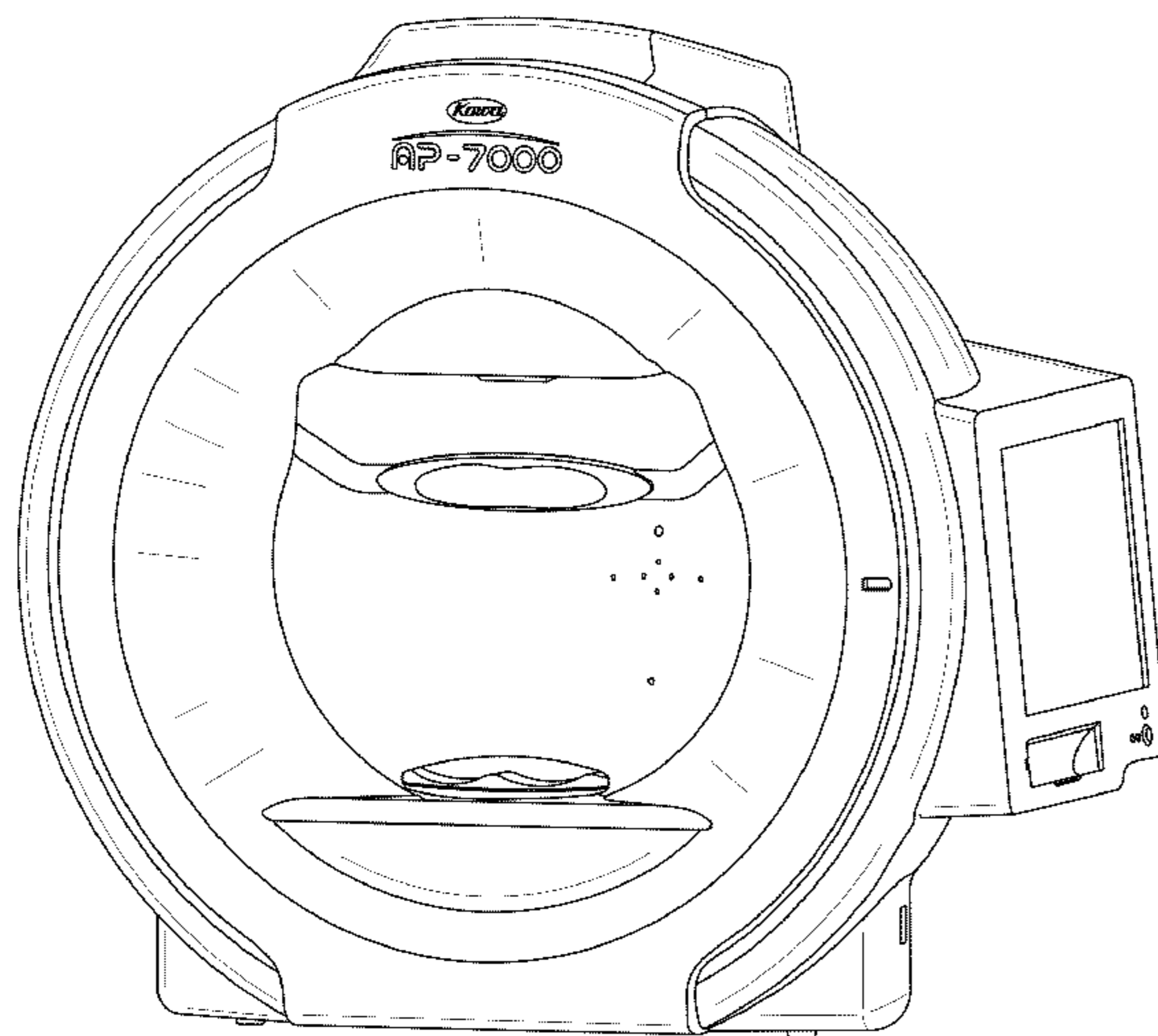
(57) **CLAIM**

The ornamental design for perimeter, as shown and described.

DESCRIPTION

FIG. 1 is a left front perspective view of our design for a perimeter;
 FIG. 2 is a left rear perspective view thereof;
 FIG. 3 is a front elevation view thereof;
 FIG. 4 is a rear view thereof;
 FIG. 5 is a right side view thereof;
 FIG. 6 is a left side view thereof;
 FIG. 7 is a top plan view thereof;
 FIG. 8 is a bottom view thereof;
 FIG. 9 is a section view taken along line 9-9 of FIG. 3;
 FIG. 10 is a section view taken along line 10-10 of FIG. 3;
 and,
 FIG. 11 is a section view taken along line 11-11 of FIG. 5.
 The broken lines illustrate environmental subject matter and form no part of the claimed design.

1 Claim, 11 Drawing Sheets



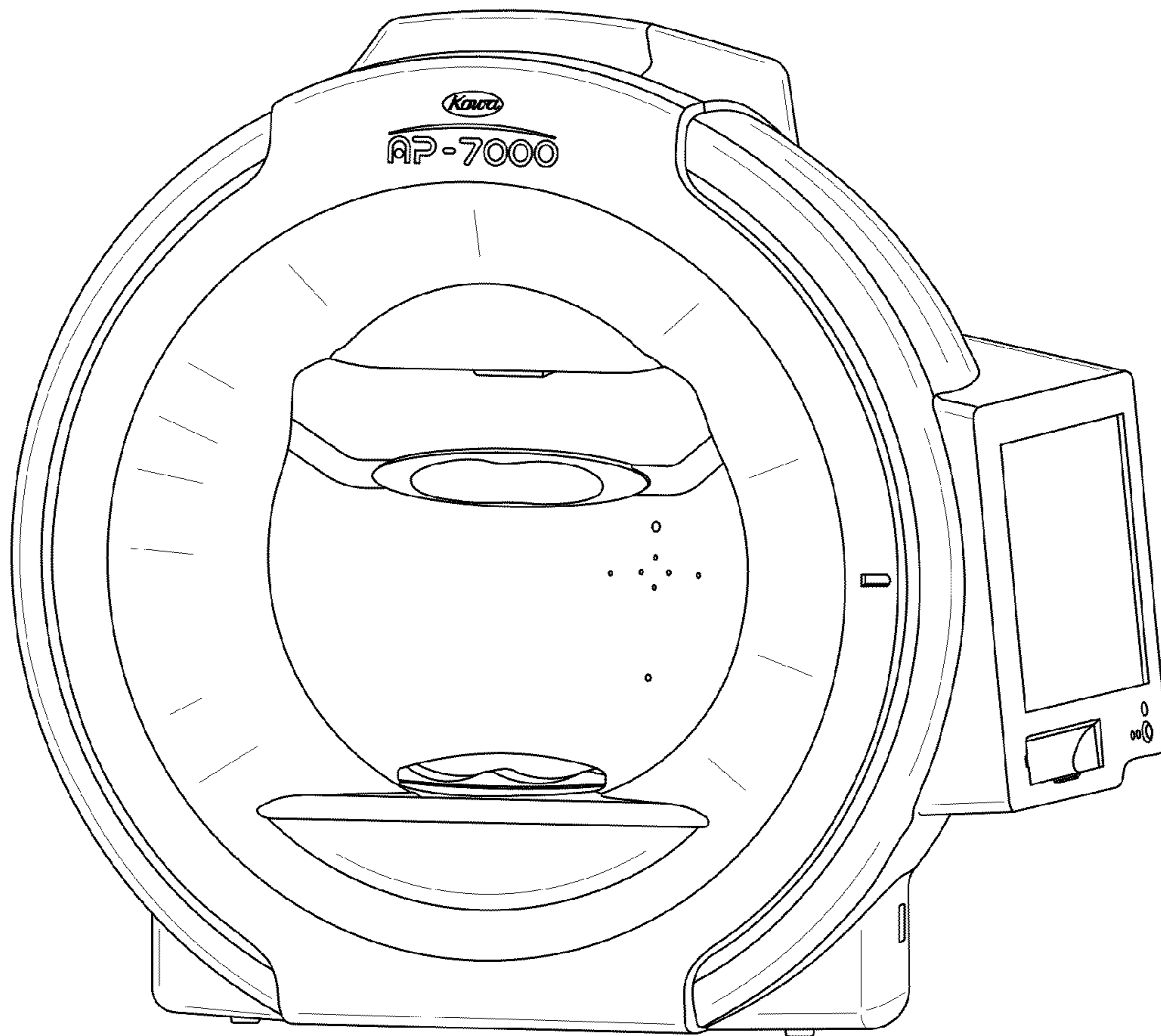


FIGURE 1

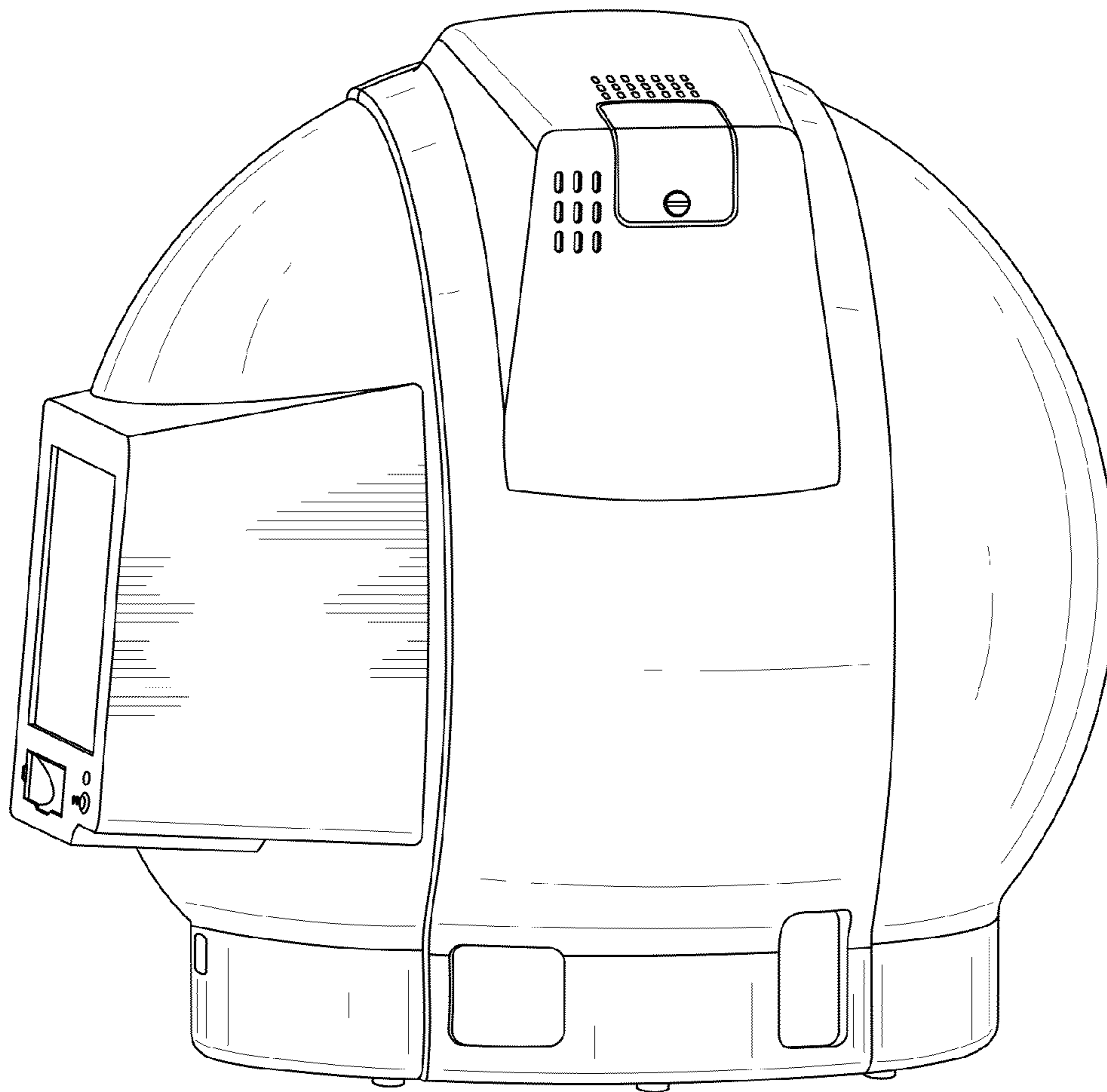


FIGURE 2

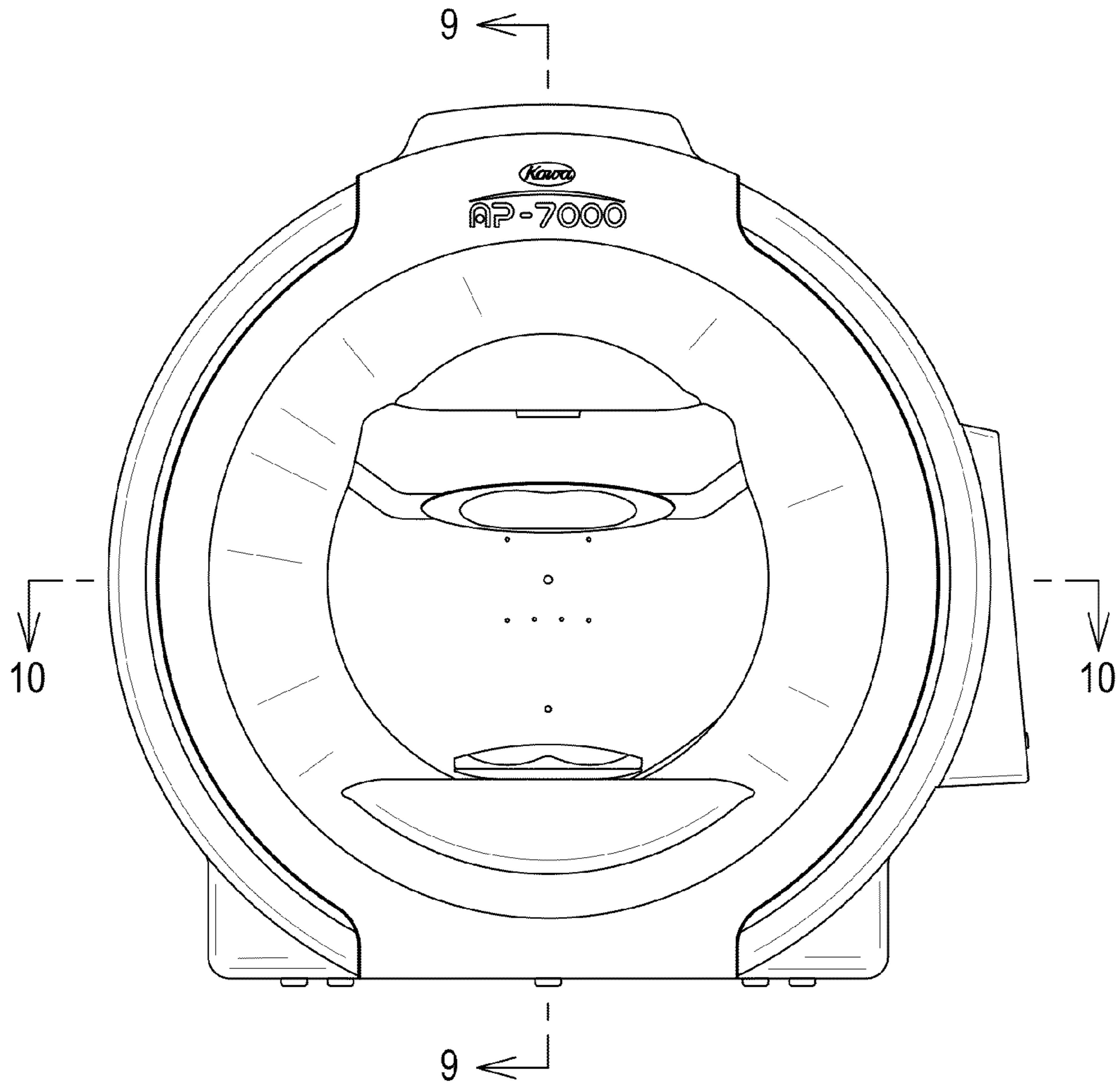


FIGURE 3

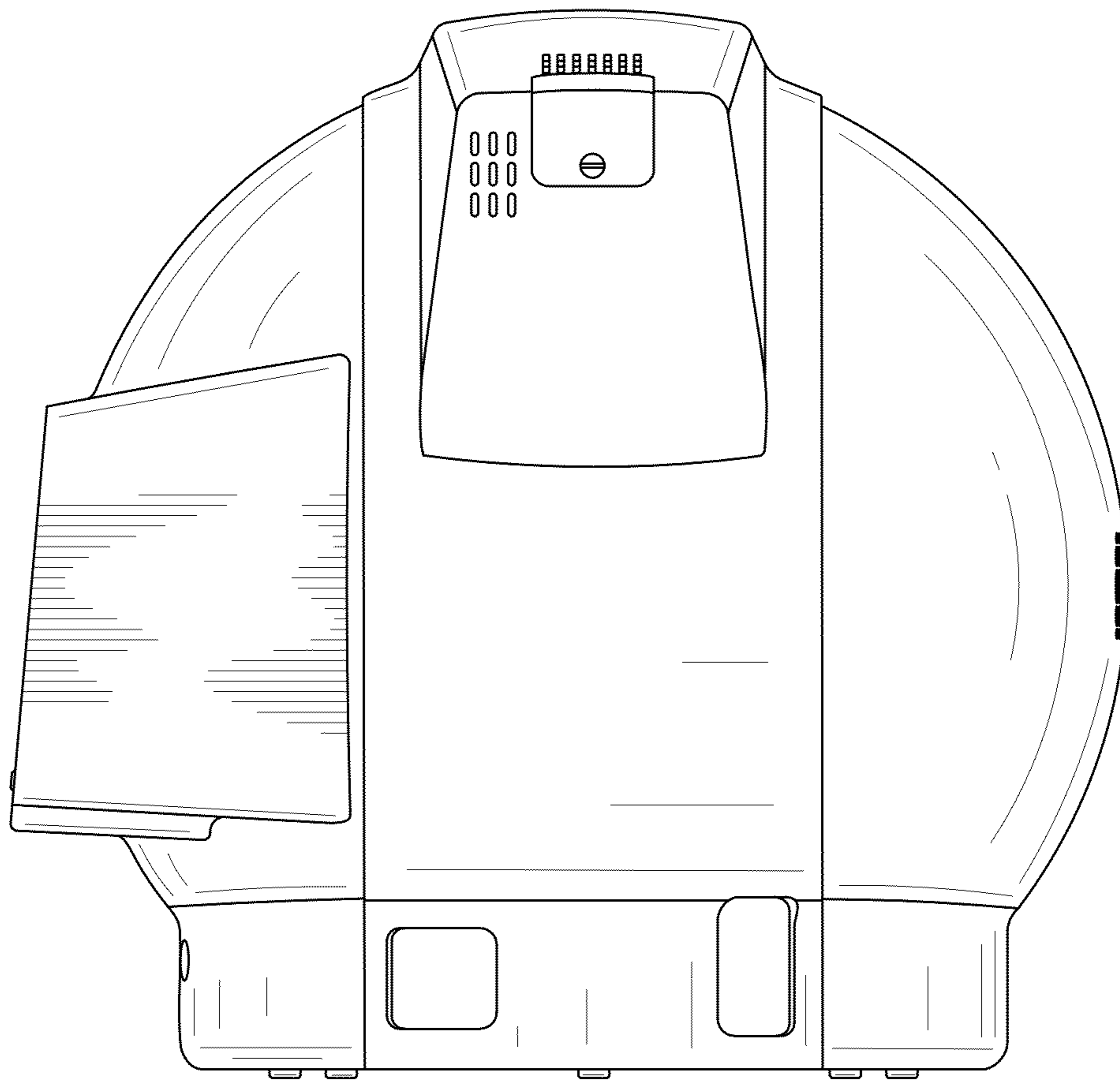


FIGURE 4

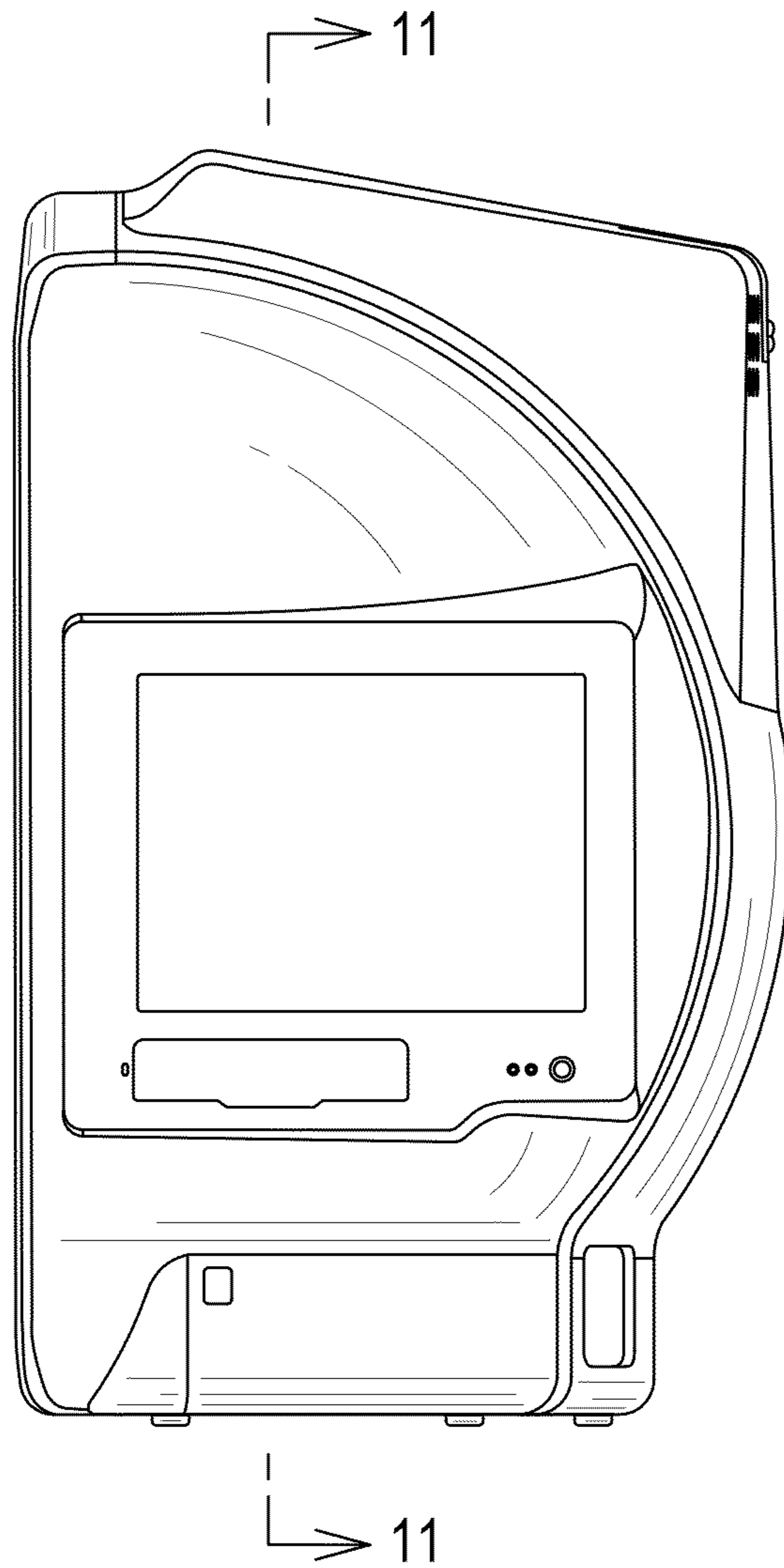


FIGURE 5

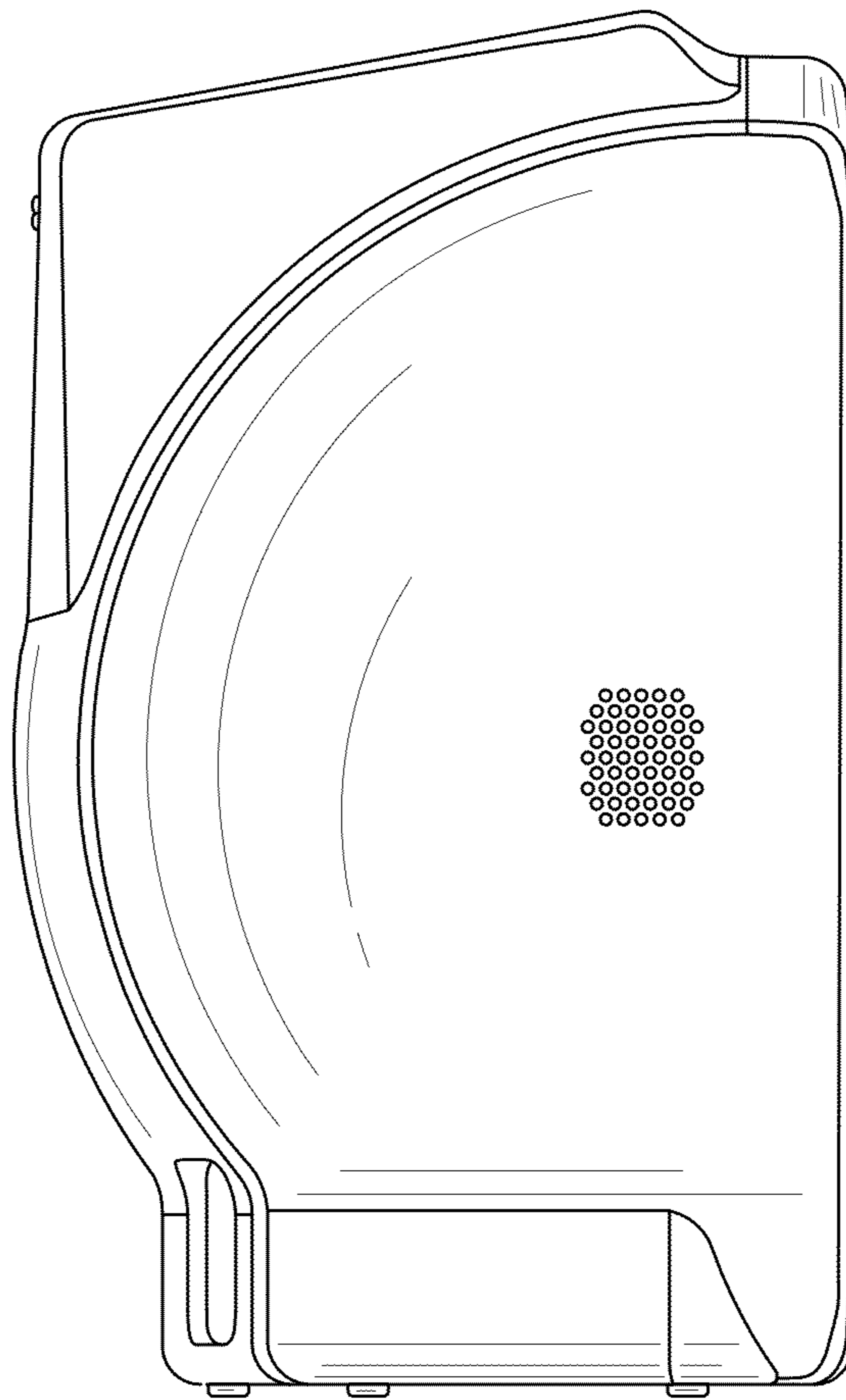


FIGURE 6

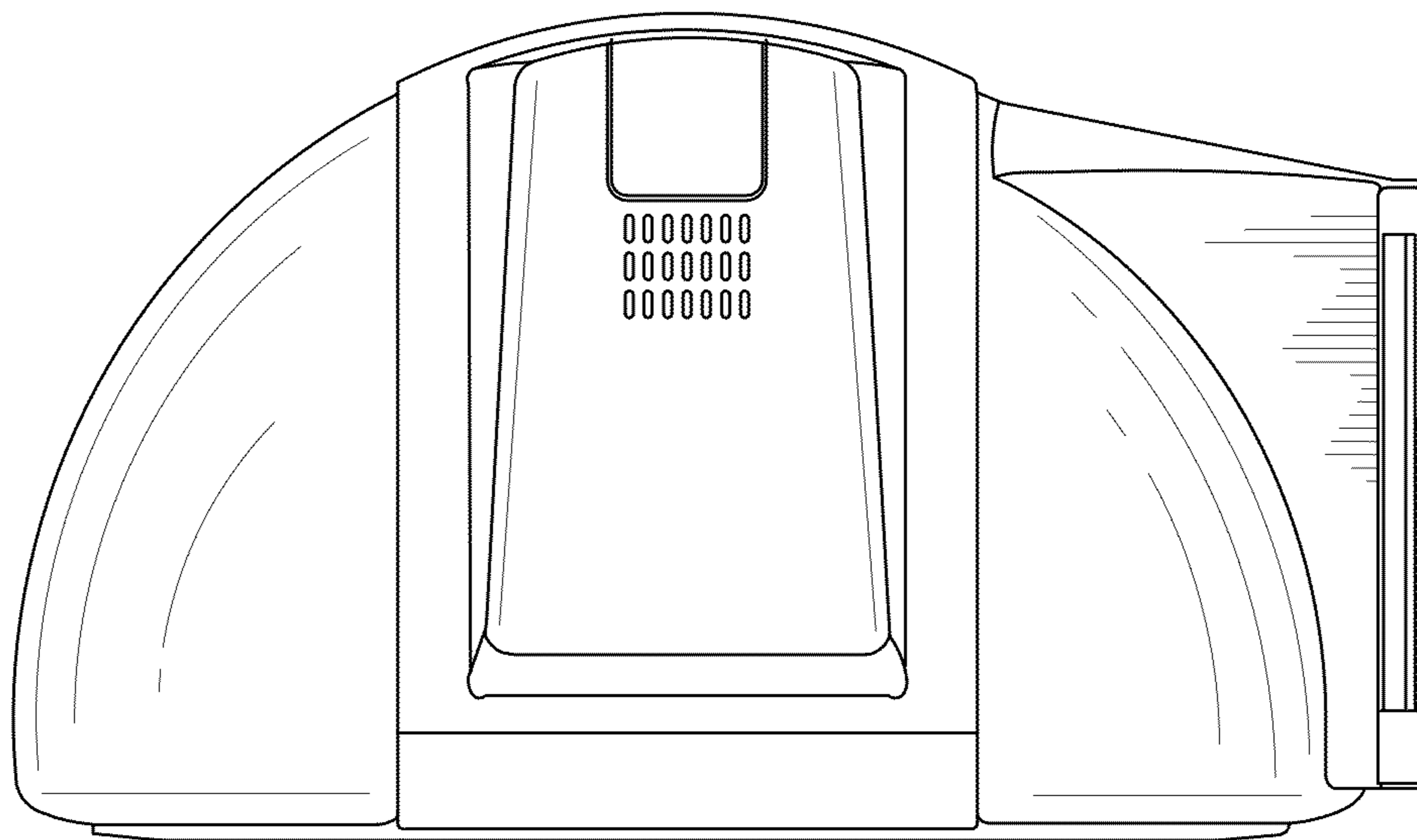


FIGURE 7

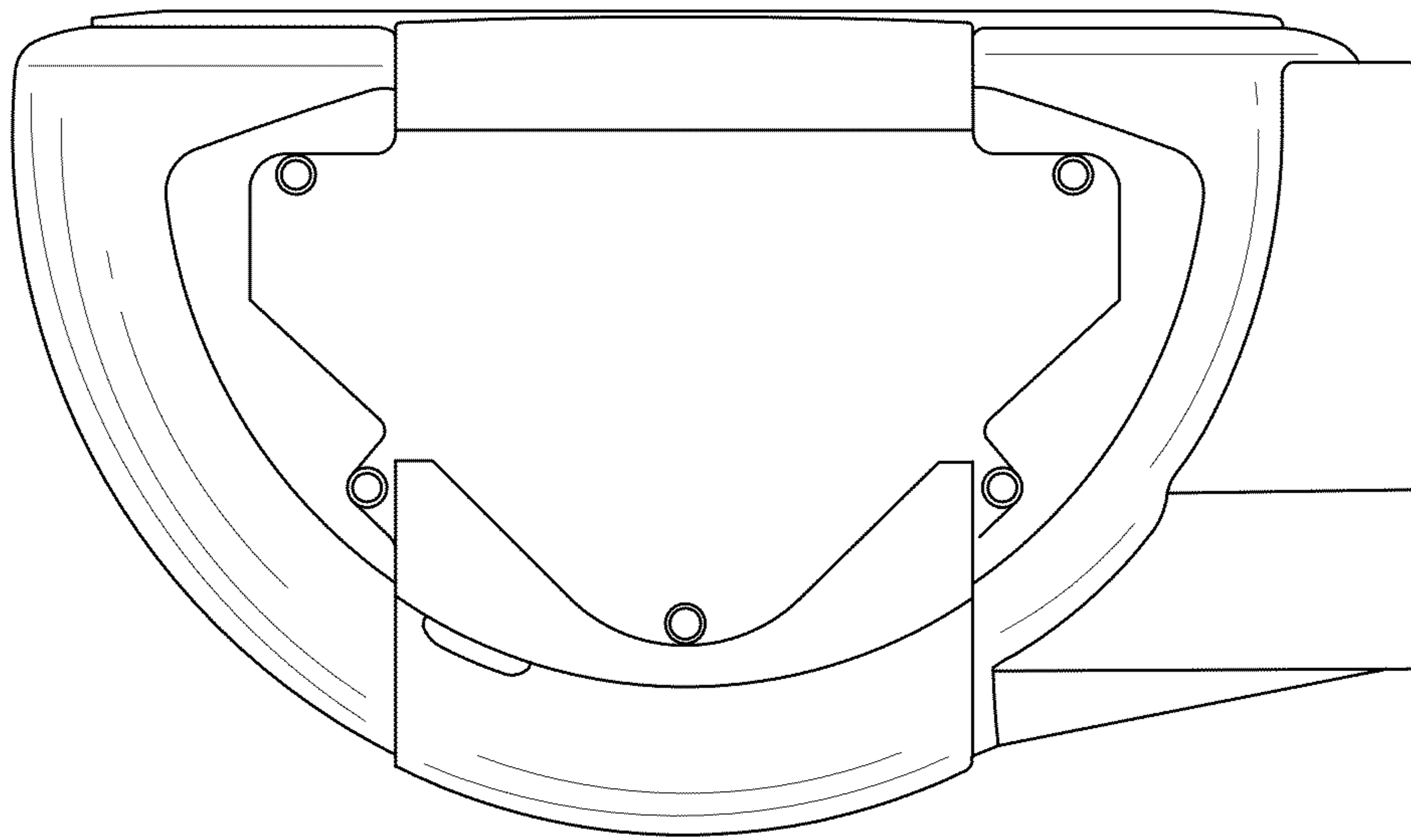


FIGURE 8

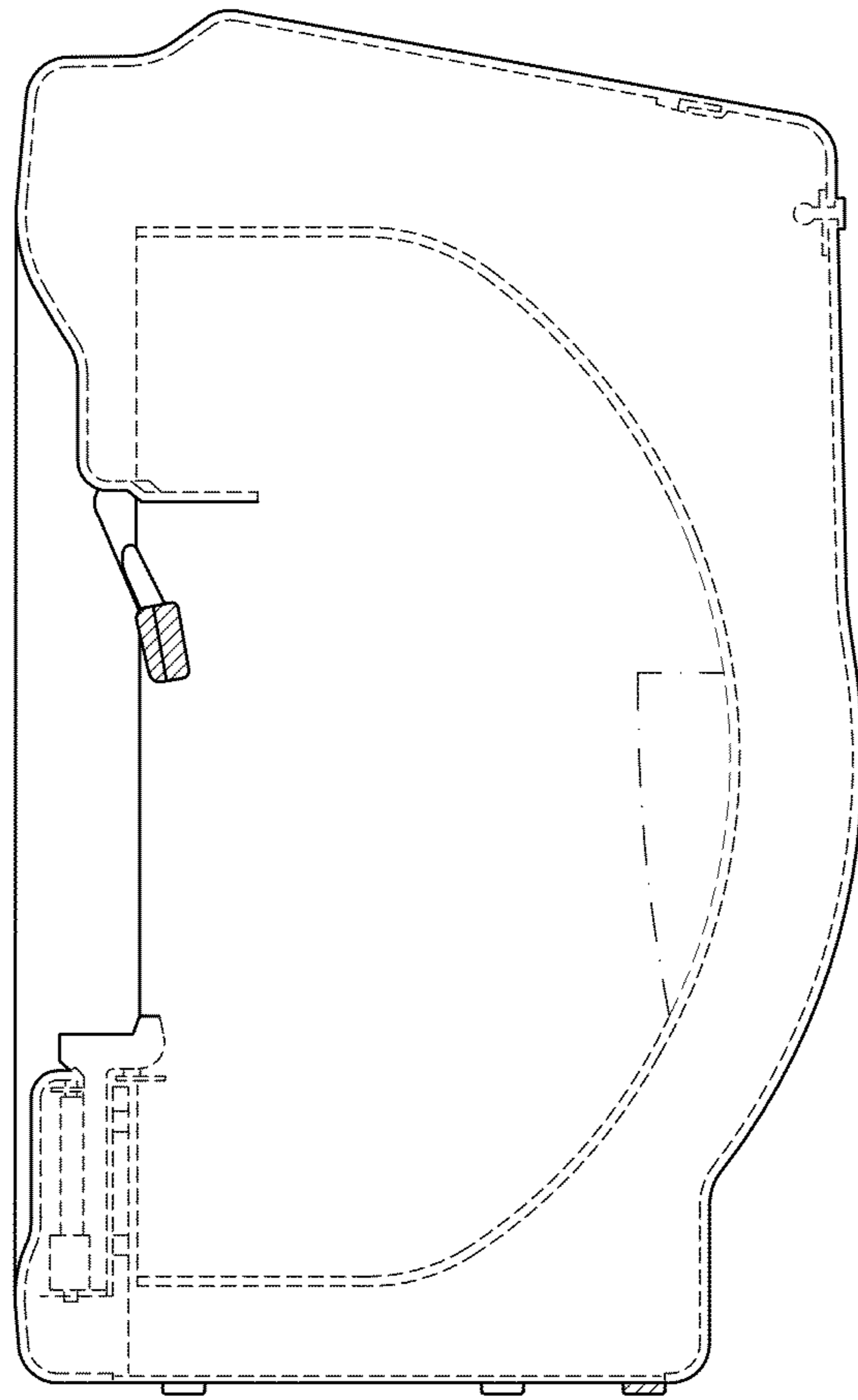


FIGURE 9

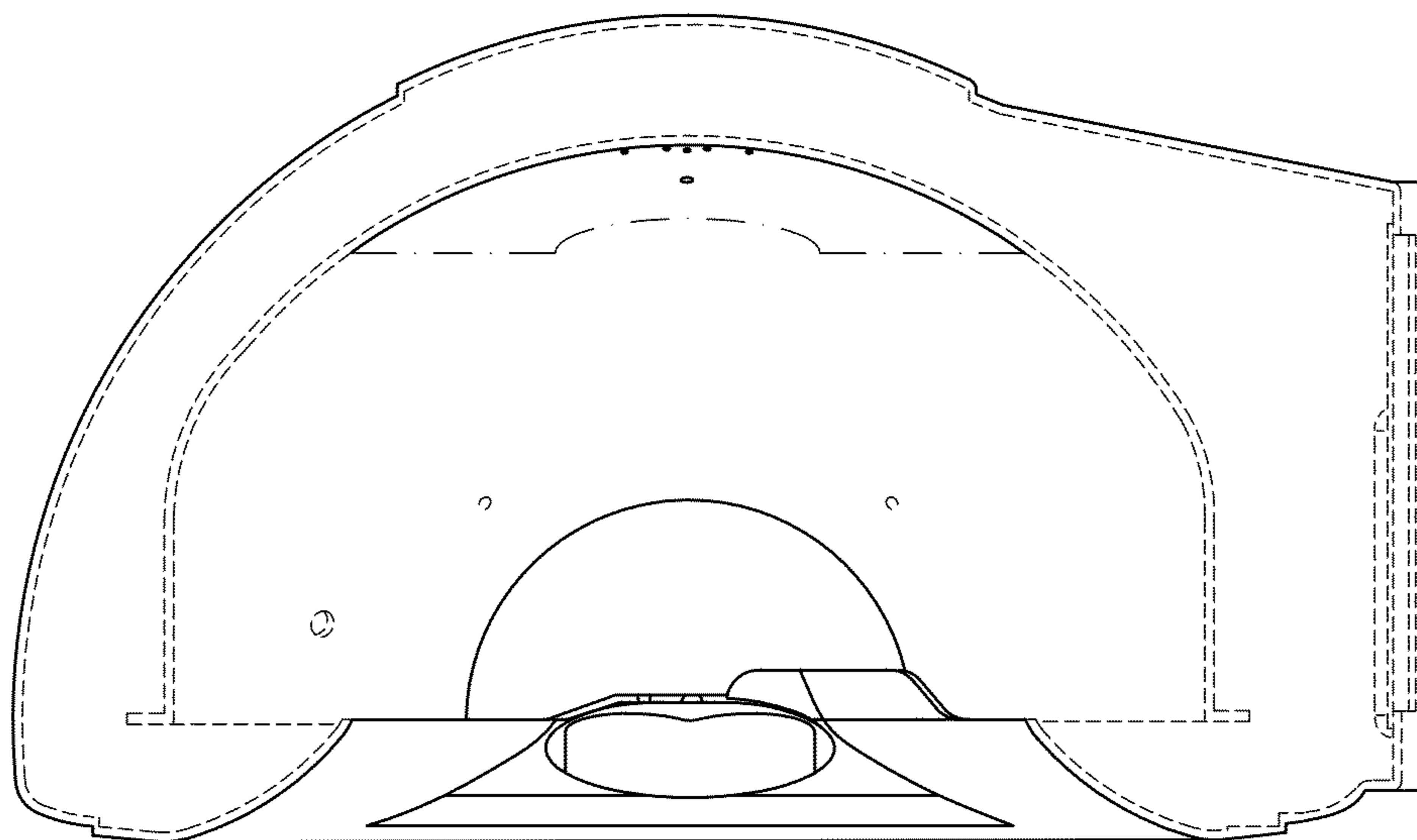


FIGURE 10

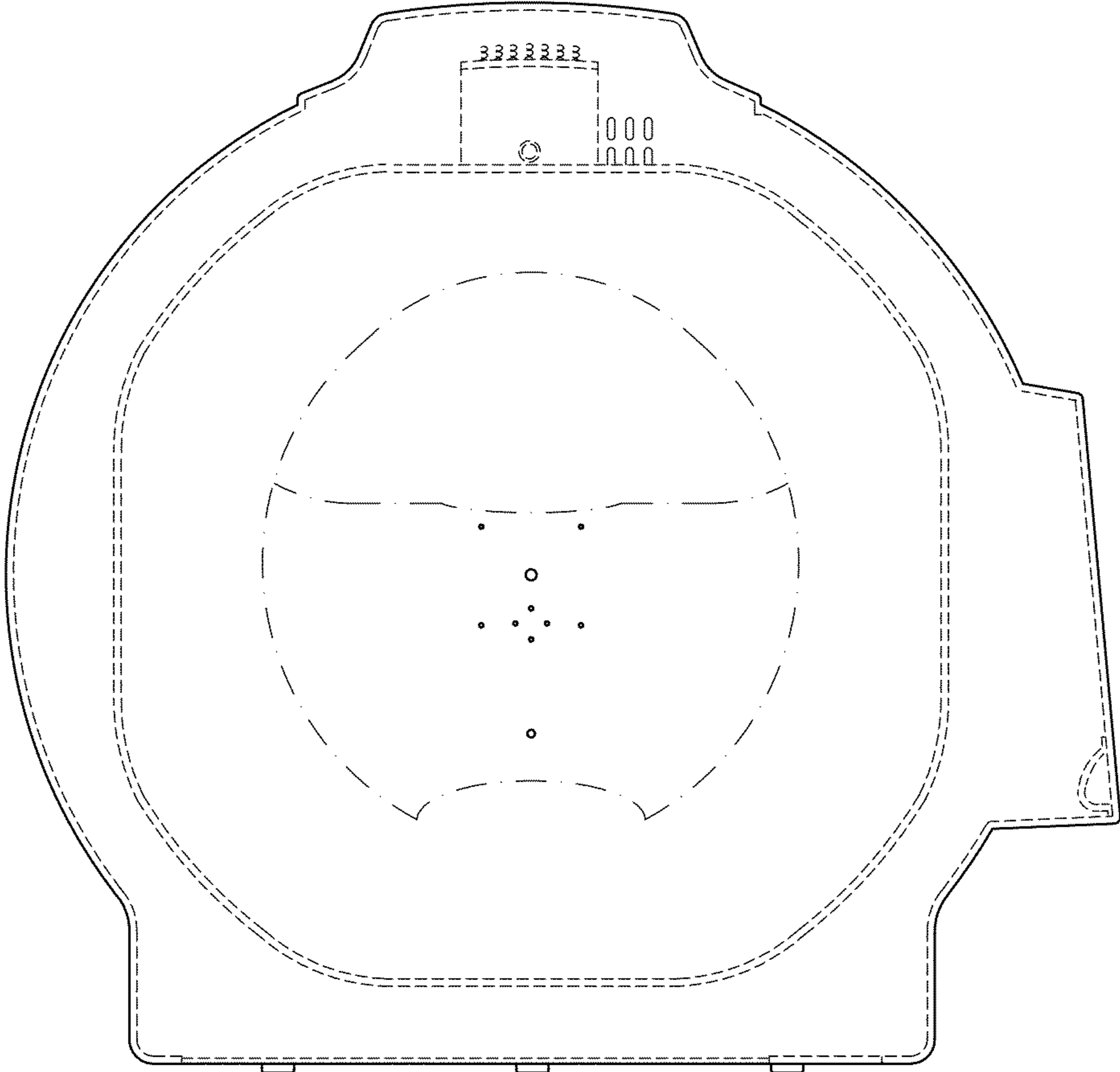


FIGURE 11