



US00D709198S

(12) **United States Design Patent**
Murai

(10) **Patent No.:** **US D709,198 S**
(45) **Date of Patent:** **** Jul. 15, 2014**

(54) **CONNECTOR FOR BLOOD CIRCUIT**

FOREIGN PATENT DOCUMENTS

(75) Inventor: **Koichi Murai**, Osaka (JP)
(73) Assignee: **Nipro Corporation**, Osaka (JP)
(**) Term: **14 Years**

JP 1382532 S 3/2010
JP 1382533 S 3/2010
JP 2011-55911 A 3/2011

(21) Appl. No.: **29/429,983**
(22) Filed: **Aug. 20, 2012**

OTHER PUBLICATIONS

Gmedica International Ltd., Notification of Reason(s) for Refusal (OA) concerning the basic application of Japanese Design Application No. D2012-003524 with an English translation thereof; and a cited reference of the OA, (Catalogue "Dialysis Components Pump Connectors"), Nov. 30, 2006, Jul. 23, 2012 (Dispatch date of the OA).

(30) **Foreign Application Priority Data**

Feb. 21, 2012 (JP) D2012-003524

* cited by examiner

(51) **LOC (10) CL.** **24-01**

Primary Examiner — Anhdao Doan

(52) **U.S. Cl.**
USPC **D24/169**

(74) *Attorney, Agent, or Firm* — Birch, Stewart, Kolasch & Birch, LLP

(58) **Field of Classification Search**
USPC D24/107, 108, 127, 129, 169; 604/4.01,
604/6.16, 83, 256
See application file for complete search history.

(57) **CLAIM**

The ornamental design for a connector for blood circuit, as shown and described.

(56) **References Cited**

DESCRIPTION

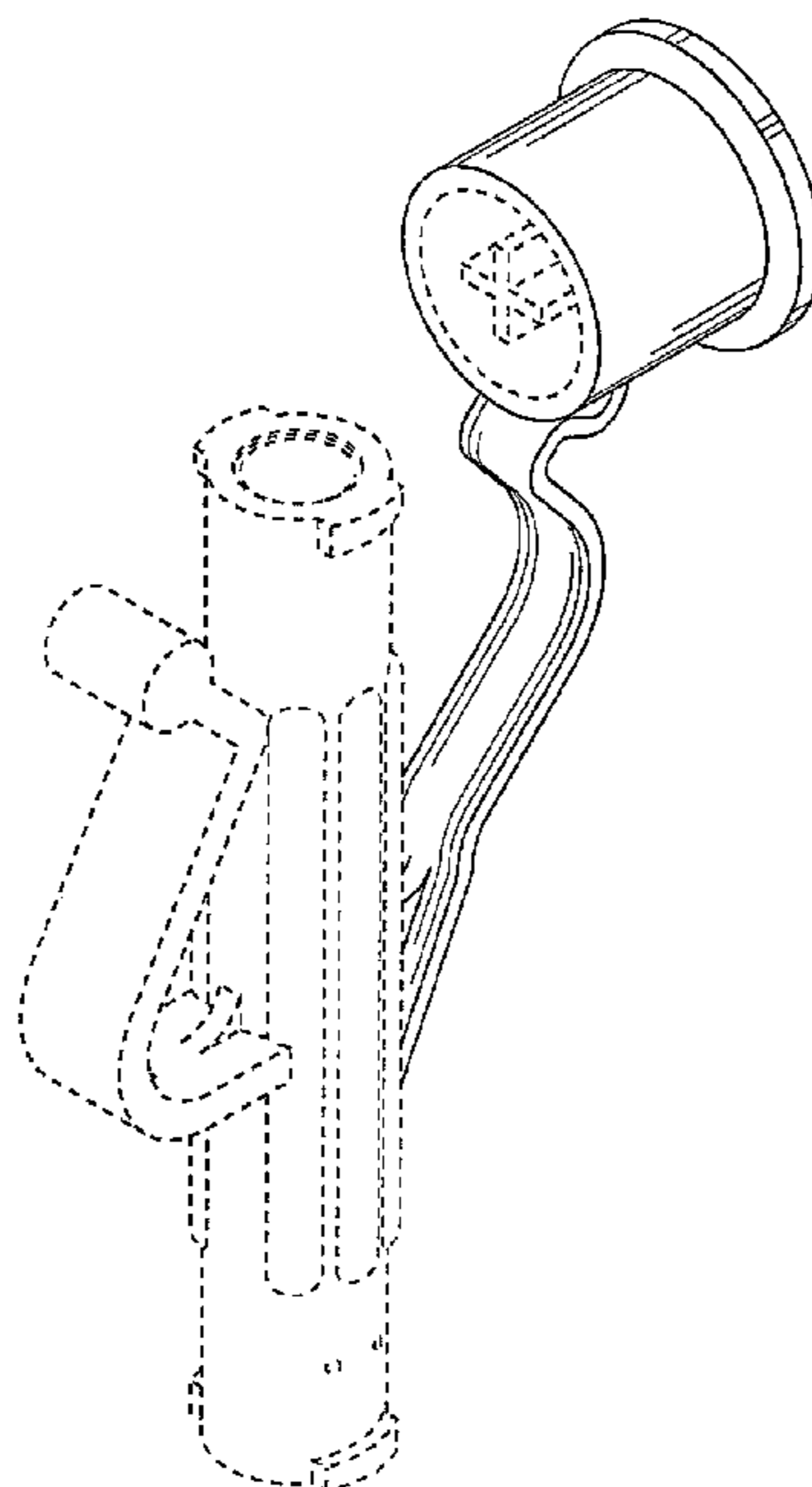
U.S. PATENT DOCUMENTS

3,741,217 A * 6/1973 Ciarico 604/256
4,560,378 A * 12/1985 Weiland 604/83
D308,576 S * 6/1990 Iversen D24/129
D340,285 S * 10/1993 Herweck et al. D24/169
D360,030 S * 7/1995 Michels et al. D24/129
5,674,209 A * 10/1997 Yarger 604/540
5,693,008 A * 12/1997 Brugger et al. 604/4.01
D408,079 S * 4/1999 Ellis D24/108
D448,848 S * 10/2001 Clark et al. D24/129
D606,198 S * 12/2009 Collins et al. D24/169
D644,317 S * 8/2011 Tsao D24/108
2005/0148924 A1 * 7/2005 Goehl et al. 604/6.16
2010/0256547 A1 * 10/2010 Ribolzi et al. 604/7

FIG. 1 is a perspective view of a connector for blood circuit; FIG. 2 is a front view thereof; FIG. 3 is a rear view thereof; FIG. 4 is a left side view thereof; FIG. 5 is a right side view thereof; FIG. 6 is a top view thereof; FIG. 7 is a bottom view thereof; and, FIG. 8 is a front view thereof showing a condition the cap closed.

The portion shown by broken lines is for illustrative purposes only and forms no part of the claimed design.

1 Claim, 6 Drawing Sheets



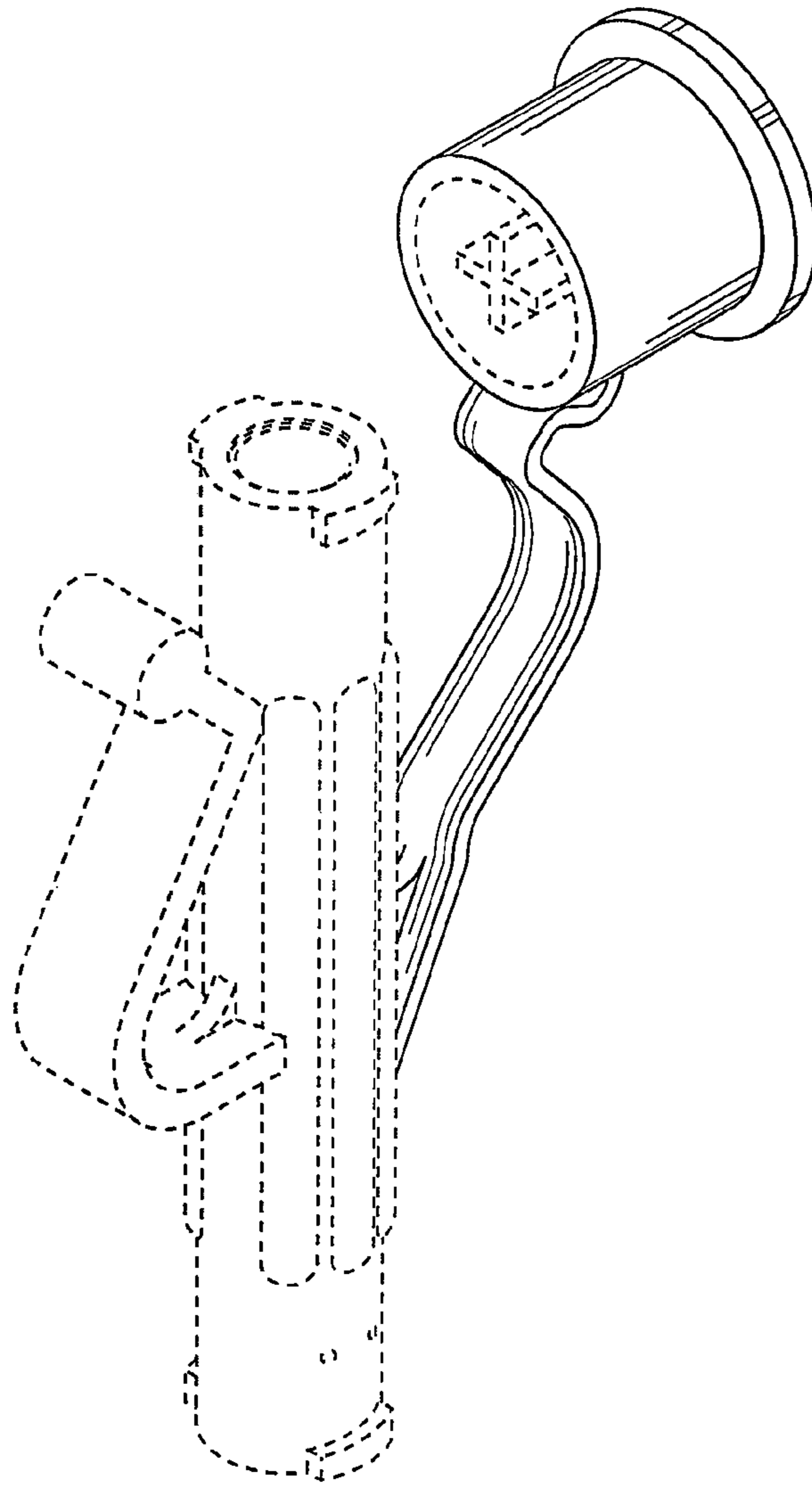


FIG. 1

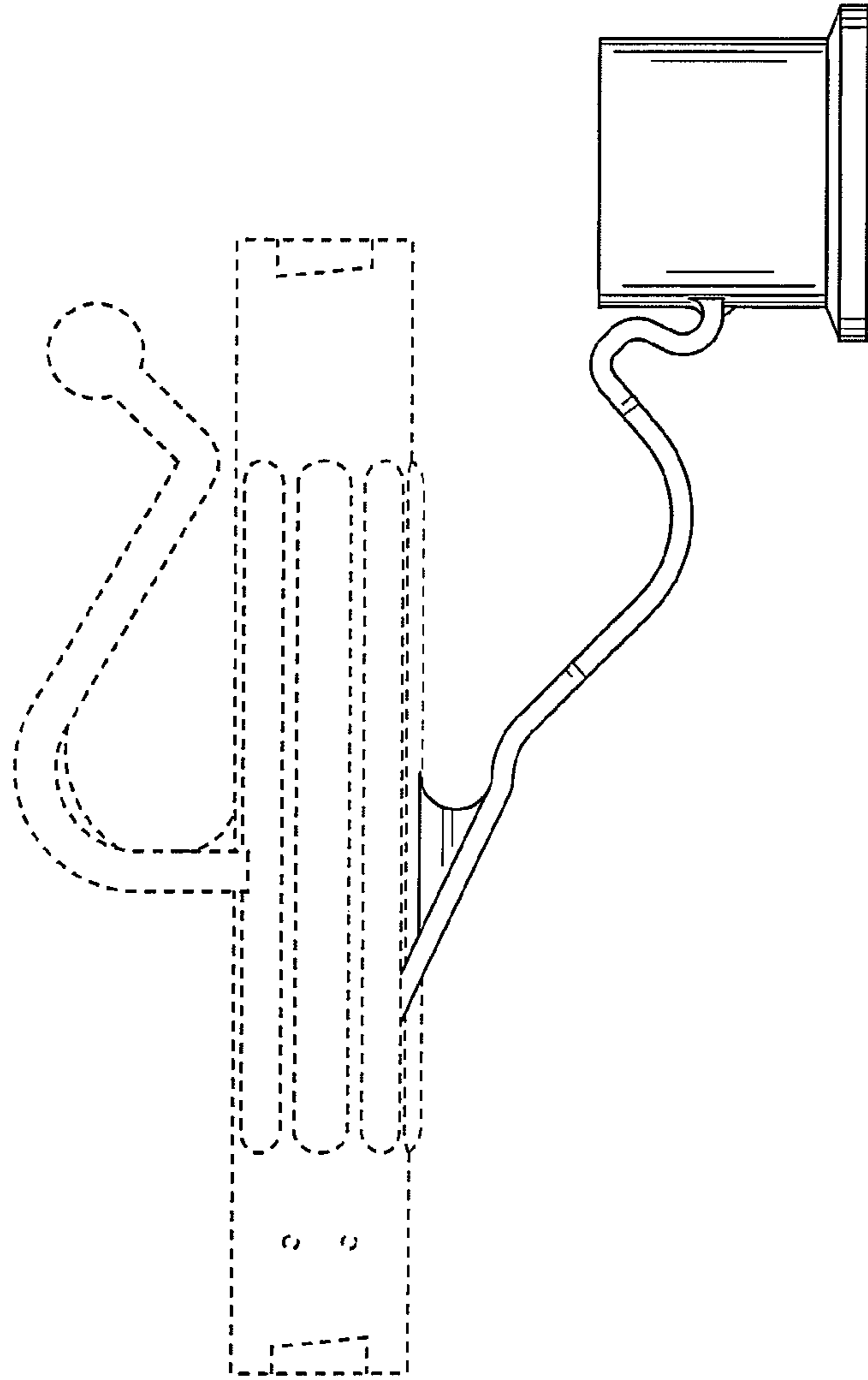


FIG.2

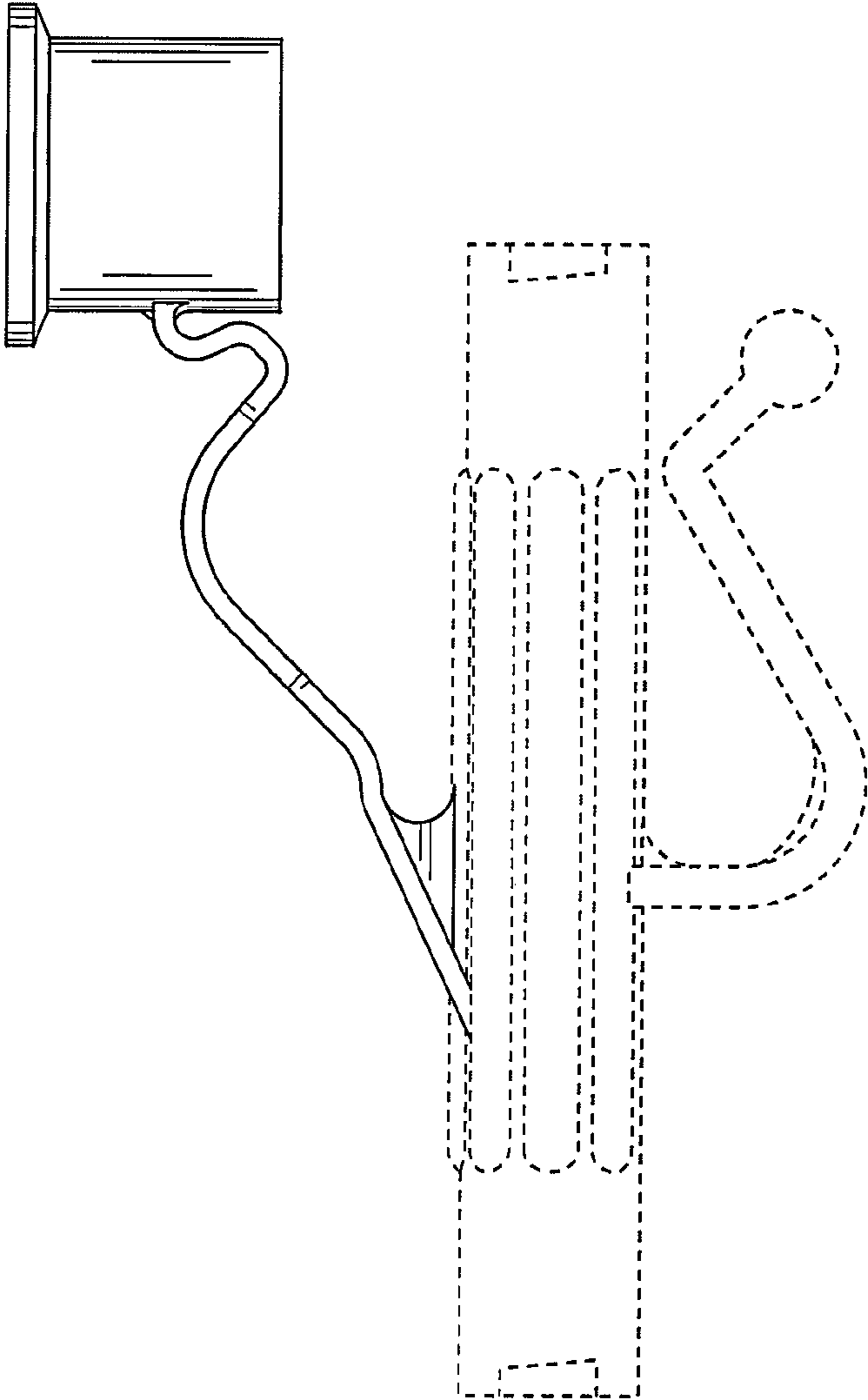


FIG.3

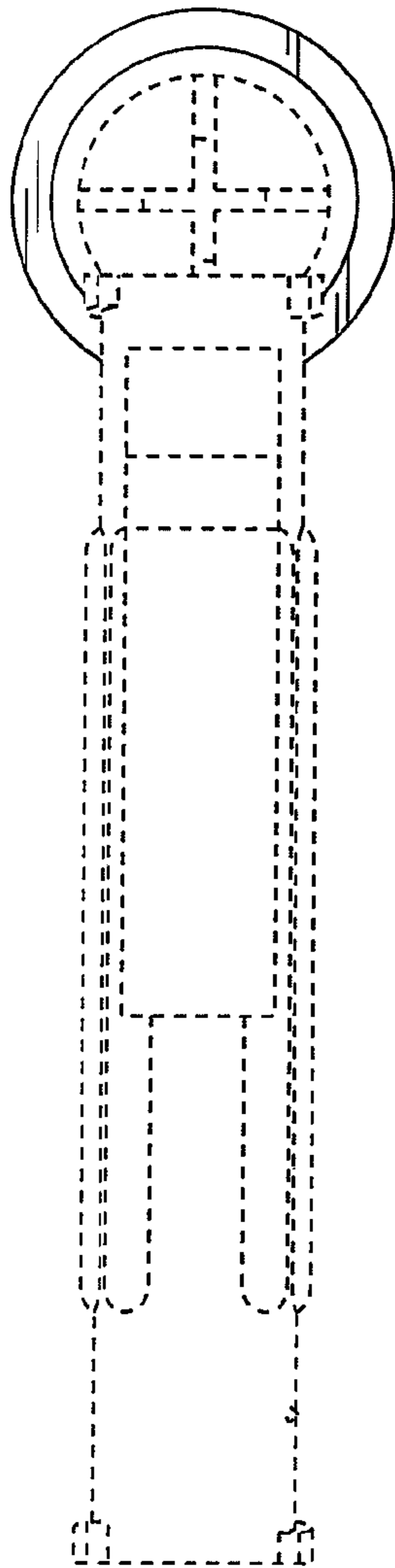


FIG. 4

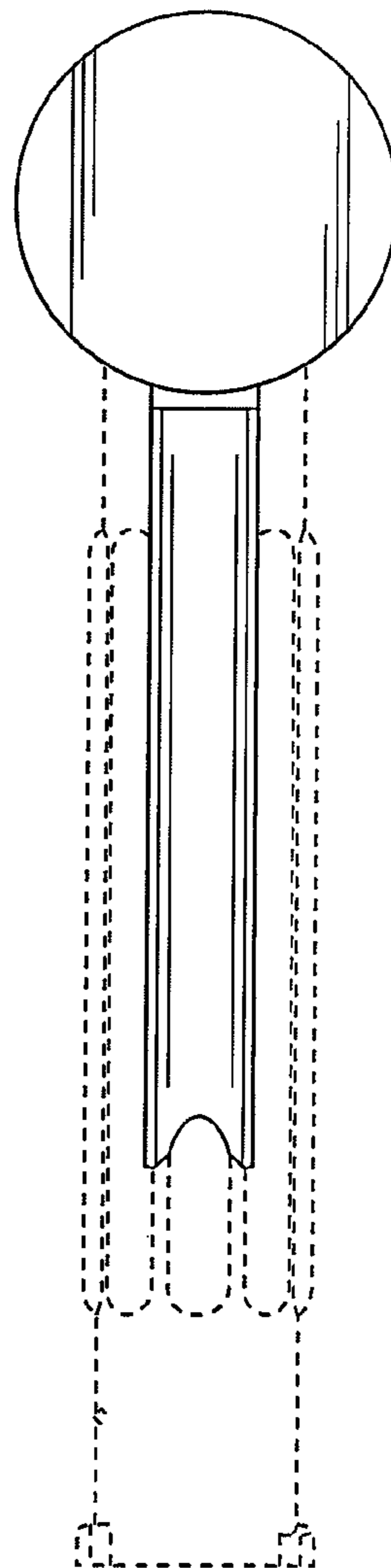


FIG. 5

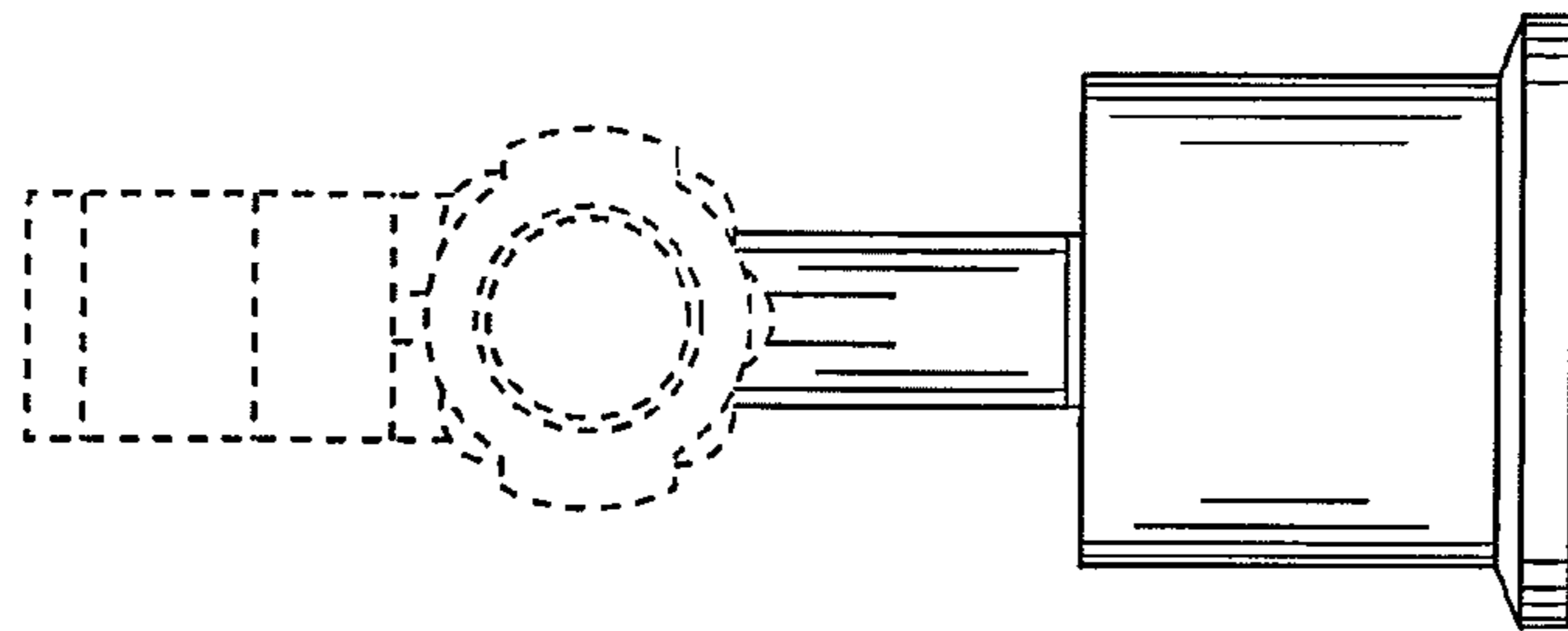


FIG. 6

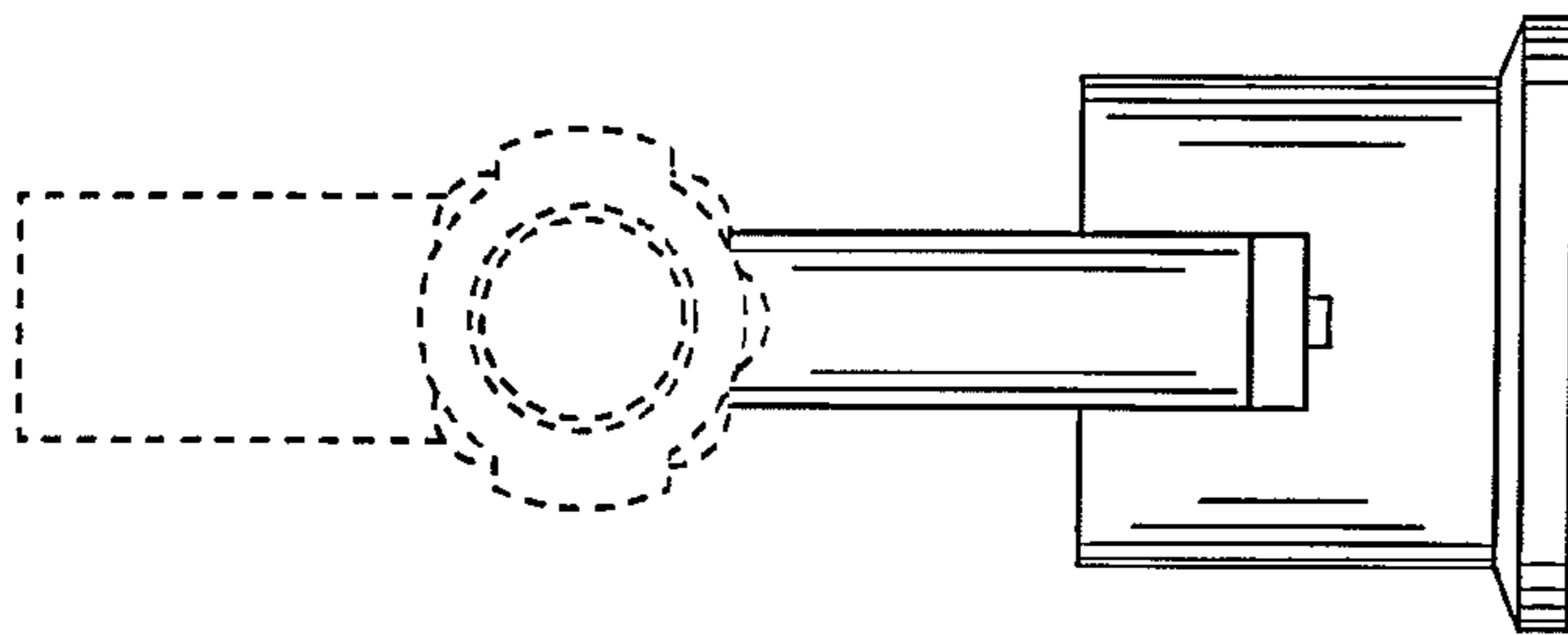


FIG. 7

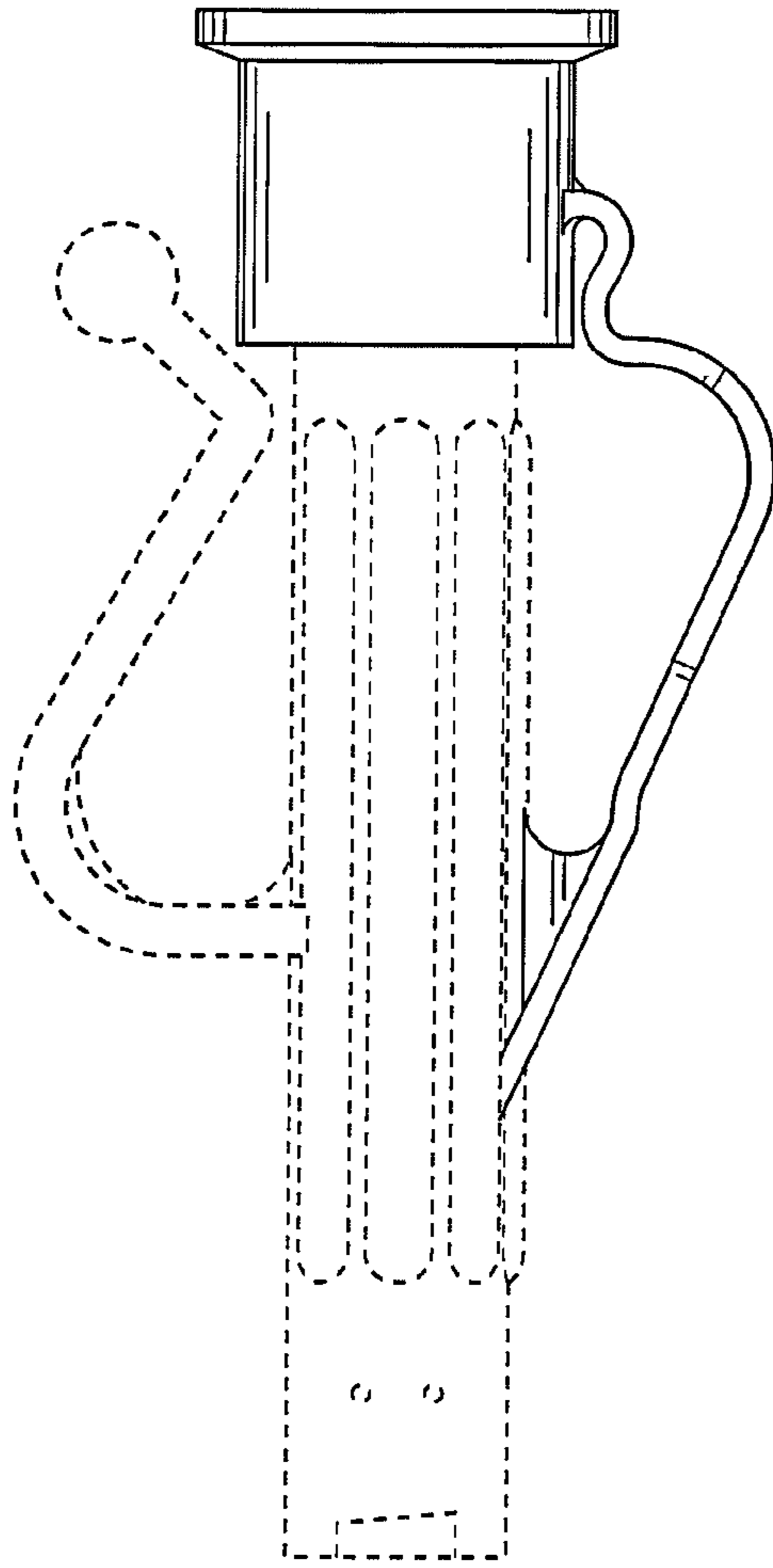


FIG.8