



US00D709197S

(12) **United States Design Patent**
Ganske et al.

(10) **Patent No.:** **US D709,197 S**
(45) **Date of Patent:** **** Jul. 15, 2014**

(54) **COMBINED CONTROLLER AND CUFF FOR REMOTE ISCHEMIC CONDITIONING**

(75) Inventors: **Rocky Eugene Ganske**, Ontario (CA); **Lahav Gil**, Toronto (CA); **Adam Shepperdley**, Toronto (CA); **Raymond Cracauer**, Beulah, CO (US); **Rade Gadzic**, Toronto (CA)

(73) Assignee: **CellAegis Devices Inc.**, Toronto (CA)

(**) Term: **14 Years**

(21) Appl. No.: **29/429,677**

(22) Filed: **Aug. 15, 2012**

Related U.S. Application Data

(63) Continuation of application No. 13/088,243, filed on Apr. 15, 2011.

(51) **LOC (10) Cl.** **24-01**

(52) **U.S. Cl.**
USPC **D24/169**

(58) **Field of Classification Search**
USPC D24/143, 165–169, 186, 189, 200;
606/201, 202, 203; 601/84, 149–151;
602/53

See application file for complete search history.

(56) **References Cited**

U.S. PATENT DOCUMENTS

3,552,383	A	1/1971	Krueger et al.	
D234,059	S *	1/1975	Popp et al.	D24/200
4,106,002	A	8/1978	Hogue, Jr.	
4,206,764	A	6/1980	Williams	
4,321,929	A	3/1982	Lemelson et al.	
4,664,651	A	5/1987	Weinshenker et al.	
4,690,151	A	9/1987	Utsunomiya et al.	
4,967,758	A	11/1990	Masciarotte	
5,072,736	A	12/1991	Ogawa et al.	

5,135,003	A	8/1992	Souma	
5,201,758	A	4/1993	Glover	
5,209,718	A *	5/1993	McDaniel	602/53
5,267,565	A	12/1993	Beard	
D358,216	S *	5/1995	Dye	D24/200
5,569,304	A	10/1996	Ulrich	
D376,013	S *	11/1996	Sandman et al.	D24/169
5,571,075	A	11/1996	Bullard	
5,634,467	A	6/1997	Nevo	
5,643,315	A	7/1997	Daneshvar	
5,651,369	A	7/1997	Tomita	
5,690,610	A *	11/1997	Ito et al.	602/53

(Continued)

FOREIGN PATENT DOCUMENTS

EP	1016379	5/2000
GB	1323365	7/1973

(Continued)

Primary Examiner — Anhdao Doan

(74) *Attorney, Agent, or Firm* — Wolf, Greenfield & Sacks, P.C.

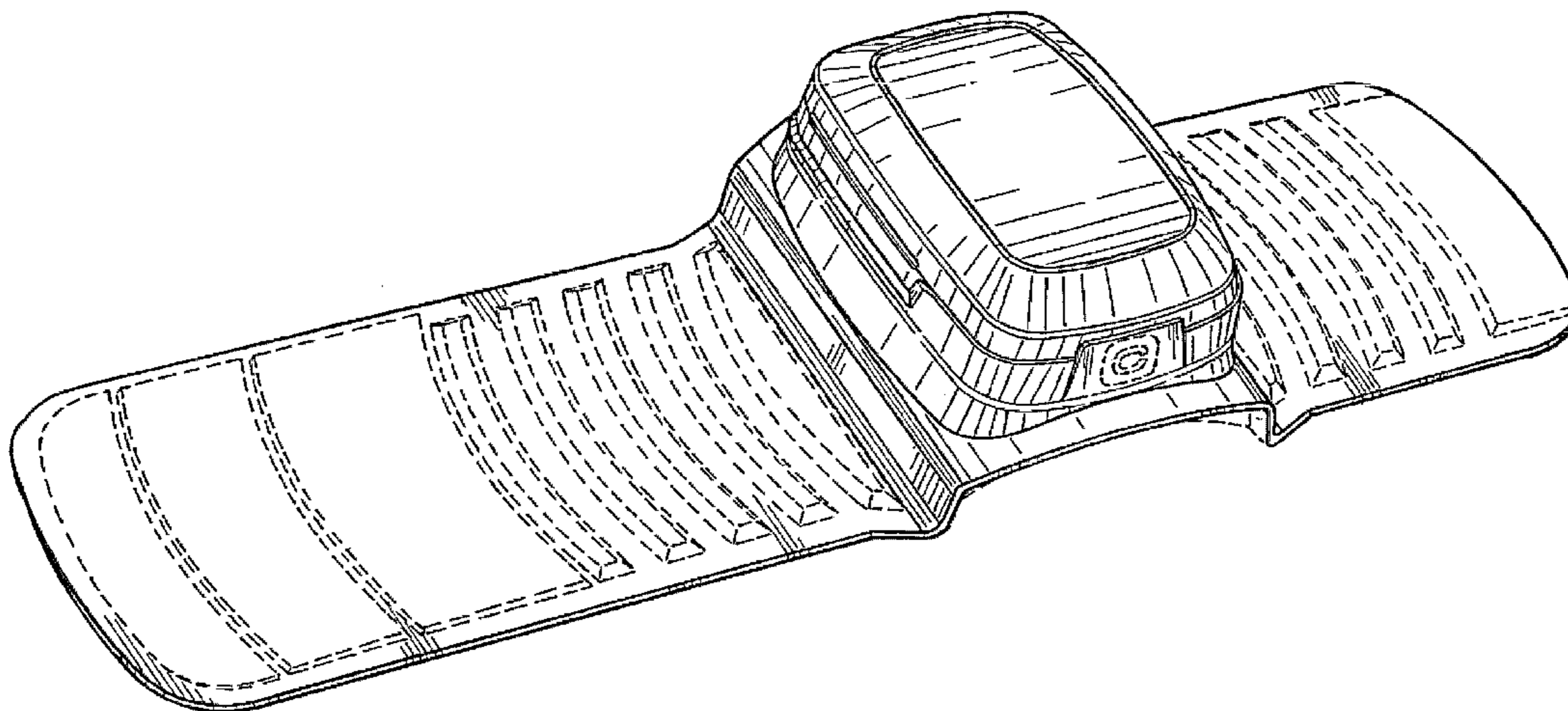
(57) **CLAIM**

The ornamental design for a combined controller and cuff for remote ischemic conditioning, as shown and described.

DESCRIPTION

FIG. 1 is a top perspective view of the combined controller and cuff for remote ischemic conditioning;
FIG. 2 is a top, plan view thereof;
FIG. 3 is a bottom plan view thereof;
FIG. 4 is a front elevational view thereof;
FIG. 5 is a rear elevational view thereof;
FIG. 6 is a left side elevational view thereof; and,
FIG. 7 is a right side elevational view thereof.
The broken lines in the drawing views illustrate unclaimed portions of the combined controller and cuff for remote ischemic conditioning and form no part of the claimed design.

1 Claim, 5 Drawing Sheets



(56)

References Cited

U.S. PATENT DOCUMENTS

D420,449 S * 2/2000 Schifrin et al. D24/189
 D432,240 S * 10/2000 Katz et al. D24/200
 6,152,881 A 11/2000 Raines et al.
 6,210,423 B1 4/2001 Kim et al.
 6,245,023 B1 6/2001 Clemmons
 6,251,080 B1 6/2001 Henkin et al.
 6,485,429 B2 11/2002 Forstner
 6,550,482 B1 4/2003 Burbank et al.
 6,626,840 B2 9/2003 Drzewiecki et al.
 6,702,720 B2 3/2004 Dardik
 6,719,704 B2 4/2004 Narimatsu et al.
 6,858,012 B2 2/2005 Burns et al.
 6,962,599 B2 11/2005 Hui et al.
 7,004,907 B2 2/2006 Banet et al.
 D517,695 S * 3/2006 Gillis et al. D24/169
 7,018,335 B2 3/2006 Kario et al.
 7,048,702 B2 5/2006 Hui
 D523,147 S * 6/2006 Tesluk D24/169
 7,111,346 B2 9/2006 Inman et al.
 7,166,077 B2 1/2007 Millay et al.
 7,228,576 B2 6/2007 Inman et al.
 7,314,478 B2 1/2008 Hui
 7,338,410 B2 3/2008 Dardik et al.
 7,374,540 B2 5/2008 Schnall et al.
 7,390,303 B2 6/2008 Dafni
 7,404,221 B2 7/2008 Sackner
 7,427,268 B2 9/2008 Millary et al.
 7,485,131 B2 2/2009 Hovanes et al.
 7,689,286 B2 3/2010 Pastore et al.
 7,717,855 B2 5/2010 Caldarone et al.
 7,885,710 B2 2/2011 Sih et al.
 8,079,969 B2 * 12/2011 Rousso et al. 601/148
 8,114,026 B2 2/2012 Leschinsky
 8,246,548 B2 8/2012 Naghavi
 D701,610 S * 3/2014 Thomas et al. D24/200
 2001/0029389 A1 10/2001 Kim et al.
 2003/0013974 A1 1/2003 Natarajan et al.
 2003/0065270 A1 4/2003 Raines et al.
 2003/0176795 A1 9/2003 Harris et al.
 2003/0216651 A1 11/2003 Burns et al.
 2003/0233118 A1 12/2003 Hui
 2004/0044290 A1 3/2004 Ward et al.
 2004/0064076 A1 4/2004 Bilgi et al.
 2004/0102818 A1 5/2004 Hakky et al.
 2004/0241634 A1 12/2004 Millis et al.
 2004/0255956 A1 12/2004 Vinten-Johansen
 2005/0004476 A1 1/2005 Payvar et al.

2005/0070405 A1 3/2005 Egger
 2005/0159640 A1 7/2005 Barbut et al.
 2005/0171444 A1 8/2005 Ono et al.
 2005/0177078 A1 8/2005 Loeb et al.
 2006/0052712 A1 3/2006 Poliac et al.
 2006/0052713 A1 3/2006 Poliac et al.
 2006/0052714 A1 3/2006 Poliac et al.
 2006/0058717 A1 3/2006 Hui et al.
 2006/0100639 A1 5/2006 Levin et al.
 2006/0142663 A1 6/2006 Sawanoi et al.
 2007/0005106 A1 1/2007 Adducci
 2007/0055188 A1 * 3/2007 Avni et al. 601/151
 2007/0135836 A1 6/2007 McEwen et al.
 2007/0150005 A1 6/2007 Sih et al.
 2007/0247304 A1 10/2007 Bonnefin et al.
 2008/0139949 A1 6/2008 Caldarone et al.
 2008/0222769 A1 9/2008 Natanson et al.
 2009/0036785 A1 2/2009 Danielsson
 2009/0124912 A1 5/2009 McEwen et al.
 2009/0137884 A1 5/2009 Naghavi et al.
 2009/0287069 A1 11/2009 Naghavi et al.
 2009/0318818 A1 12/2009 Whitaker et al.
 2009/0324748 A1 12/2009 Dobson
 2010/0081941 A1 4/2010 Naghavi et al.
 2010/0081977 A1 4/2010 Vess
 2010/0105993 A1 4/2010 Naghavi et al.
 2010/0160799 A1 6/2010 Caldarone et al.
 2010/0185220 A1 7/2010 Naghavi et al.
 2010/0186752 A1 7/2010 Rixson
 2010/0268130 A1 10/2010 Khan
 2010/0292619 A1 11/2010 Redington et al.
 2010/0305607 A1 12/2010 Caldarone et al.
 2010/0322467 A1 12/2010 Reed et al.
 2010/0324429 A1 12/2010 Leschinsky
 2010/0328142 A1 12/2010 Zoughi et al.
 2011/0077566 A1 3/2011 Ganapathy
 2011/0190807 A1 8/2011 Redington et al.
 2011/0238107 A1 9/2011 Raheman
 2011/0240043 A1 10/2011 Redington
 2011/0251635 A1 10/2011 Caldarone
 2012/0130419 A1 5/2012 Leschinsky
 2012/0265240 A1 10/2012 Ganske

FOREIGN PATENT DOCUMENTS

JP 2001221 1/1990
 WO WO 91/18571 12/1991
 WO WO 2006/024871 3/2006
 WO WO 2007/085828 8/2007

* cited by examiner

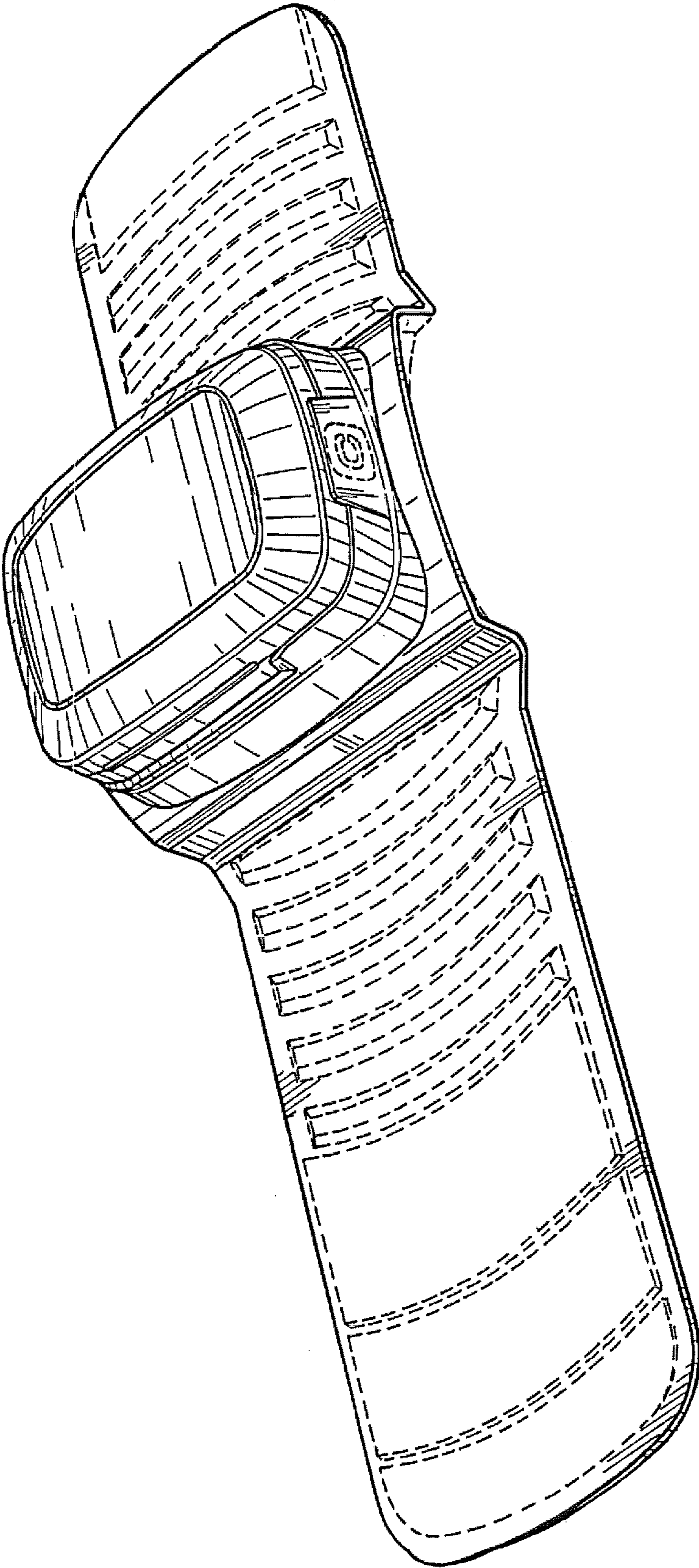


Fig. 1

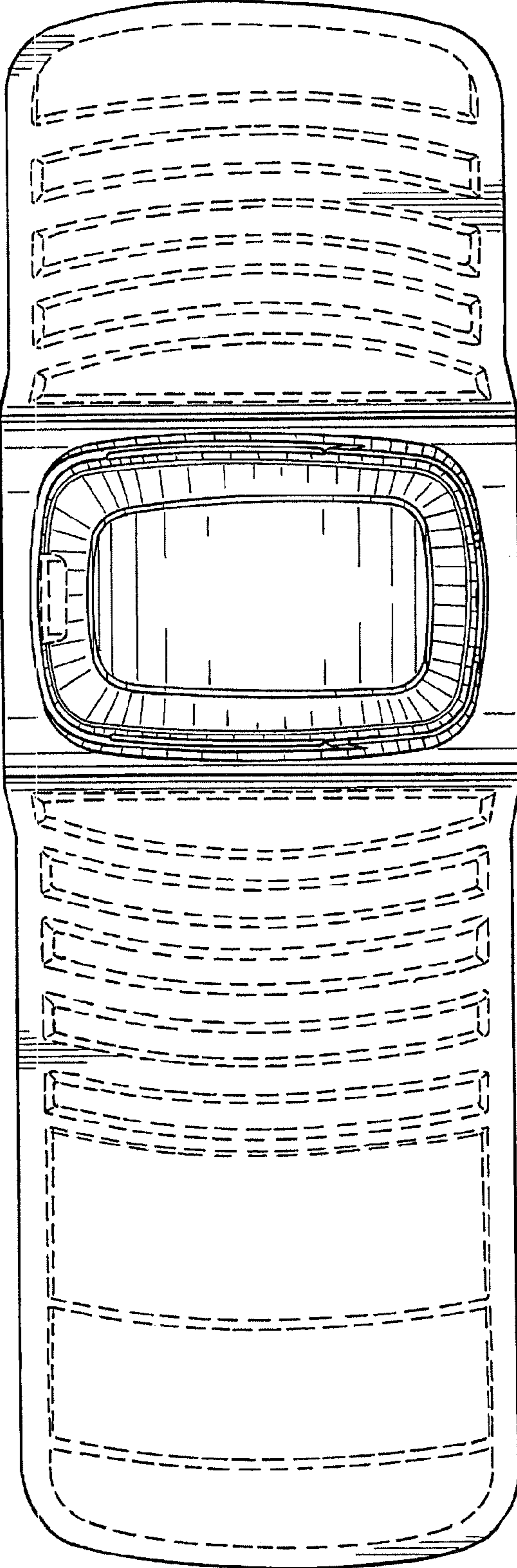


Fig. 2

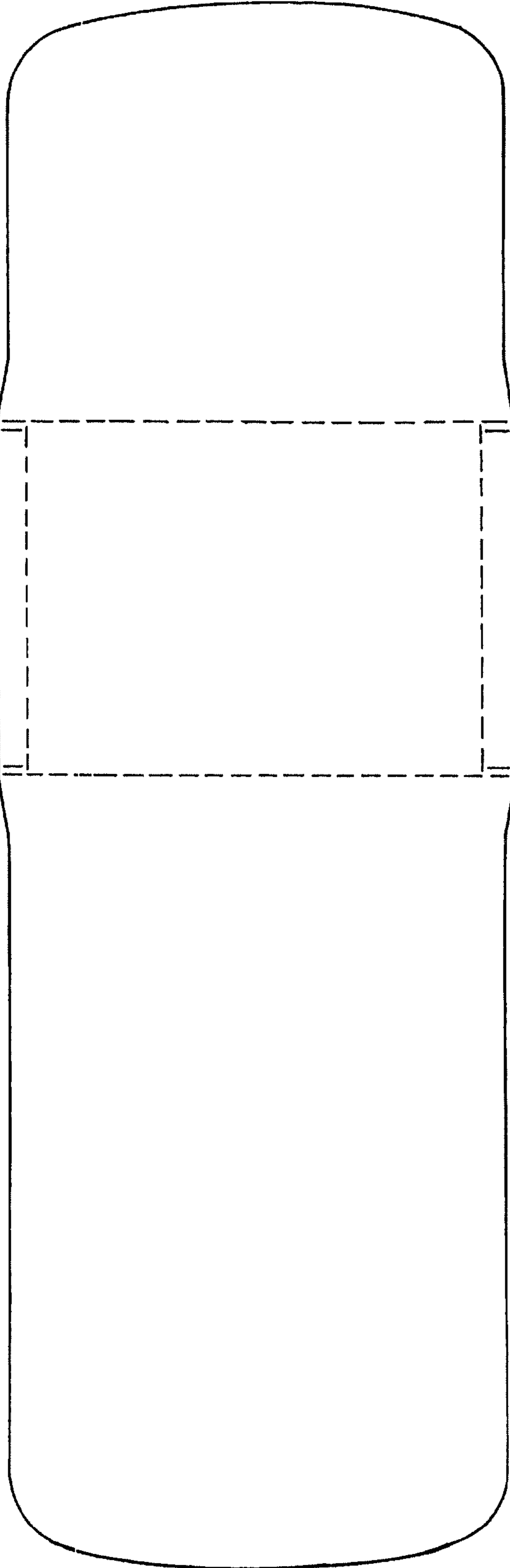


Fig. 3

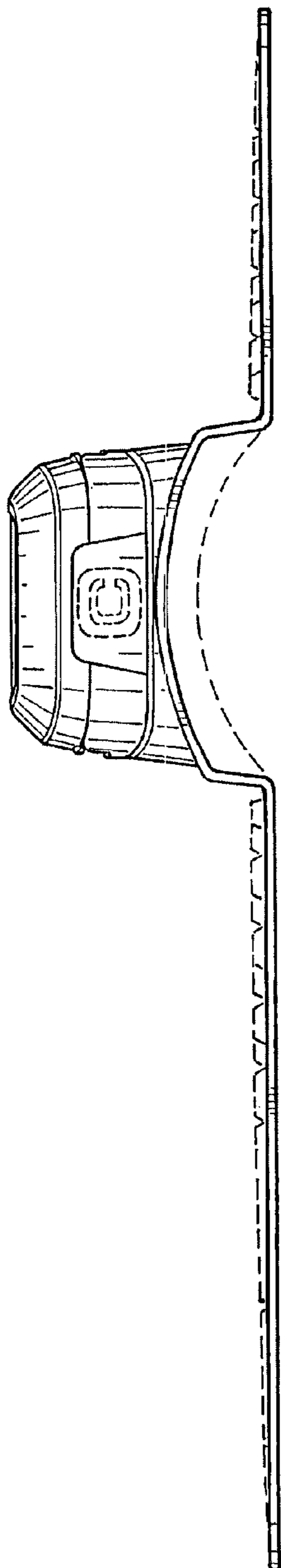


Fig. 4

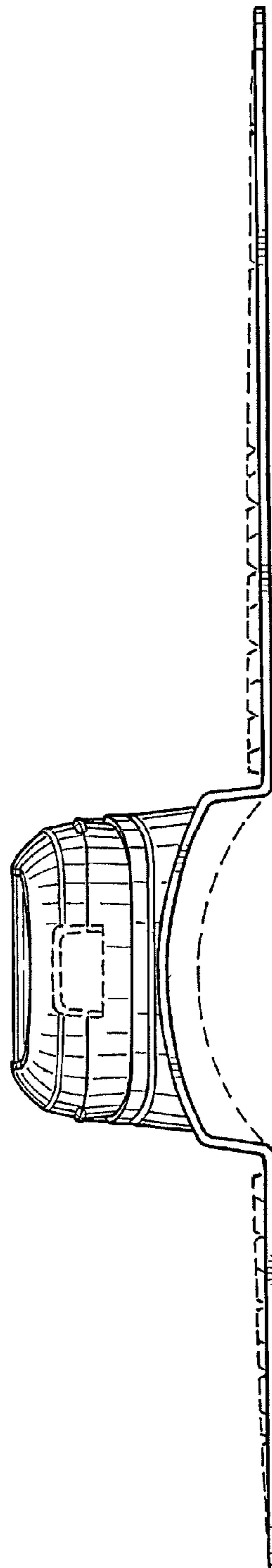


Fig. 5

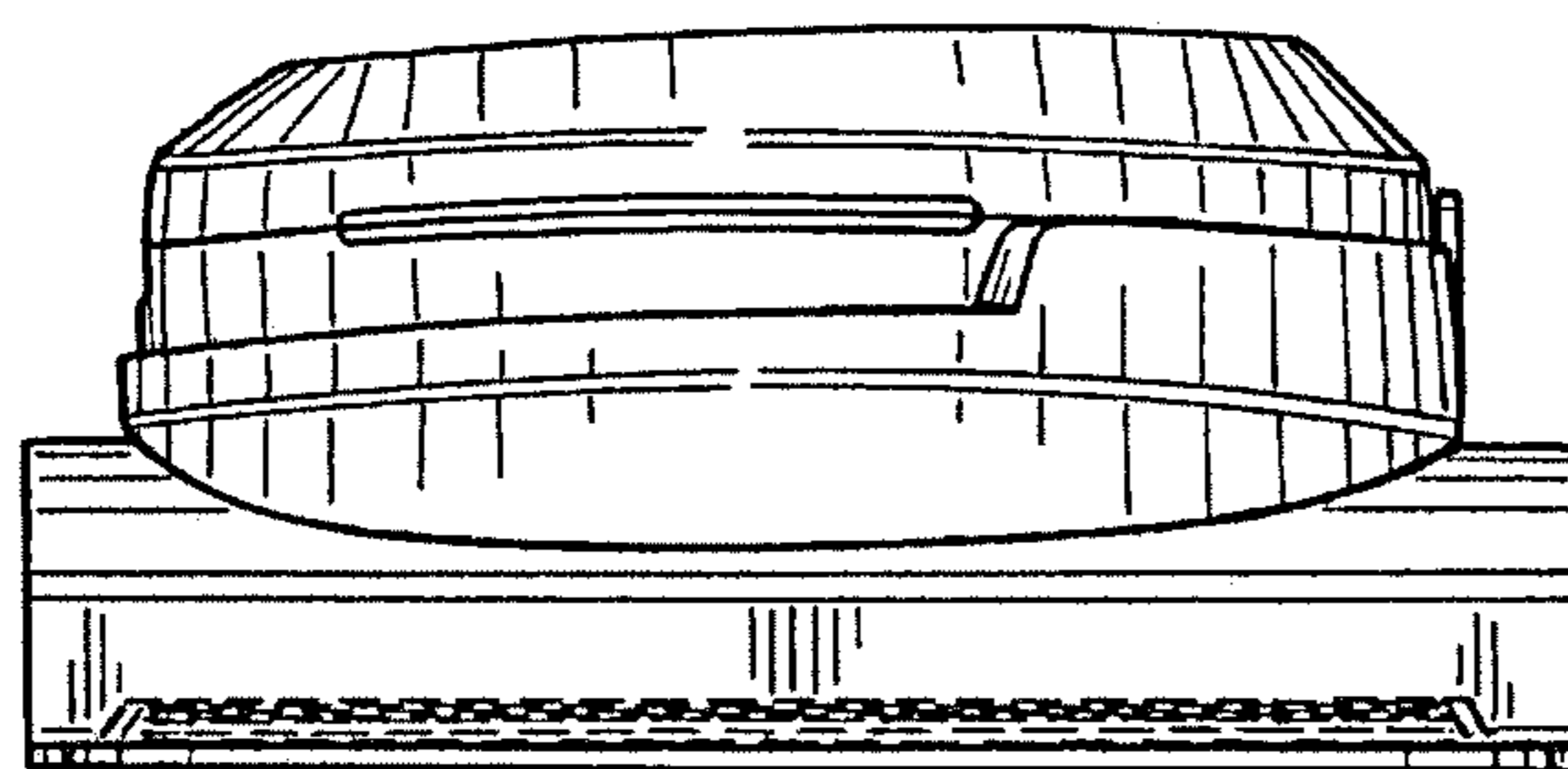


Fig. 6

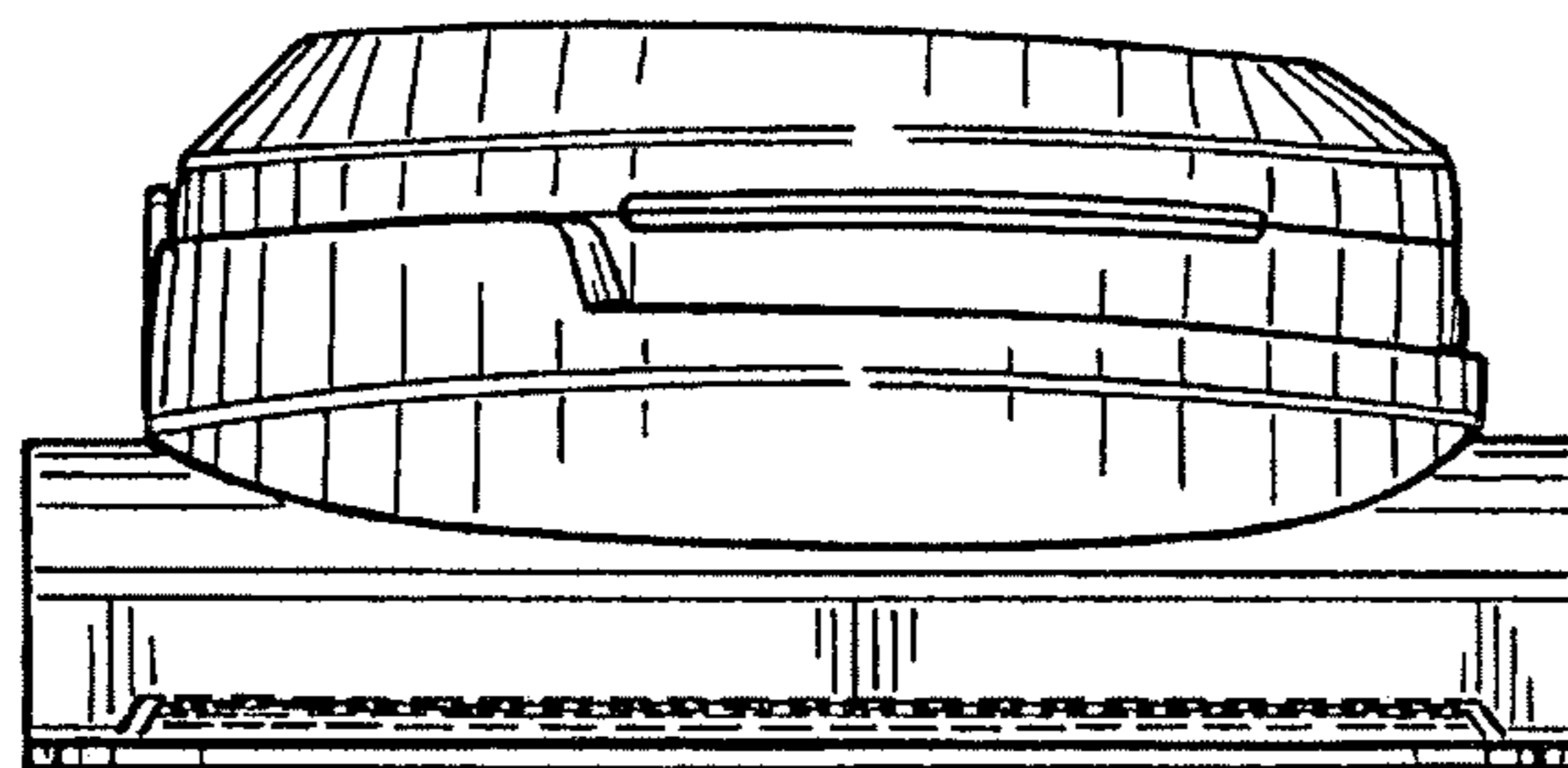


Fig. 7