



US00D709195S

(12) **United States Design Patent**
Peck

(10) **Patent No.:** **US D709,195 S**

(45) **Date of Patent:** **** Jul. 15, 2014**

(54) **TREATMENT ATTACHMENT**

(71) Applicant: **Sharik Peck**, Richmond, UT (US)

(72) Inventor: **Sharik Peck**, Richmond, UT (US)

(**) Term: **14 Years**

(21) Appl. No.: **29/459,311**

(22) Filed: **Jun. 28, 2013**

(51) **LOC (10) Cl.** **24-02**

(52) **U.S. Cl.**
USPC **D24/143; D24/215**

(58) **Field of Classification Search**
USPC D24/133, 200, 208, 214–215, 212–213,
D24/141; D8/349, 394; D32/60–62; 601/1,
601/15, 80, 120, 123, 125, 130, 137,
601/DIG. 14, DIG. 15, DIG. 17, 133;
606/205–208, 151, 157, 201;
607/108–109, 111

See application file for complete search history.

(56) **References Cited**

U.S. PATENT DOCUMENTS

1,257,639	A *	2/1918	Rosenberger	24/508
1,281,487	A *	10/1918	Beshgeturian	601/133
D147,804	S *	11/1947	MacCafferri	D32/61
2,690,746	A *	10/1954	Achberger	601/133
4,145,793	A *	3/1979	Berlet	24/501
D302,654	S *	8/1989	Cetrone	D32/61
D378,134	S *	2/1997	Kuan	D24/200
5,632,721	A *	5/1997	Kuan	601/133
D401,346	S *	11/1998	Yoshida	D24/200

D450,571	S *	11/2001	Chen	D8/395
6,644,636	B1 *	11/2003	Ryan	269/6
D698,456	S *	1/2014	Zedaker	D24/215

* cited by examiner

Primary Examiner — Wan Laymon

(74) *Attorney, Agent, or Firm* — Project CIP; Preston P. Frischknecht

(57) **CLAIM**

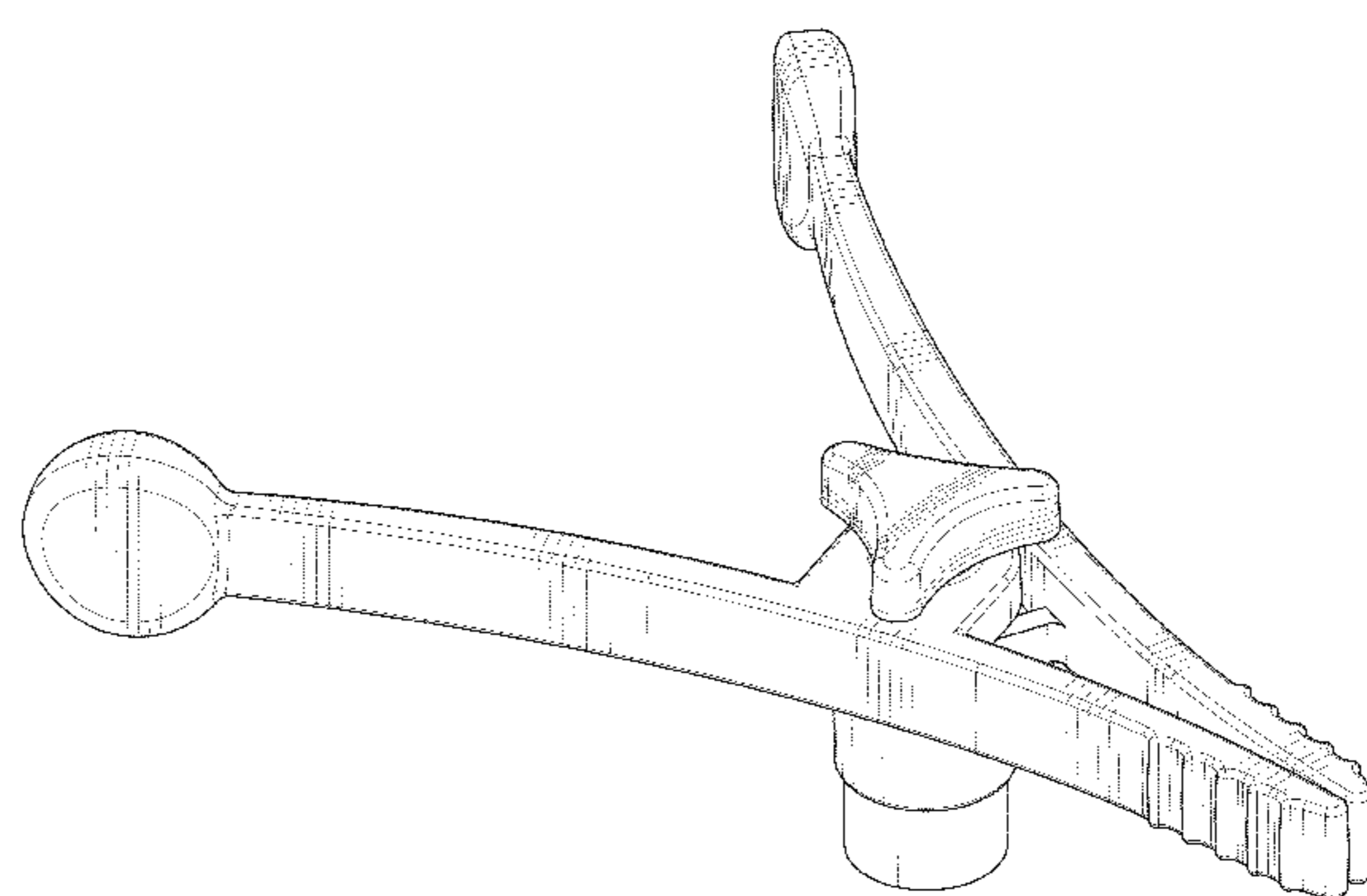
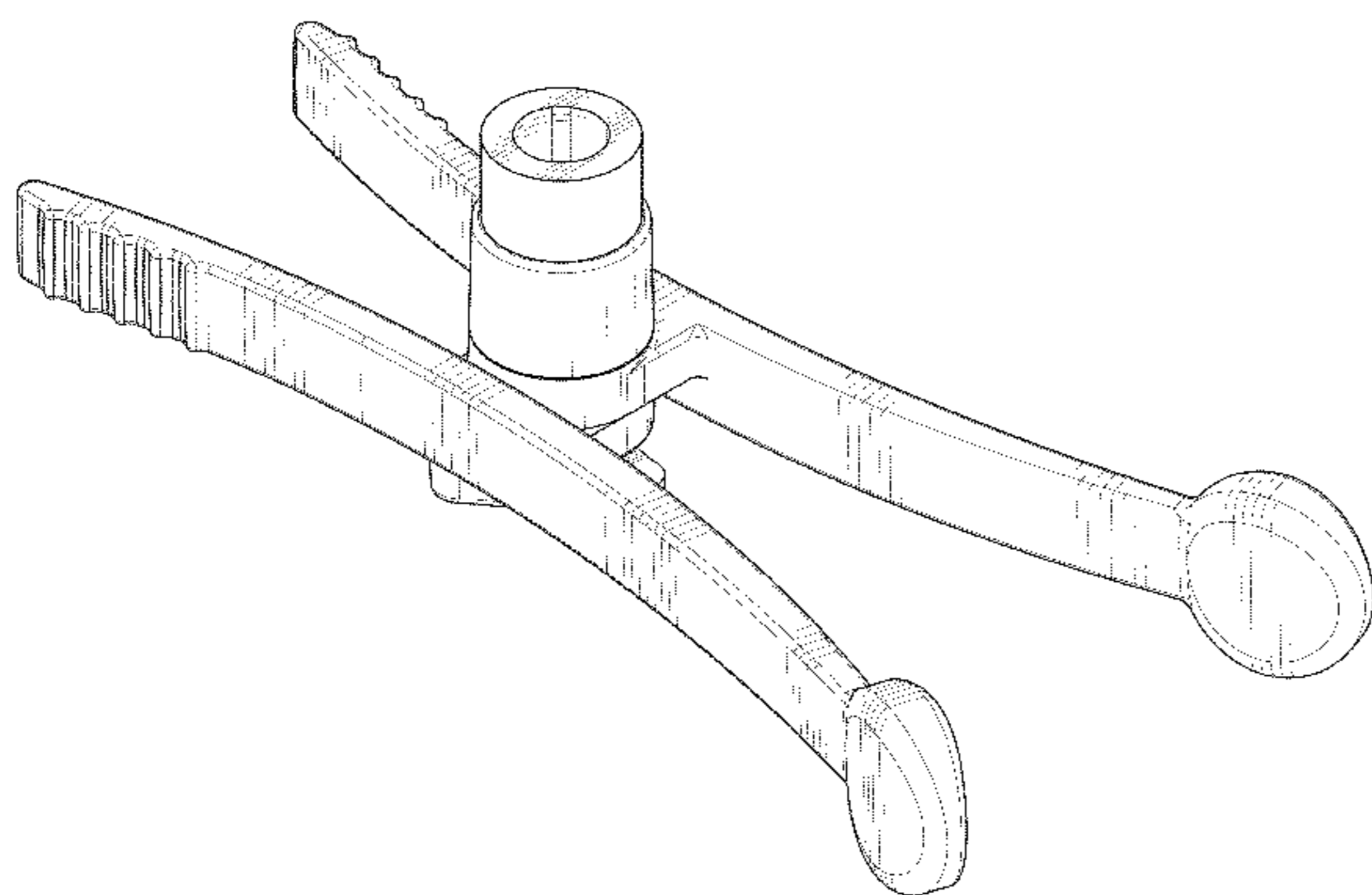
The ornamental design for a treatment attachment, as shown and described.

DESCRIPTION

FIG. 1 is a bottom isometric view of a treatment attachment shown the powered treatment device in an environment illustrating my design;
FIG. 2 is a top isometric view showing the design;
FIG. 3 is a right view showing the design;
FIG. 4 is a left view showing the design;
FIG. 5 is a front view showing the design;
FIG. 6 is a back view showing the design;
FIG. 7 is a top view showing the design;
FIG. 8 is a bottom view showing the design; and,
FIG. 9 is an alternate bottom isometric view showing the design.

The broken lines shown in the figures are included for the purpose of illustrating portions of the treatment attachment and form no part of the claimed design.

1 Claim, 7 Drawing Sheets



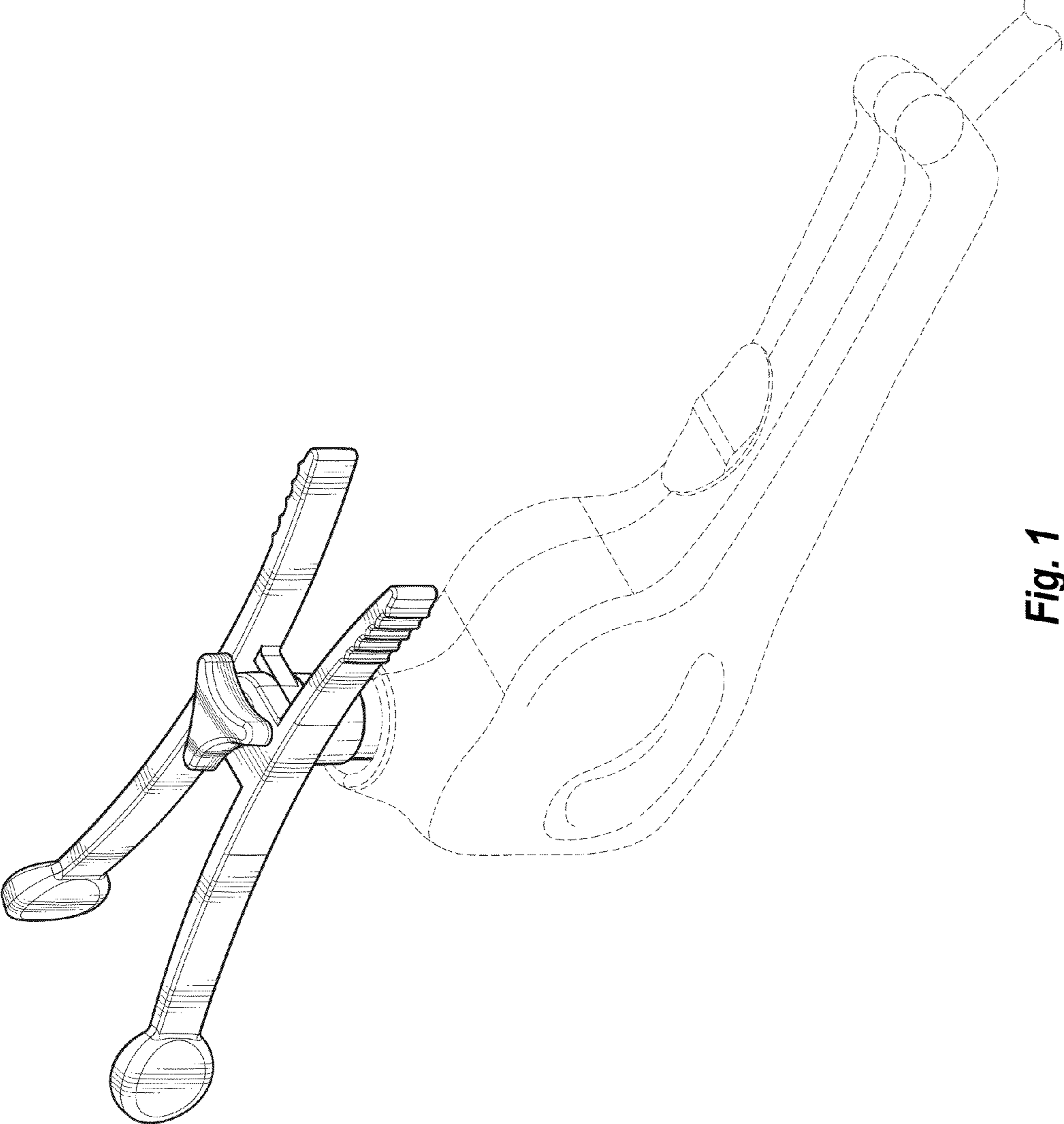


Fig. 1

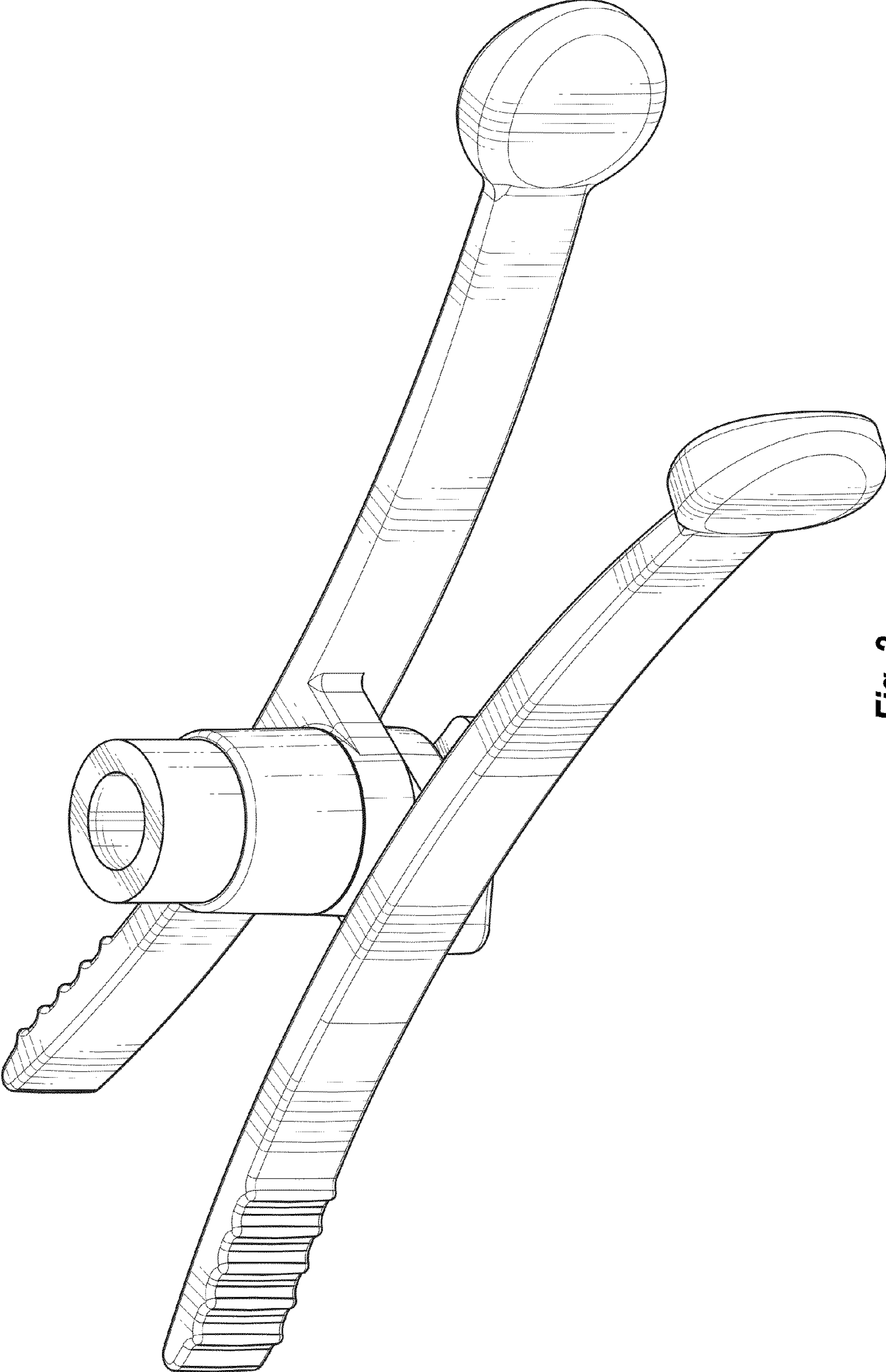


Fig. 2

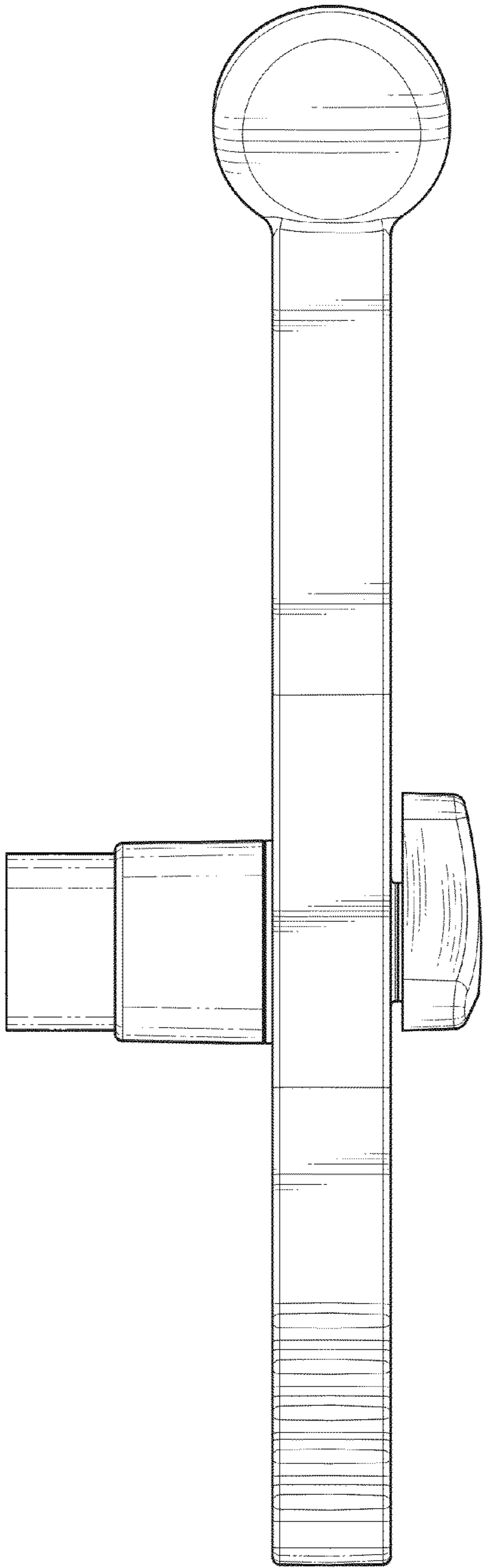


Fig. 3

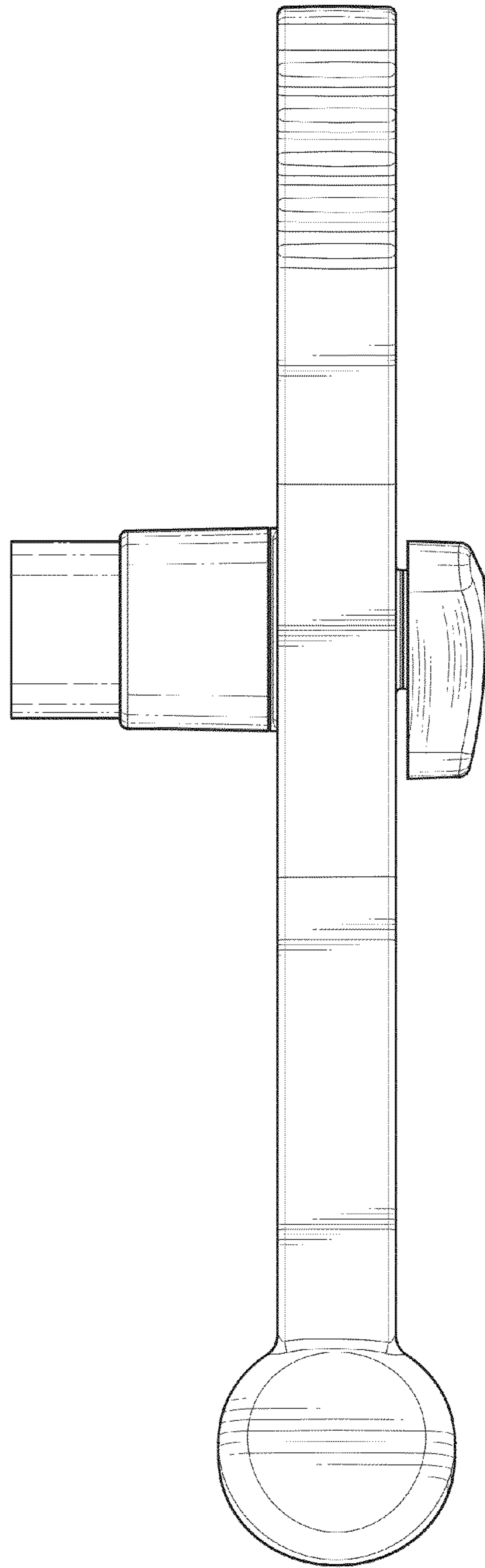


Fig. 4

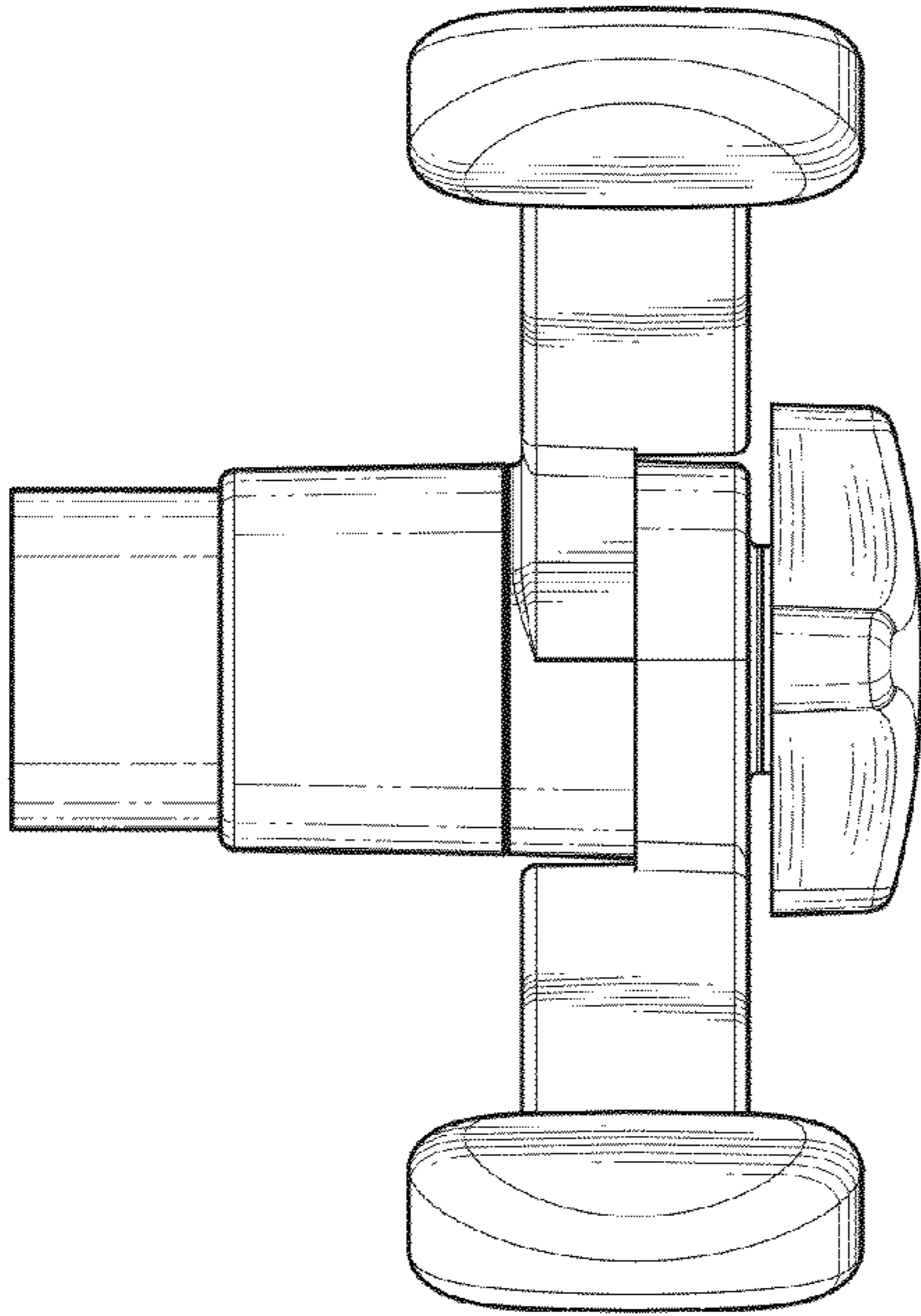


Fig. 5

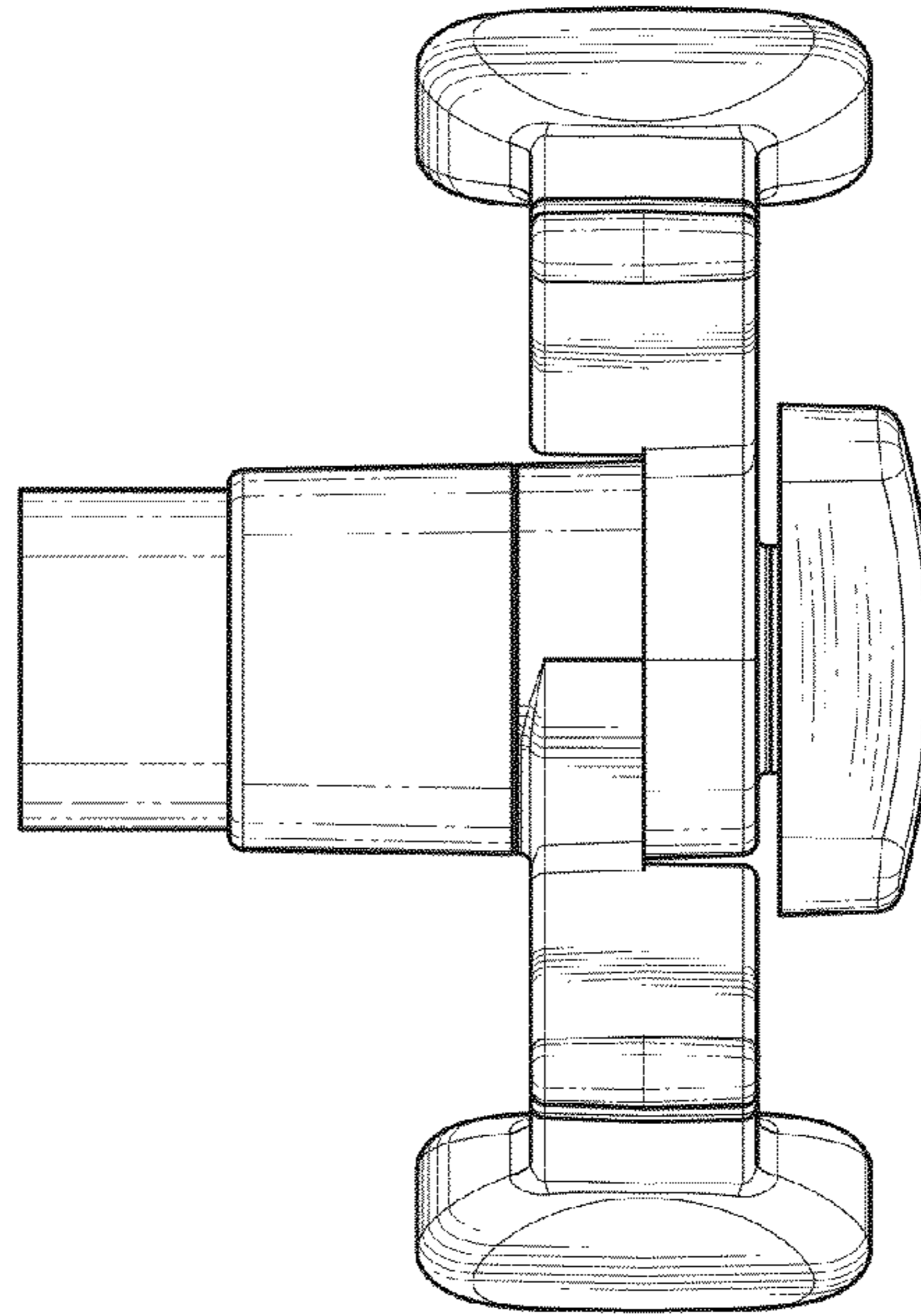


Fig. 6

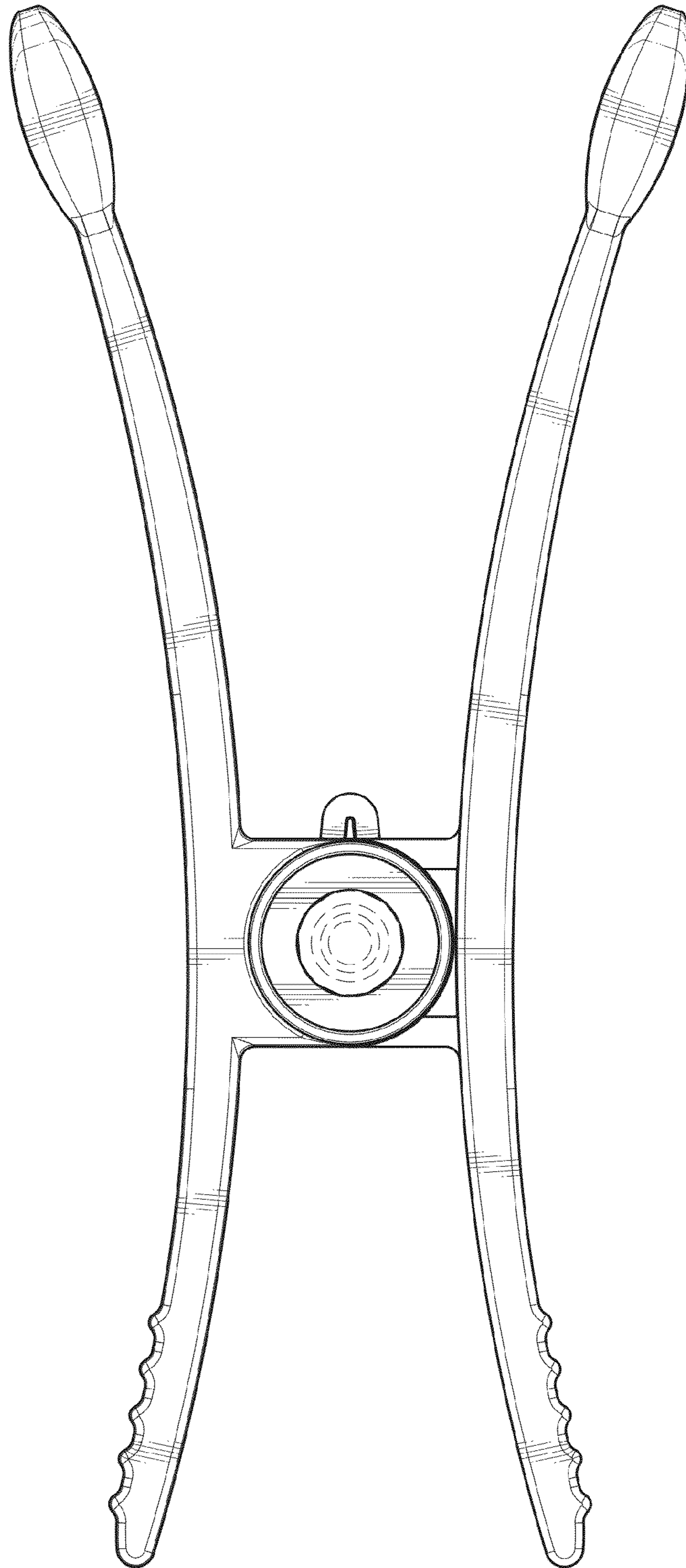


Fig. 7

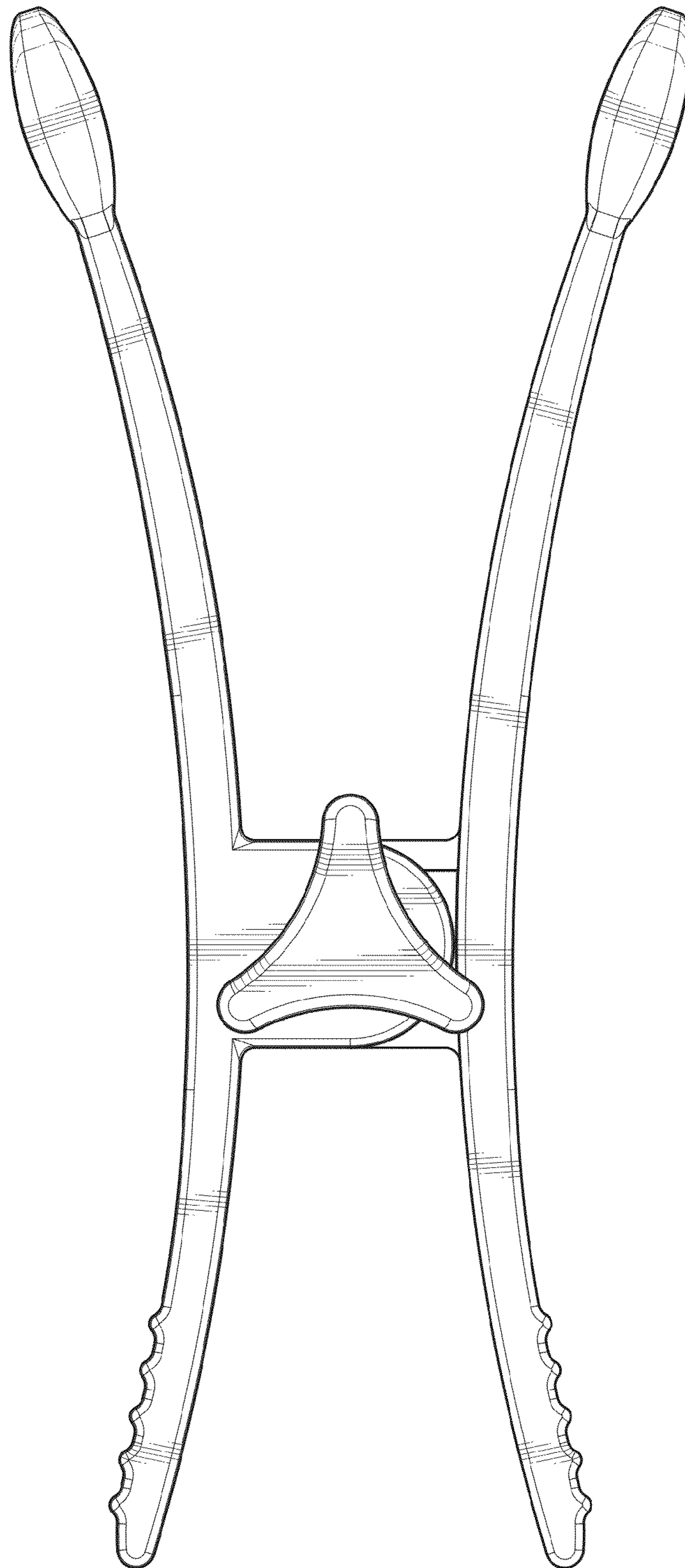


Fig. 8

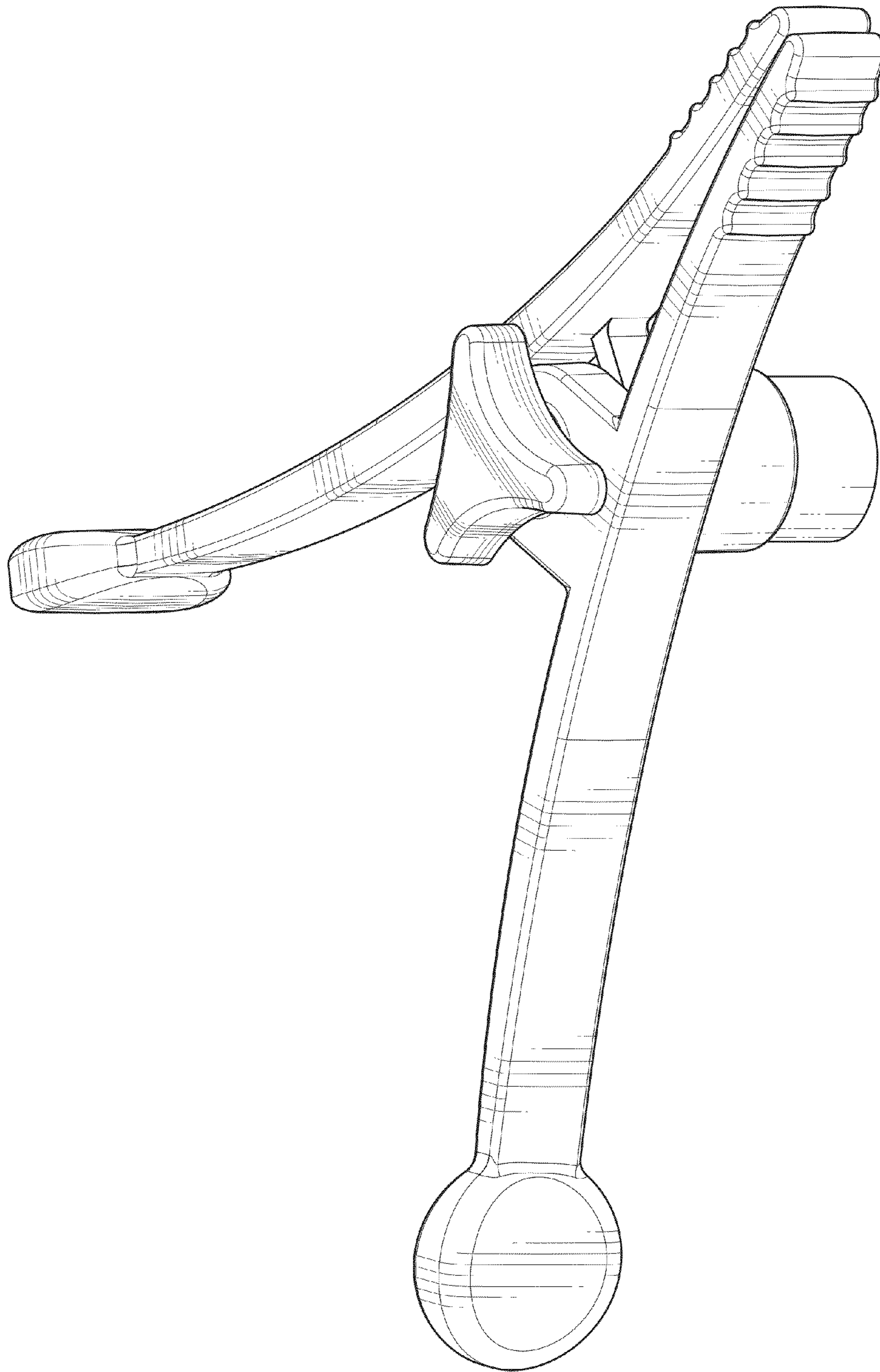


Fig. 9