



US00D709193S

(12) **United States Design Patent**
Patterson et al.

(10) **Patent No.:** **US D709,193 S**

(45) **Date of Patent:** **** Jul. 15, 2014**

(54) **MEDICAL TESTING APPARATUS**

(56) **References Cited**

(71) Applicant: **Research Institute at Nationwide Children's Hospital**, Columbus, OH (US)

(72) Inventors: **Amber M. Patterson**, Westerville, OH (US); **Benjamin A. Patterson**, Westerville, OH (US); **Meagan W. Shepherd**, Columbus, OH (US); **Jay A. Shepherd**, Columbus, OH (US)

U.S. PATENT DOCUMENTS

3,556,080	A *	1/1971	Hein	600/556
D322,673	S *	12/1991	Muller	D24/146
5,746,700	A *	5/1998	Hsiao	600/556
5,749,836	A *	5/1998	Hsiao	600/556
D412,990	S *	8/1999	Woolston et al.	D24/223
6,024,706	A *	2/2000	Hsiao	600/556
D439,985	S *	4/2001	Sanner	D24/216
6,611,707	B1 *	8/2003	Prausnitz et al.	604/21
D523,964	S *	6/2006	Phelan et al.	D24/223
7,344,499	B1 *	3/2008	Prausnitz et al.	600/309
8,597,199	B2 *	12/2013	Harish et al.	600/556
D698,937	S *	2/2014	Laverack et al.	D24/223

(73) Assignee: **Research Institute at Nationwide Children's Hospital**, Columbus, OH (US)

* cited by examiner

(**) Term: **14 Years**

Primary Examiner — Wan Laymon

(21) Appl. No.: **29/449,391**

(74) *Attorney, Agent, or Firm* — Tarolli, Sundheim, Covell & Tummino LLP

(22) Filed: **Mar. 15, 2013**

(57) **CLAIM**

The ornamental design for a medical testing apparatus, as shown and described.

(51) **LOC (10) Cl.** **24-02**

DESCRIPTION

(52) **U.S. Cl.**
USPC **D24/142; D24/223**

FIG. 1 is an upper perspective view of a medical testing apparatus constructed in accordance with the present disclosure;

(58) **Field of Classification Search**
USPC D24/142, 133, 140, 146-147, 165, 169, D24/185-186, 216, 223-226, 231-232; D8/20; D10/81; 436/165, 169; 422/430, 68.1, 82.13, 82.01, 400-403, 422/410; 600/556; 604/43, 46

FIG. 2 is a lower perspective view thereof;

FIG. 3 is a front elevation view thereof;

FIG. 4 is a rear elevation view thereof;

FIG. 5 is a top plan view thereof;

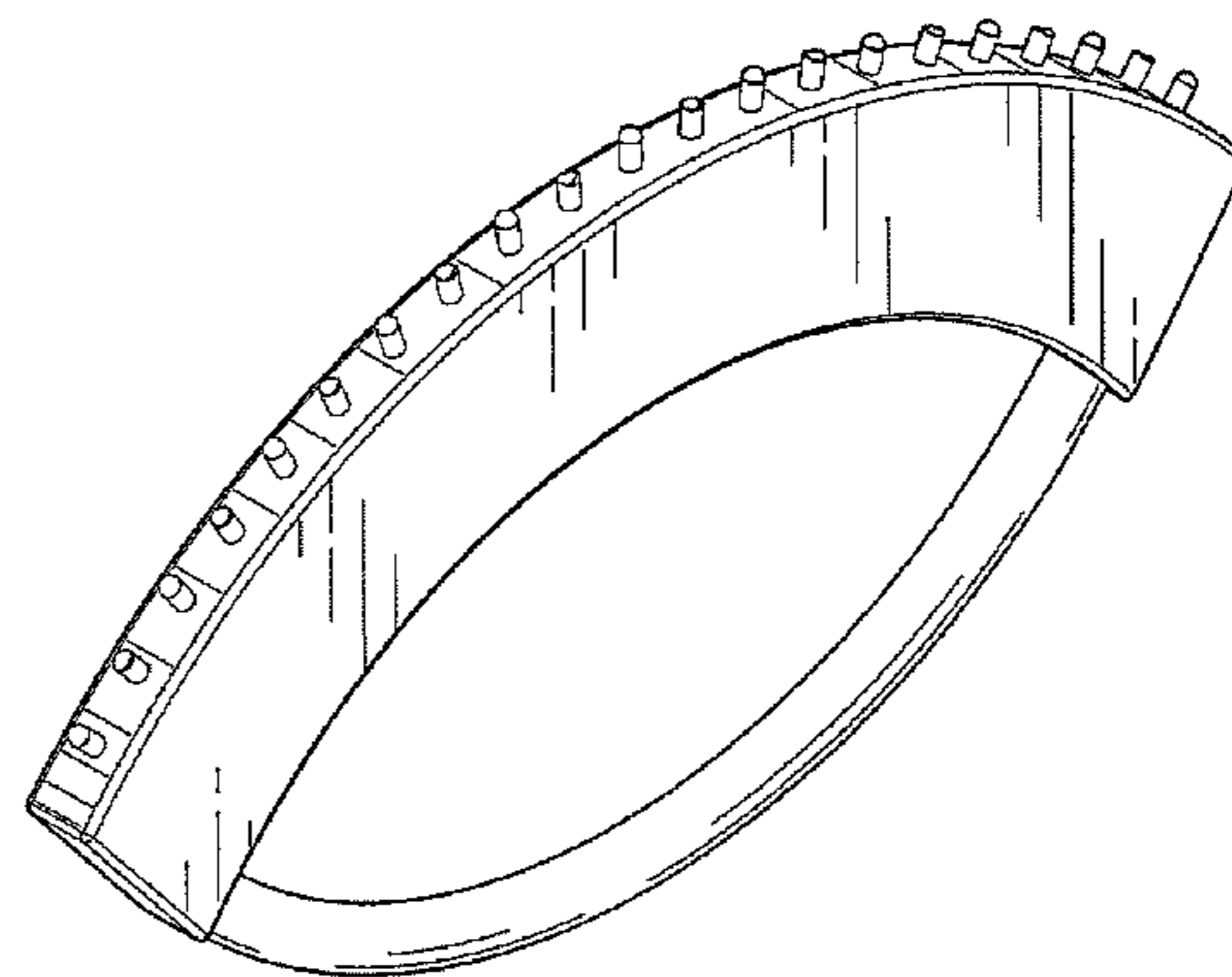
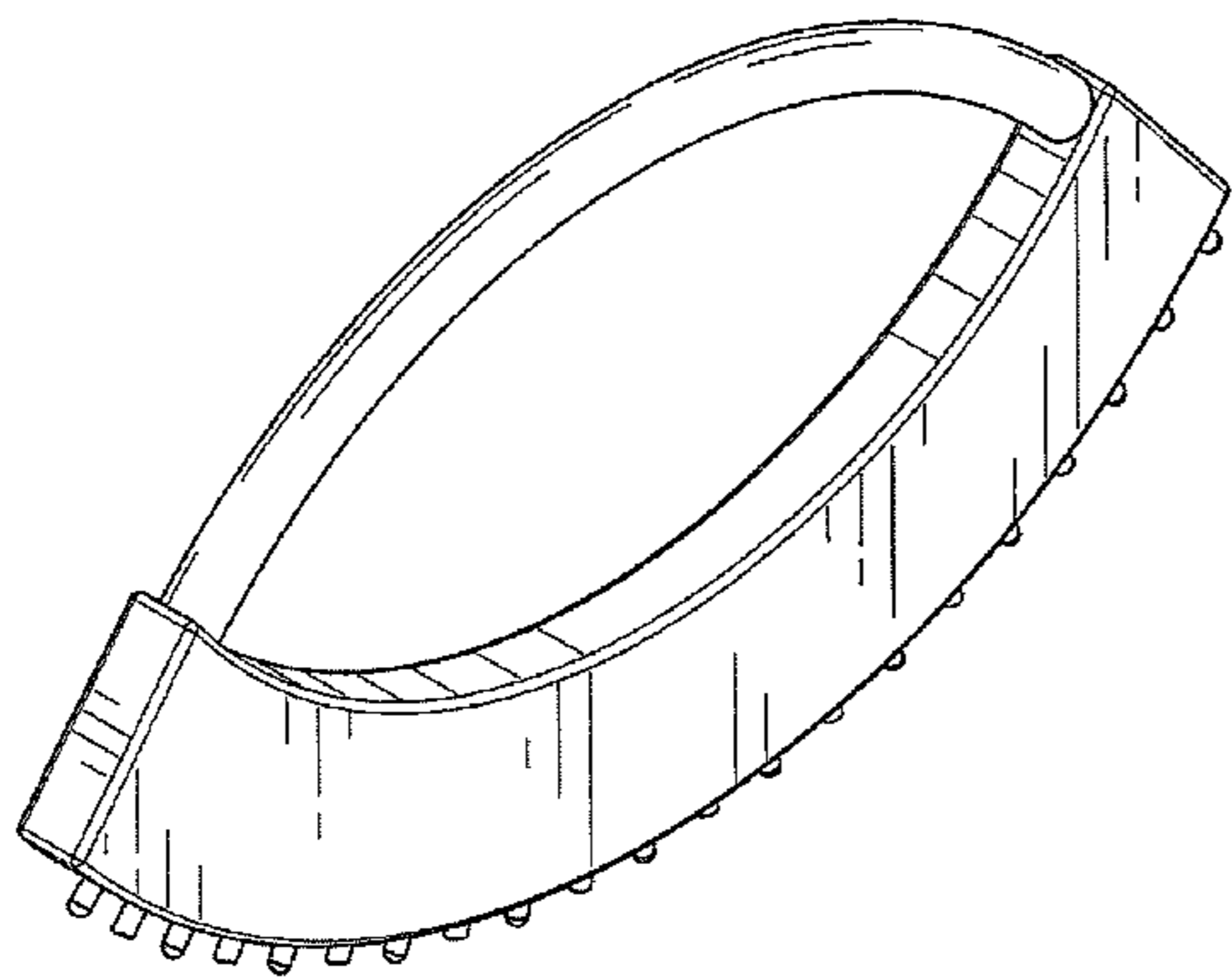
FIG. 6 is a bottom plan view thereof;

FIG. 7 is a right side elevation view thereof; and,

FIG. 8 is a left side elevation view thereof.

See application file for complete search history.

1 Claim, 3 Drawing Sheets



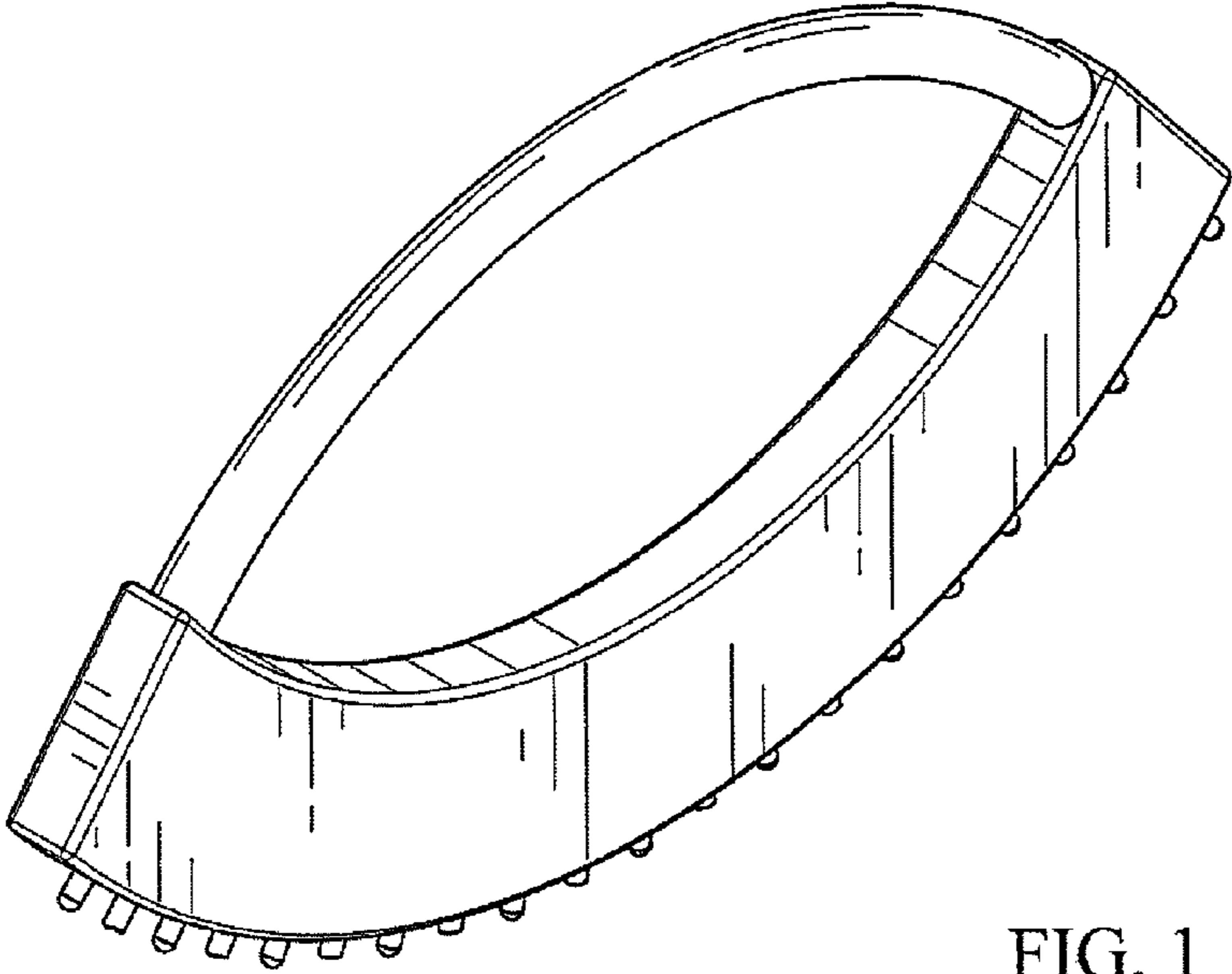


FIG. 1

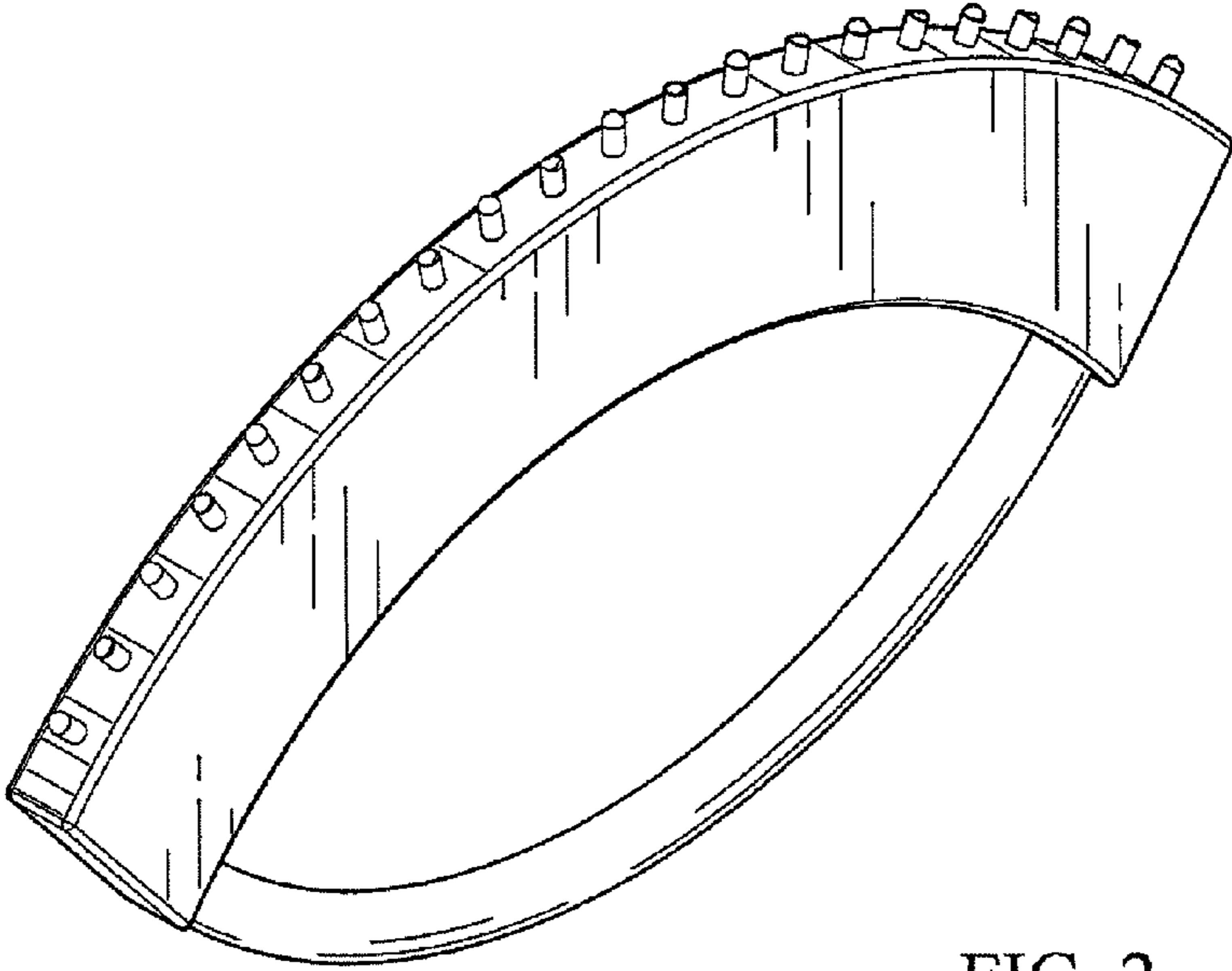


FIG. 2

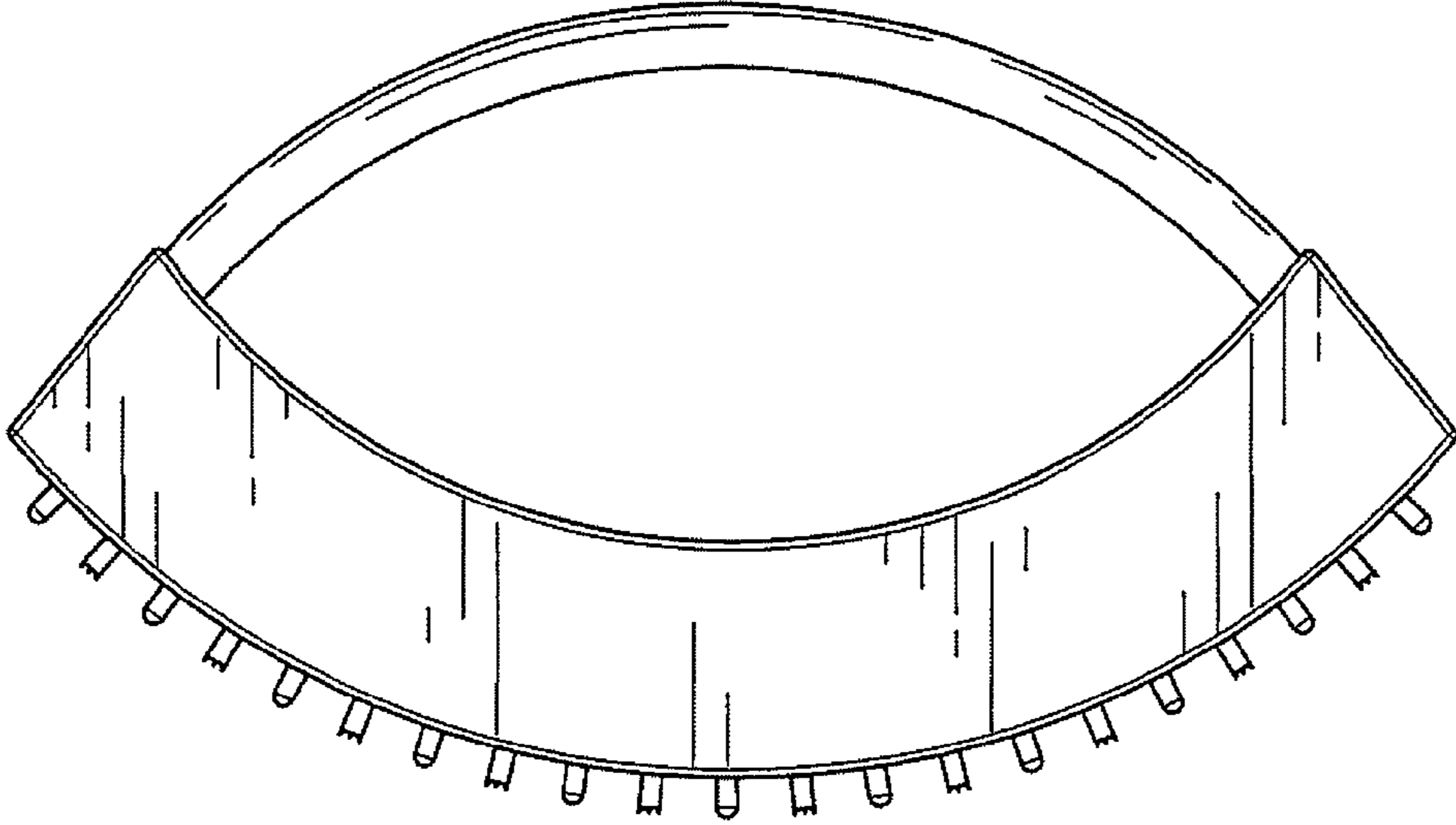


FIG. 3

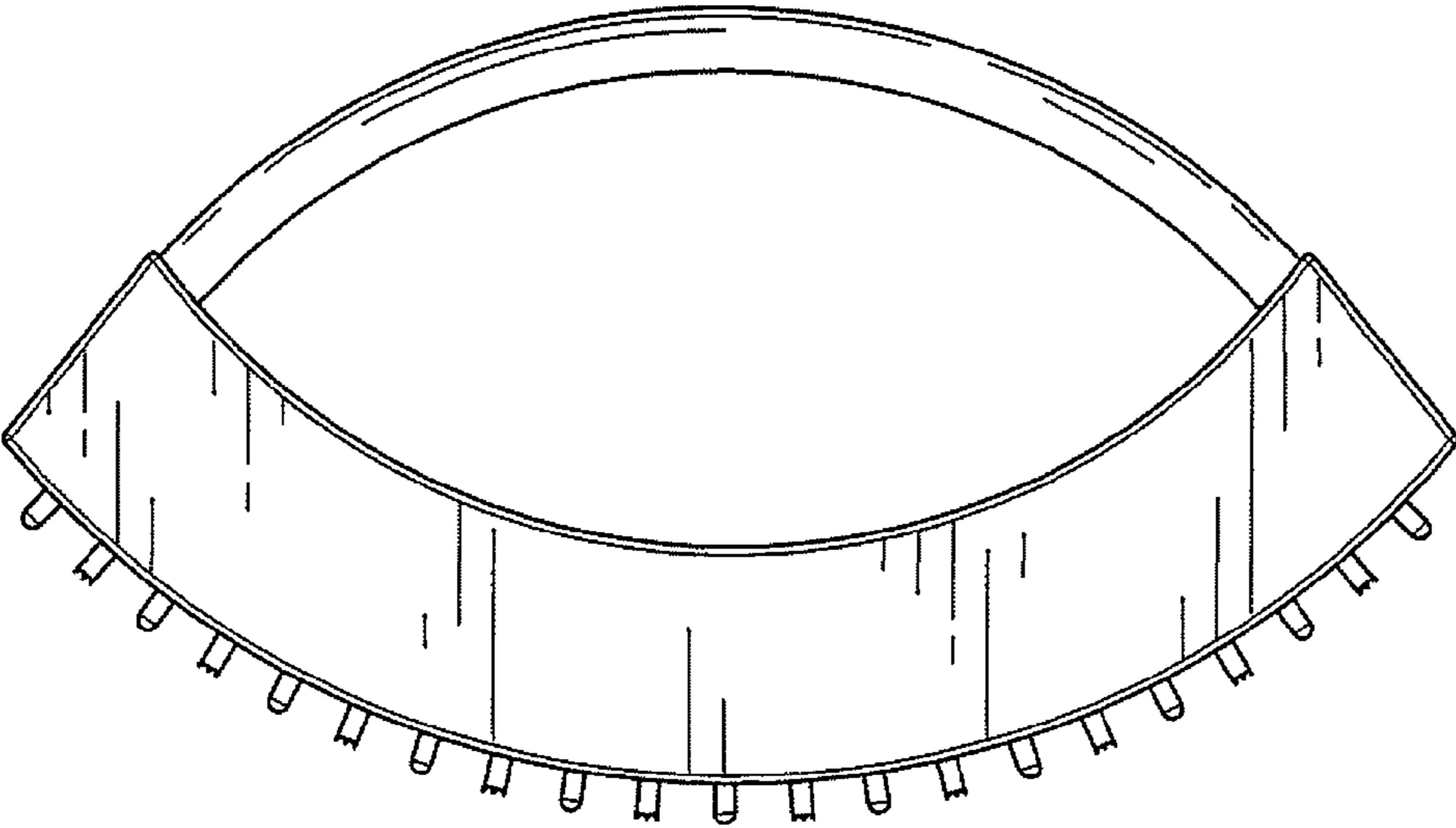


FIG. 4



FIG. 5



FIG. 6



FIG. 7

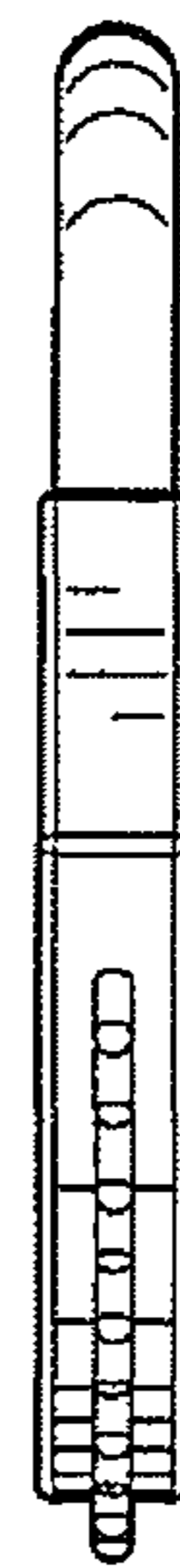


FIG. 8