



US00D709192S

(12) **United States Design Patent**  
**Czupalla et al.**

(10) **Patent No.:** **US D709,192 S**

(45) **Date of Patent:** **\*\* Jul. 15, 2014**

(54) **OTOSCOPE**

(71) Applicant: **Karl Storz GmbH & Co. KG,**  
Tuttlingen (DE)

(72) Inventors: **Christian Czupalla,** Singen (DE);  
**Stefan Weiss,** Tuttlingen (DE)

(73) Assignee: **KARL STORZ GmbH & Co. KG,**  
Tuttlingen (DE)

(\*\*) Term: **14 Years**

(21) Appl. No.: **29/439,549**

(22) Filed: **Dec. 12, 2012**

(30) **Foreign Application Priority Data**

Jun. 12, 2012 (EM) ..... 002055913-0010

(51) **LOC (10) Cl.** ..... **24-02**

(52) **U.S. Cl.**  
USPC ..... **D24/138**

(58) **Field of Classification Search**  
USPC ..... D24/138, 137, 133, 135, 140;  
600/101-183  
See application file for complete search history.

(56) **References Cited**

**U.S. PATENT DOCUMENTS**

5,682,199 A \* 10/1997 Lankford ..... 348/72  
D474,276 S \* 5/2003 Greise et al. .... D16/219  
D501,864 S \* 2/2005 Greise et al. .... D16/219  
D560,803 S \* 1/2008 Tasse et al. .... D24/133  
D607,032 S \* 12/2009 Halleck et al. .... D16/202

D628,692 S \* 12/2010 Greenhalgh ..... D24/133  
D638,935 S \* 5/2011 Gilmore et al. .... D24/133  
D639,428 S \* 6/2011 Yasue et al. .... D24/137  
D651,312 S \* 12/2011 Halleck et al. .... D24/138  
D663,344 S \* 7/2012 Yasue et al. .... D16/219  
D683,851 S \* 6/2013 Greenhalgh ..... D24/133  
2007/0270788 A1\* 11/2007 Nahen et al. .... 606/15  
2013/0267784 A1\* 10/2013 Andreassen et al. .... 600/200

\* cited by examiner

*Primary Examiner* — Bridget L Eland

(74) *Attorney, Agent, or Firm* — Muncy, Geissler, Olds & Lowe, P.C.

(57) **CLAIM**

The ornamental design for an otoscope, as shown and described.

**DESCRIPTION**

FIG. 1 is a left side elevational view of an otoscope according to the present invention.

FIG. 2 is a right side elevational view of the otoscope of FIG. 1.

FIG. 3 is a front elevational view of the otoscope of FIG. 1.

FIG. 4 is a rear elevational view of the otoscope of FIG. 1.

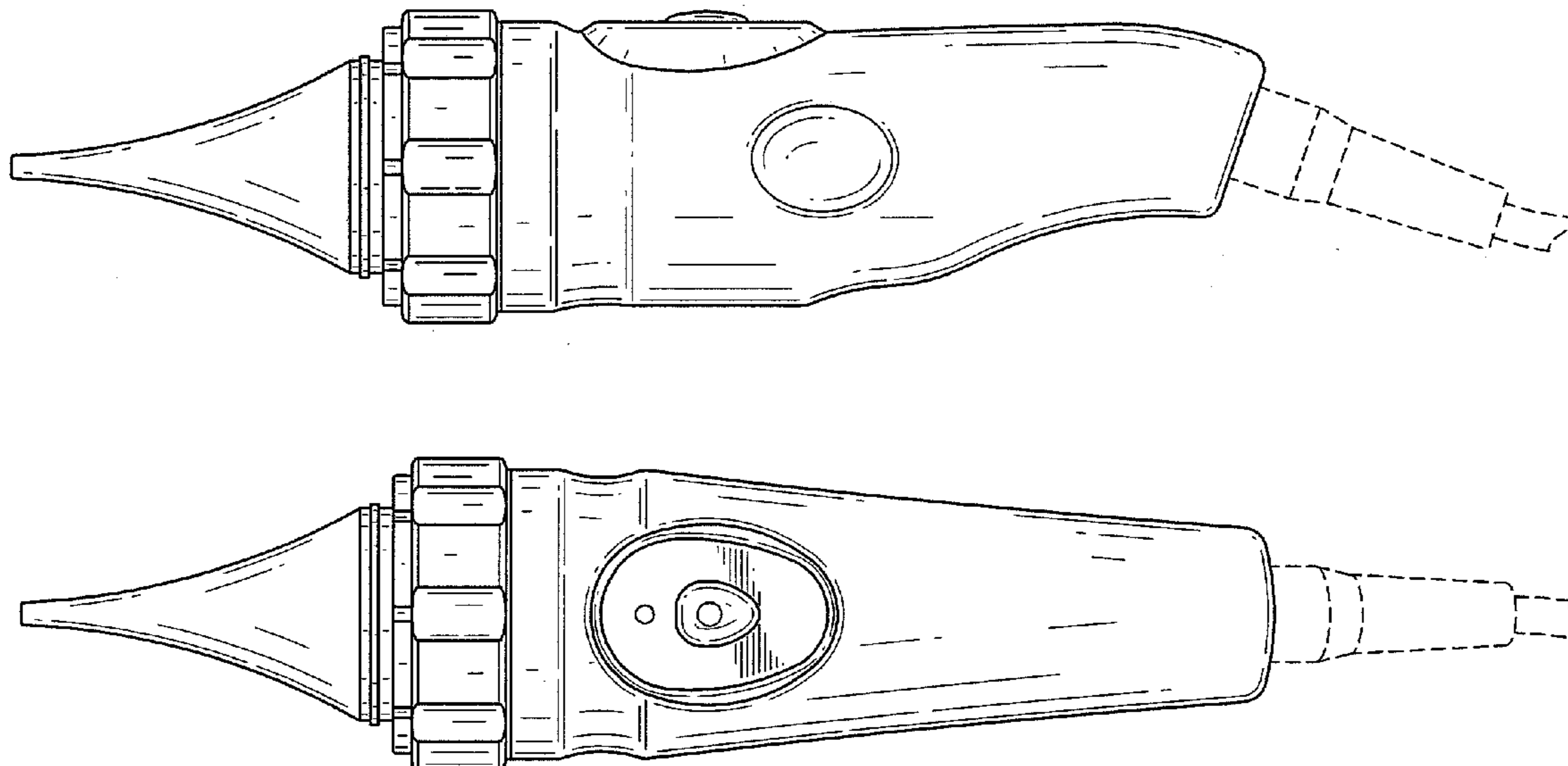
FIG. 5 is a top plan view of the otoscope of FIG. 1.

FIG. 6 is a bottom plan view of the otoscope of FIG. 1; and,

FIG. 7 is a perspective view of the otoscope of FIG. 1.

The dashed lines illustrate environment that does not form a part of the present invention, and no claim is made to the material illustrated with dashed lines.

**1 Claim, 6 Drawing Sheets**



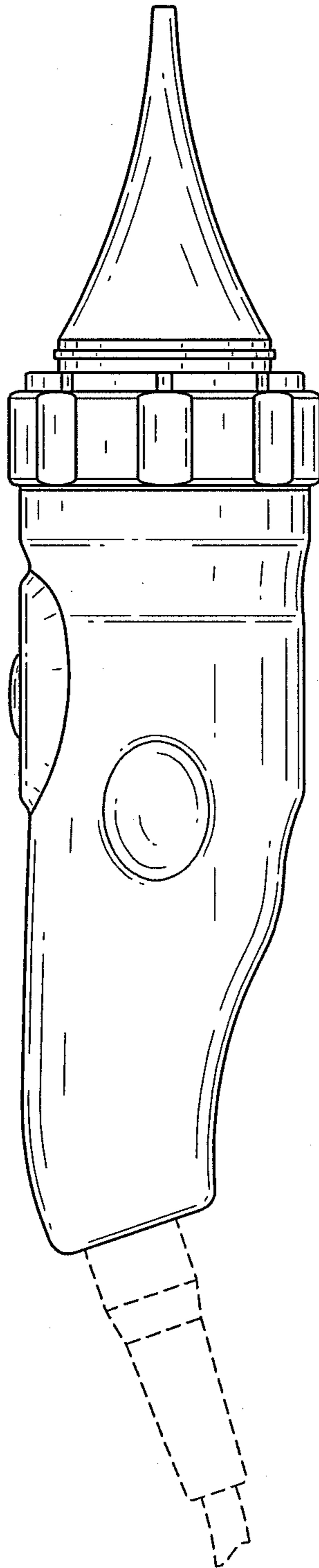


FIG.1

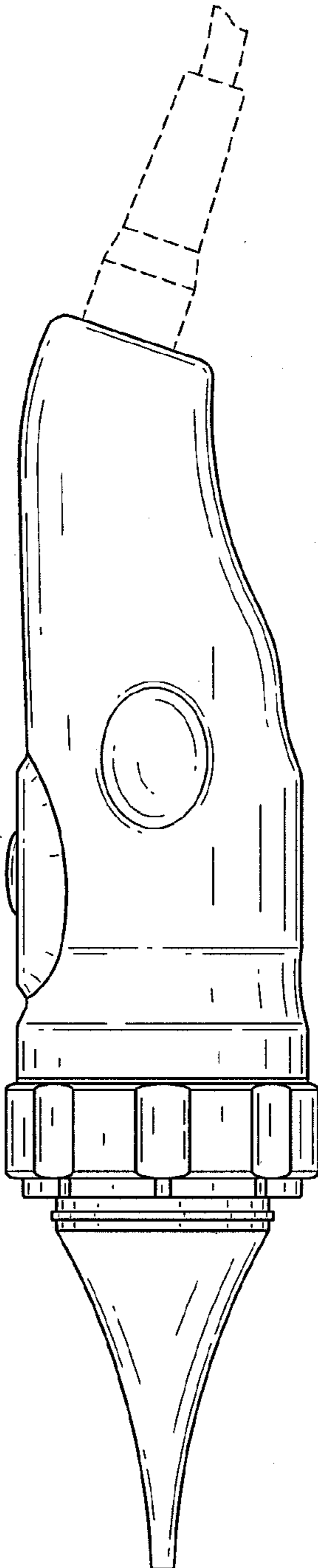


FIG.2

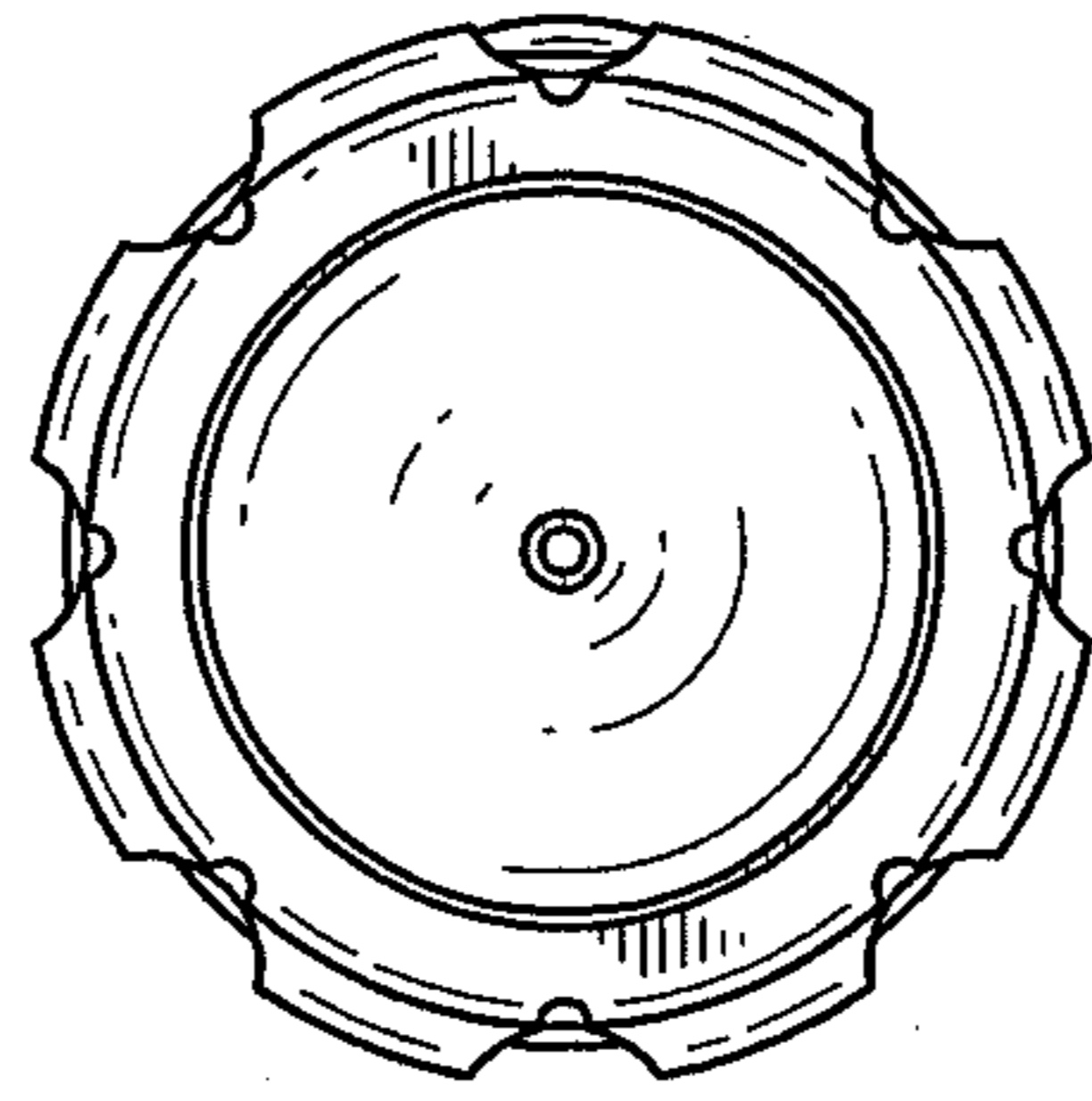


FIG.3

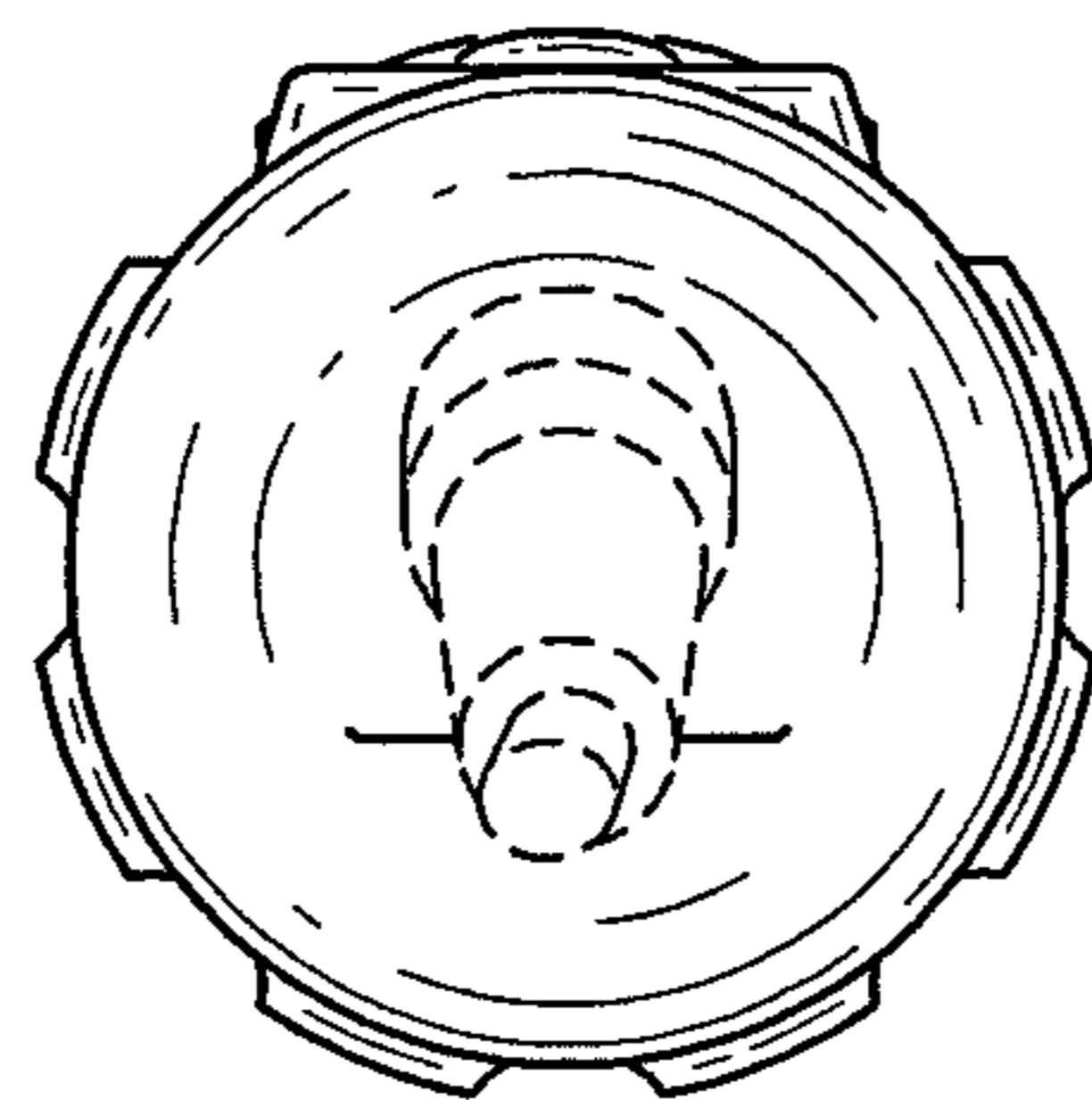


FIG.4

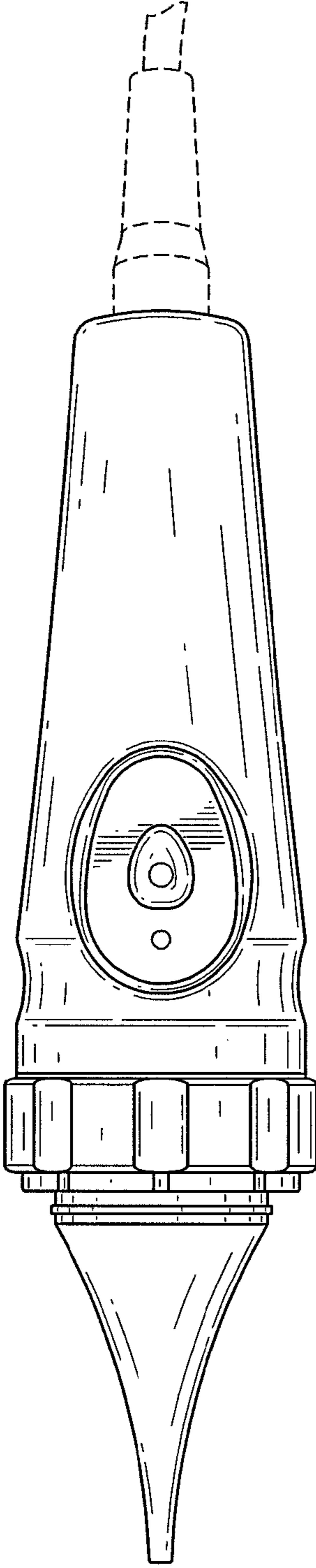


FIG.5

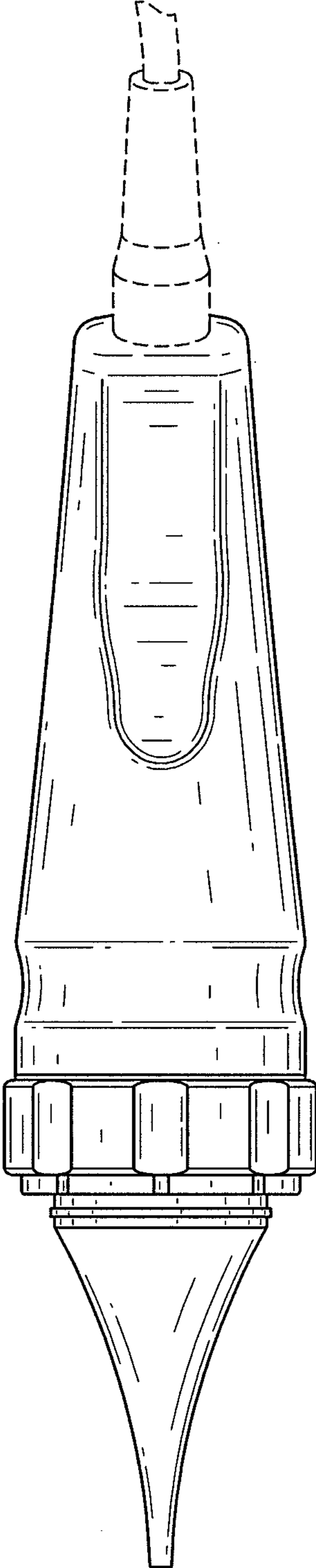


FIG. 6

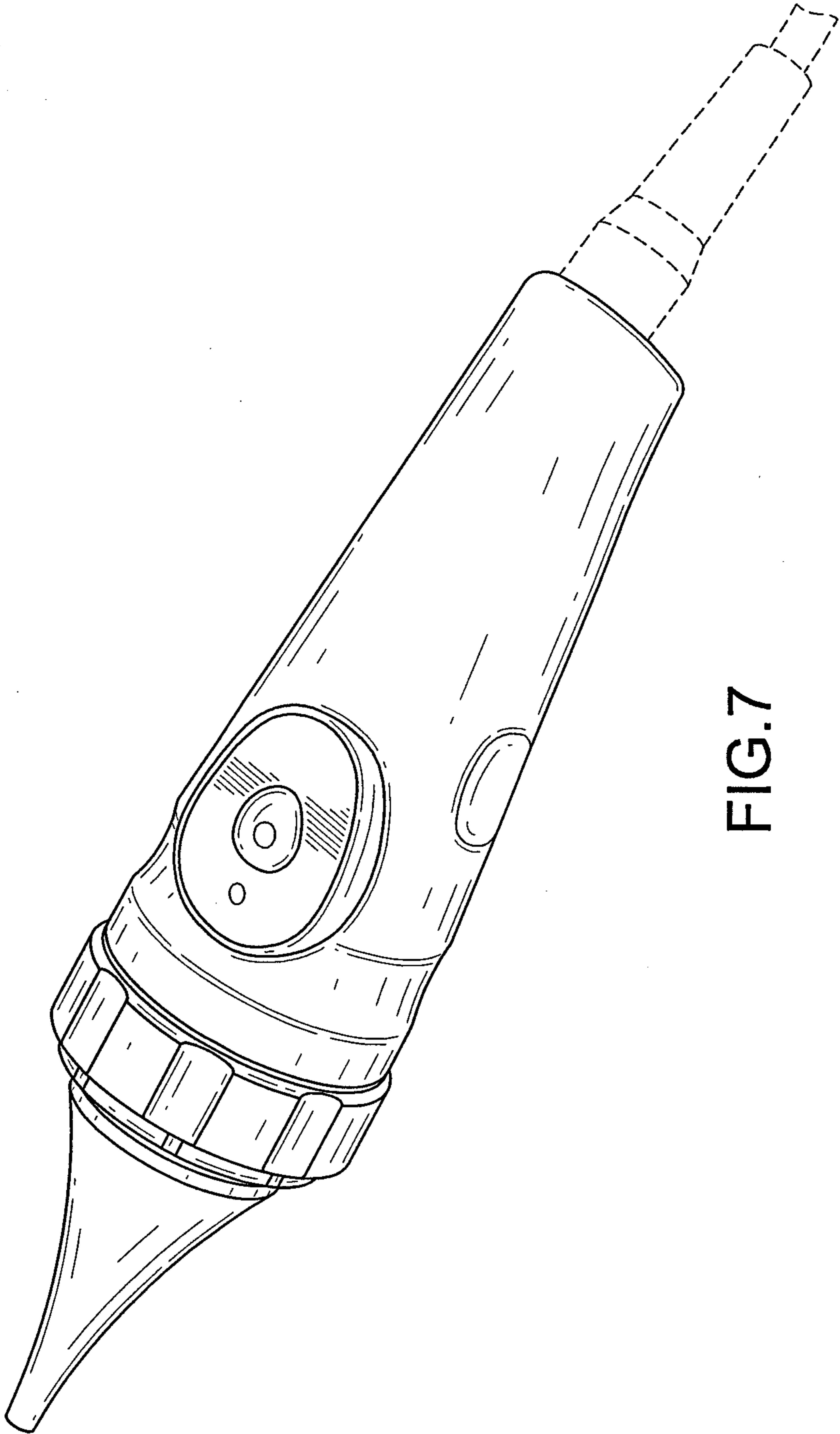


FIG.7