



US00D709191S

(12) **United States Design Patent**
Wood et al.

(10) **Patent No.:** **US D709,191 S**
(45) **Date of Patent:** **** Jul. 15, 2014**

(54) **OTOSCOPE**

(71) Applicant: **Welch Allyn, Inc.**, Skaneateles Falls, NY (US)

(72) Inventors: **Robert J. Wood**, Syracuse, NY (US);
Michael McAtamney, Navan (IE);
James J. Shortt, Trim (IE); **Stephen A. Montgomery**, Virginia (IE)

(73) Assignee: **Welch Allyn, Inc.**, Skaneateles Falls, NY (US)

(**) Term: **14 Years**

(21) Appl. No.: **29/440,339**

(22) Filed: **Dec. 20, 2012**

(51) **LOC (10) Cl.** **24-02**

(52) **U.S. Cl.**
USPC **D24/137**

(58) **Field of Classification Search**
USPC D24/137, 138, 150, 172; 351/218, 221,
351/205, 206; 606/4
See application file for complete search history.

(56) **References Cited**

U.S. PATENT DOCUMENTS

3,373,737 A * 3/1968 Connors et al. 600/200
D222,925 S * 2/1972 Pulos D24/137

3,698,387 A * 10/1972 Moore et al. 600/200
D238,099 S * 12/1975 Pulos D24/137
4,147,163 A * 4/1979 Newman et al. 600/200
D289,197 S * 4/1987 Ware et al. D24/137
6,130,520 A * 10/2000 Wawro et al. 320/114
D649,636 S * 11/2011 Bean et al. D24/133
2003/0100819 A1 * 5/2003 Newman et al. 600/300
2004/0039251 A1 * 2/2004 Roberts et al. 600/178
2004/0183482 A1 * 9/2004 Roberts et al. 315/363
2005/0171399 A1 * 8/2005 Rich et al. 600/112
2011/0015489 A1 * 1/2011 Raghuprasad 600/187

* cited by examiner

Primary Examiner — Bridget L Eland

(74) *Attorney, Agent, or Firm* — Merchant & Gould P.C.

(57) **CLAIM**

The ornamental design for an otoscope, as shown and described.

DESCRIPTION

FIG. 1 is a perspective view of the otoscope;
FIG. 2 is a front view;
FIG. 3 is a back view;
FIG. 4 is a right side view;
FIG. 5 is a left side view;
FIG. 6 is a top view; and,
FIG. 7 is a bottom view.
The broken lines in FIGS. 1-7 illustrate unclaimed features of the otoscope that form no part of the claimed design.

1 Claim, 6 Drawing Sheets

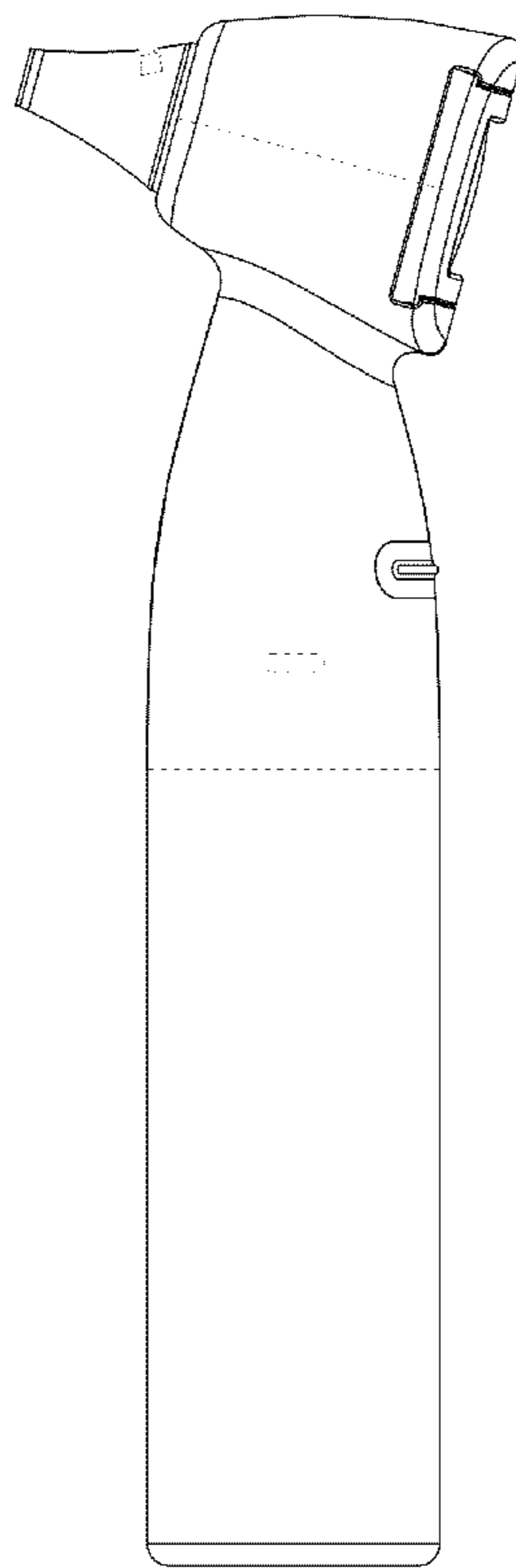
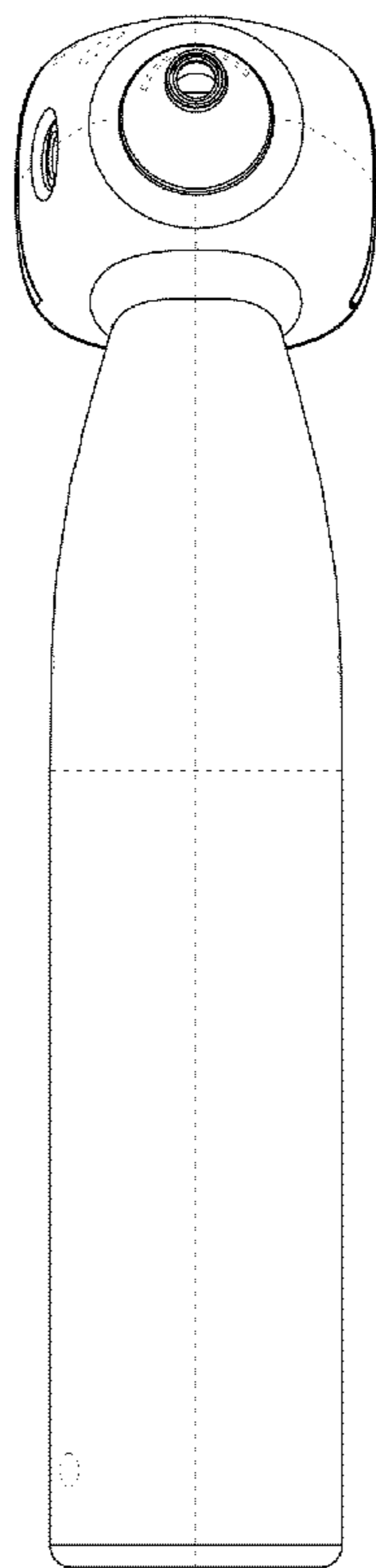


FIG. 1

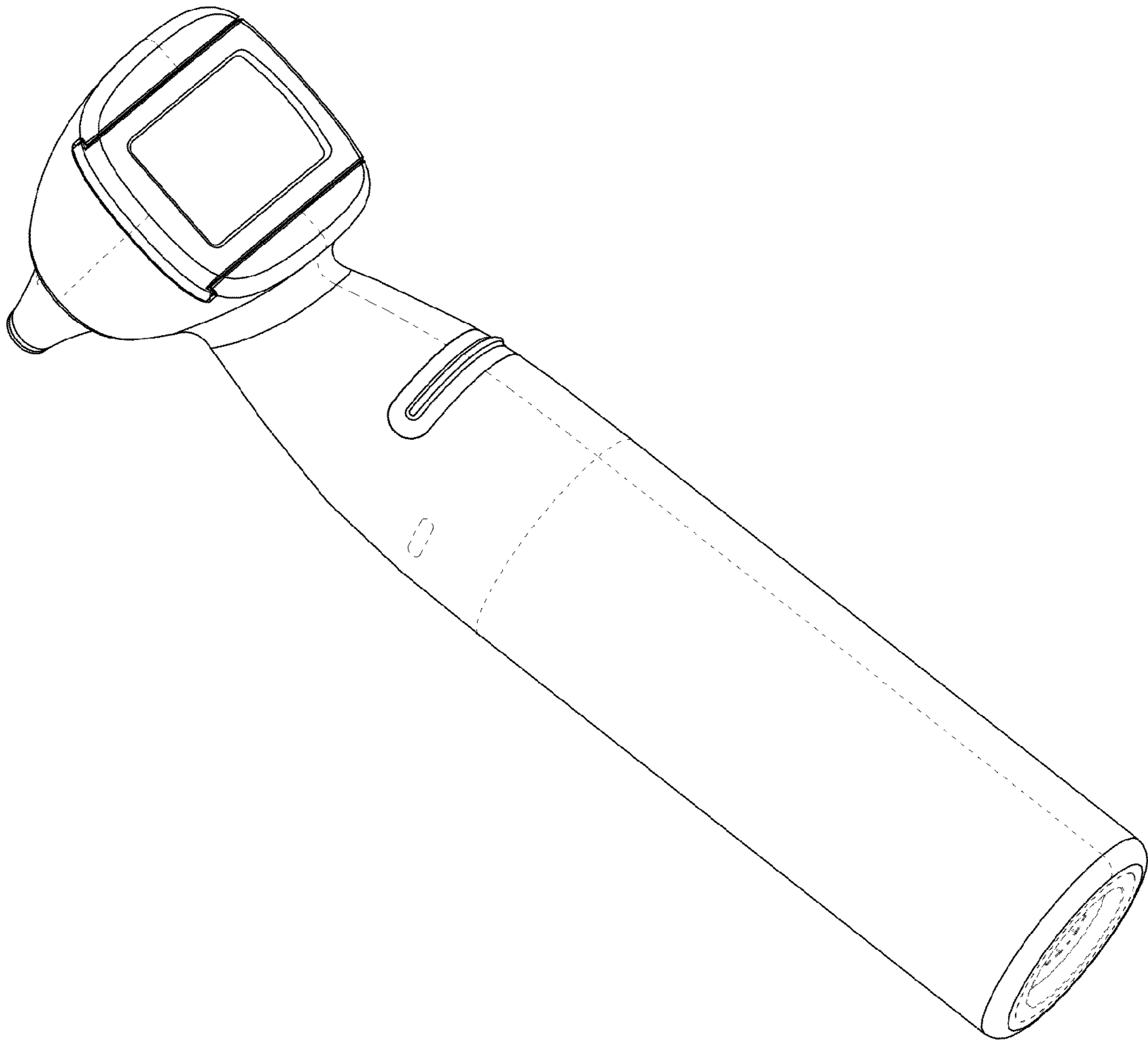


FIG. 2

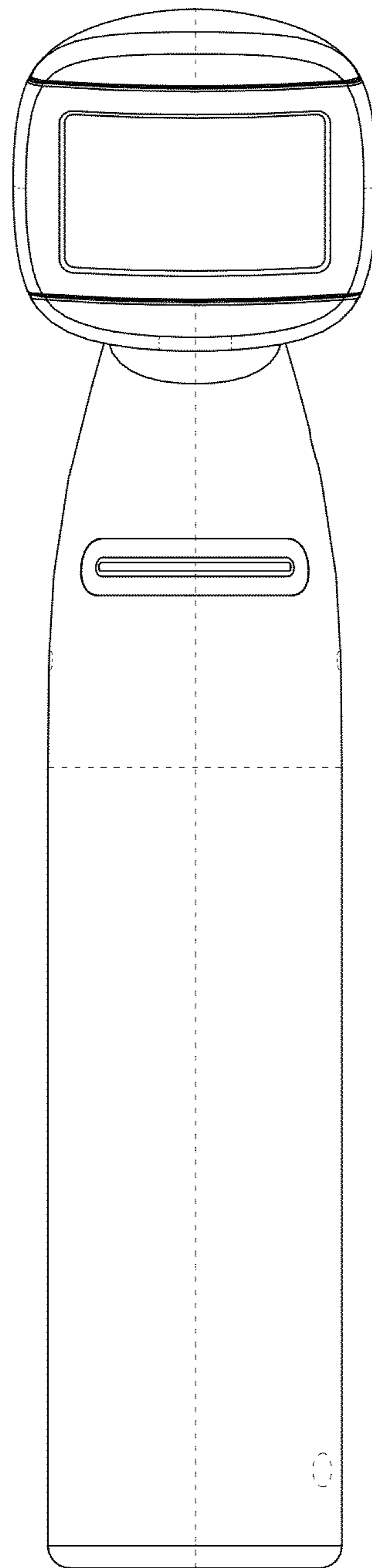


FIG. 3

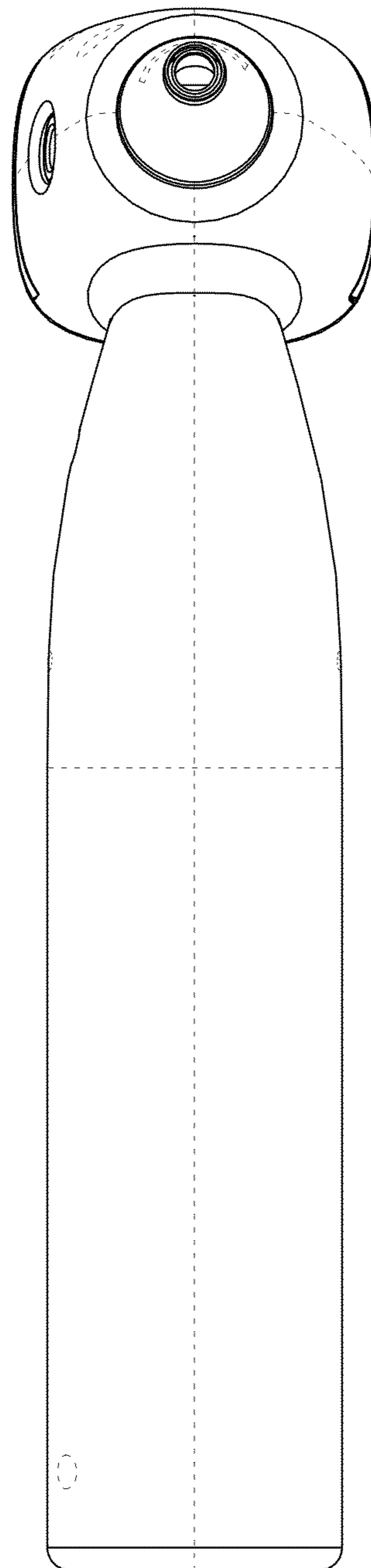


FIG. 4

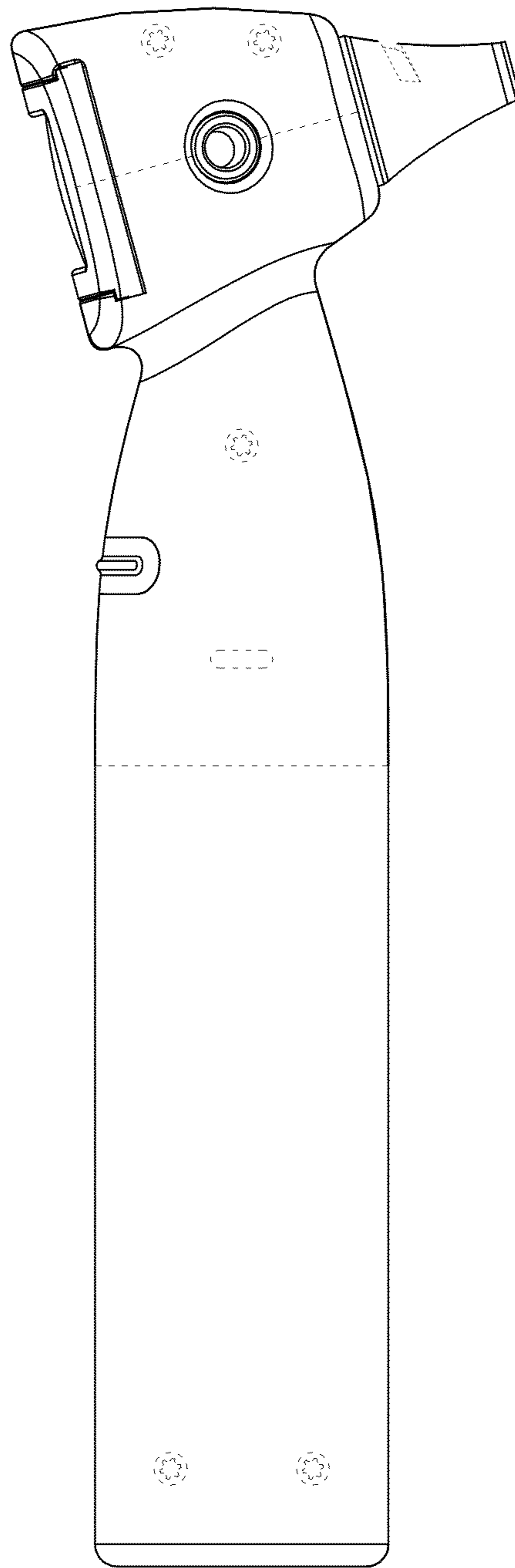


FIG. 5

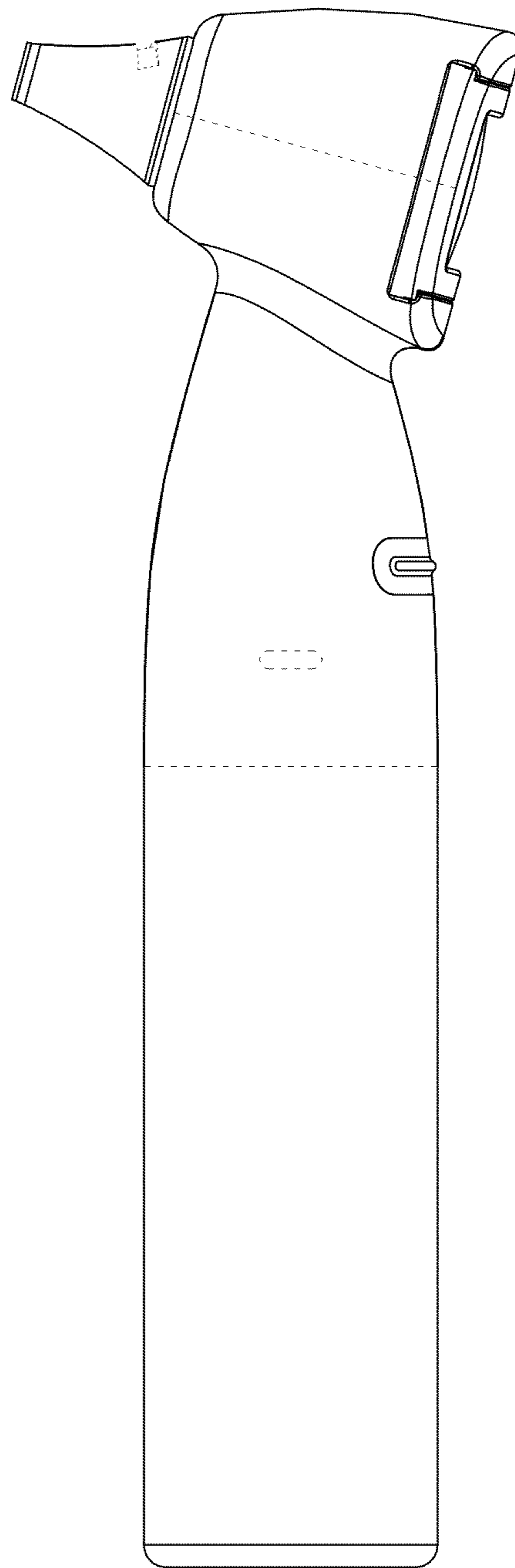


FIG. 6

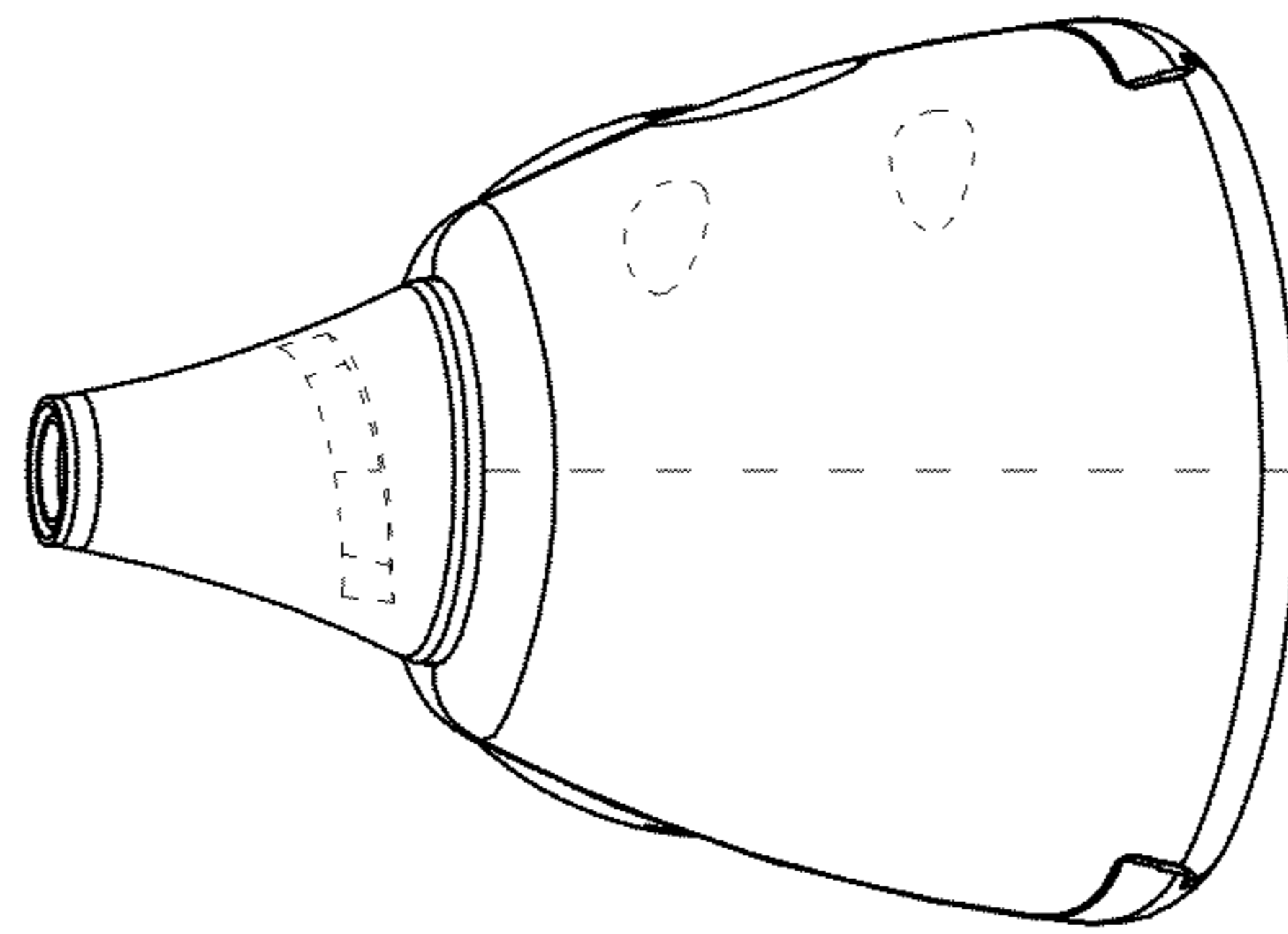


FIG. 7

