



US00D709190S

(12) **United States Design Patent**  
**Gilreath**

(10) **Patent No.:** **US D709,190 S**

(45) **Date of Patent:** **\*\* Jul. 15, 2014**

(54) **HANDLE FOR A MEDICAL DEVICE**

(71) Applicant: **EndoChoice, Inc.**, Alpharetta, GA (US)

(72) Inventor: **Mark Gilreath**, Alpharetta, GA (US)

(73) Assignee: **EndoChoice, Inc.**, Alpharetta, GA (US)

(\*\*) Term: **14 Years**

(21) Appl. No.: **29/441,579**

(22) Filed: **Jan. 7, 2013**

(51) **LOC (10) Cl.** ..... **24-02**

(52) **U.S. Cl.**  
USPC ..... **D24/133**

(58) **Field of Classification Search**  
USPC ..... D24/133, 137, 138, 143, 144, 145, 146,  
D24/147, 148, 149; 606/140  
See application file for complete search history.

(56) **References Cited**

**U.S. PATENT DOCUMENTS**

D550,840 S *	9/2007	Anderson et al. ....	D24/133
D573,711 S *	7/2008	Johnson et al. ....	D24/133
D649,641 S *	11/2011	Guttulsrud ....	D24/143
D680,220 S *	4/2013	Rachlin ....	D24/144

D681,810 S *	5/2013	DeCarlo .....	D24/144
D699,845 S *	2/2014	Leroy et al. ....	D24/144
D699,847 S *	2/2014	Leroy et al. ....	D24/144
2011/0046612 A1 *	2/2011	Gobron et al. ....	606/1
2011/0218521 A1 *	9/2011	Gerbec et al. ....	606/1

\* cited by examiner

*Primary Examiner* — Bridget L Eland

(74) *Attorney, Agent, or Firm* — Novel IP

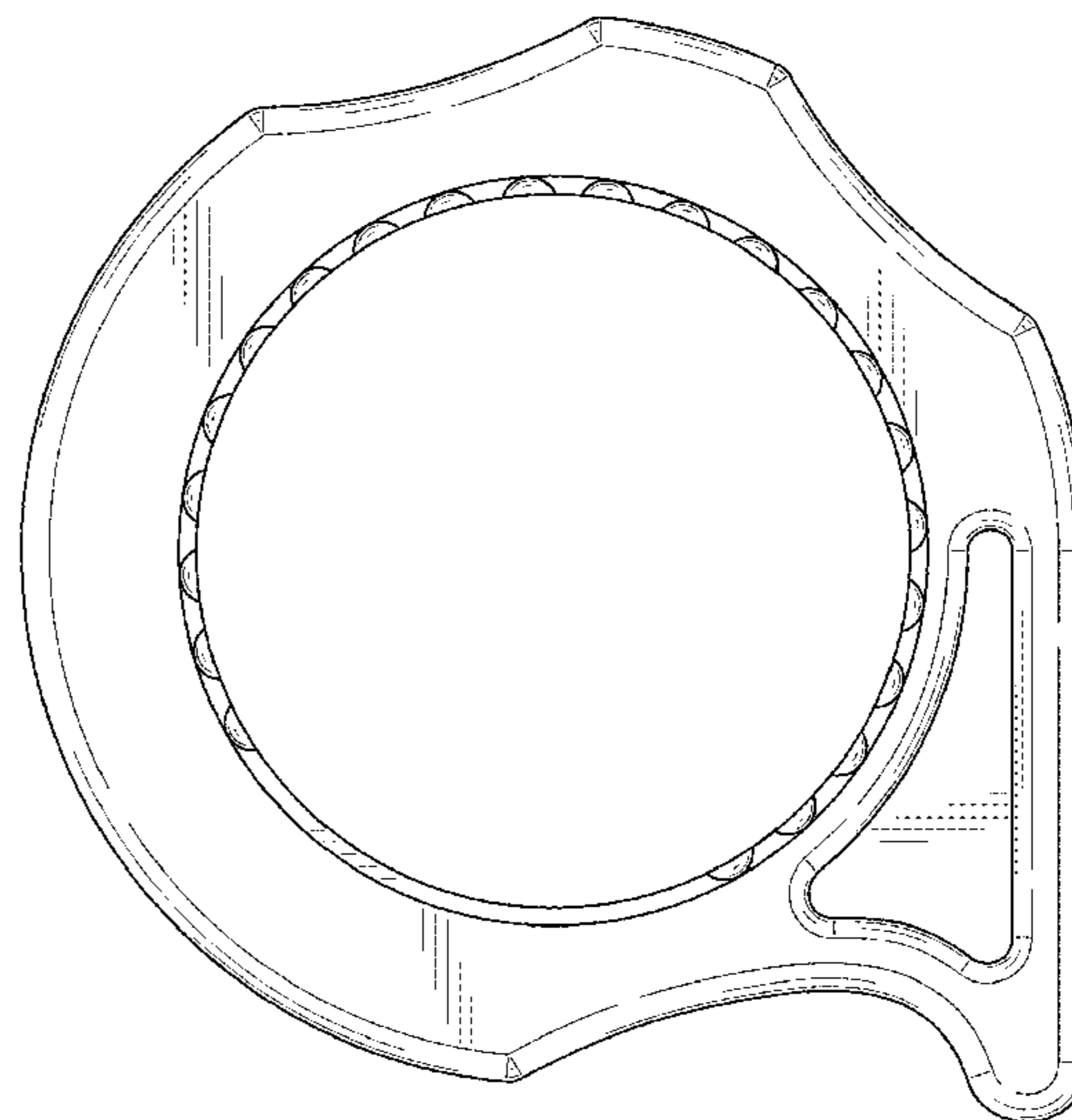
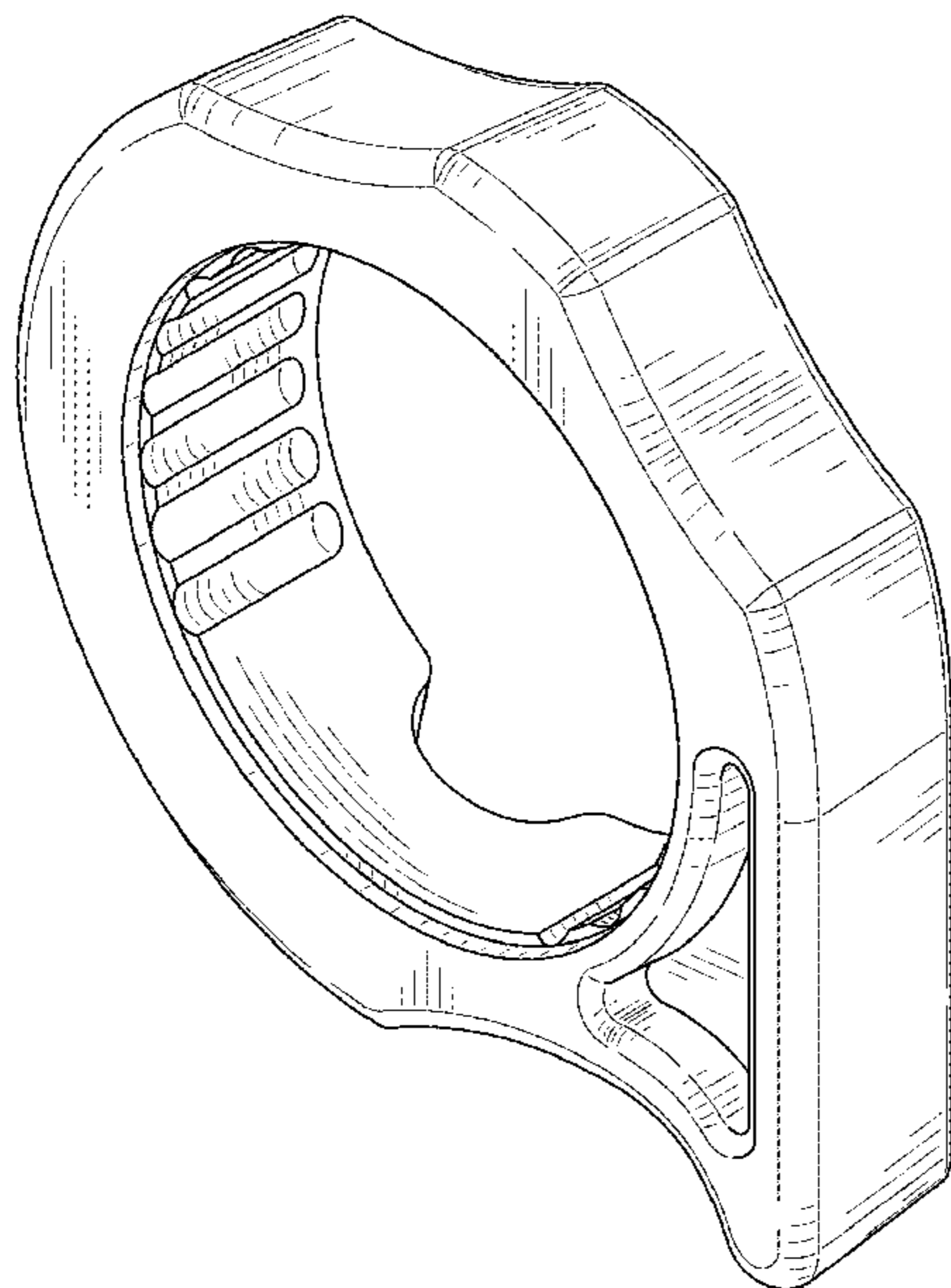
(57) **CLAIM**

The ornamental design for a handle for a medical device, as shown and described.

**DESCRIPTION**

FIG. 1 is a perspective view of a medical device handle;  
 FIG. 2 is a plan view thereof;  
 FIG. 3 is a plan view thereof;  
 FIG. 4 is a side elevation view thereof;  
 FIG. 5 is a side elevation view thereof; and,  
 FIG. 6 is a side elevation view thereof.  
 The short broken lines in FIGS. 1 to 6 represent surface shading and are intended to indicate surface contour and are not intended to be surface ornamentation.  
 The article in which the design is embodied is intended to be used for holding and handling a medical device, such as a band ligation device.

**1 Claim, 4 Drawing Sheets**



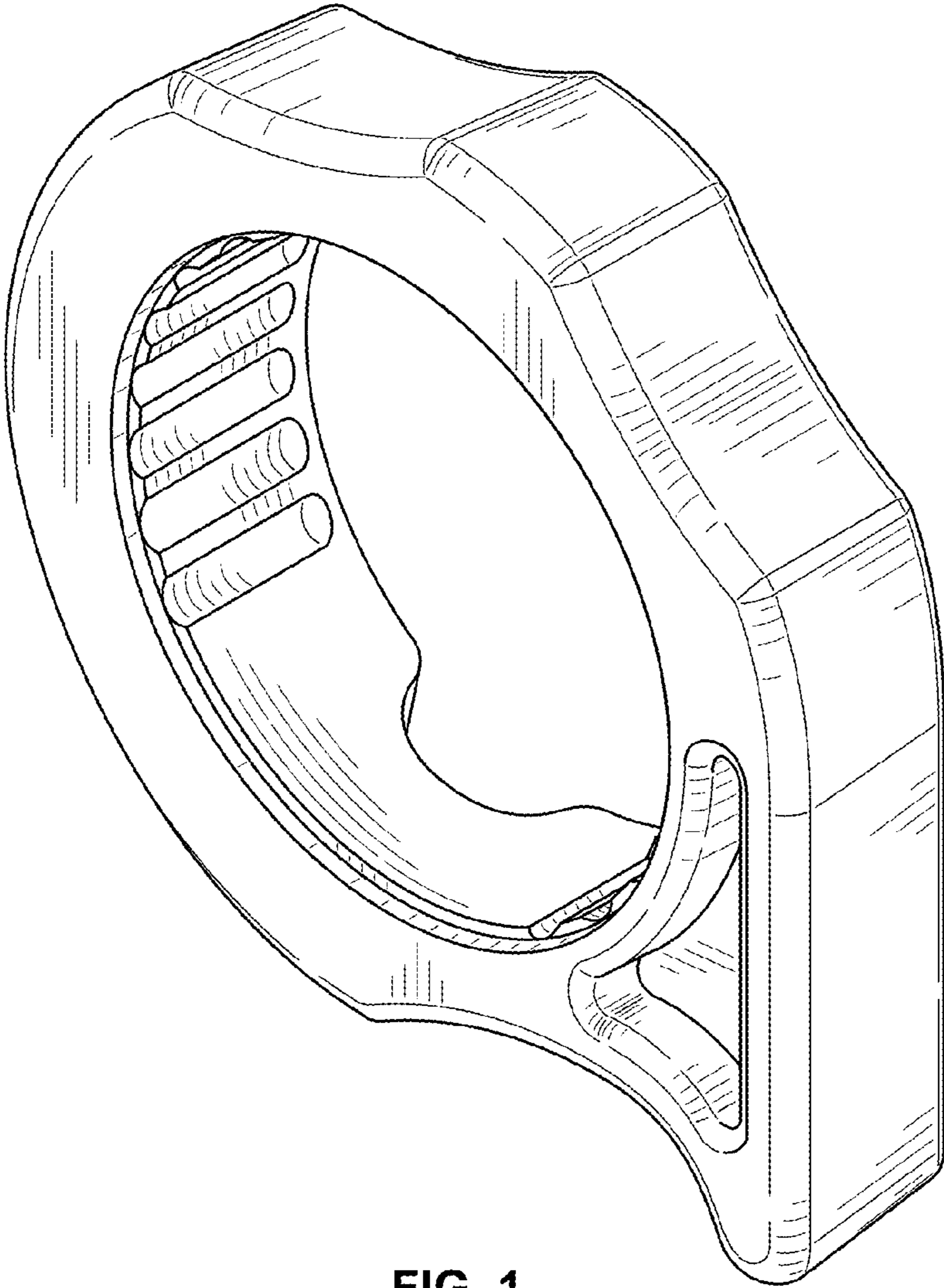


FIG. 1

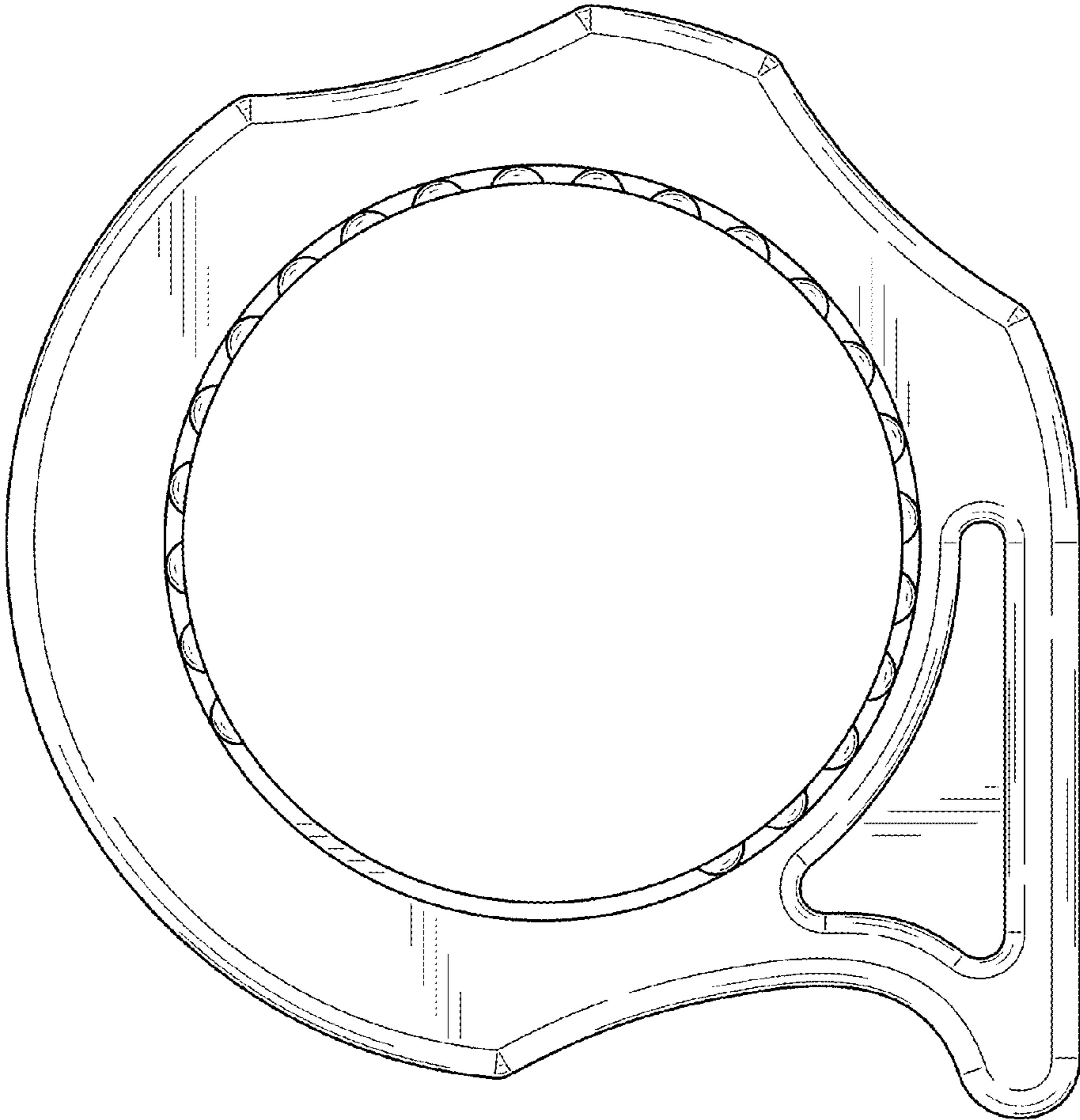


FIG. 2

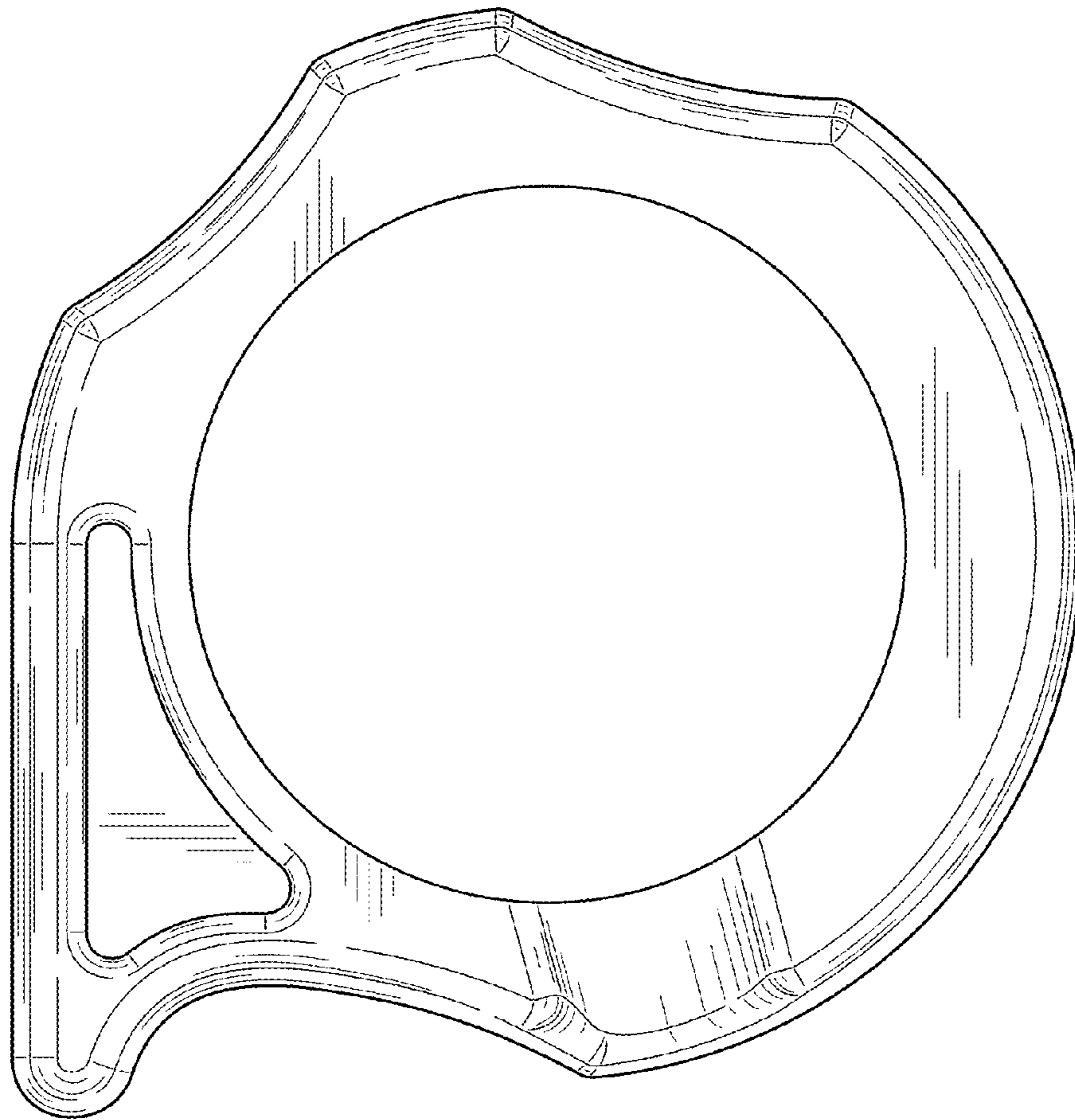


FIG. 3

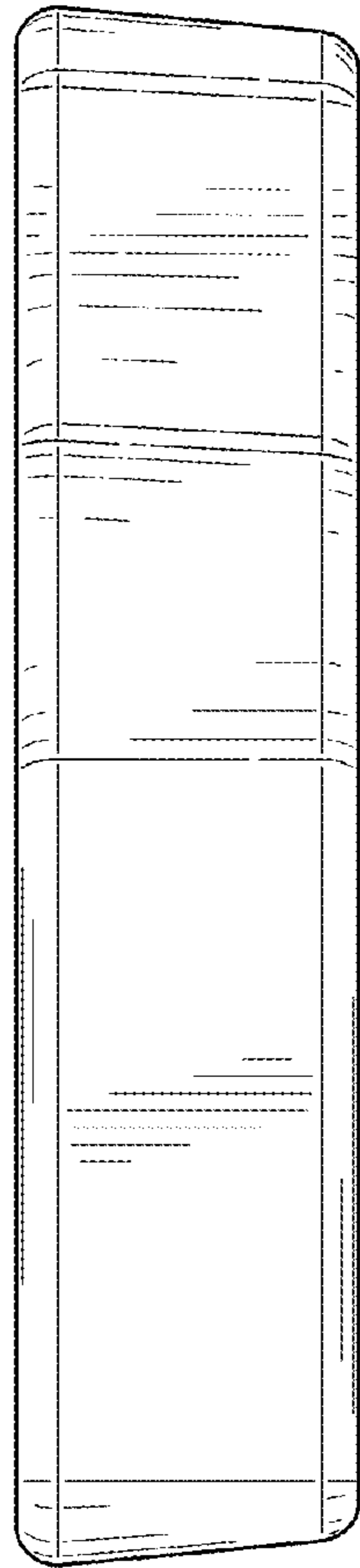


FIG. 4

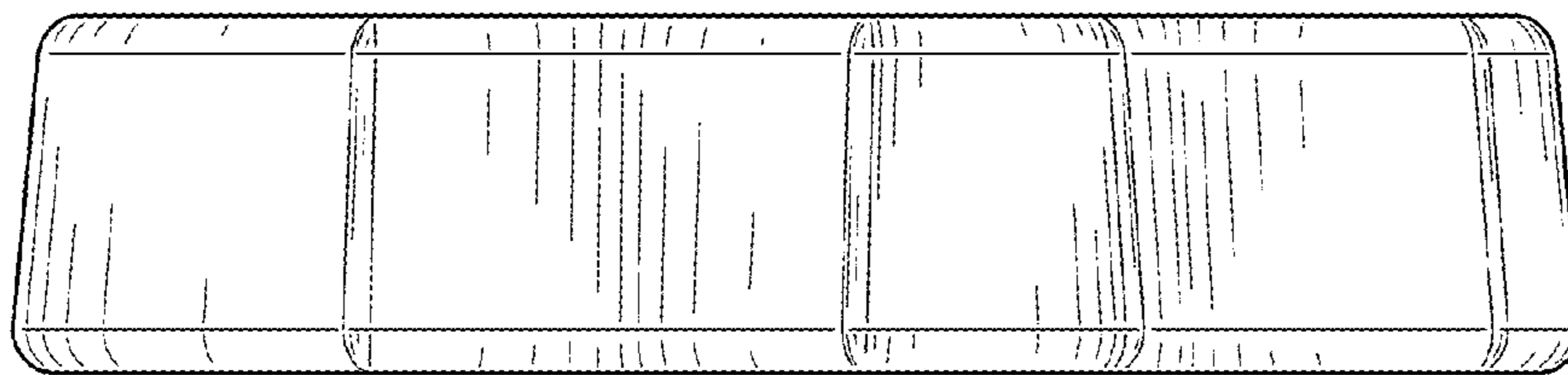


FIG. 5

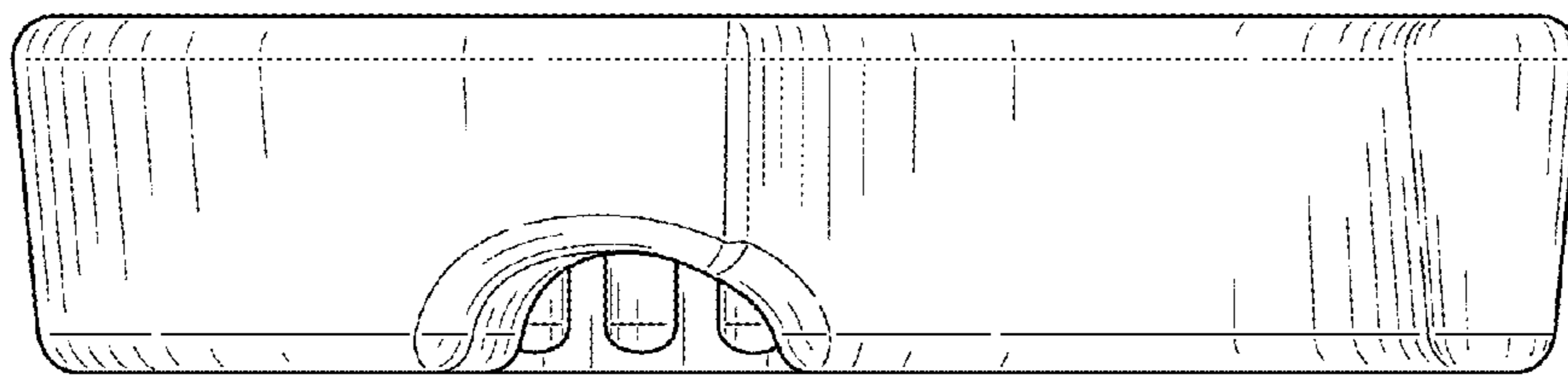


FIG. 6