



US00D709187S

(12) **United States Design Patent**
Li

(10) **Patent No.:** **US D709,187 S**
(45) **Date of Patent:** **** Jul. 15, 2014**

(54) **TUBING CONNECTOR FOR BREAST PUMPS**

(75) Inventor: **Liang-chi Li**, Kaohsiung (TW)

(73) Assignee: **Maymom**, Mio-Li (TW)

(**) Term: **14 Years**

(21) Appl. No.: **29/420,331**

(22) Filed: **May 8, 2012**

(51) **LOC (10) Cl.** **24-02**

(52) **U.S. Cl.**
CPC **A61M 39/00** (2013.01)
USPC **D24/129**

(58) **Field of Classification Search**
CPC A61M 39/00–39/288
USPC D24/109, 111, 129, 130; 604/239–249
See application file for complete search history.

(56) **References Cited**

U.S. PATENT DOCUMENTS

D375,357 S *	11/1996	Silver	D24/129
7,666,162 B2 *	2/2010	Renz et al.	604/74
D615,648 S *	5/2010	Burke	D24/130
7,776,008 B2 *	8/2010	Renz et al.	604/74

7,776,009 B2 *	8/2010	Renz et al.	604/74
7,806,855 B2 *	10/2010	Kliegman et al.	604/74
7,972,297 B2 *	7/2011	Bryan et al.	604/74
8,109,901 B2 *	2/2012	Bryan et al.	604/74
8,257,286 B2 *	9/2012	Meyer et al.	601/148
8,257,287 B2 *	9/2012	Hanlon et al.	601/151
8,287,517 B2 *	10/2012	Hanlon et al.	604/533
8,323,235 B2 *	12/2012	Bryan et al.	604/74

* cited by examiner

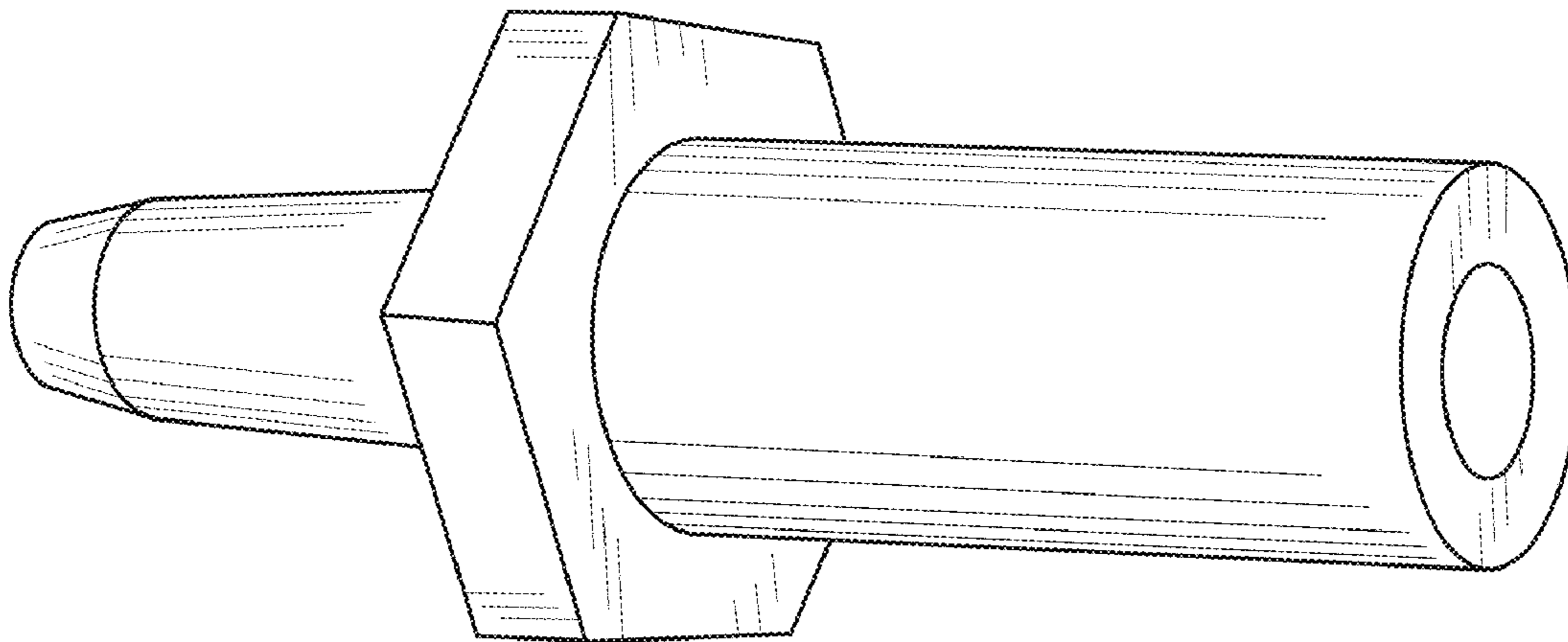
Primary Examiner — Richard E Chilcot

(57) **CLAIM**
The ornamental design for a tubing connector for breast pumps, as shown.

DESCRIPTION

FIG. 1 is a perspective view of a tubing connector for breast pumps showing my new design;
FIG. 2 is another perspective view thereof;
FIG. 3 is an elevational front view thereof, the elevational rear view being the mirror image of FIG. 3;
FIG. 4 is an end view from the left thereof;
FIG. 5 is an end view from the right thereof; and,
FIG. 6 is an elevational bottom view thereof, the elevational top view being the mirror image of FIG. 6.

1 Claim, 2 Drawing Sheets



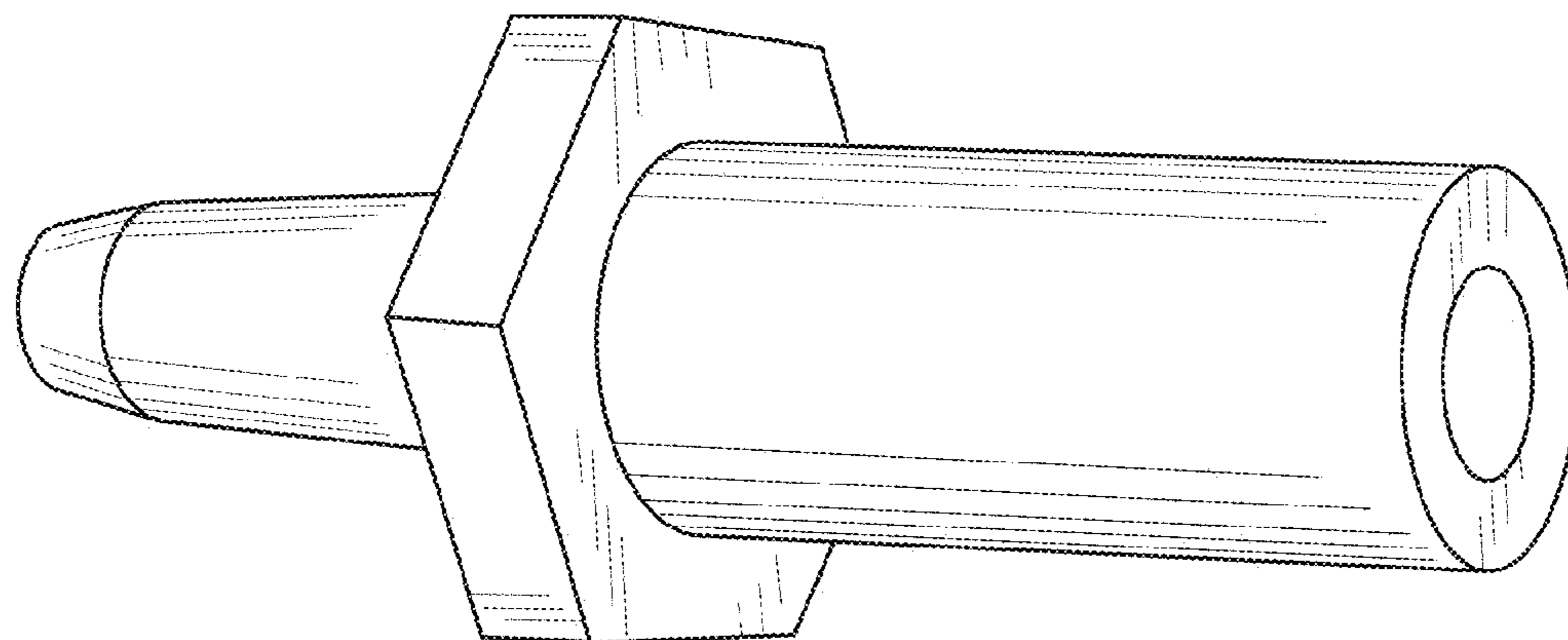


FIG. 1

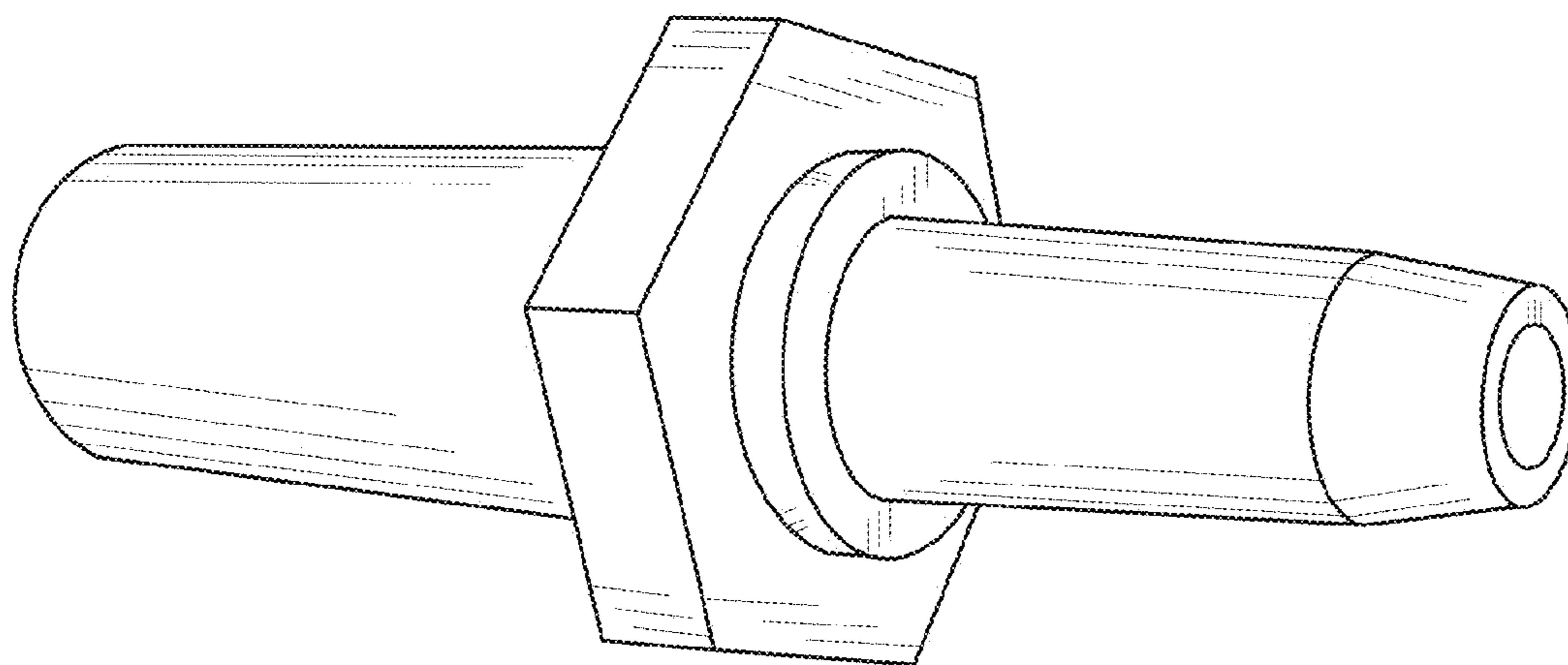


FIG. 2

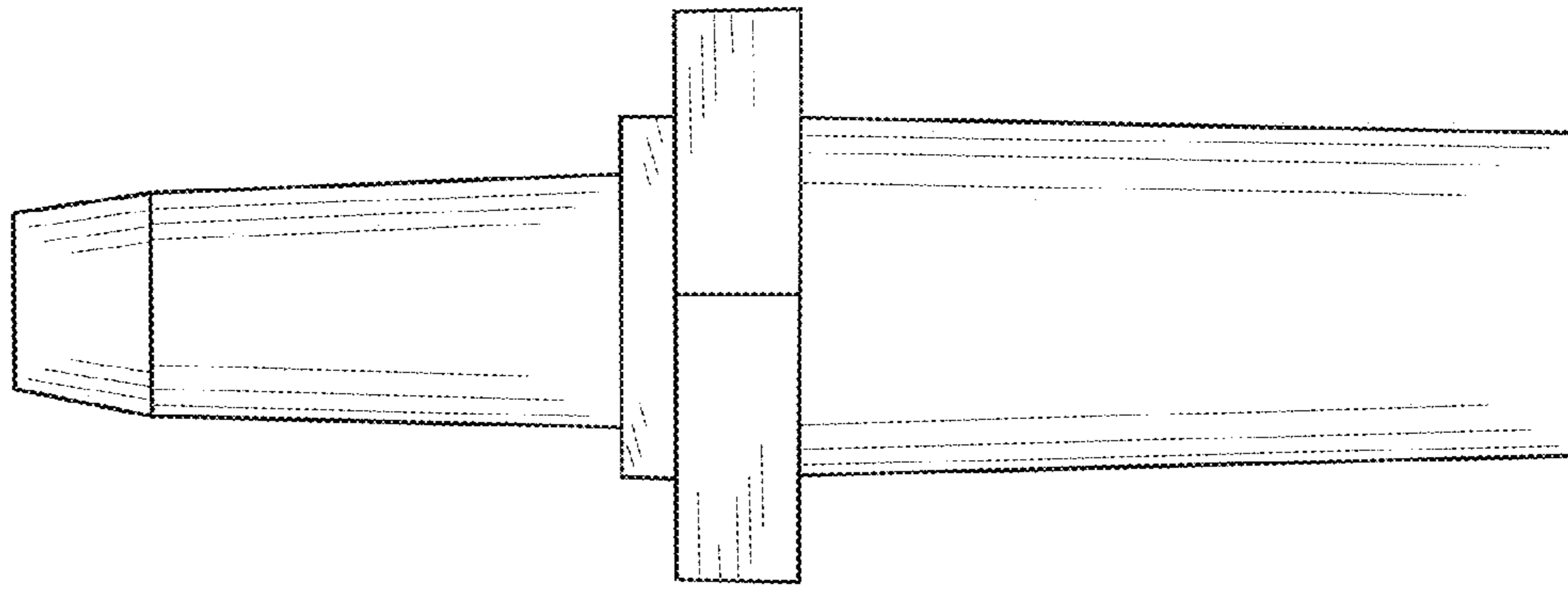


FIG. 3

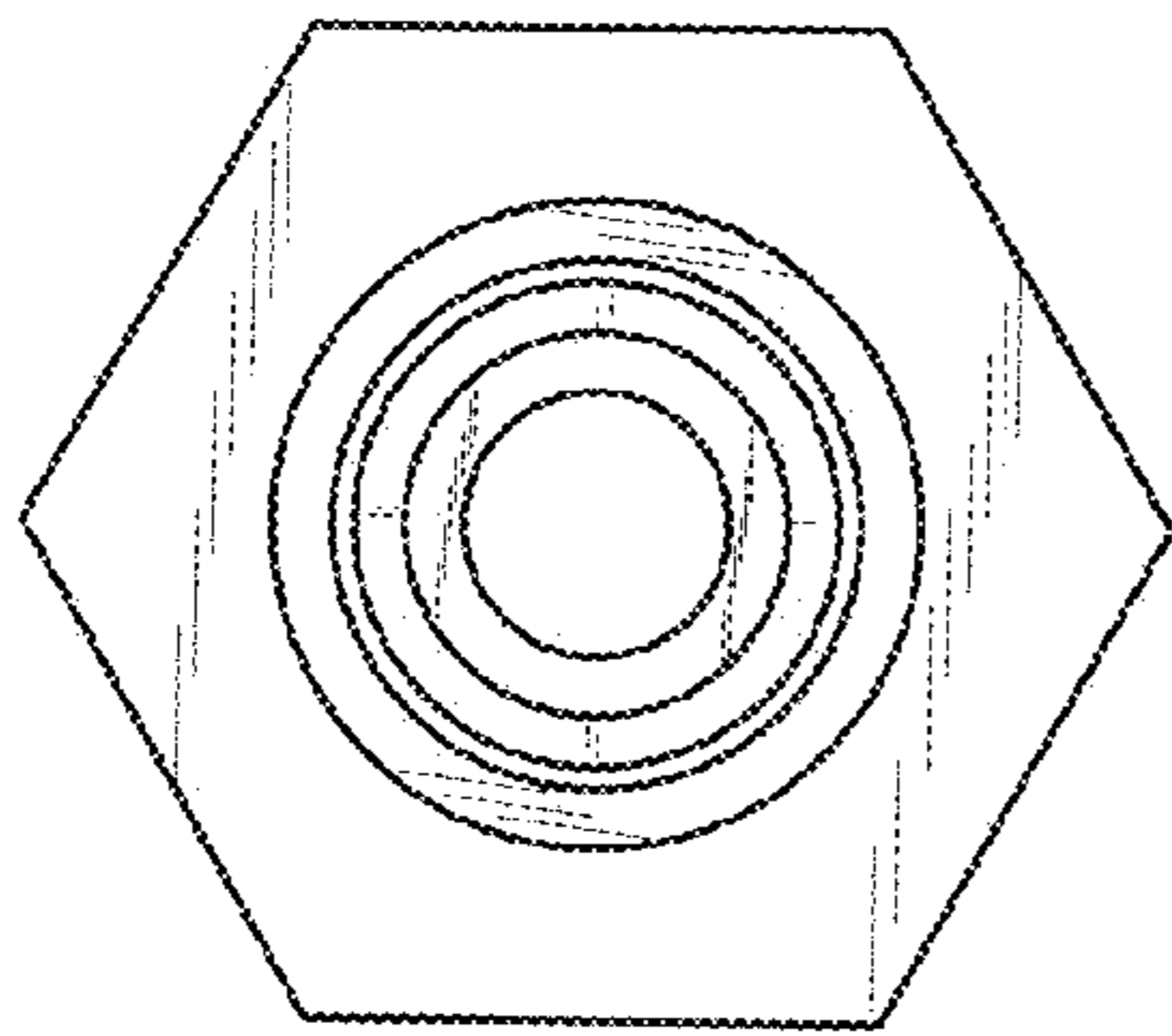


FIG. 4

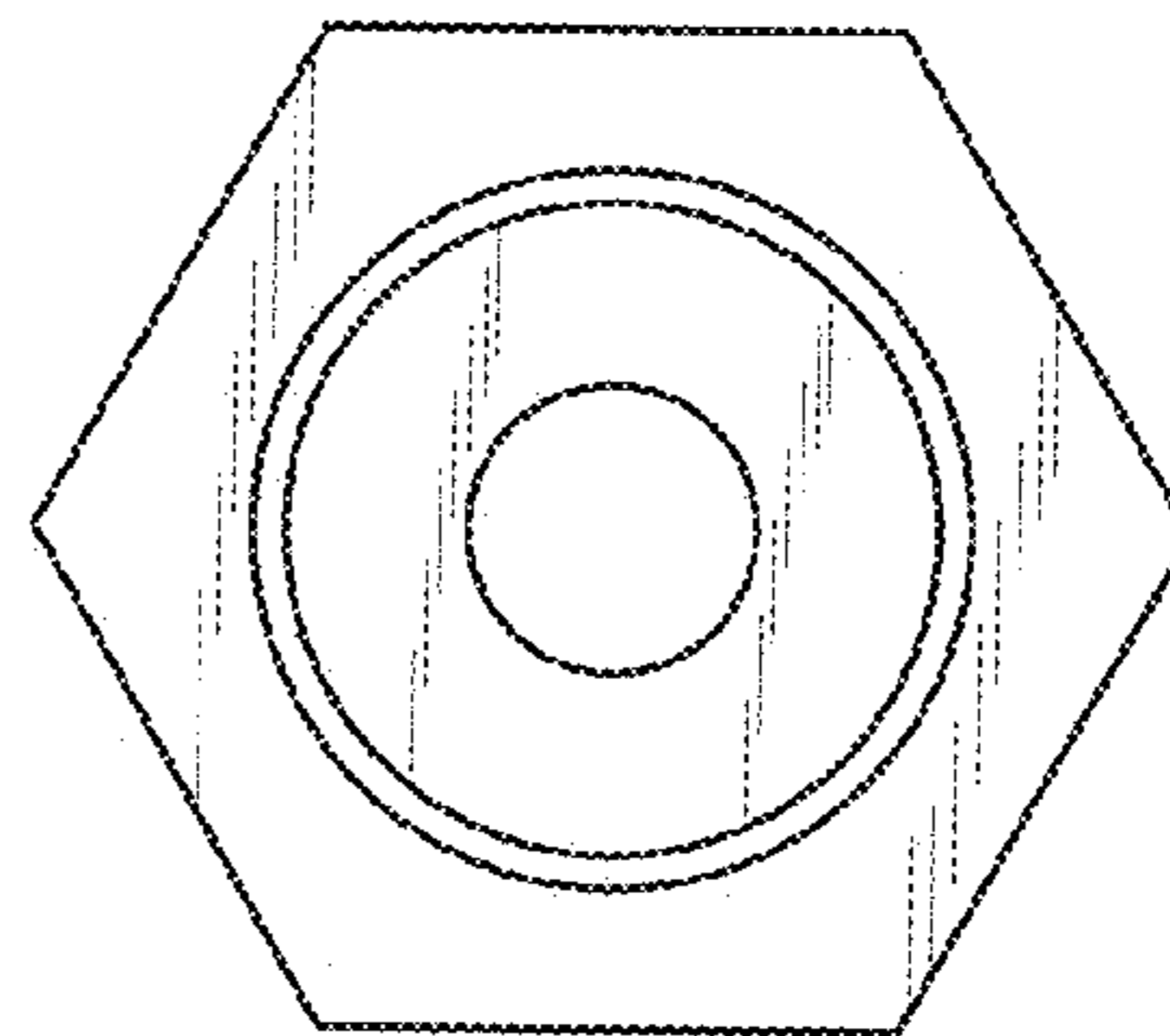


FIG. 5

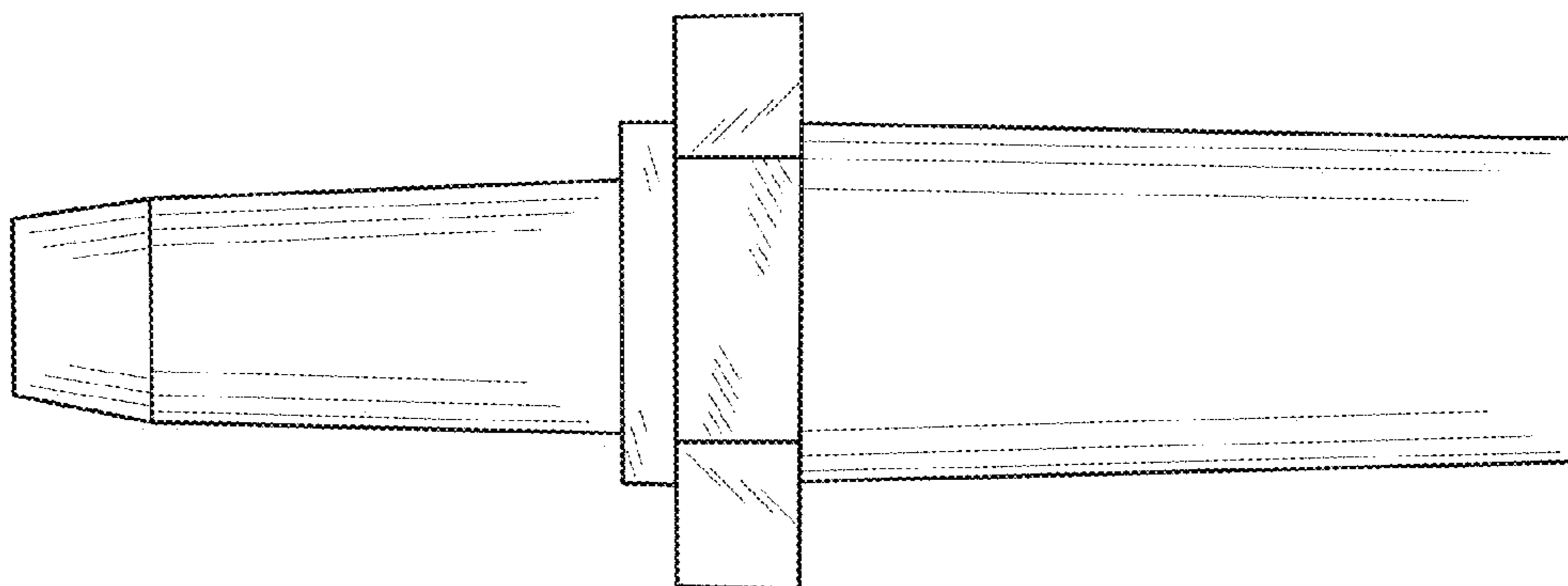


FIG. 6