



US00D709186S

(12) **United States Design Patent**
Boaz et al.

(10) **Patent No.:** **US D709,186 S**
(45) **Date of Patent:** **** Jul. 15, 2014**

(54) **AIR TRAP DEVICE FOR INTRAVENOUS
INFUSION ADMINISTRATION SETS**

(56) **References Cited**

U.S. PATENT DOCUMENTS

(71) Applicants: **Amos Boaz**, Shoresh (IL); **Omer
Havron**, Tel Aviv (IL)

D355,032	S	*	1/1995	Goldberger et al.	D24/169
D408,917	S	*	4/1999	Hacker	D24/169
D435,657	S	*	12/2000	Bhullar et al.	D24/169
D475,458	S	*	6/2003	Denolly	D24/133
D483,490	S	*	12/2003	Ghidoli	D24/169
D623,302	S	*	9/2010	Barrett et al.	D24/169
D639,940	S	*	6/2011	Cushner et al.	D24/129
8,317,759	B2	*	11/2012	Moberg et al.	604/263
D676,549	S	*	2/2013	Lovell et al.	D24/113
D677,788	S	*	3/2013	Yu et al.	D24/128
D681,209	S	*	4/2013	Kawamura et al.	D24/169
8,409,151	B2	*	4/2013	Hawkins et al.	604/264
D689,187	S	*	9/2013	Kruger	D24/127

(72) Inventors: **Amos Boaz**, Shoresh (IL); **Omer
Havron**, Tel Aviv (IL)

(73) Assignee: **Q-CORE Medical (2009) Ltd.**, Petach
Tikva (IL)

(**) Term: **14 Years**

* cited by examiner

(21) Appl. No.: **29/450,390**

Primary Examiner — David Muller

(22) Filed: **Mar. 18, 2013**

(74) *Attorney, Agent, or Firm* — Eitan, Mehulal & Sadot

(30) **Foreign Application Priority Data**

(57) **CLAIM**

The ornamental design for an air trap device for intravenous infusion administration sets, as shown and described.

Sep. 27, 2012 (IL) 53224

DESCRIPTION

(51) **LOC (10) Cl.** **24-02**

FIG. 1 is a perspective view of an embodiment of the air trap device for intravenous infusion administration sets showing our new ornamental design;
FIG. 2 is a front view thereof;
FIG. 3 is a rear view thereof;
FIG. 4 is a left side view thereof;
FIG. 5 is a right side view thereof;
FIG. 6 is a top plan view thereof; and,
FIG. 7 is a bottom view thereof.

(52) **U.S. Cl.**

USPC **D24/127**

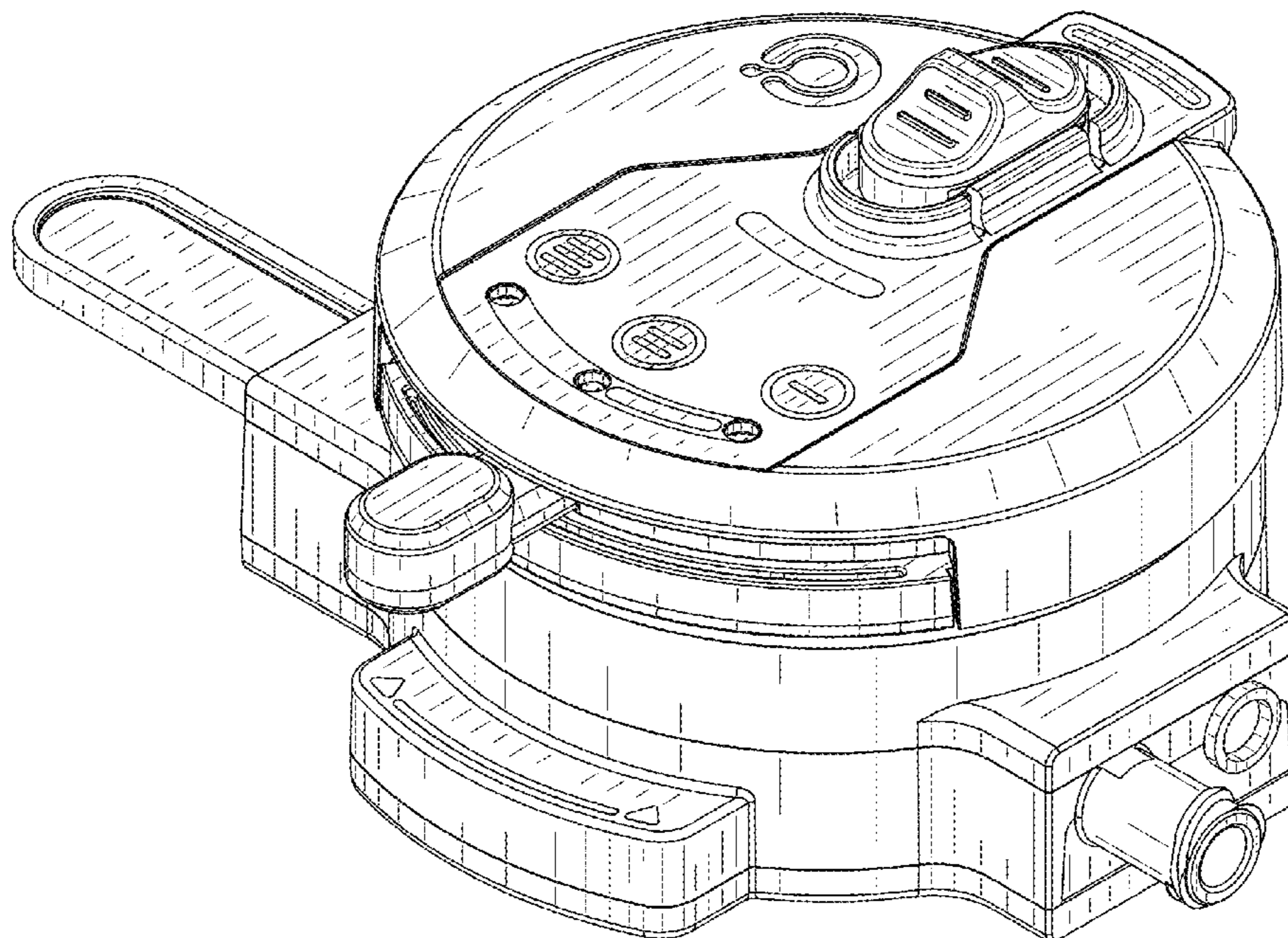
(58) **Field of Classification Search**

USPC D24/127-131, 112-114, 133, 186, 164,
D24/169; 606/181, 185; 604/264, 272, 115,
604/232, 187, 158, 164.08, 192, 263, 163,
604/181, 184, 198, 227; 600/101, 139, 143;
128/200.24, 207.14, 207.15

Portions of the claimed design shown in broken lines form no part of the claimed design.

See application file for complete search history.

1 Claim, 7 Drawing Sheets



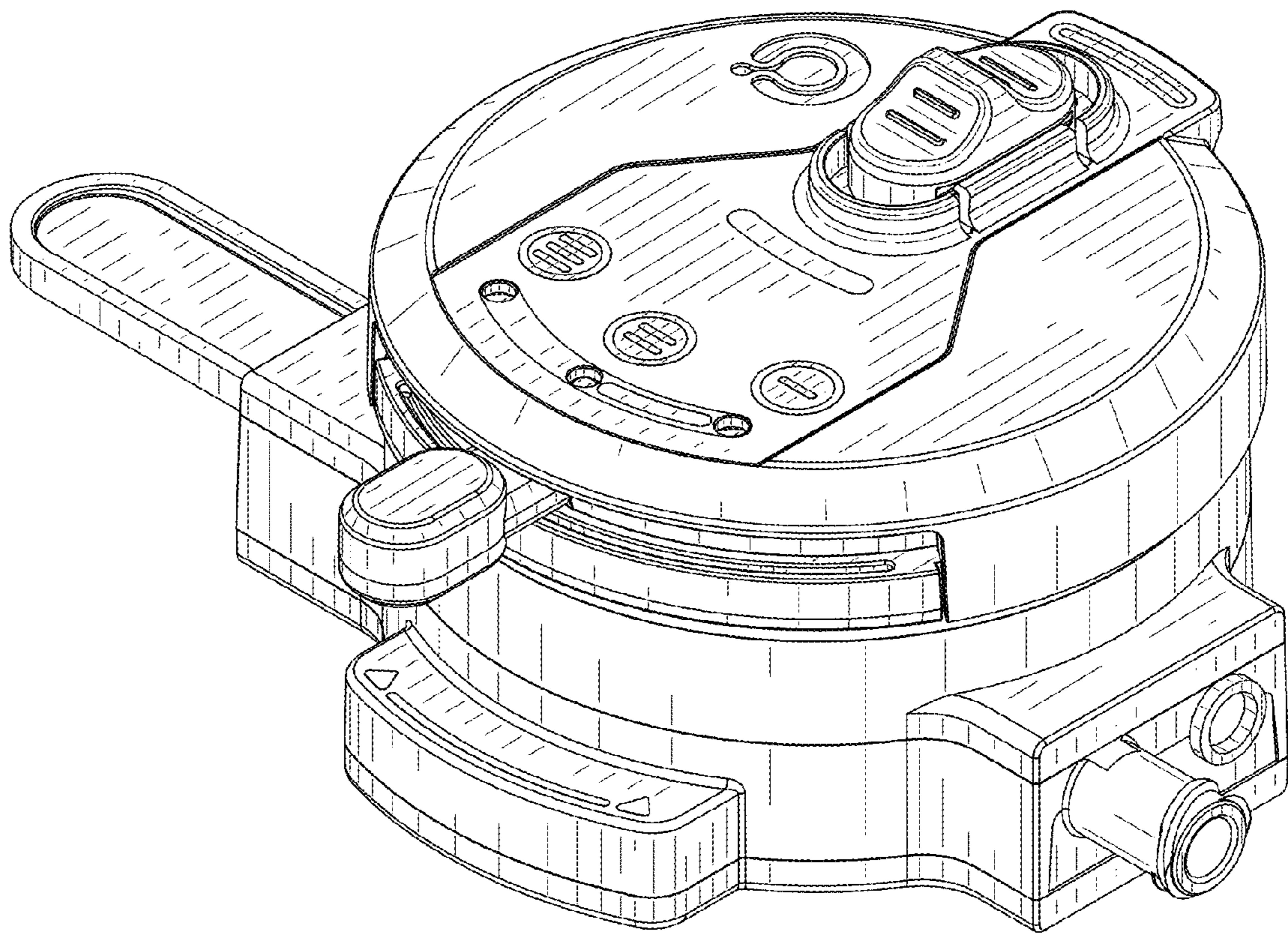


FIG. 1

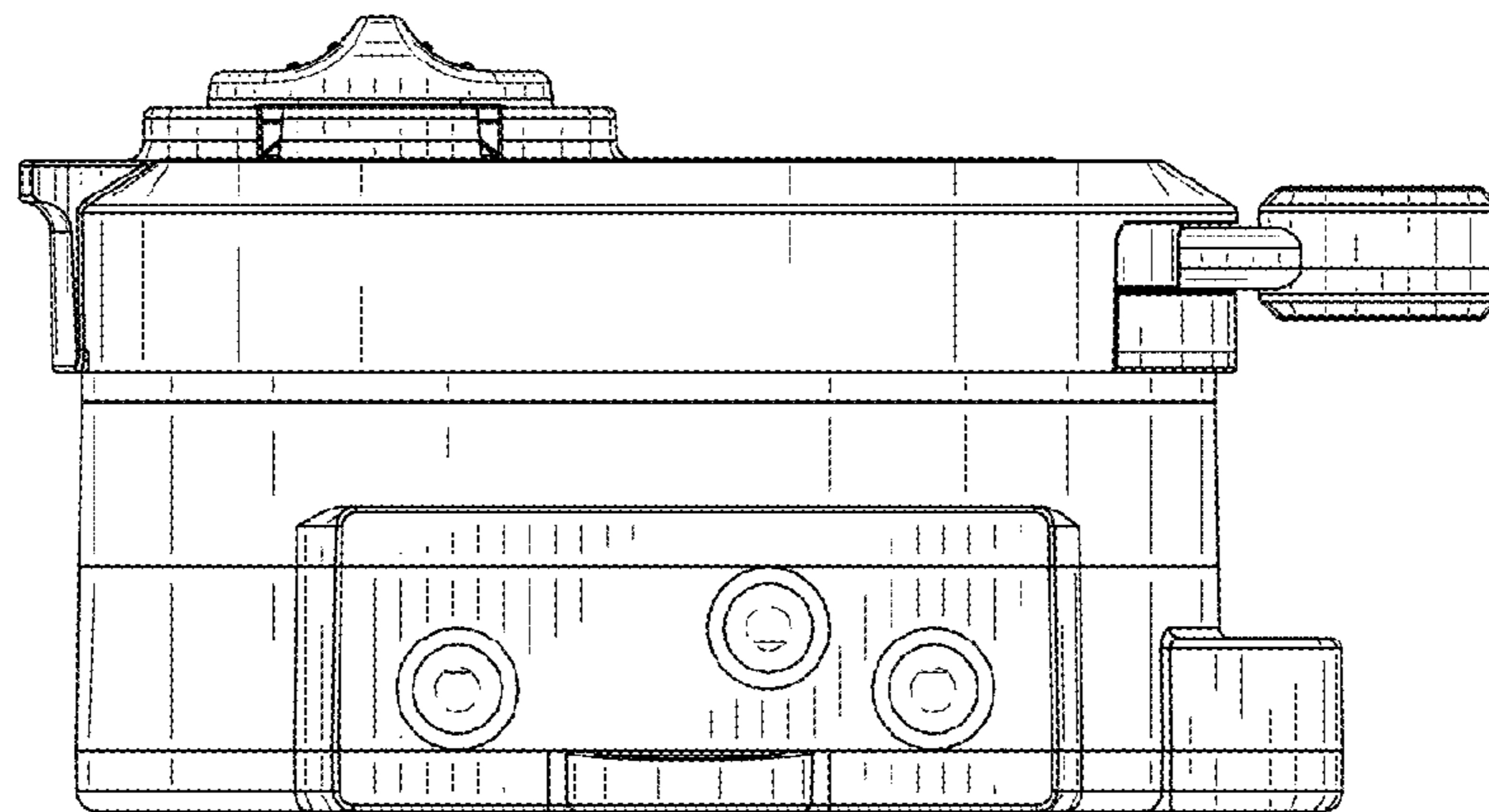


FIG. 2

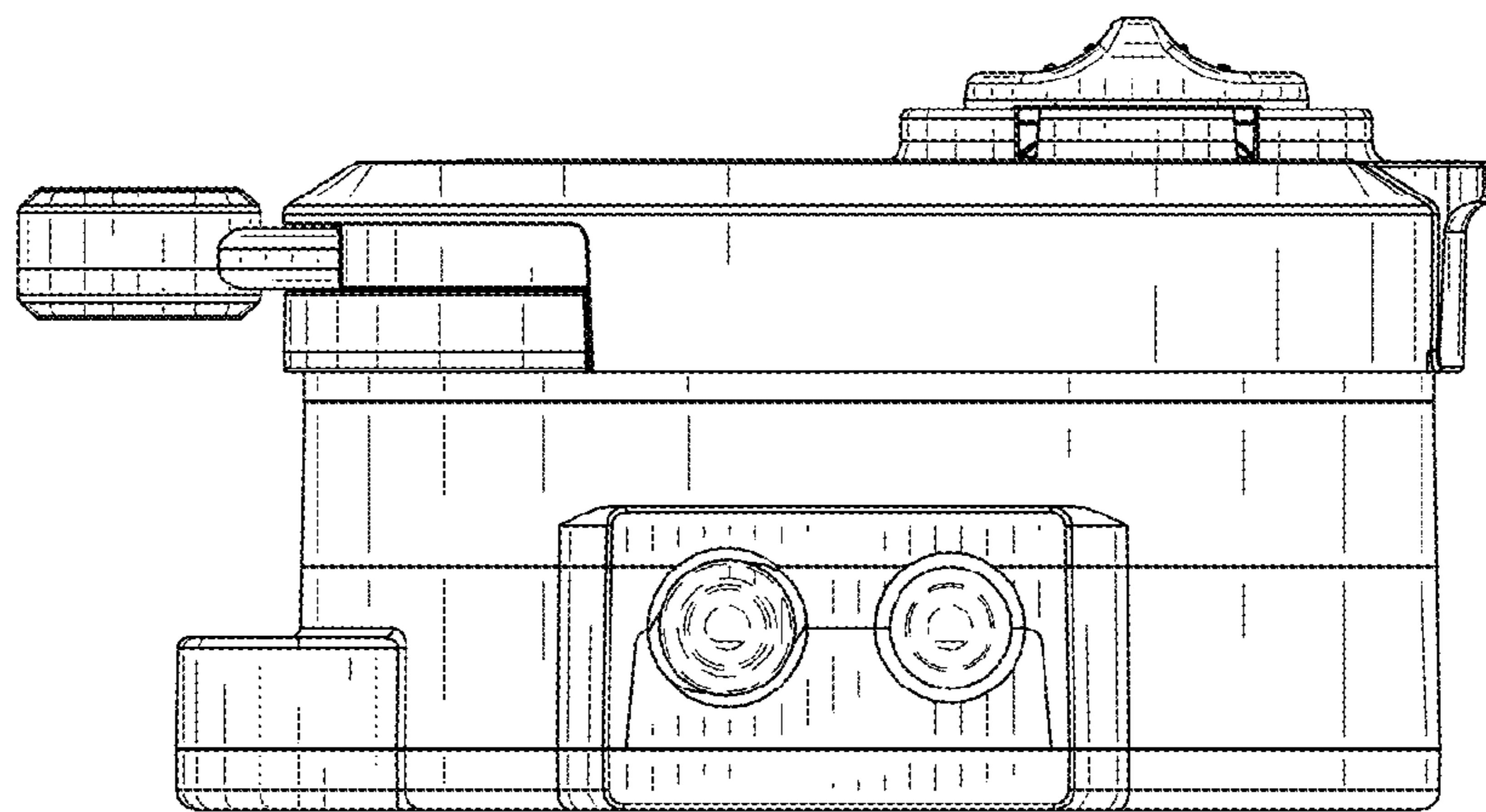


FIG. 3

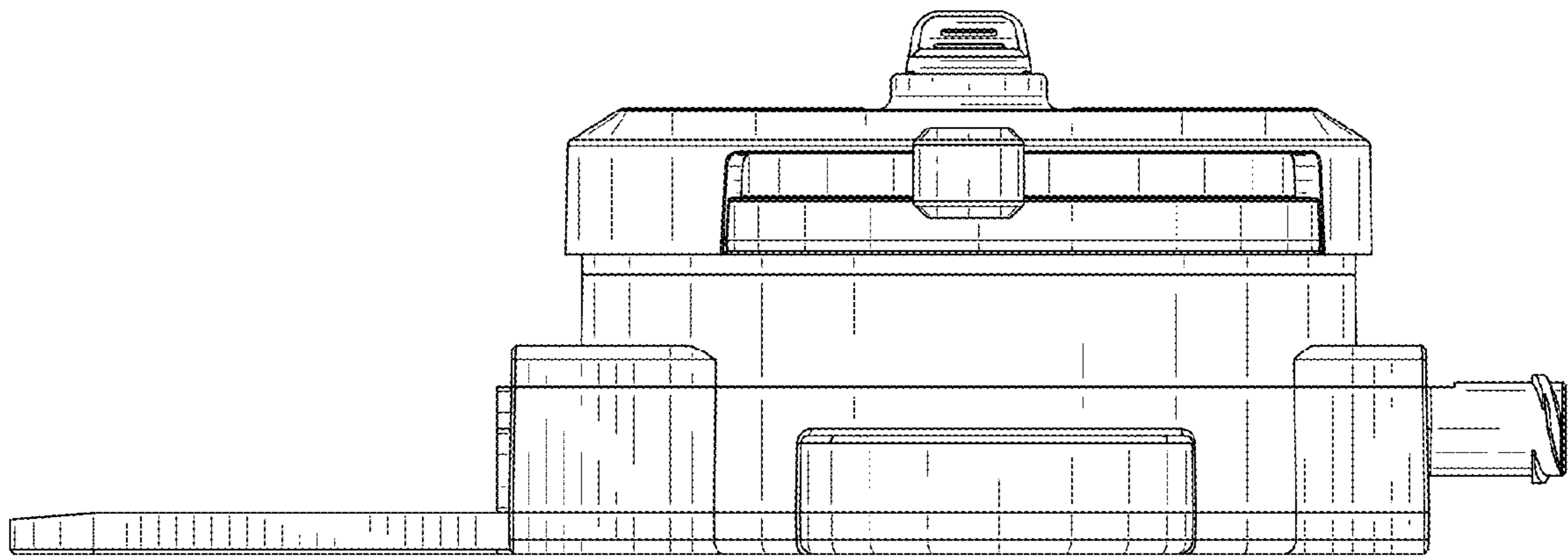


FIG. 4

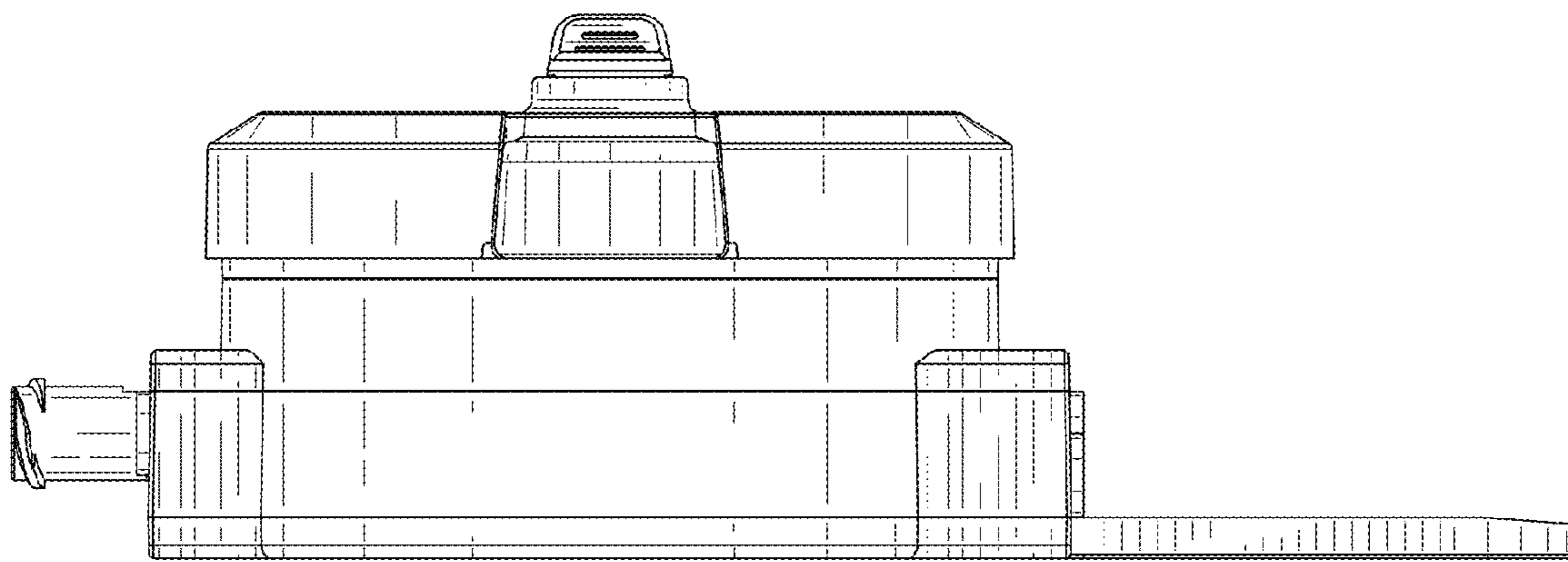


FIG. 5

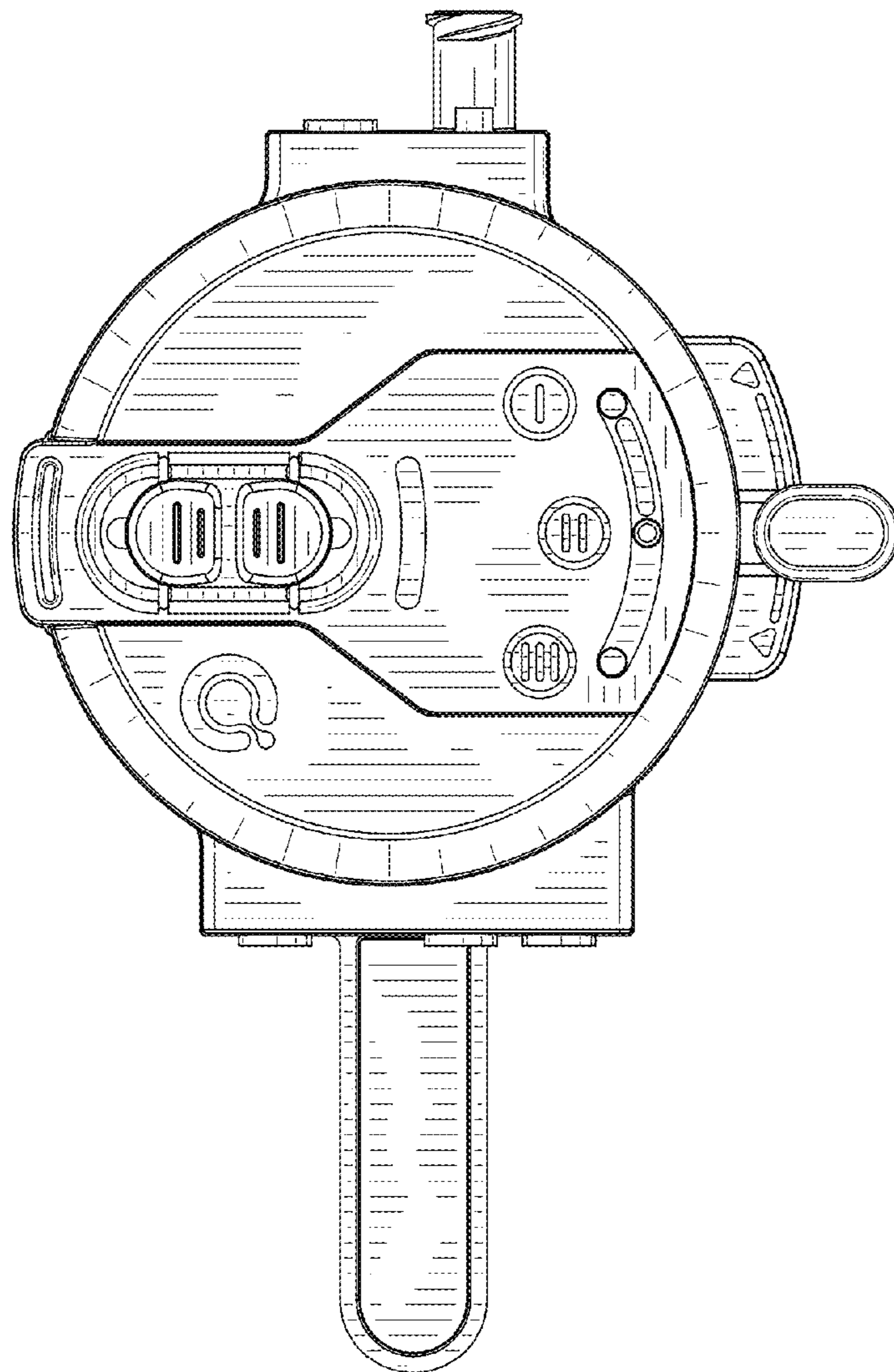


FIG. 6

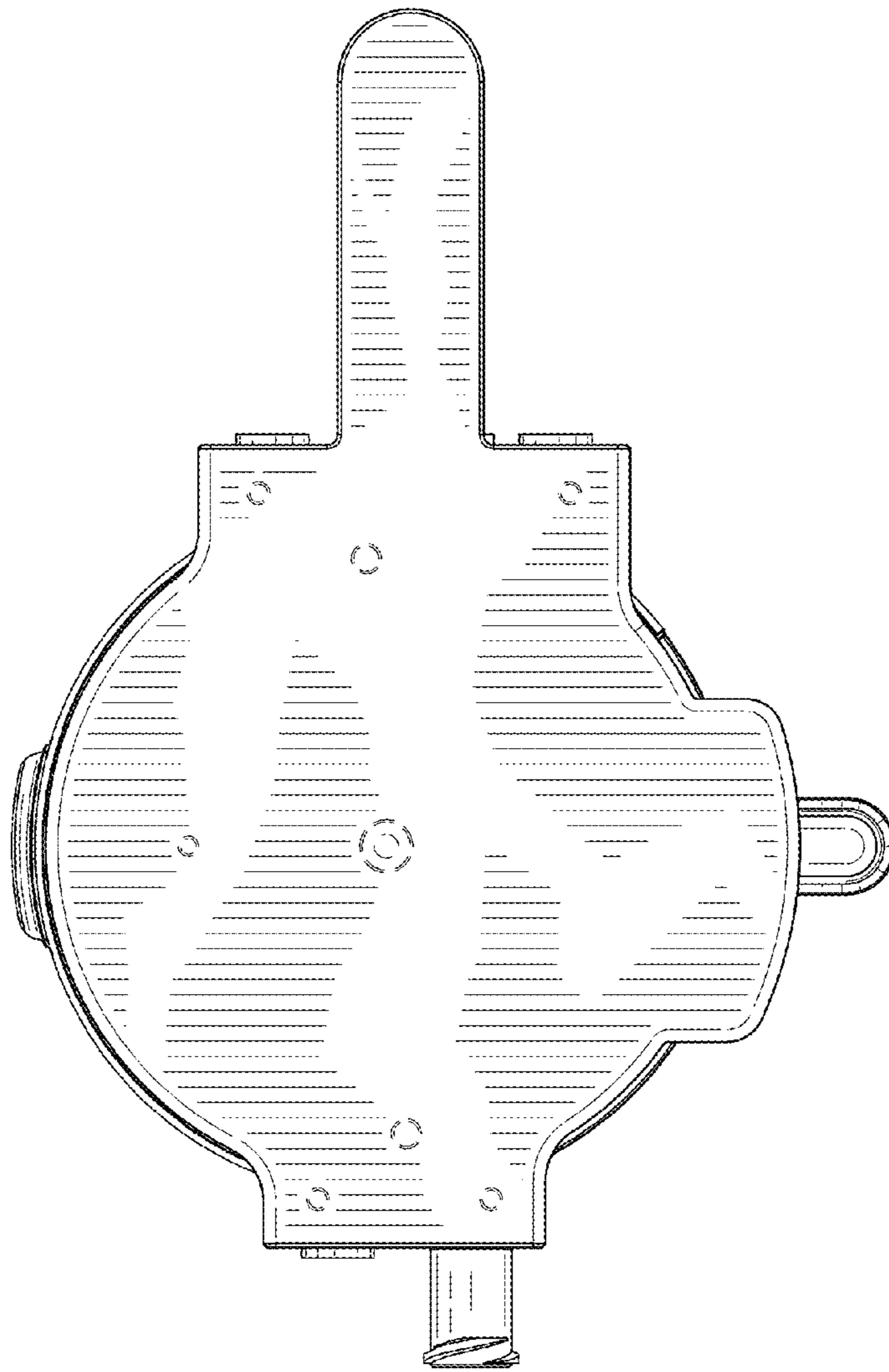


FIG. 7