



US00D709185S

(12) **United States Design Patent**
Queiroli

(10) **Patent No.:** **US D709,185 S**
(45) **Date of Patent:** **** Jul. 15, 2014**

(54) **URINE COLLECTION APPARATUS**

(71) Applicant: **Christine Queiroli**, Chicago, IL (US)

(72) Inventor: **Christine Queiroli**, Chicago, IL (US)

(**) Term: **14 Years**

(21) Appl. No.: **29/471,506**

(22) Filed: **Nov. 1, 2013**

(51) **LOC (10) Cl.** **24-04**

(52) **U.S. Cl.**
USPC **D24/122**

(58) **Field of Classification Search**
USPC D24/121–123, 224; D23/274, 302, 295,
D23/309, 200; 4/144.1–144.4, 459, 460;
604/329, 317, 318, 334; 600/573, 574;
D7/700

See application file for complete search history.

(56) **References Cited**

U.S. PATENT DOCUMENTS

4,559,649	A	*	12/1985	Burnett	4/144.1
D332,035	S	*	12/1992	Pigott	D7/700
D340,768	S	*	10/1993	Jabour	D24/122
D348,731	S	*	7/1994	Crawford	D24/122
5,422,076	A	*	6/1995	Jones	600/574
D368,135	S	*	3/1996	Vasai	D24/122
D379,655	S	*	6/1997	Savignac	D24/122
D388,874	S	*	1/1998	Lewandowski et al.	D24/122

D409,747	S	*	5/1999	Aiken	D24/122
D436,166	S	*	1/2001	Berkey	D24/122
D441,075	S	*	4/2001	Nara	D24/122
6,908,441	B1	*	6/2005	Bernard et al.	600/574
D580,049	S	*	11/2008	Tanguay	D24/122

* cited by examiner

Primary Examiner — David Muller

(74) *Attorney, Agent, or Firm* — Dale J. Ream

(57) **CLAIM**

The ornamental design for a urine collection apparatus, as shown and described.

DESCRIPTION

This application is related to U.S. patent application Ser. No. 13/589,824 filed Aug. 20, 2012, and titled “Urine Specimen Collection Apparatus,” now pending.

FIG. 1 is a perspective view of a urine collection apparatus showing my new design;

FIG. 2 is a front view thereof;

FIG. 3 is a back view thereof;

FIG. 4 is a left side view thereof;

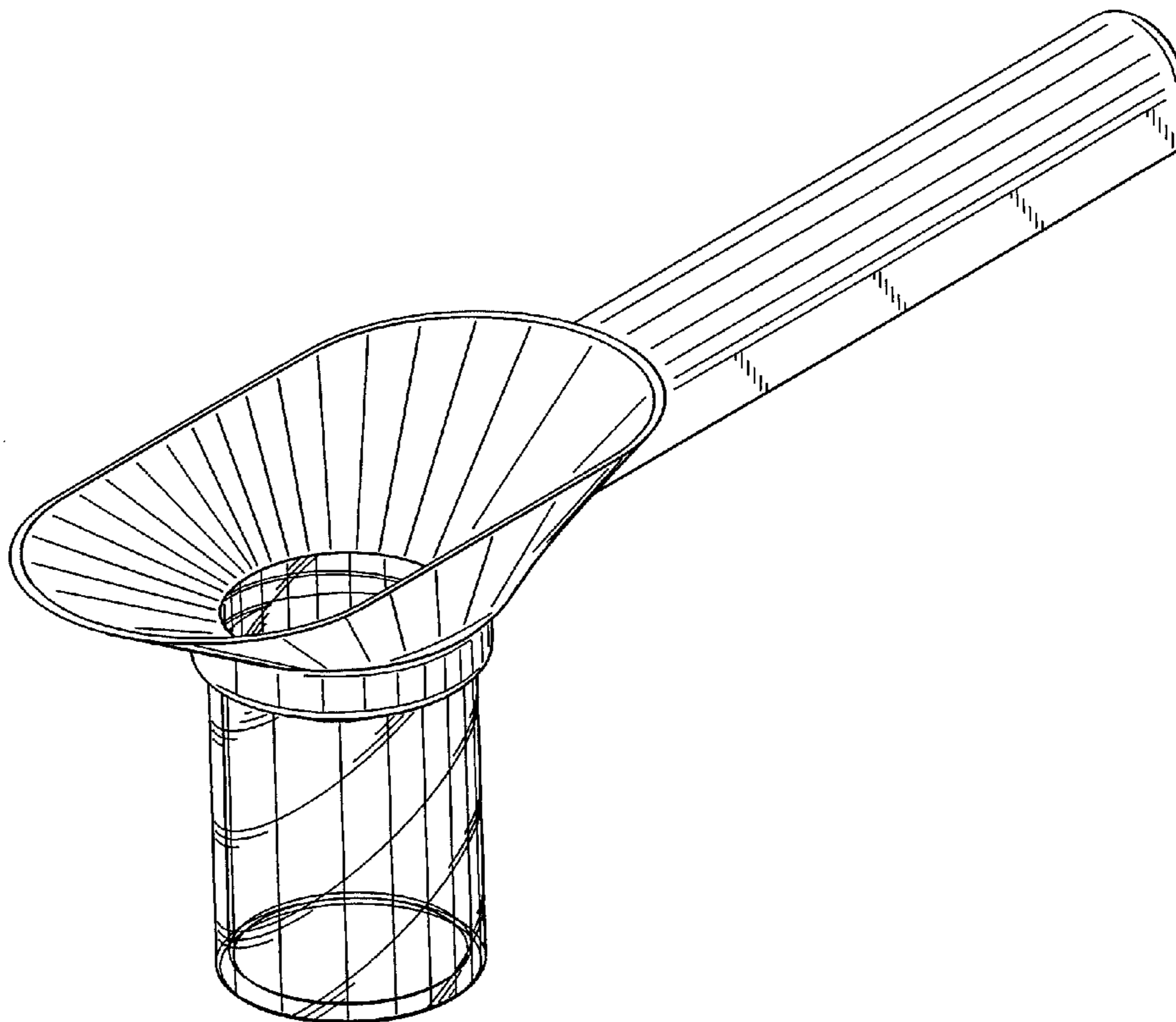
FIG. 5 is a right side view thereof;

FIG. 6 is a top view thereof; and,

FIG. 7 is a bottom view thereof.

The broken line showing of parts of the drawings is included for the purpose of illustrating use and environment and forms no part of the claimed design.

1 Claim, 6 Drawing Sheets



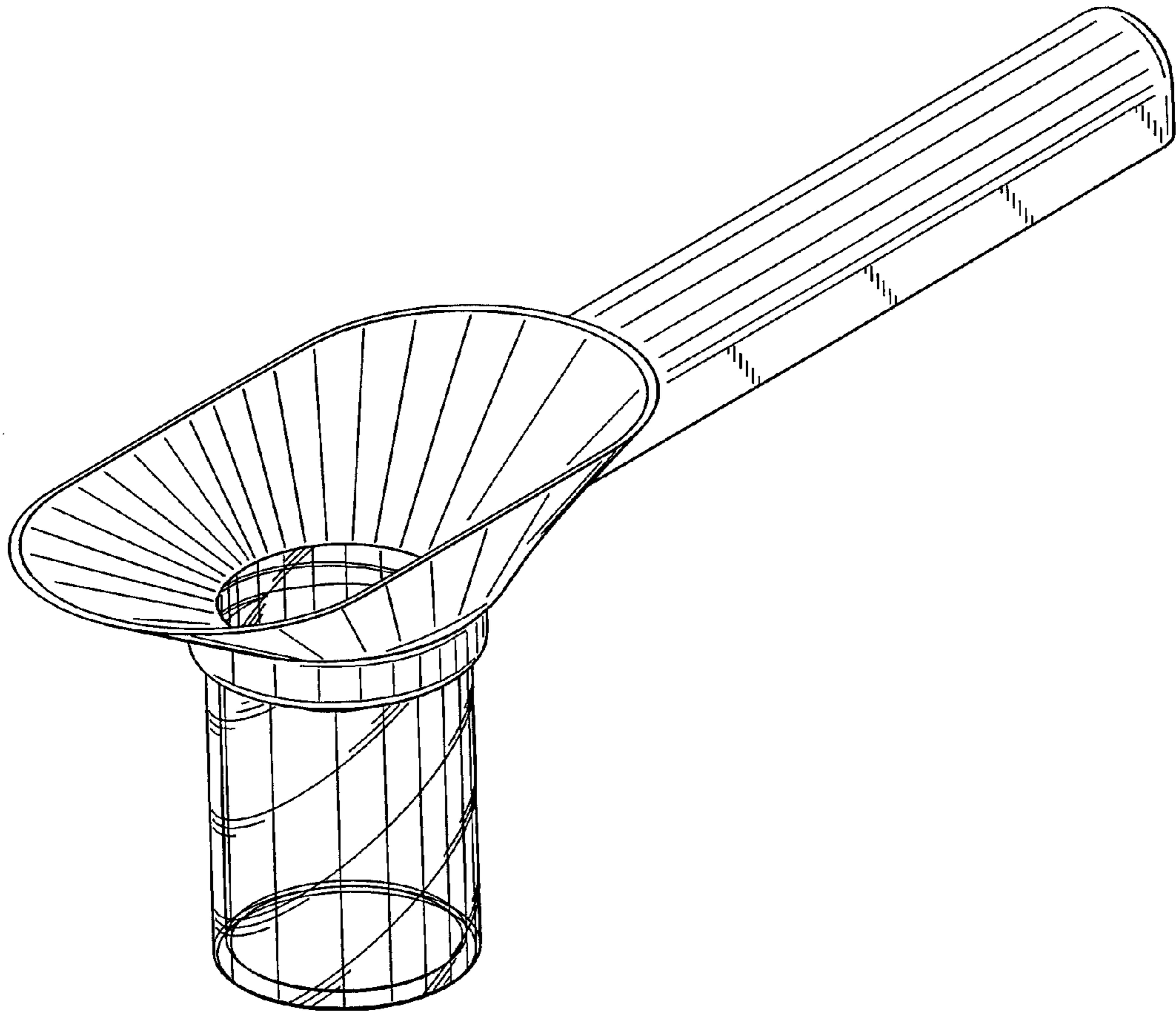


FIG. 1

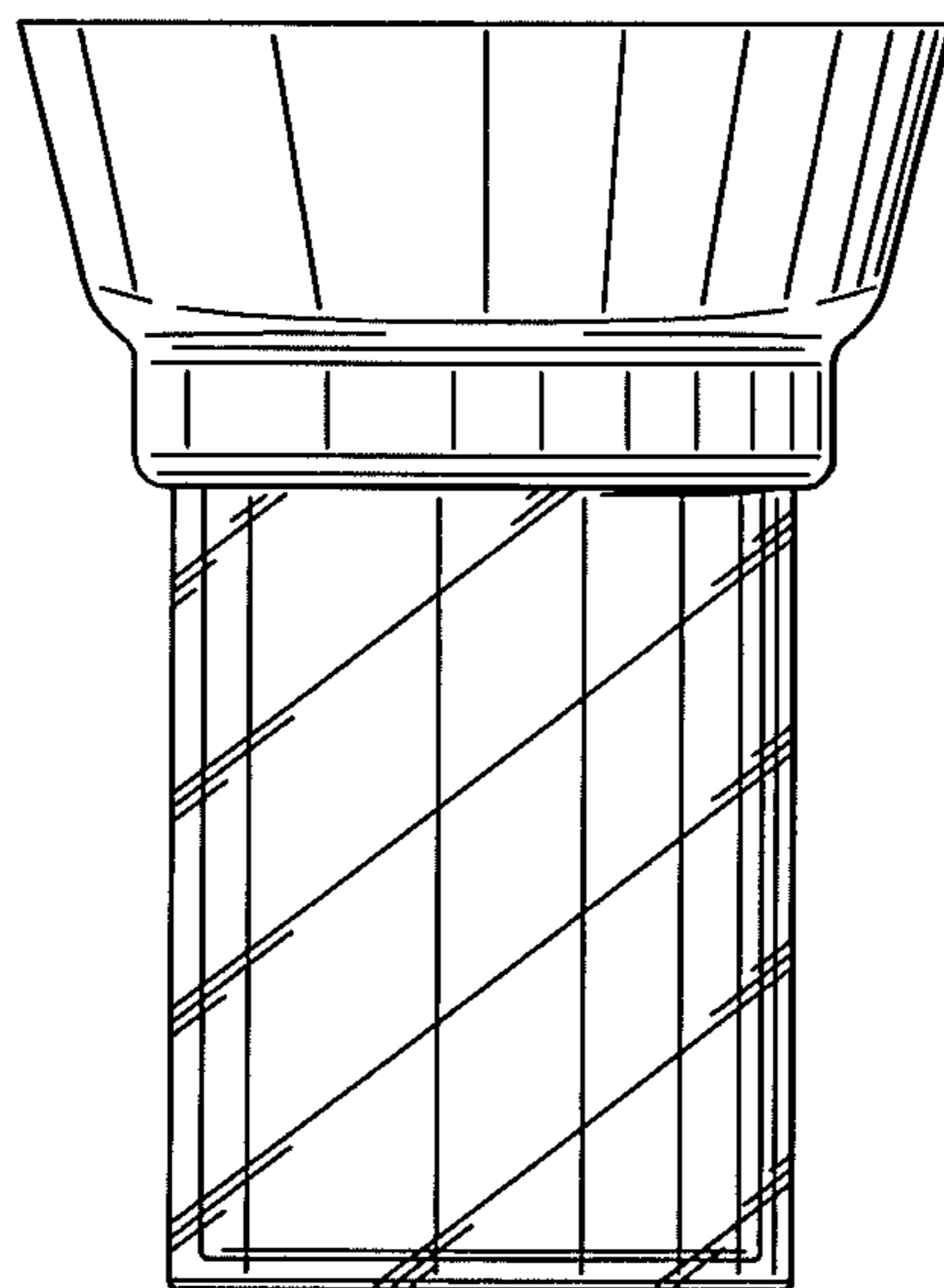


FIG. 2

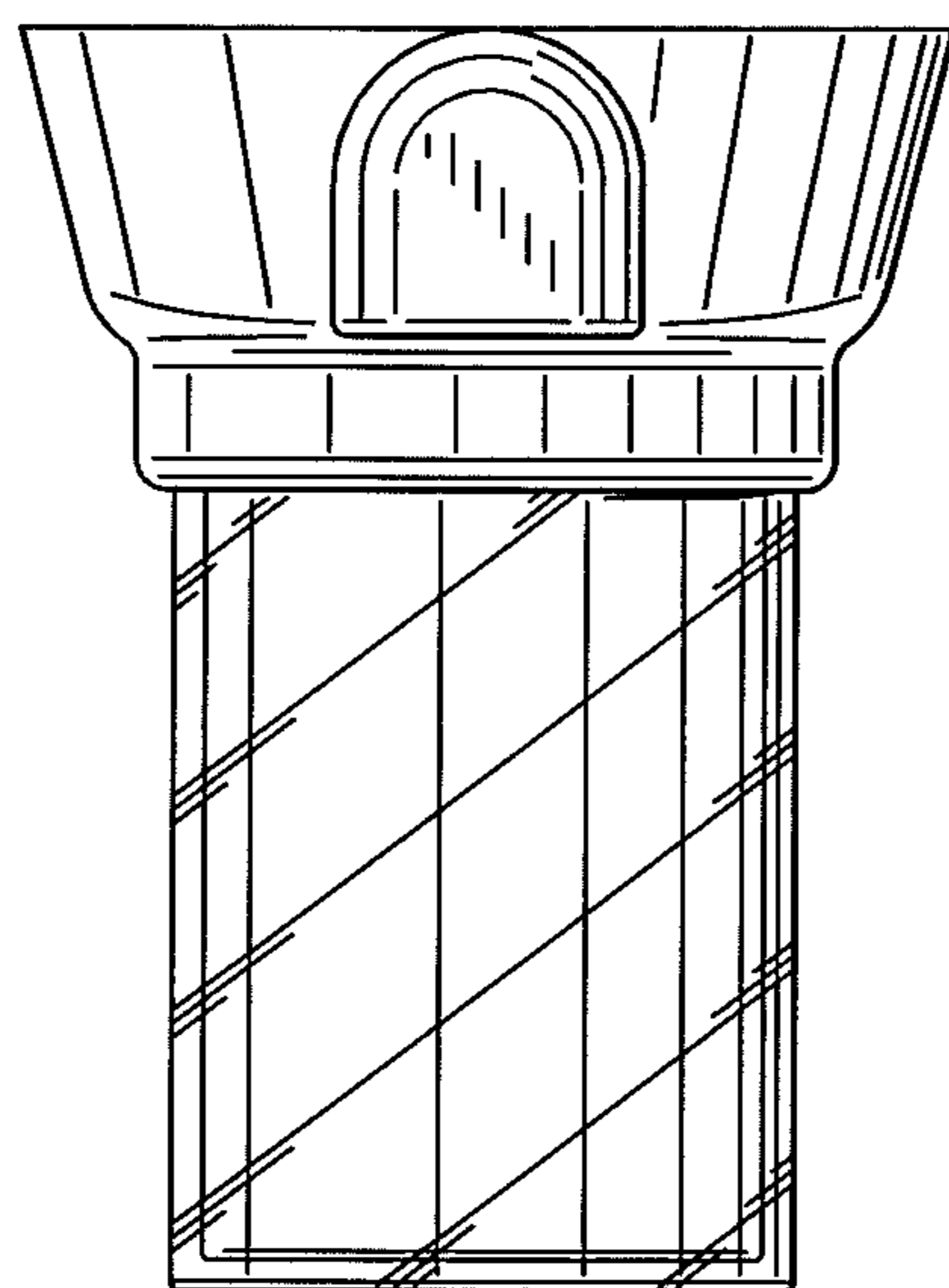


FIG. 3

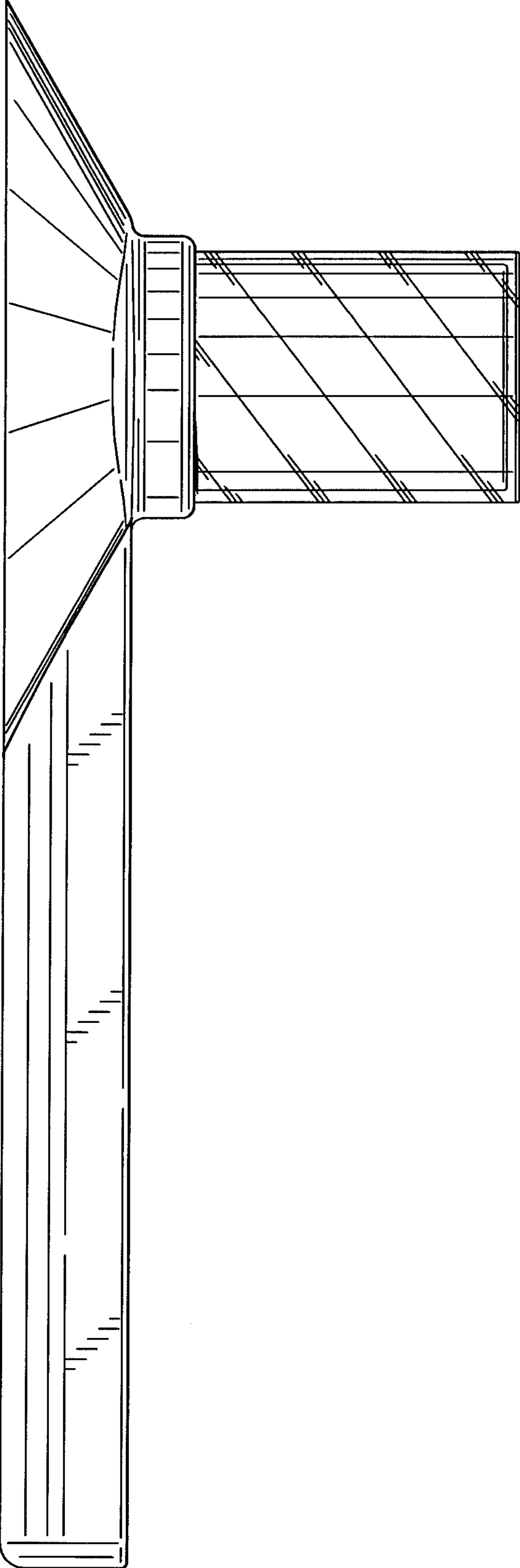


FIG. 4

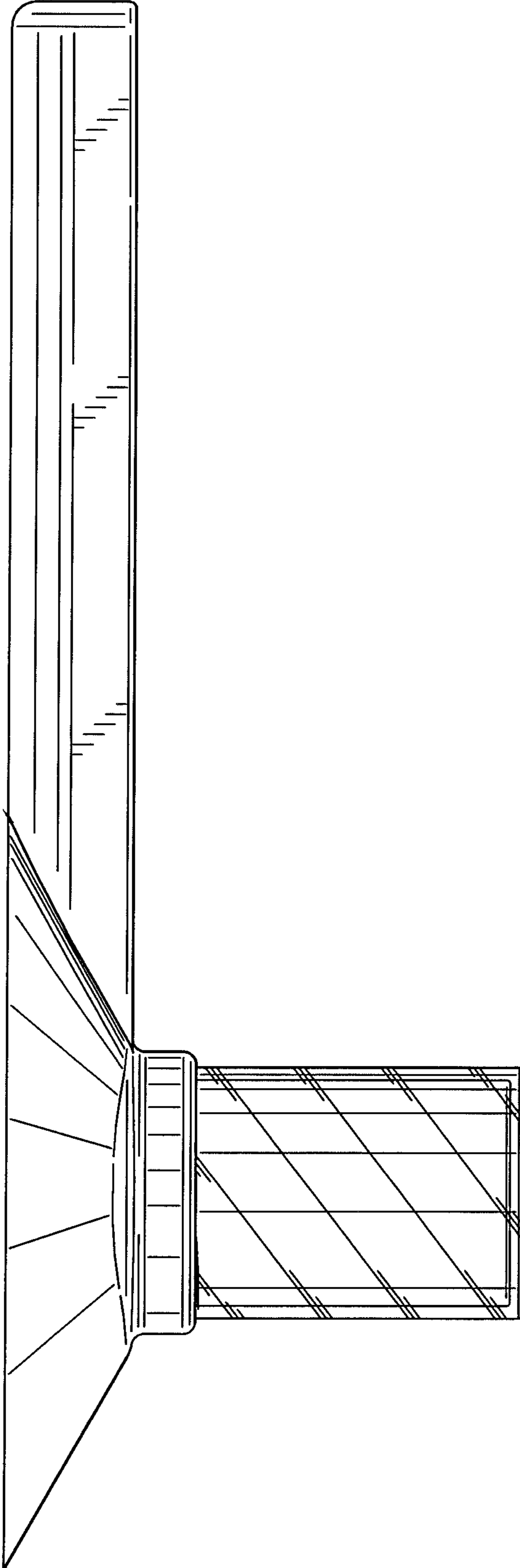


FIG. 5

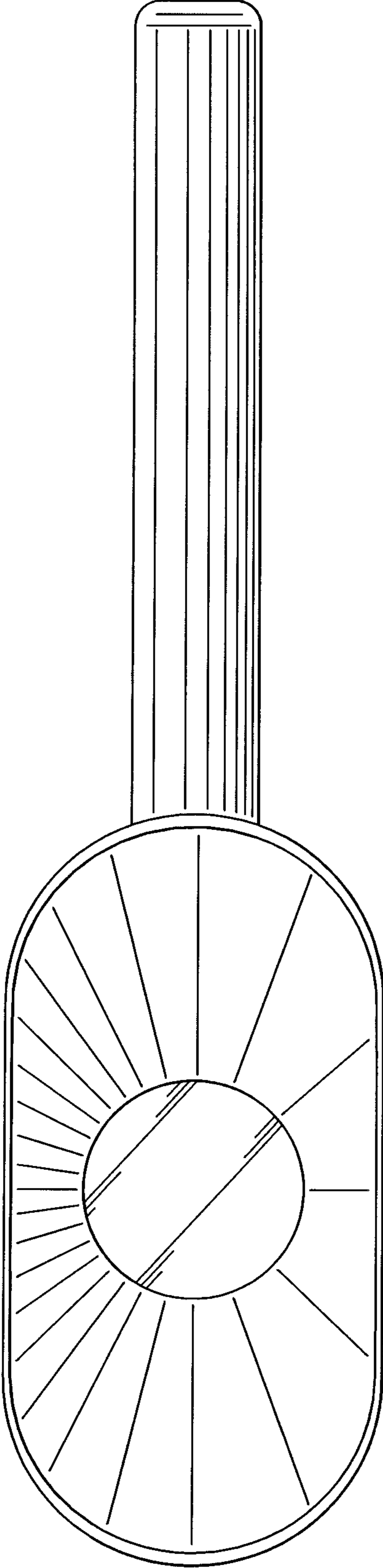


FIG. 6

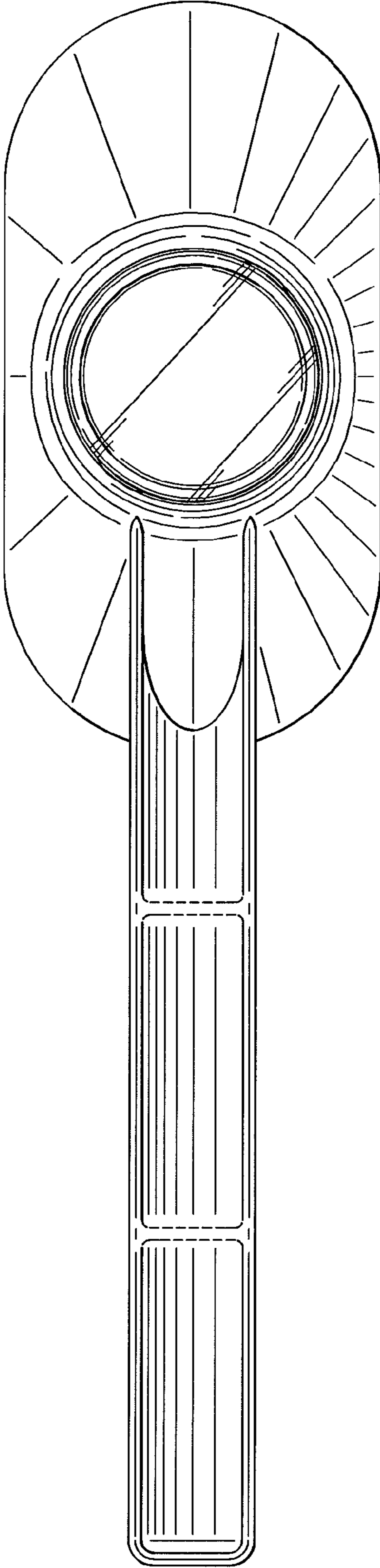


FIG. 7