



US00D709184S

(12) **United States Design Patent**
Lee-Sepsick

(10) **Patent No.:** **US D709,184 S**
(45) **Date of Patent:** **** Jul. 15, 2014**

- (54) **DEVICE FOR MIXING FLUIDS**
- (71) Applicant: **Femasys Inc.**, Suwanee, GA (US)
- (72) Inventor: **Kathy Lee-Sepsick**, Suwanee, GA (US)
- (73) Assignee: **Femasys Inc.**, Suwanee, GA (US)
- (**) Term: **14 Years**
- (21) Appl. No.: **29/470,289**
- (22) Filed: **Oct. 18, 2013**
- (51) **LOC (10) Cl.** **24-02**
- (52) **U.S. Cl.**
USPC **D24/112**
- (58) **Field of Classification Search**
USPC D24/112–114, 130, 127, 133, 186, 108;
606/181, 185; 604/264, 272, 115,
604/164.01–164.09, 533, 232, 187, 168.01,
604/192, 19, 48, 93.01, 523, 524, 526;
600/101, 139, 143; 128/200.24,
128/207.14, 207.15
See application file for complete search history.

D672,456 S *	12/2012	Lee-Sepsick	D24/112
D678,512 S *	3/2013	Bow	D24/112
D684,258 S *	6/2013	Luethy et al.	D24/112
D685,100 S *	6/2013	Shinohara et al.	D24/186
D692,559 S *	10/2013	Scheibel et al.	D24/133
D694,879 S *	12/2013	Julian et al.	D24/113
D699,359 S *	2/2014	Lindekugel et al.	D24/186

* cited by examiner

Primary Examiner — David Muller

(74) *Attorney, Agent, or Firm* — Ballard Spahr LLP

(57) **CLAIM**

The ornamental design for a device for mixing fluids, as shown and described.

DESCRIPTION

FIG. 1 is a perspective view, from the back end, of an embodiment of a device for mixing fluids of the present invention; FIG. 2 is an elevation view of the front end of the device of FIG. 1; FIG. 3 is an elevation view of the back end of the device of FIG. 1; FIG. 4 is a right side elevation view of the device of FIG. 1; FIG. 5 is a left side elevation view of the device of FIG. 1; FIG. 6 is a top plan view of the device of FIG. 1; FIG. 7 is a bottom plan view of the device of FIG. 1; and, FIG. 8 is a perspective view, from the front end, of the device of FIG. 1.

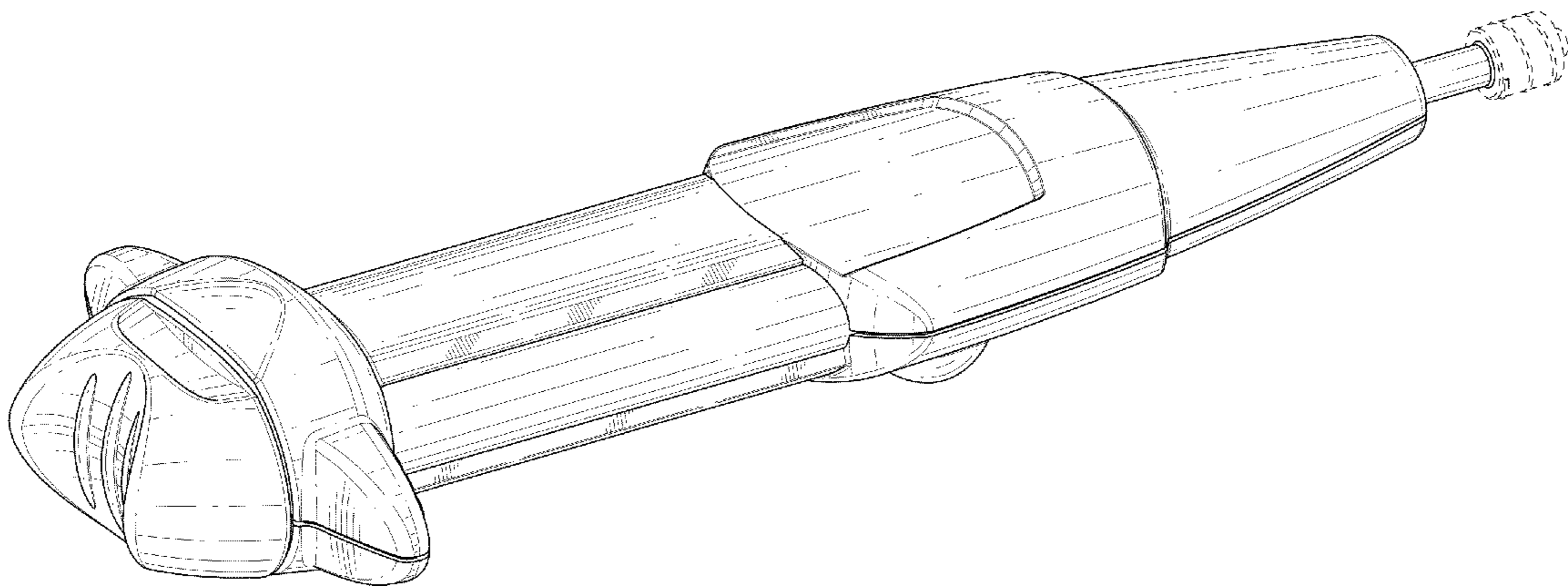
The broken line showing of parts of the drawings is included for the purpose of illustrating use and environment and forms no part of the claimed design.

1 Claim, 5 Drawing Sheets

(56) **References Cited**

U.S. PATENT DOCUMENTS

D534,651 S *	1/2007	Bruce et al.	D24/133
D537,162 S *	2/2007	Bacher et al.	D24/133
D653,329 S *	1/2012	Lee-Sepsick	D24/112
D660,957 S *	5/2012	Lee-Sepsick	D24/112
D667,111 S *	9/2012	Robinson	D24/133
D667,948 S *	9/2012	Moldenhauer	D24/113



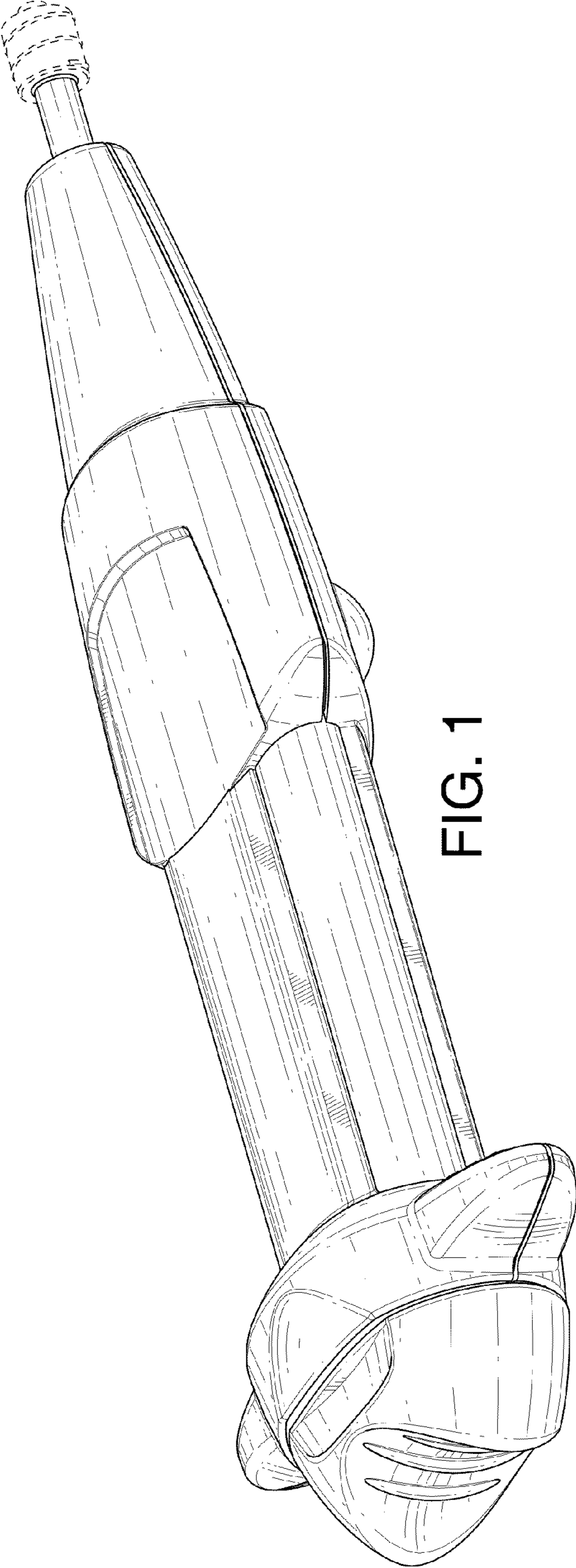


FIG. 1

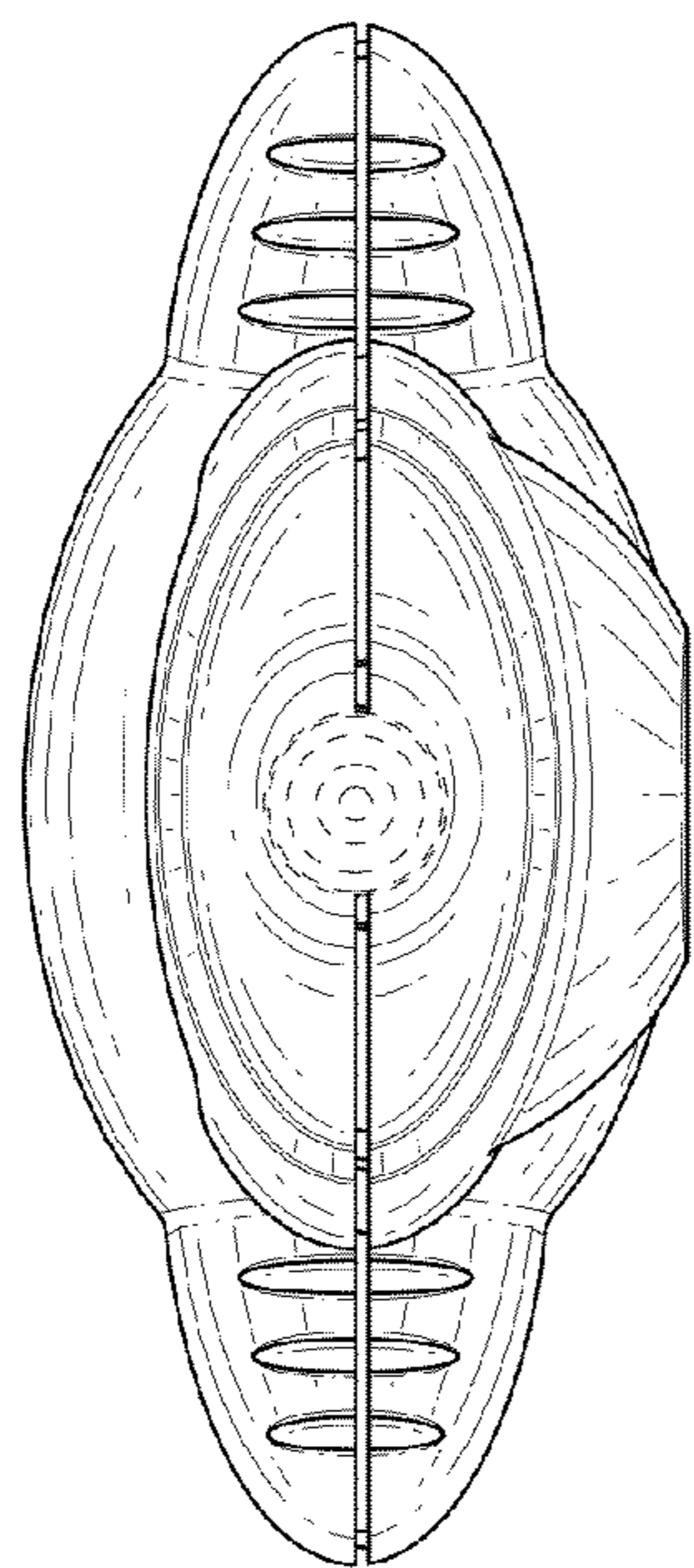


FIG. 2

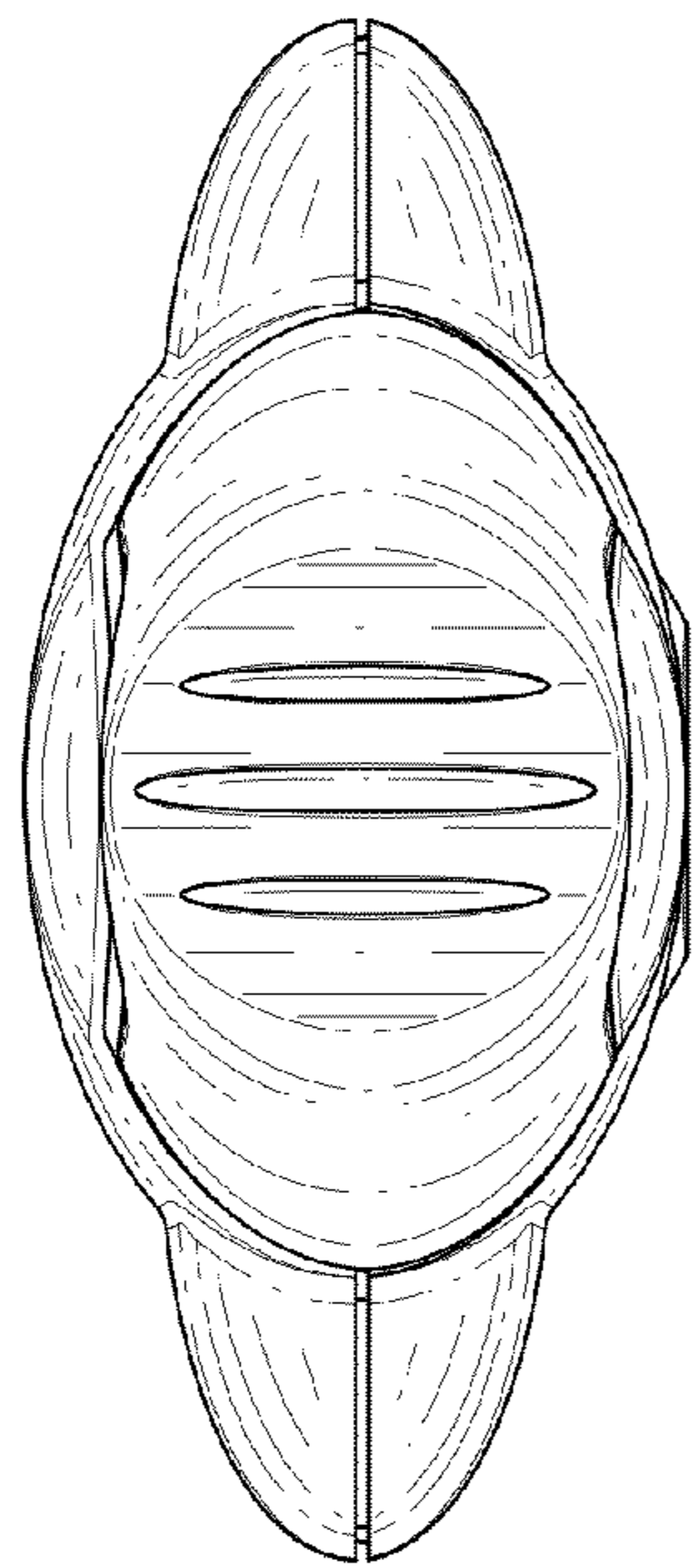


FIG. 3

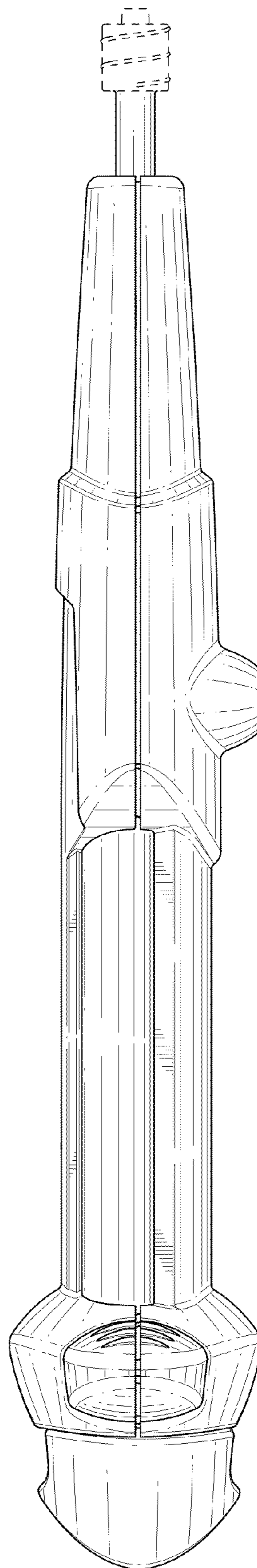


FIG. 4

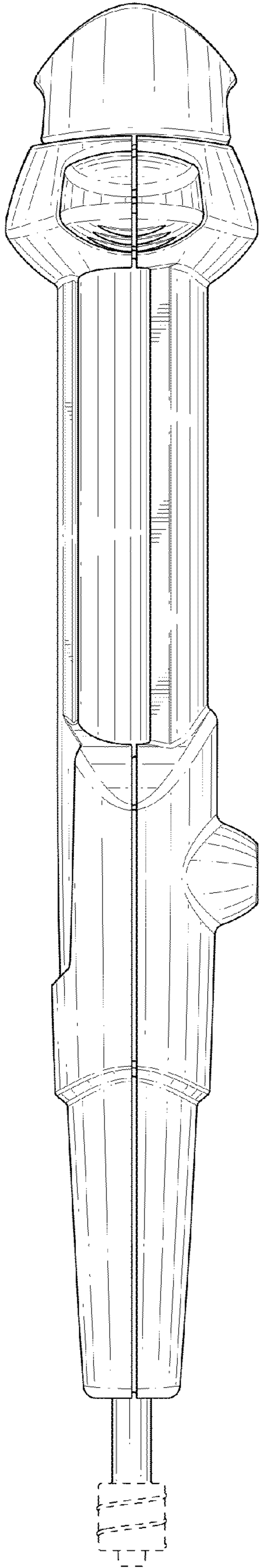


FIG. 5

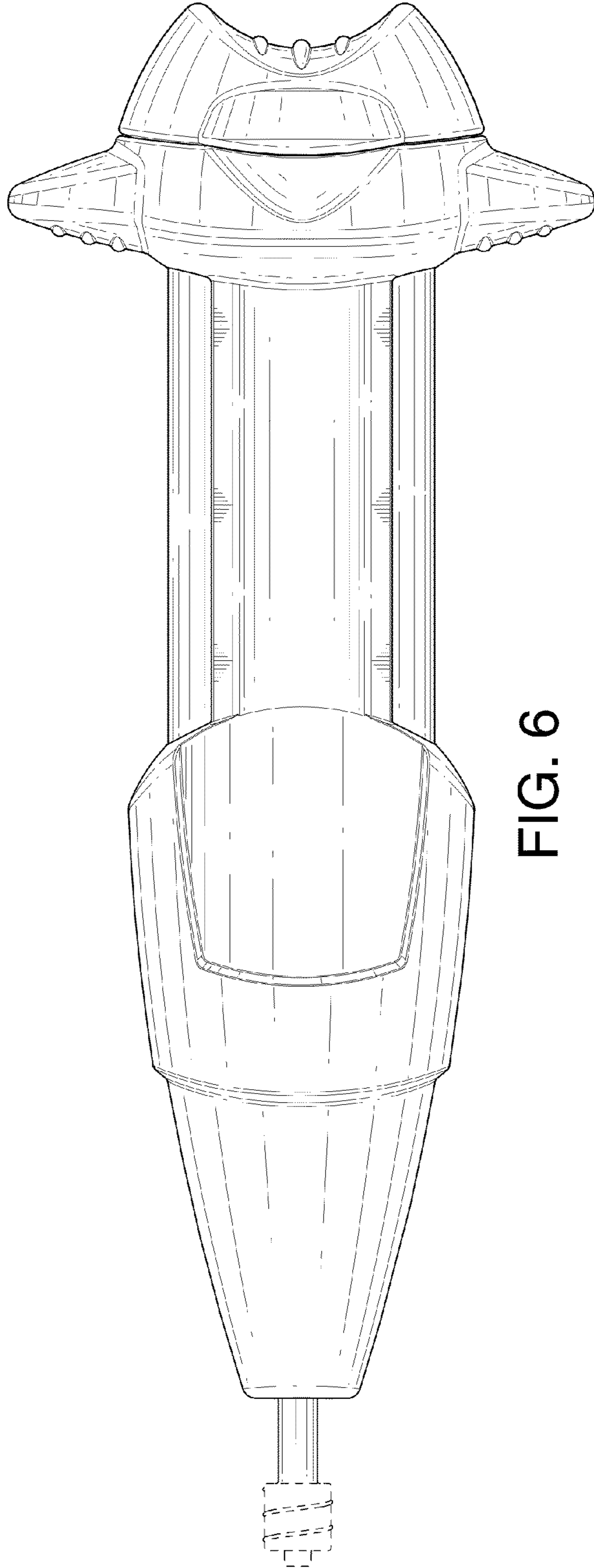


FIG. 6

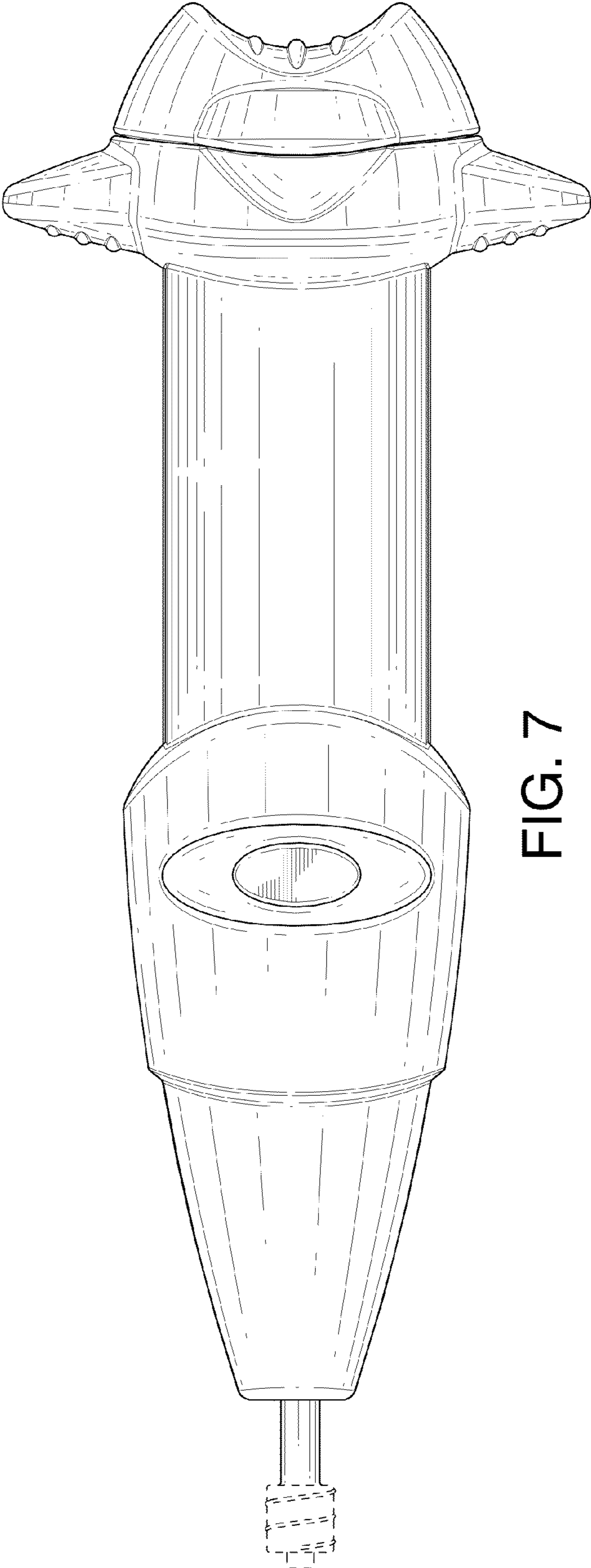


FIG. 7

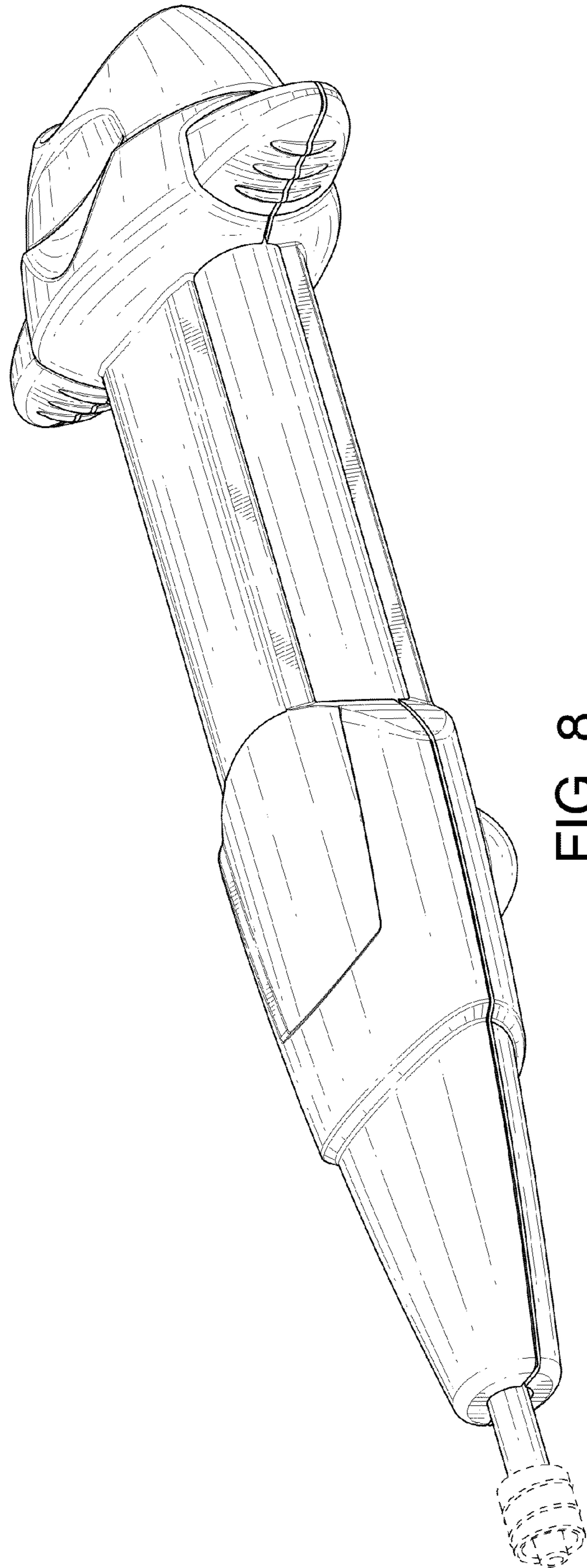


FIG. 8