



US00D709183S

(12) **United States Design Patent**
Kemlein

(10) **Patent No.:** **US D709,183 S**
(45) **Date of Patent:** **** Jul. 15, 2014**

(54) **PUMP FOR PHARMACEUTICAL AND COSMETIC PRODUCTS**

(71) Applicant: **Antisense Pharma GmbH**, Regensburg (DE)

(72) Inventor: **Till Kemlein**, Kiel (DE)

(73) Assignee: **Antisense Pharma GmbH** (DE)

(**) Term: **14 Years**

(21) Appl. No.: **29/433,324**

(22) Filed: **Sep. 28, 2012**

(30) **Foreign Application Priority Data**

Mar. 30, 2012 (WO) DM/078 647

(51) **LOC (10) Cl.** **24-04**

(52) **U.S. Cl.**
USPC **D24/111**

(58) **Field of Classification Search**
USPC D24/107, 108, 111; D15/7-9; D9/693,
D9/694; 128/204.21; 210/416.2;
604/151-155
See application file for complete search history.

(56) **References Cited**

U.S. PATENT DOCUMENTS

D348,730 S * 7/1994 Walker et al. D24/111
D457,949 S * 5/2002 Krug et al. D24/111

D461,891 S * 8/2002 Moberg D24/111
6,698,421 B2 * 3/2004 Attolini 128/200.14
7,922,708 B2 * 4/2011 Estes et al. 604/500
7,967,785 B2 * 6/2011 Morgan et al. 604/151
2007/0233051 A1 * 10/2007 Hohl et al. 604/891.1
2011/0166544 A1 * 7/2011 Verhoef et al. 604/500
2011/0240024 A1 * 10/2011 Kwok et al. 128/204.21

* cited by examiner

Primary Examiner — Ian Simmons

Assistant Examiner — Richelle G Shelton

(74) *Attorney, Agent, or Firm* — Altera Law Group, LLC

(57) **CLAIM**

The ornamental design for a pump for pharmaceutical and cosmetic products, as shown and described.

DESCRIPTION

FIG. 1 is a perspective view of the pump for pharmaceutical and cosmetic products.

FIG. 2 is a front view thereof.

FIG. 3 is a back view thereof.

FIG. 4 is a side view thereof.

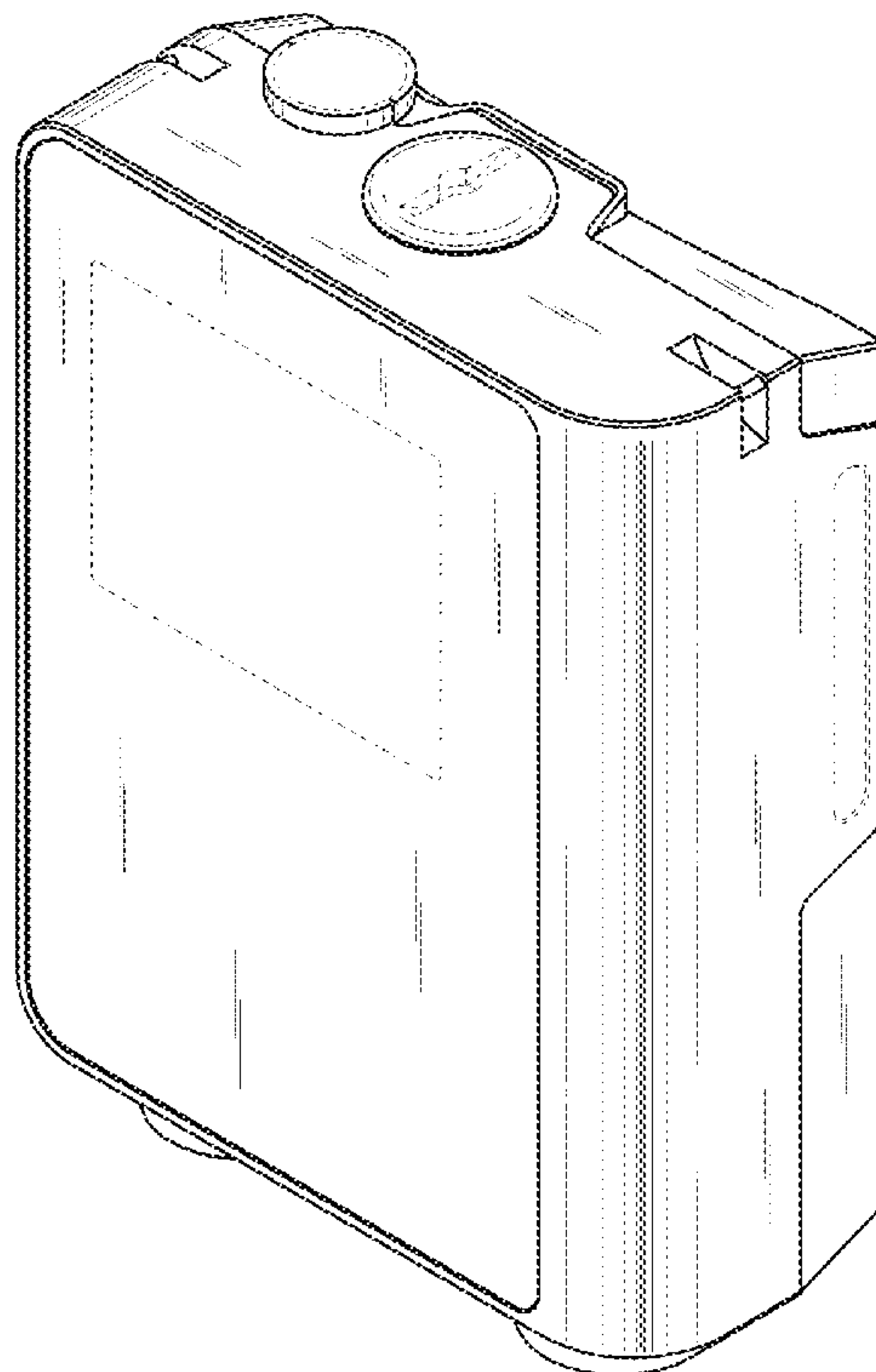
FIG. 5 is the other side view thereof.

FIG. 6 is a top view thereof; and,

FIG. 7 is a bottom view thereof.

The broken line showing of portions of the article is included for the purpose of illustrating environmental structure with the lines themselves and the areas within forming no part of the claimed design.

1 Claim, 5 Drawing Sheets



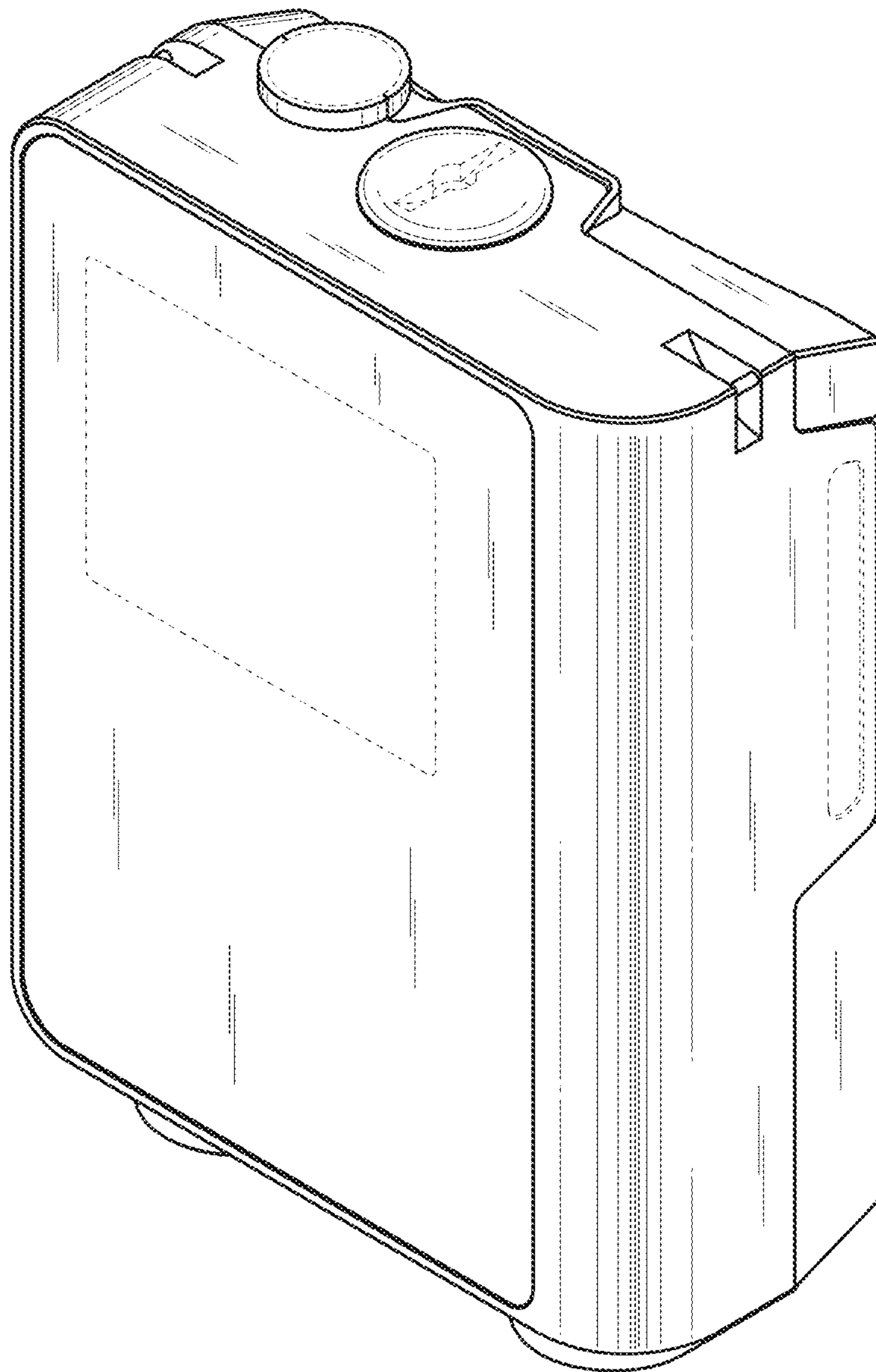


Fig. 1

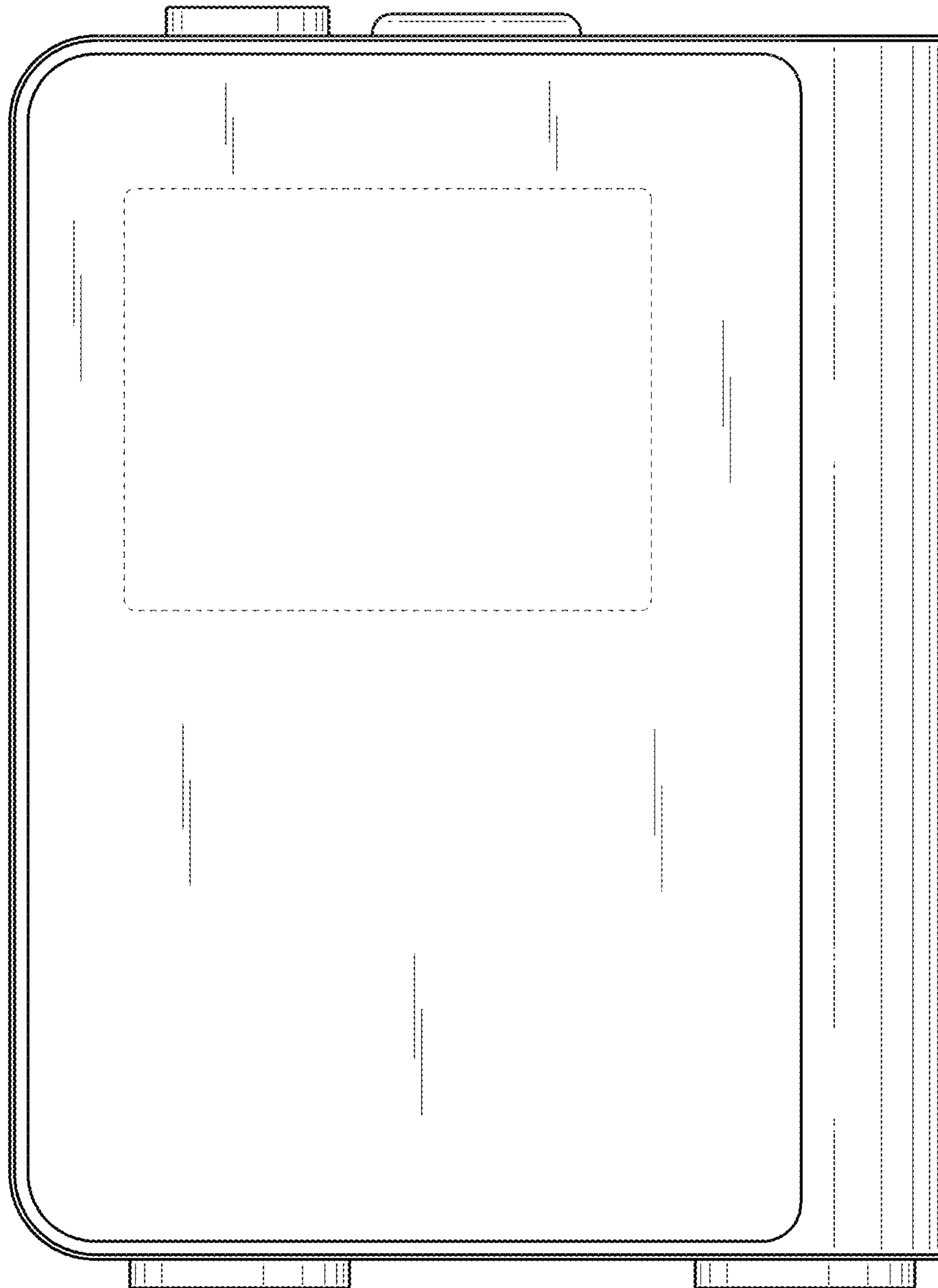


Fig. 2

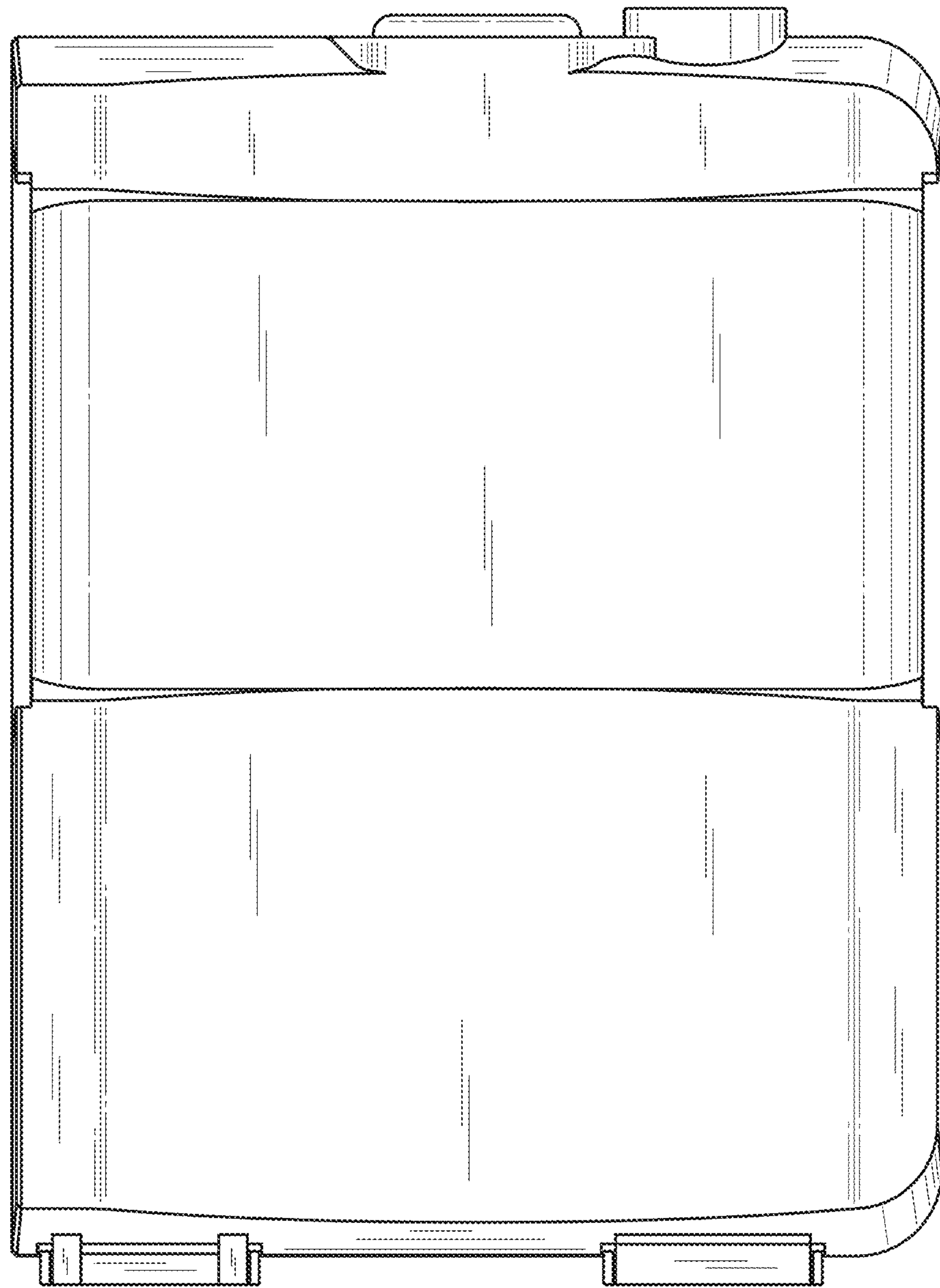


Fig. 3

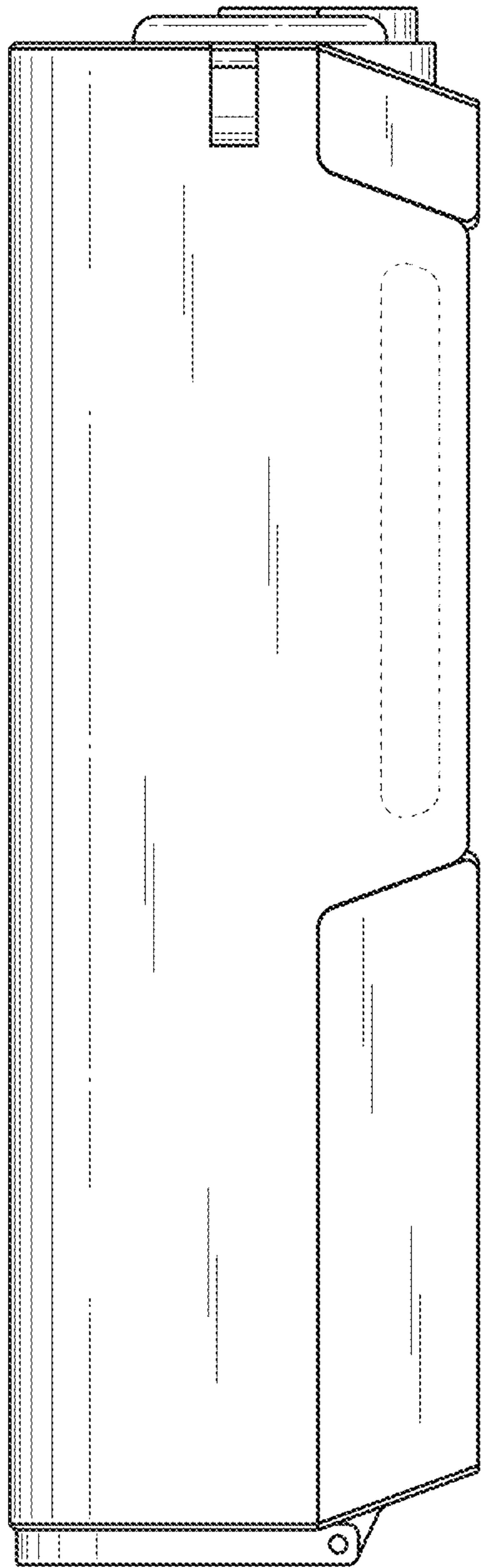


Fig. 4

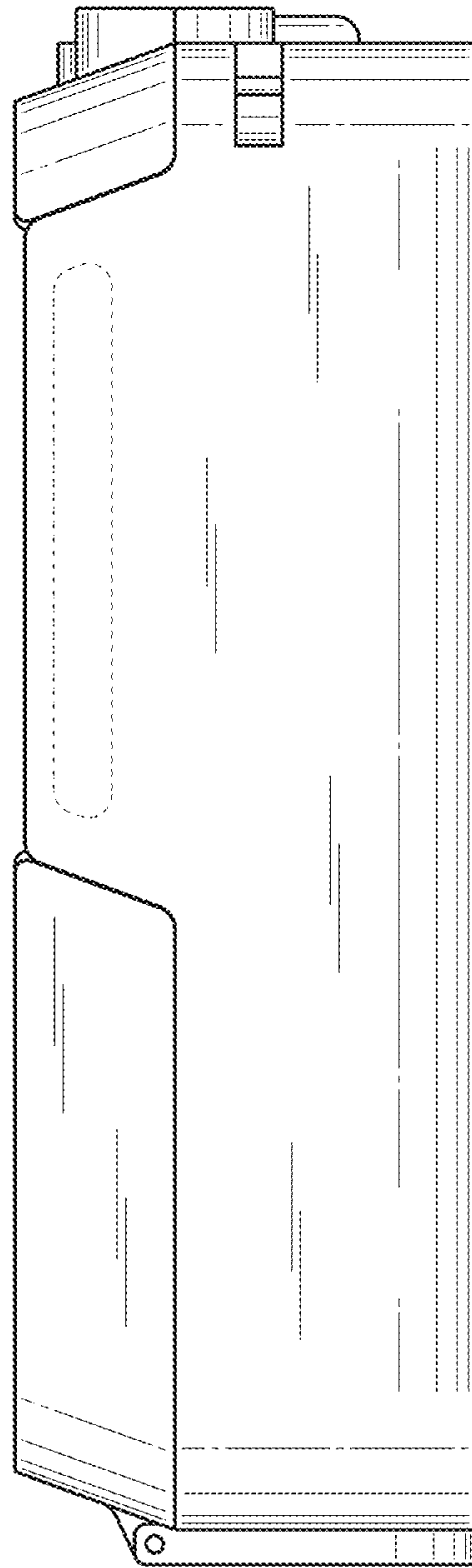


Fig. 5

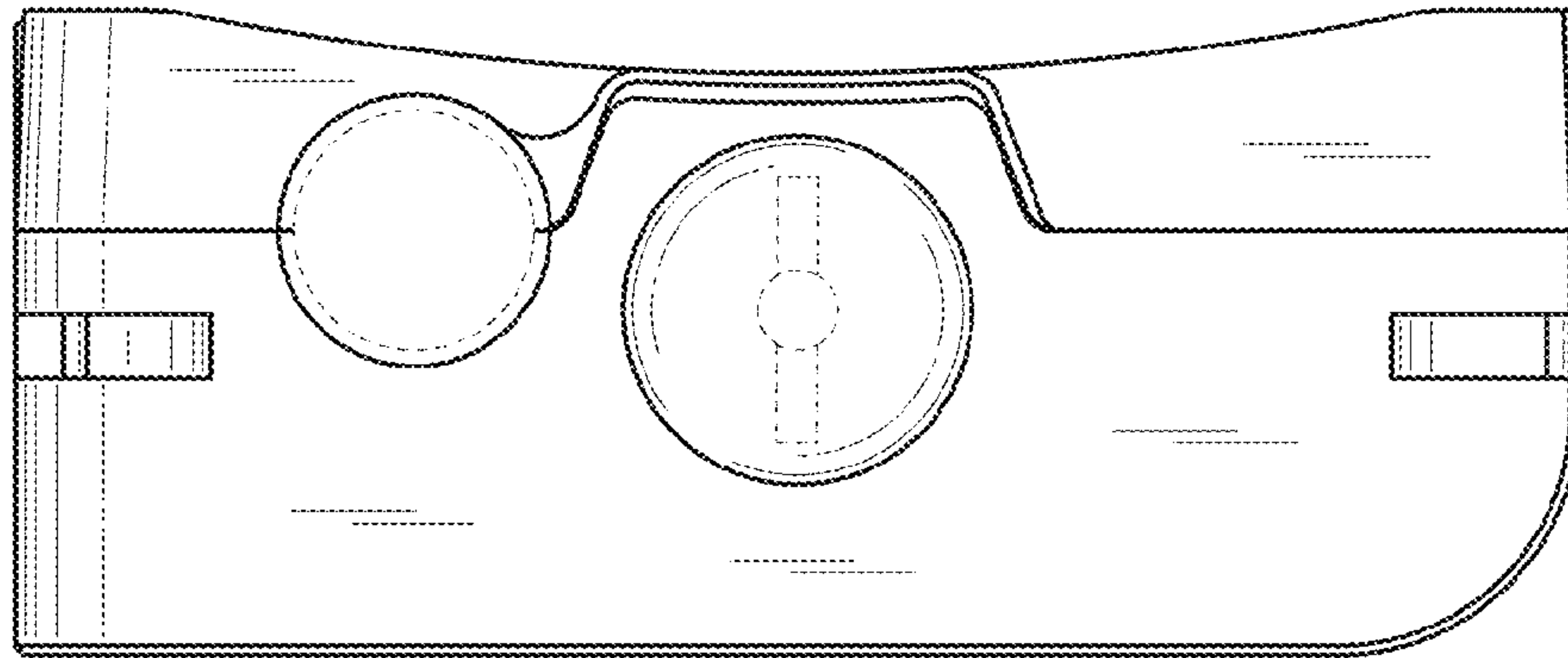


Fig. 6

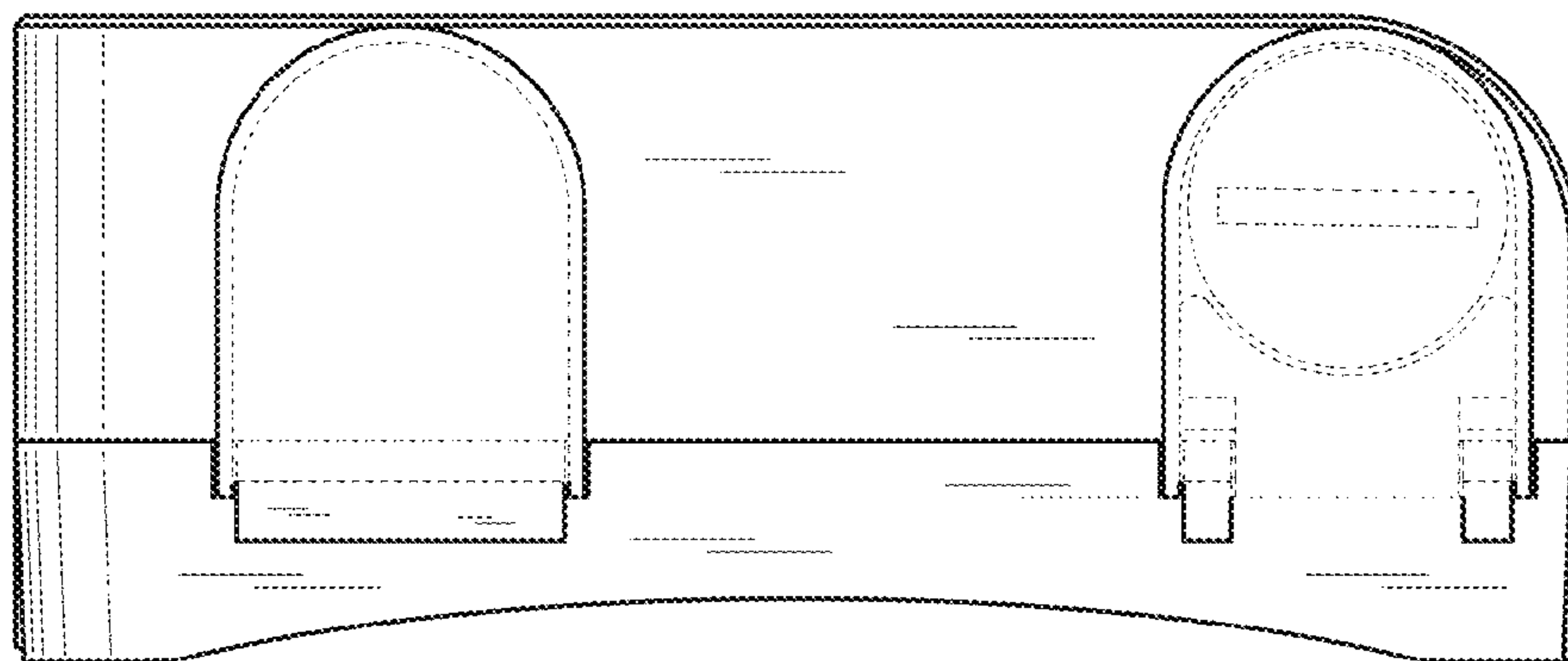


Fig. 7