



US00D709180S

(12) **United States Design Patent**
Rummery et al.

(10) **Patent No.:** **US D709,180 S**
(45) **Date of Patent:** **** Jul. 15, 2014**

- (54) **CLIP RECEPTACLE FOR A RESPIRATORY MASK OR A POSITIVE AIRWAY PRESSURE (PAP) DELIVERY DEVICE**
- (75) Inventors: **Gerard Michael Rummery**, Woodford (AU); **Matthew David Spruell**, Roseville (AU); **Stuart Norris Plascott**, Macquarie Park (AU); **Robert Edward Henry**, Baulkham Hills (AU); **David Anthony Pidcock**, Castle Hill (AU); **Michael Charles Laguzza**, Carlington (AU); **Suresh Parmar**, Bella Vista (AU); **Jamie Graeme Wehbeh**, Mosman (AU); **Stewart Joseph Wagner**, Bowen Mountain (AU); **James William Charles Vandyke**, Glebe (AU)

D556,898 S	12/2007	Guney et al.	
D557,411 S	12/2007	Smart et al.	
D572,816 S *	7/2008	Lang et al.	D24/110.1
D595,841 S	7/2009	McAuley et al.	
D616,156 S *	5/2010	Bugno et al.	D29/122
D619,927 S *	7/2010	Guyton et al.	D11/212
D622,007 S *	8/2010	Higgins	D29/122
D630,842 S *	1/2011	Fonseca	D3/228
7,918,828 B2 *	4/2011	Lundgaard et al.	604/174
D639,932 S	6/2011	D'Souza et al.	
D655,808 S	3/2012	Stallard et al.	
2008/0006277 A1	1/2008	Worboys et al.	
2011/0155139 A1	6/2011	Ho et al.	
2011/0277770 A1	11/2011	Chang	

- (73) Assignee: **ResMed Limited**, Bella Vista (AU)
- (**) Term: **14 Years**
- (21) Appl. No.: **29/401,274**

OTHER PUBLICATIONS

Spruell et al., U.S. Appl. No. 29/371,435, filed Feb. 25, 2011.
 Spruell et al., U.S. Appl. No. 29/371,434, filed Feb. 25, 2011.

- (22) Filed: **Sep. 9, 2011**
- (51) **LOC (10) Cl.** **29-02**
- (52) **U.S. Cl.**
USPC **D24/110.1**
- (58) **Field of Classification Search**
USPC D24/110.1; D8/382; D11/218;
D29/122; 128/202.27, 206.27, 207.11,
128/207.17; 403/321
See application file for complete search history.

* cited by examiner

Primary Examiner — Ian Simmons
Assistant Examiner — Richelle G Shelton
 (74) *Attorney, Agent, or Firm* — Nixon & Vanderhye, P.C.

- (56) **References Cited**
- U.S. PATENT DOCUMENTS
- | | | | |
|---------------|--------|------------------|------------|
| 4,907,582 A * | 3/1990 | Meyerrose | 128/201.11 |
| D410,194 S * | 5/1999 | Hilton et al. | D8/382 |
| D492,992 S | 7/2004 | Guney et al. | |
| D505,489 S | 5/2005 | Sleeper | |
| D538,927 S | 3/2007 | Aylsworth et al. | |

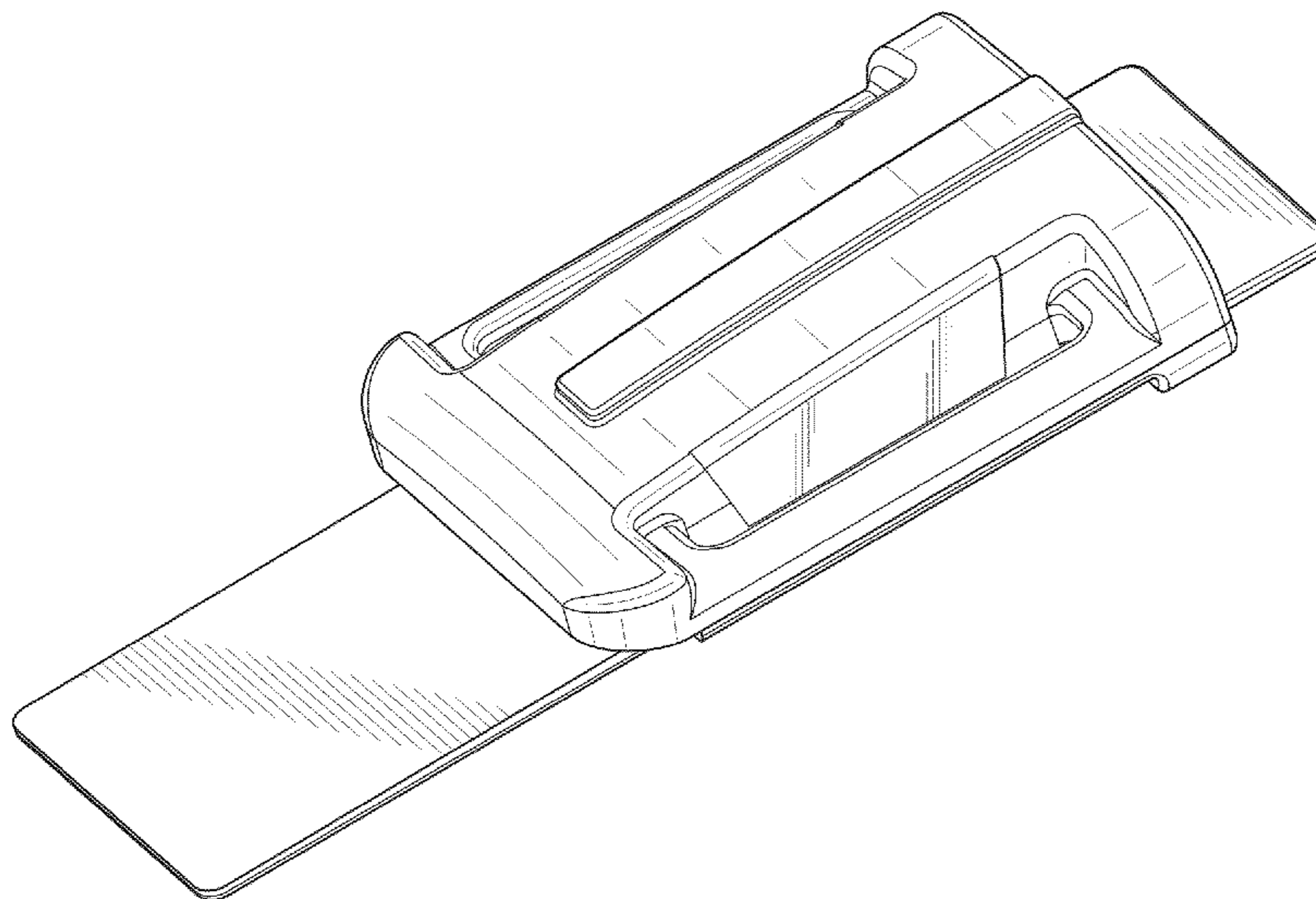
(57) **CLAIM**

The ornamental design for a clip receptacle for a respiratory mask or a positive airway pressure (PAP) delivery device, as shown and described.

DESCRIPTION

FIG. 1 is a perspective view of a clip receptacle for a respiratory mask or a positive airway pressure (PAP) delivery device showing of our new ornamental design;
 FIG. 2 is a front view thereof;
 FIG. 3 is a rear view thereof;
 FIG. 4 is a top view thereof;
 FIG. 5 is a bottom view thereof;
 FIG. 6 is a right side view thereof; and,
 FIG. 7 is a left side view thereof.

1 Claim, 4 Drawing Sheets



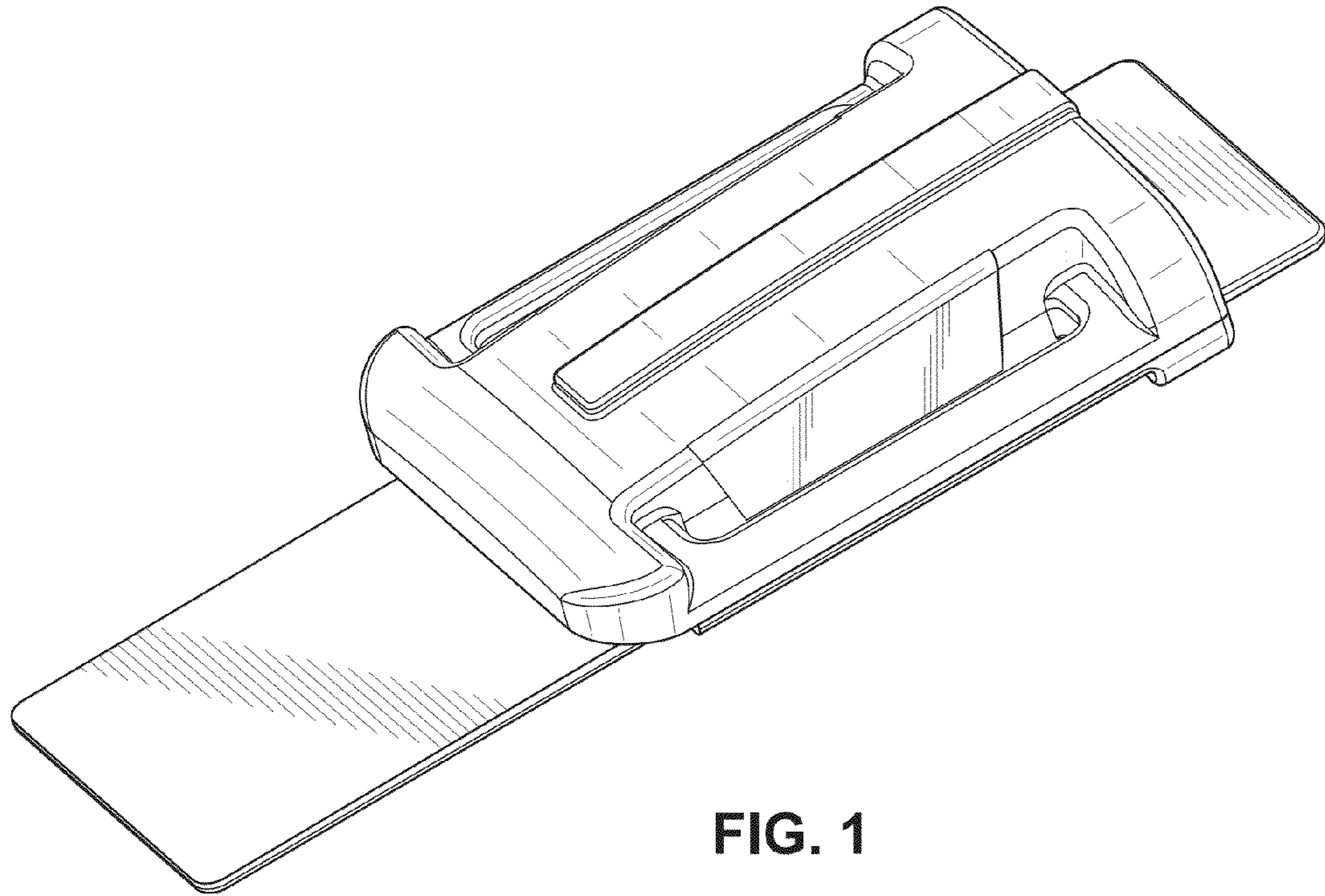


FIG. 1

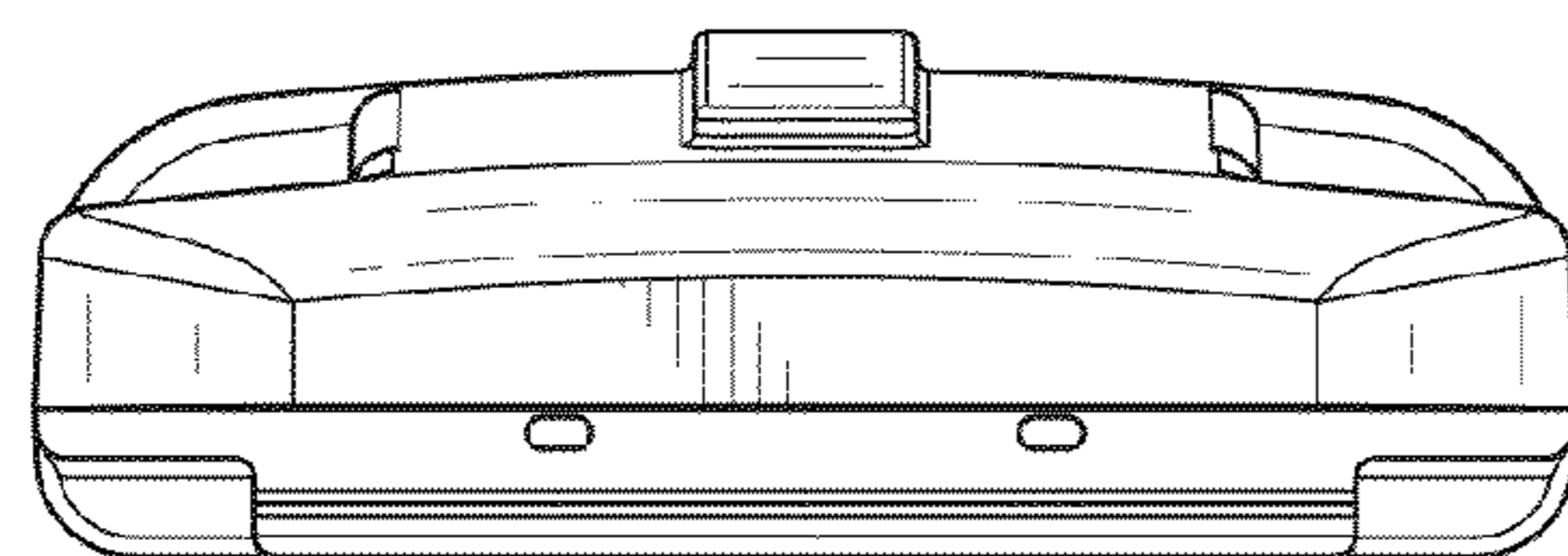


FIG. 2

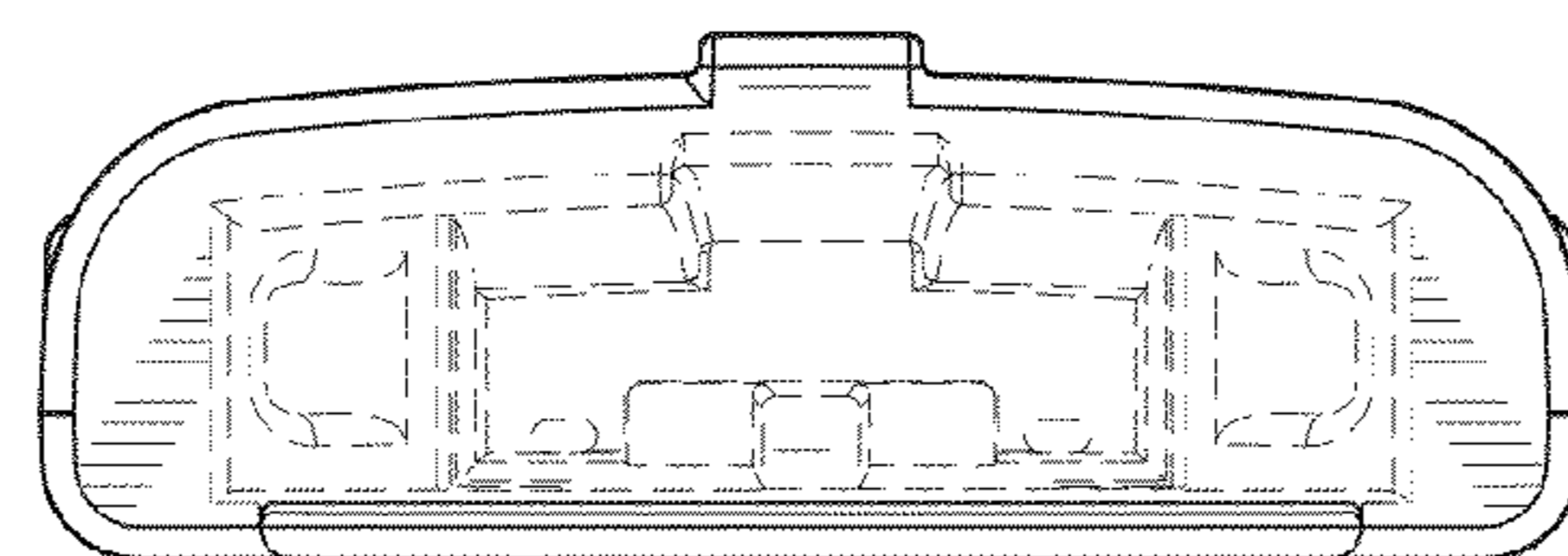


FIG. 3

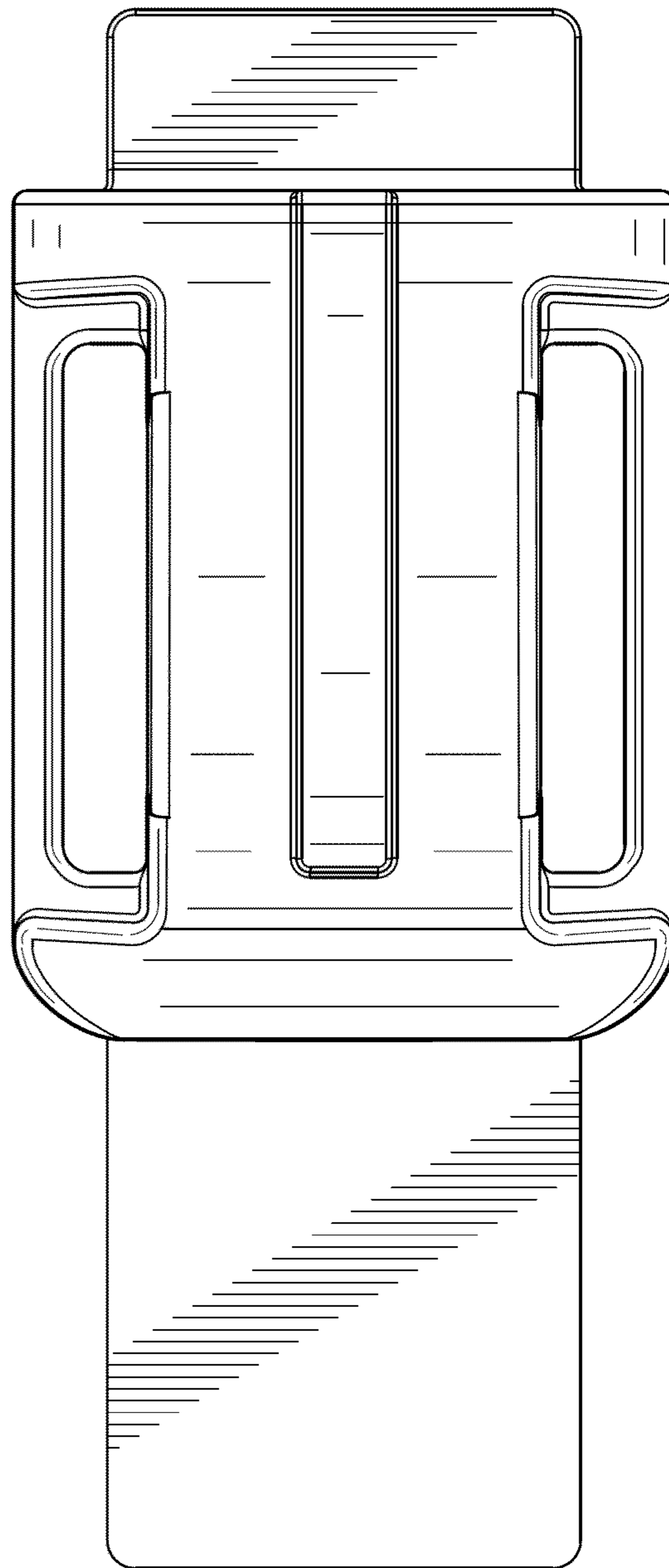


FIG. 4

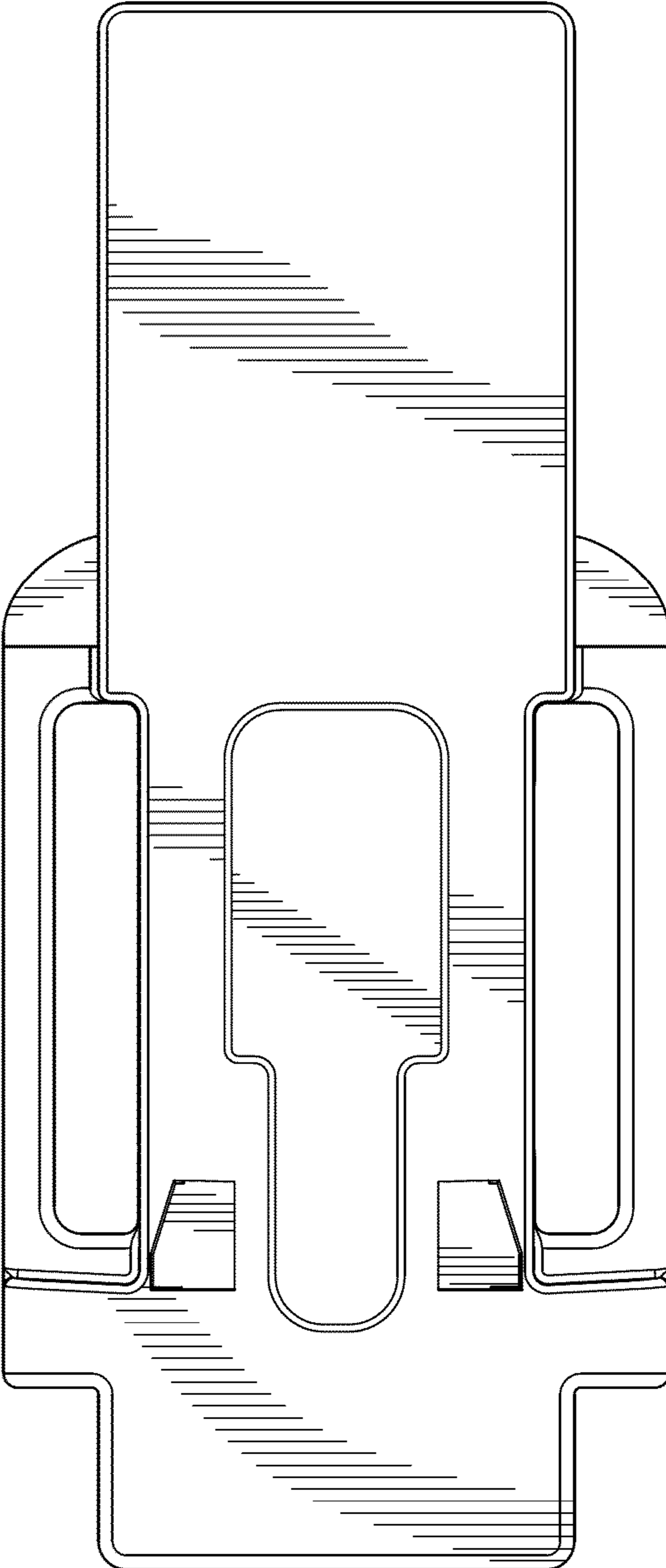


FIG. 5

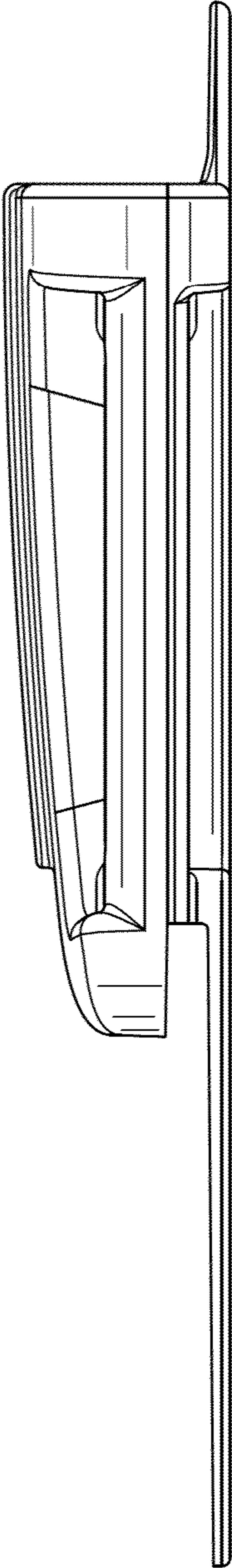


FIG. 6

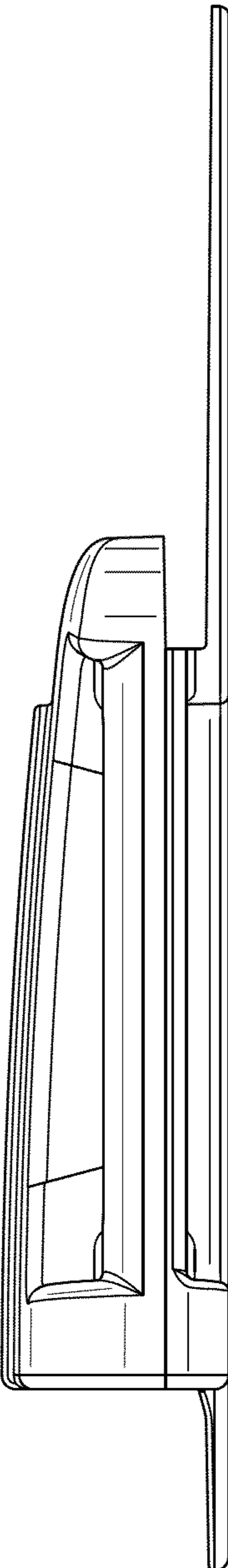


FIG. 7