



US00D709179S

(12) **United States Design Patent**
Inoue et al.

(10) **Patent No.:** **US D709,179 S**
(45) **Date of Patent:** **** Jul. 15, 2014**

(54) **ATOMIZER FOR INHALER**

FOREIGN PATENT DOCUMENTS

(75) Inventors: **Kosuke Inoue**, Kyoto (JP); **Masayuki Esaki**, Ibaraki (JP); **Yoichi Sasai**, Kyoto (JP)

JP D1264155 3/2003

* cited by examiner

(73) Assignee: **Omron Healthcare Co., Ltd.**, Kyoto (JP)

Primary Examiner — Ian Simmons

Assistant Examiner — Richelle G Shelton

(74) *Attorney, Agent, or Firm* — Capitol City TechLaw

(**) Term: **14 Years**

(21) Appl. No.: **29/422,342**

(22) Filed: **May 18, 2012**

(57) **CLAIM**

The ornamental design for an atomizer for inhaler, as shown and described.

(30) **Foreign Application Priority Data**

DESCRIPTION

Nov. 24, 2011 (JP) 2011-027081

(51) **LOC (10) Cl.** **29-02**

(52) **U.S. Cl.**
USPC **D24/110**

(58) **Field of Classification Search**
USPC D24/110, 110.5; 128/200.14, 200.21,
128/203.12

See application file for complete search history.

FIG. 1 is a front, top, and left side perspective view of an atomizer for inhaler showing our new design;

FIG. 2 is a front view thereof;

FIG. 3 is a rear view thereof;

FIG. 4 is a top view thereof;

FIG. 5 is a bottom view thereof;

FIG. 6 is a right side view thereof;

FIG. 7 is a left side view thereof; and,

FIG. 8 is a cross-sectional view taken in the direction of line 8-8 shown in FIG. 4.

The atomizer for inhaler is fabricated from translucent materials. The broken line showing of interior portions of the article is included for the purpose of illustrating structural environment and forms no part of the claimed design.

(56) **References Cited**

U.S. PATENT DOCUMENTS

D493,220 S * 7/2004 Burge et al. D24/110

D550,835 S 9/2007 Tanaka et al.

D597,656 S * 8/2009 Bird et al. D24/110

1 Claim, 8 Drawing Sheets

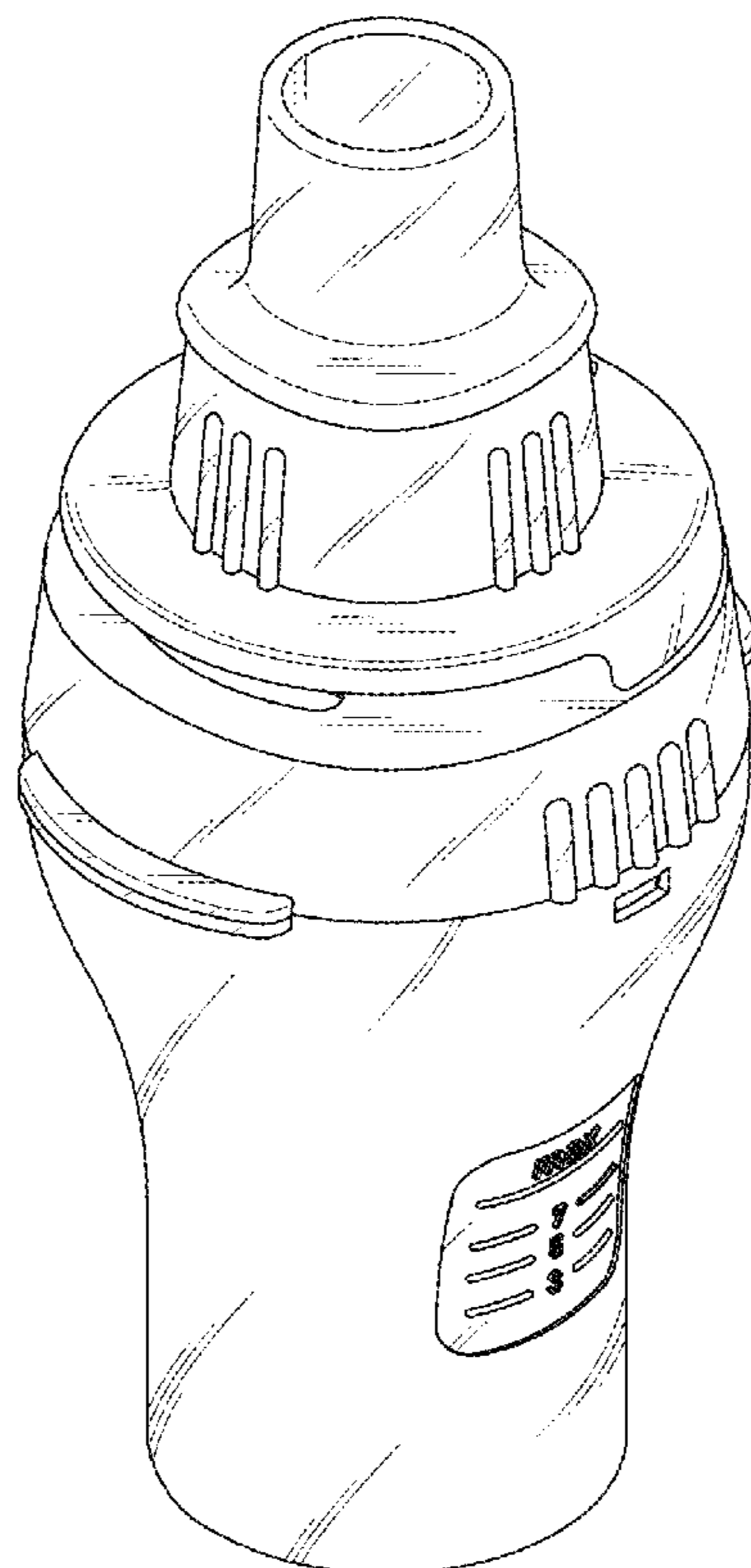


Fig. 1

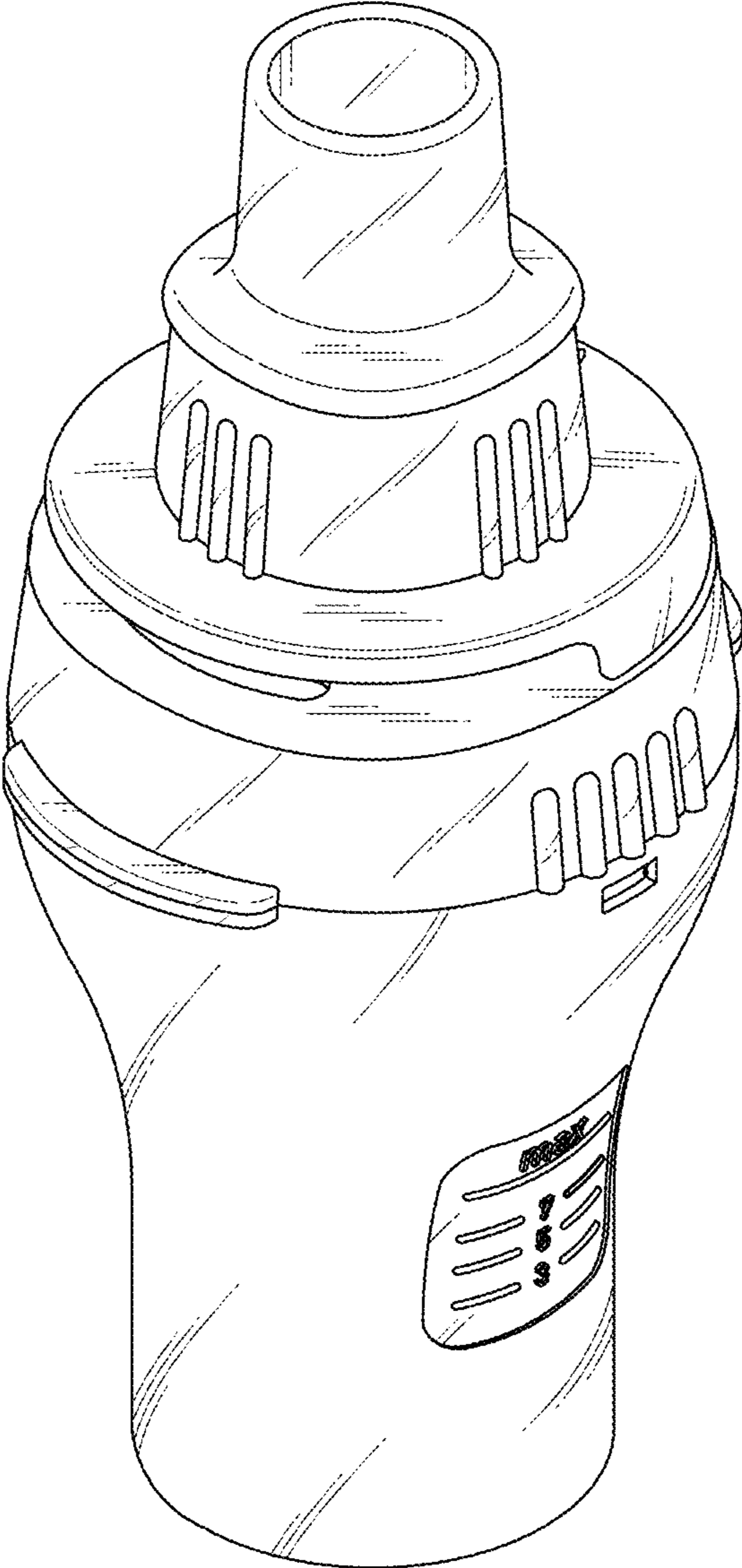


Fig. 2

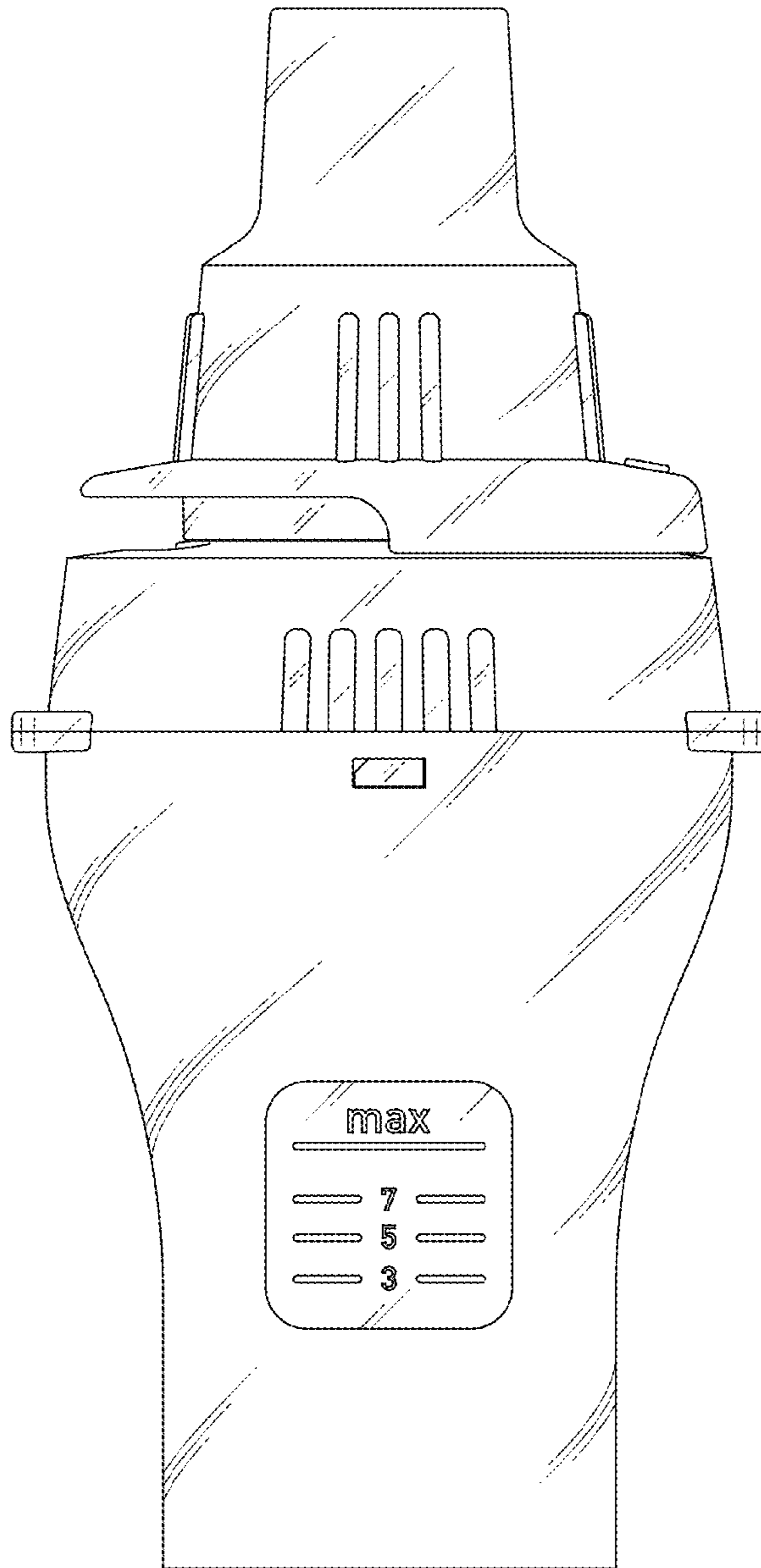


Fig. 3

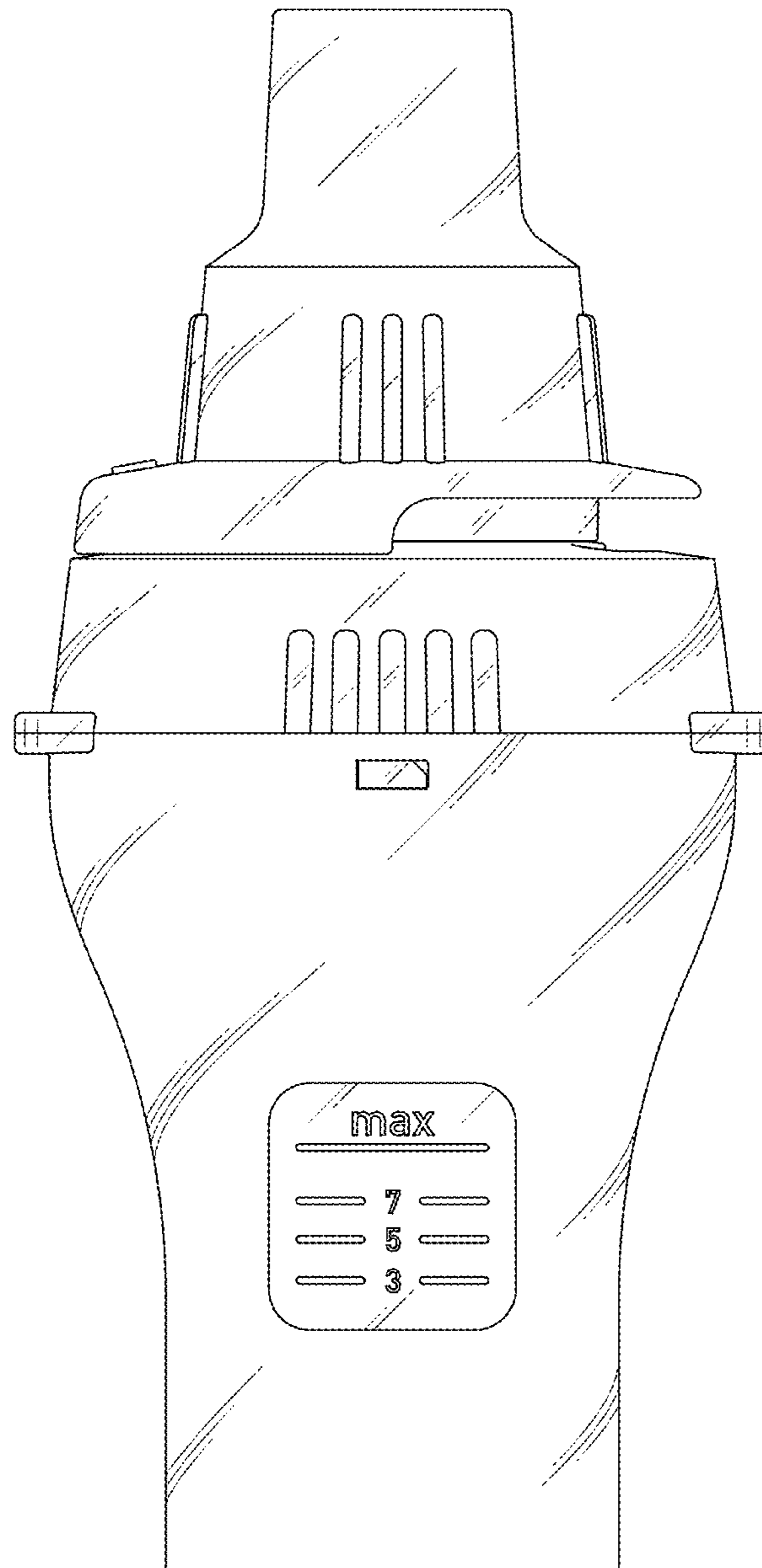


Fig. 4

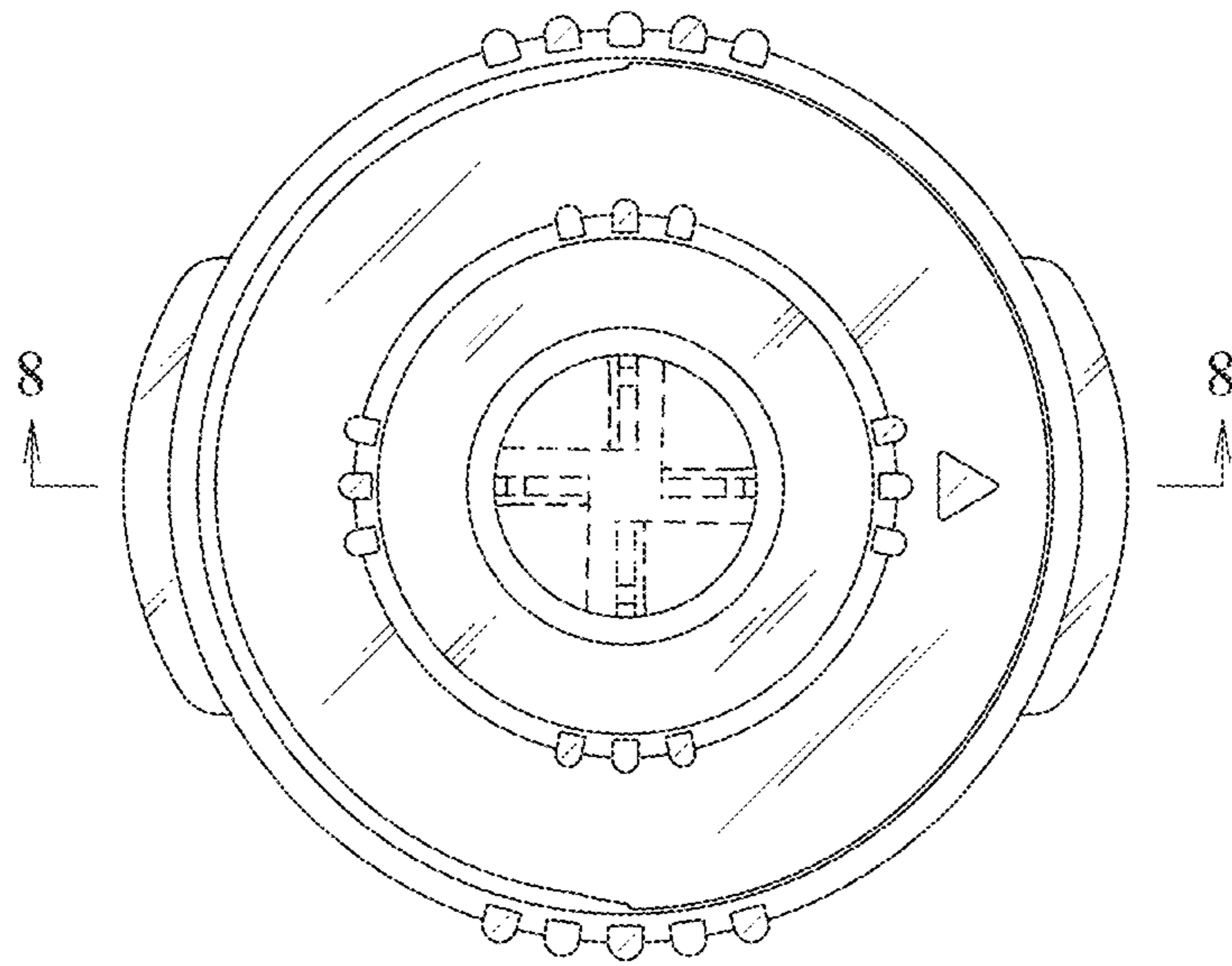


Fig. 5

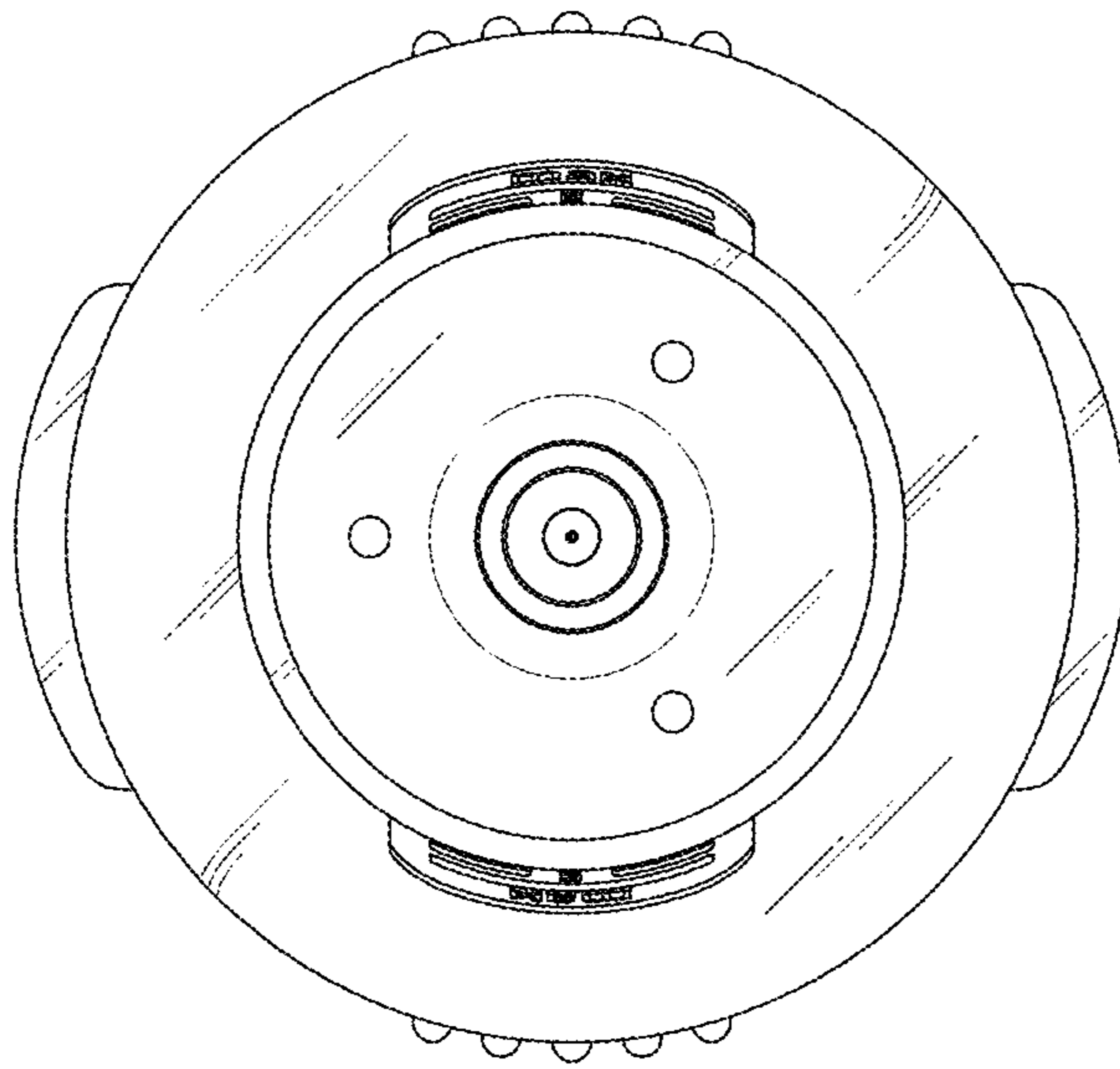


Fig. 6

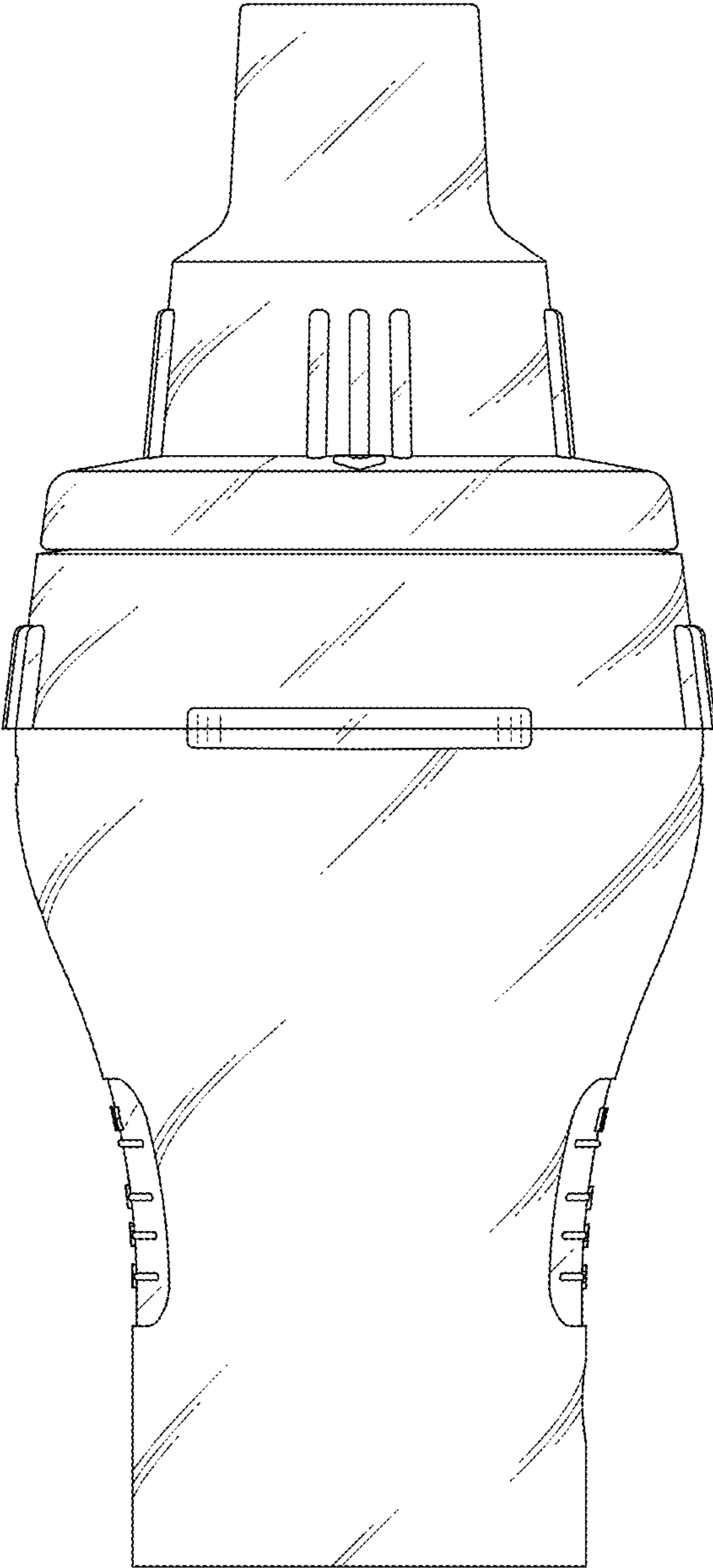


Fig. 7

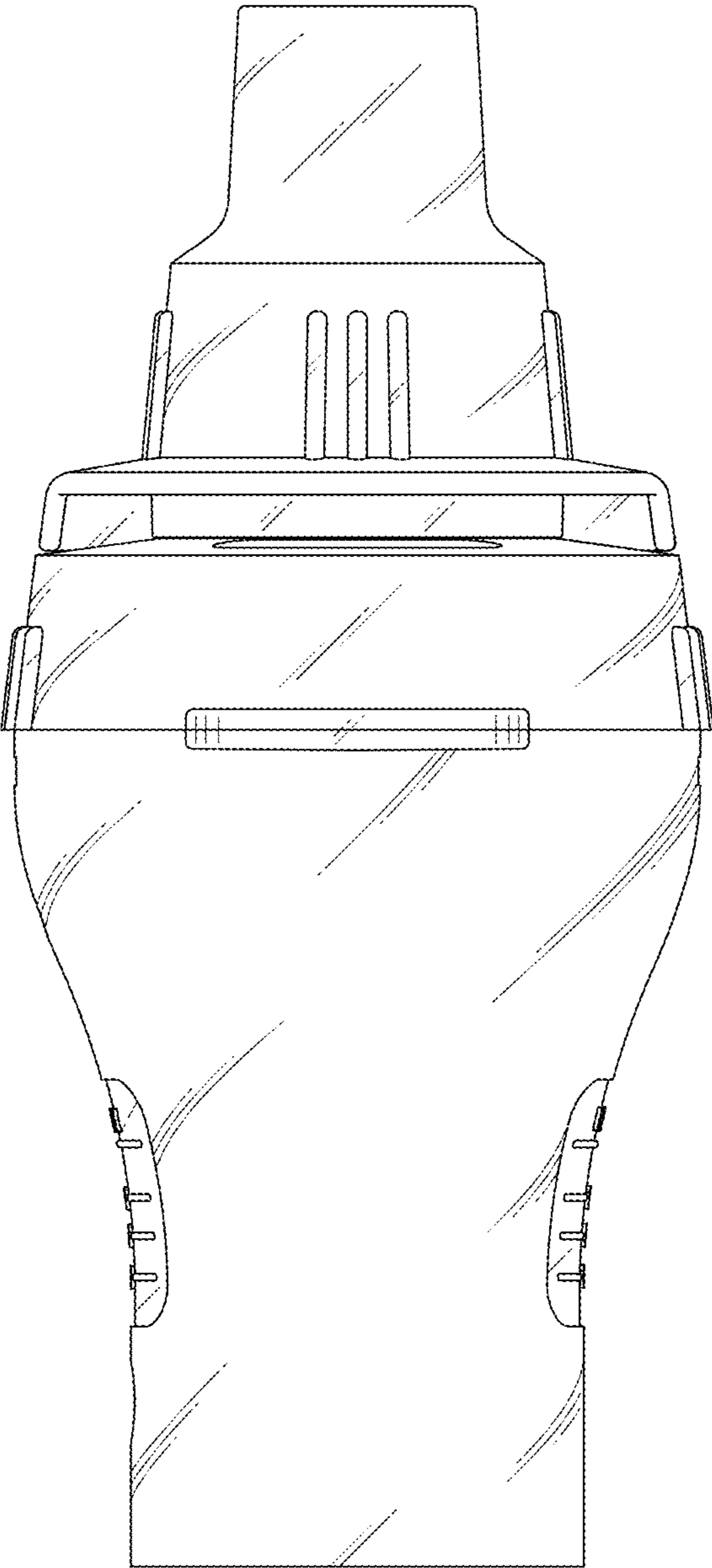


Fig. 8

