



US00D709178S

(12) **United States Design Patent**
Tanaka et al.

(10) **Patent No.:** **US D709,178 S**
(45) **Date of Patent:** **** Jul. 15, 2014**

(54) **ATOMIZER FOR INHALER**

FOREIGN PATENT DOCUMENTS

(75) Inventors: **Shinya Tanaka**, Osaka (JP); **Kosuke Inoue**, Kyoto (JP); **Tadashi Koike**, Kyoto (JP)

EM 001745159 8/2010
JP D1397796 10/2010

* cited by examiner

(73) Assignee: **Omron Healthcare Co., Ltd.**, Kyoto (JP)

Primary Examiner — Ian Simmons
Assistant Examiner — Richelle G Shelton

(74) *Attorney, Agent, or Firm* — Capitol City TechLaw

(**) Term: **14 Years**

(57) **CLAIM**

The ornamental design for an atomizer for inhaler, as shown and described.

(21) Appl. No.: **29/422,322**

(22) Filed: **May 18, 2012**

DESCRIPTION

(30) **Foreign Application Priority Data**

Nov. 24, 2011 (JP) 2011-027079

(51) **LOC (10) CL.** **29-02**

(52) **U.S. CL.**
USPC **D24/110**

(58) **Field of Classification Search**
USPC D24/110, 110.5; 128/200.14, 200.21,
128/203.12
See application file for complete search history.

FIG. 1 is a front, top, and right side perspective view of an atomizer for inhaler showing our new design;

FIG. 2 is a front, bottom, and right side perspective view thereof;

FIG. 3 is a front view thereof;

FIG. 4 is a rear view thereof;

FIG. 5 is a top view thereof;

FIG. 6 is a bottom view thereof;

FIG. 7 is a right side view thereof;

FIG. 8 is a left side view thereof; and,

FIG. 9 is a cross-sectional view taken in the direction of line 9-9 shown in FIG. 5.

The oblique shading indicates translucency. The broken line showing of interior portions of the article is included for the purpose of illustrating structural environment and forms no part of the claimed design.

(56) **References Cited**

U.S. PATENT DOCUMENTS

D471,626 S * 3/2003 Terada et al. D24/110
D550,835 S * 9/2007 Tanaka et al. D24/110
D597,656 S * 8/2009 Bird et al. D24/110

1 Claim, 9 Drawing Sheets

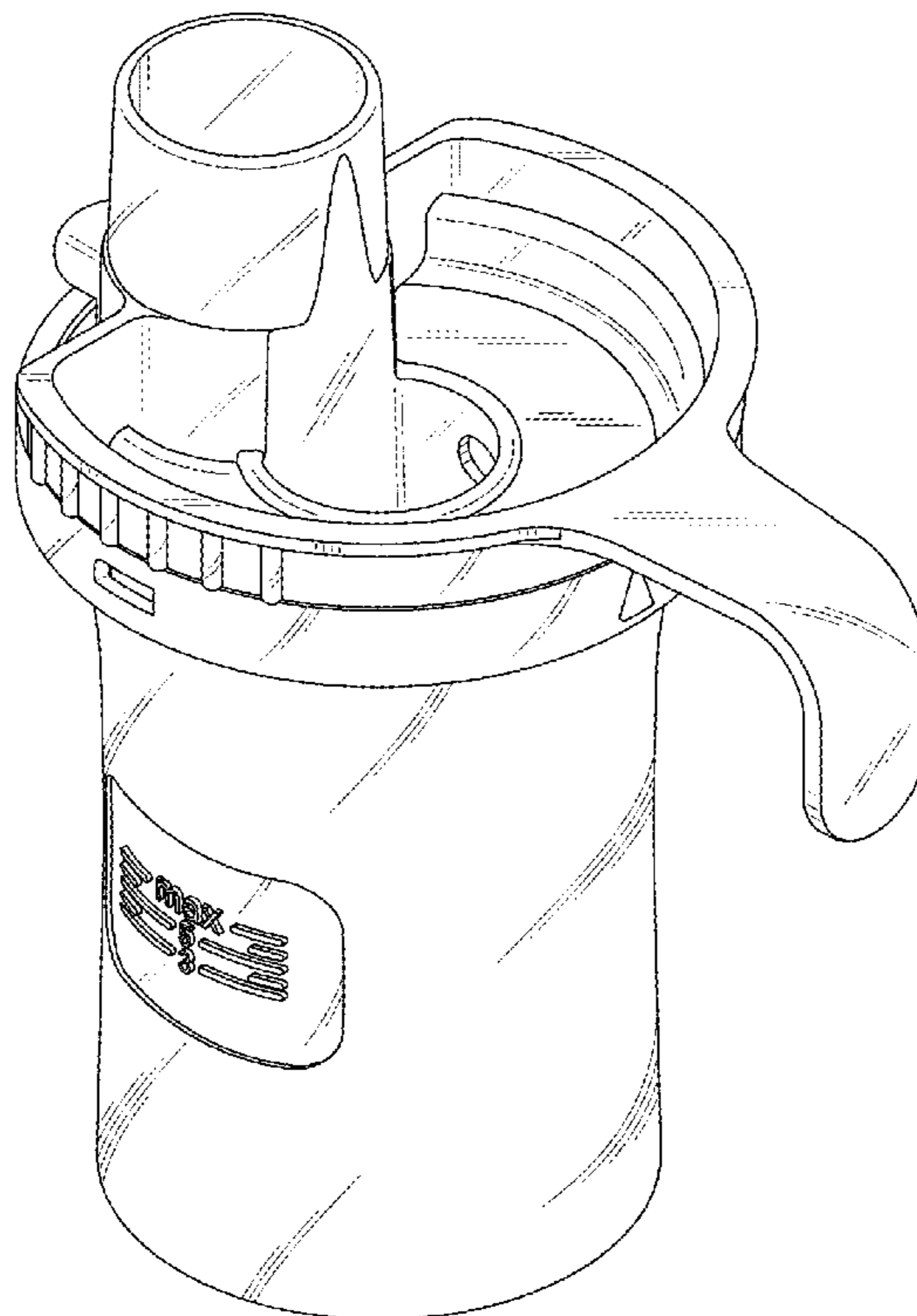


Fig. 1

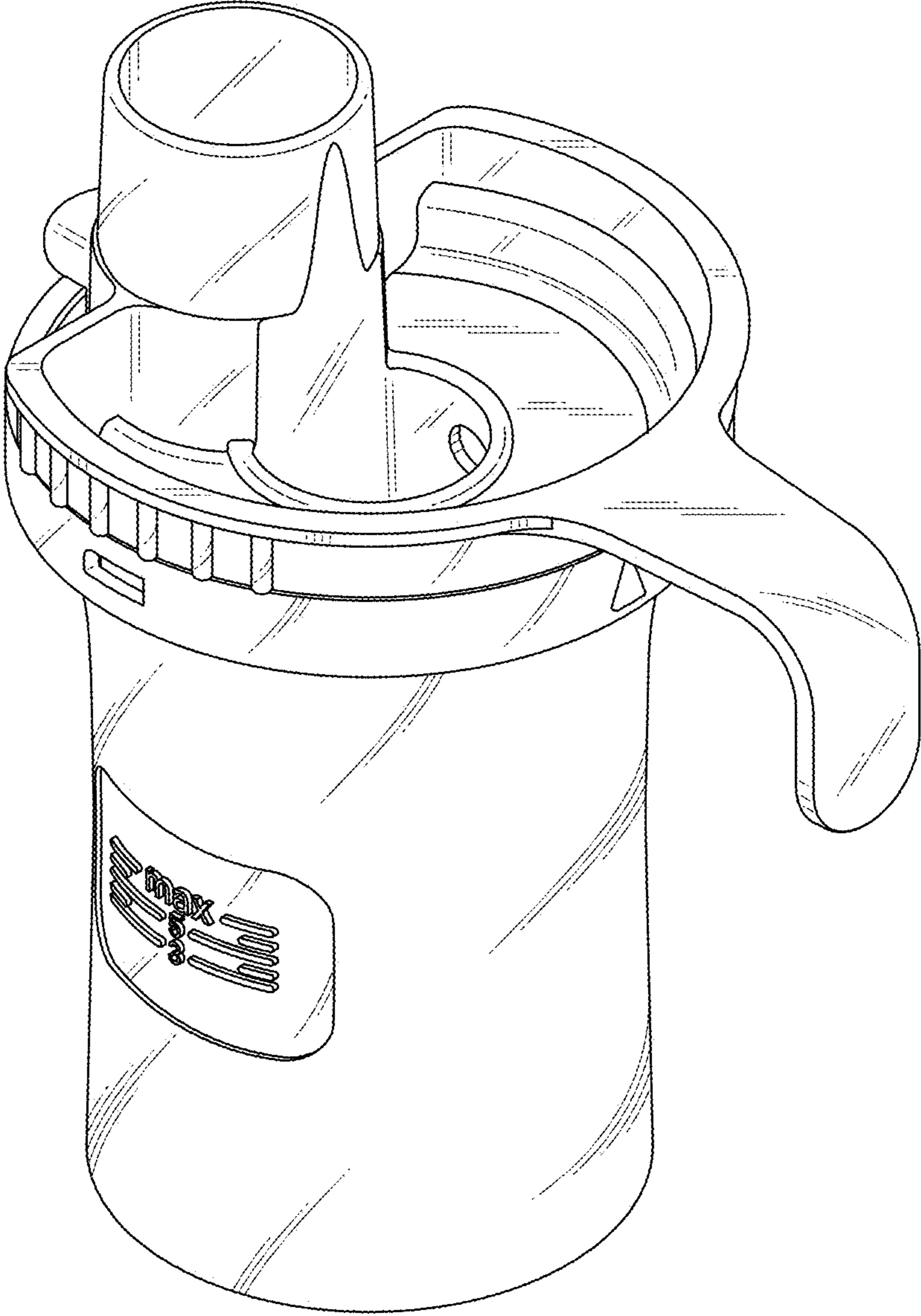


Fig. 2

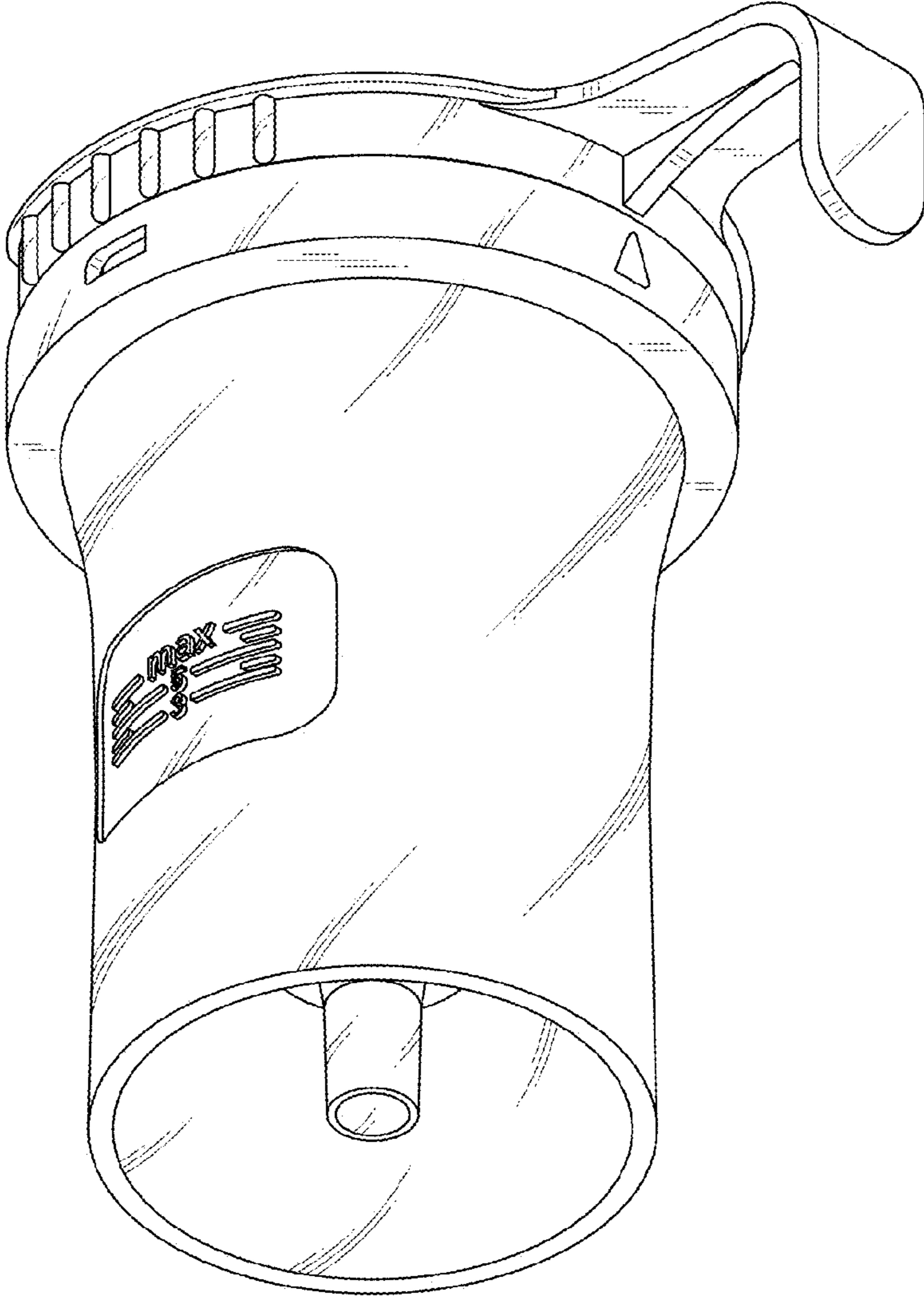


Fig. 3

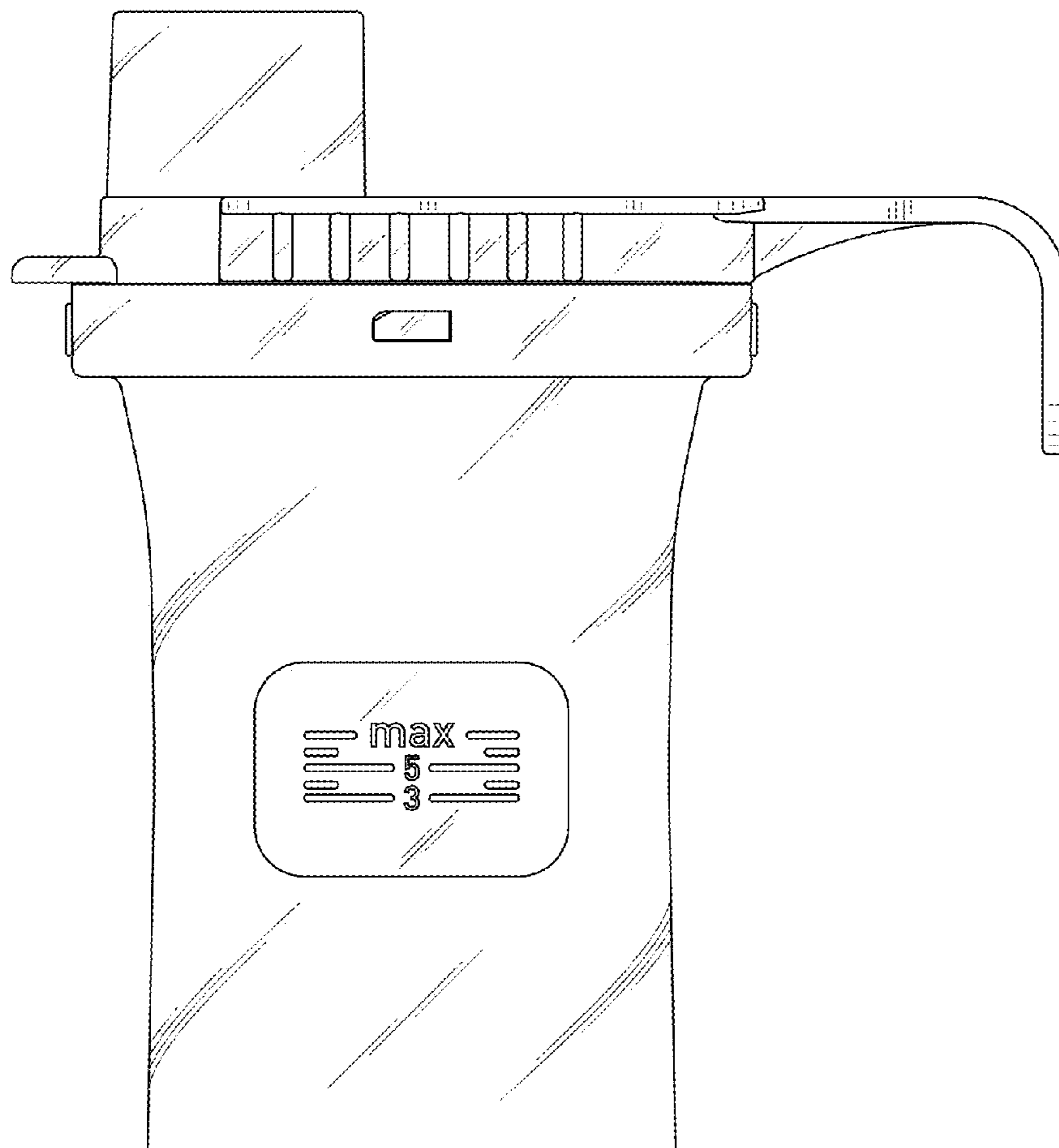


Fig. 4

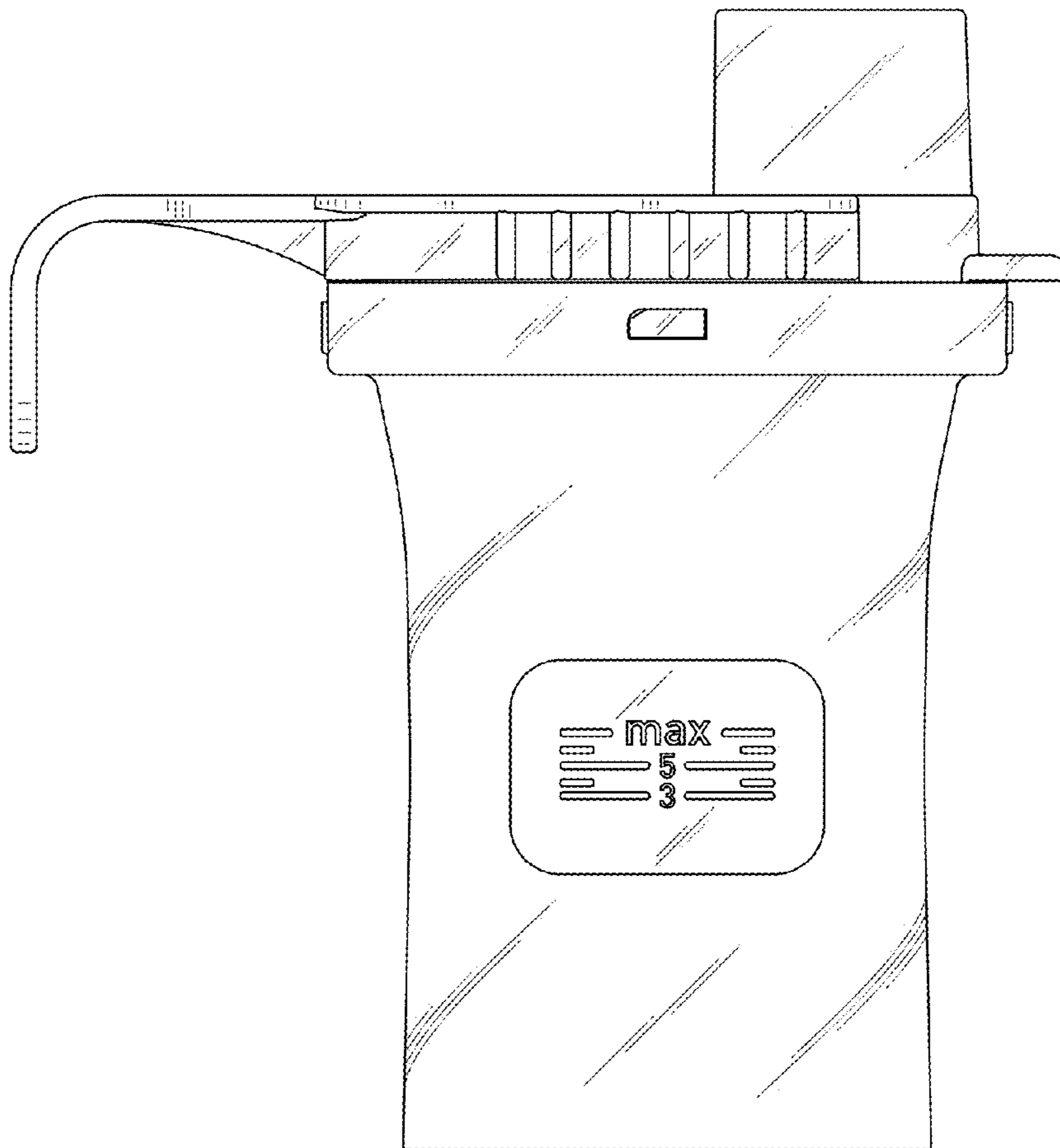


Fig. 5

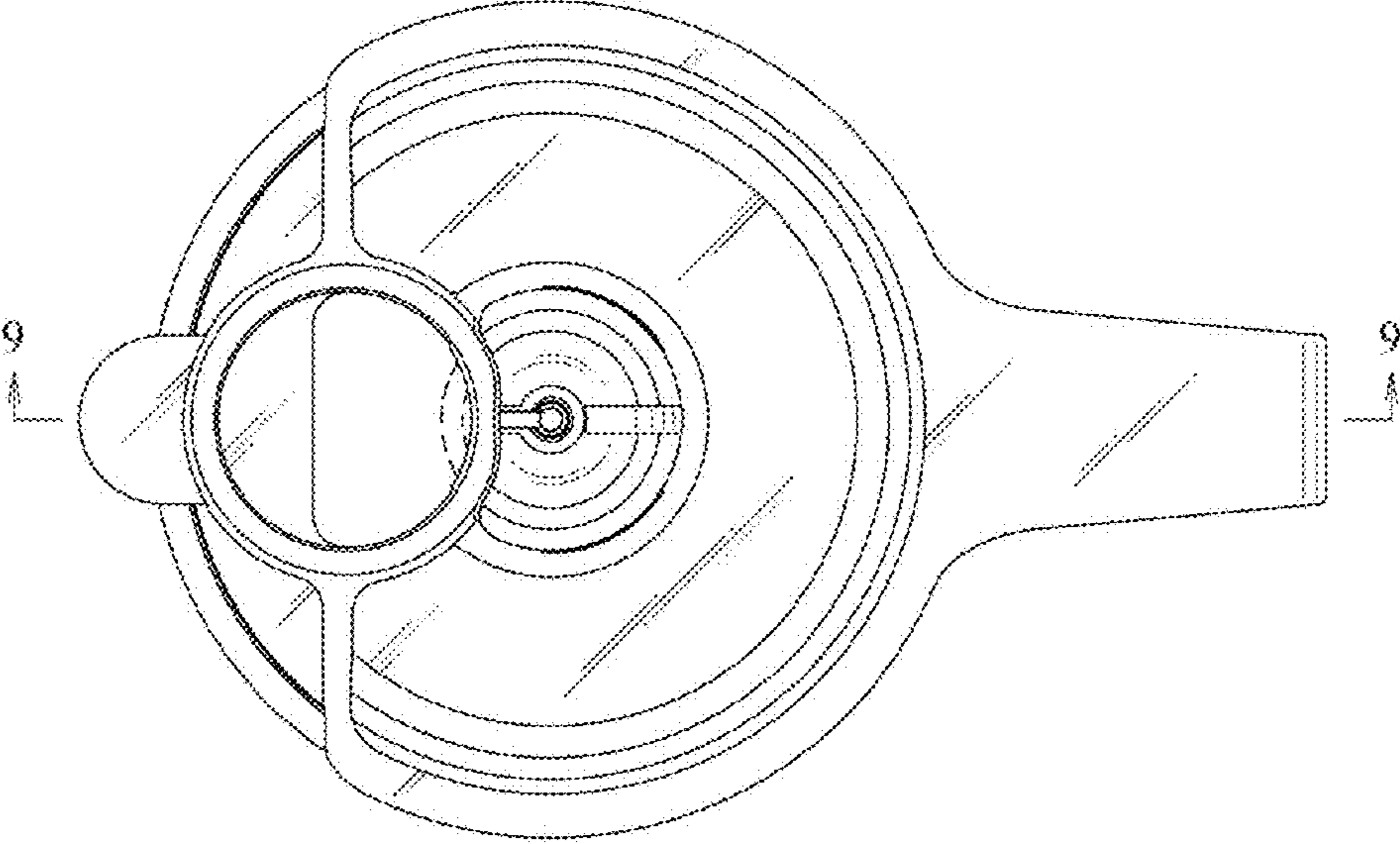


Fig. 6

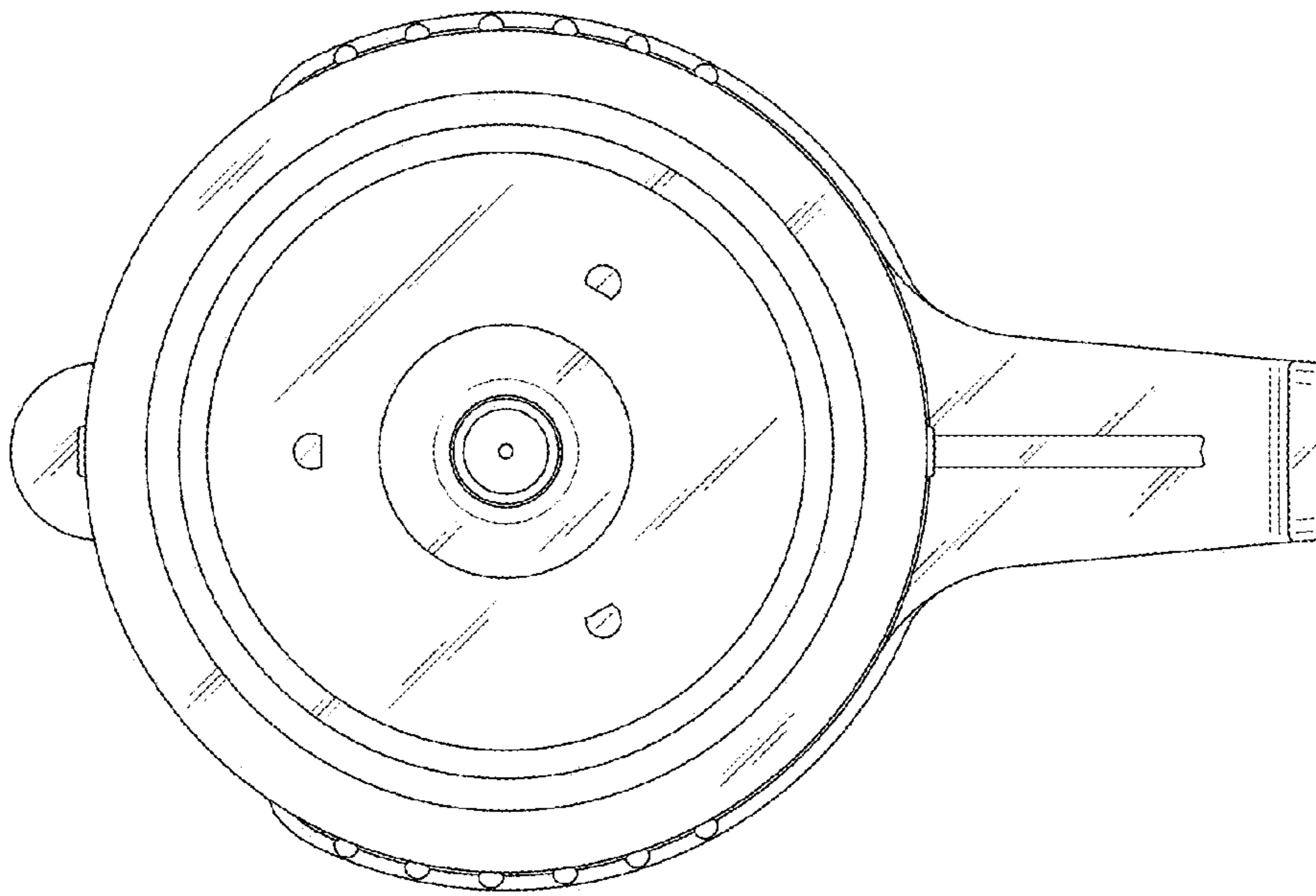


Fig. 7

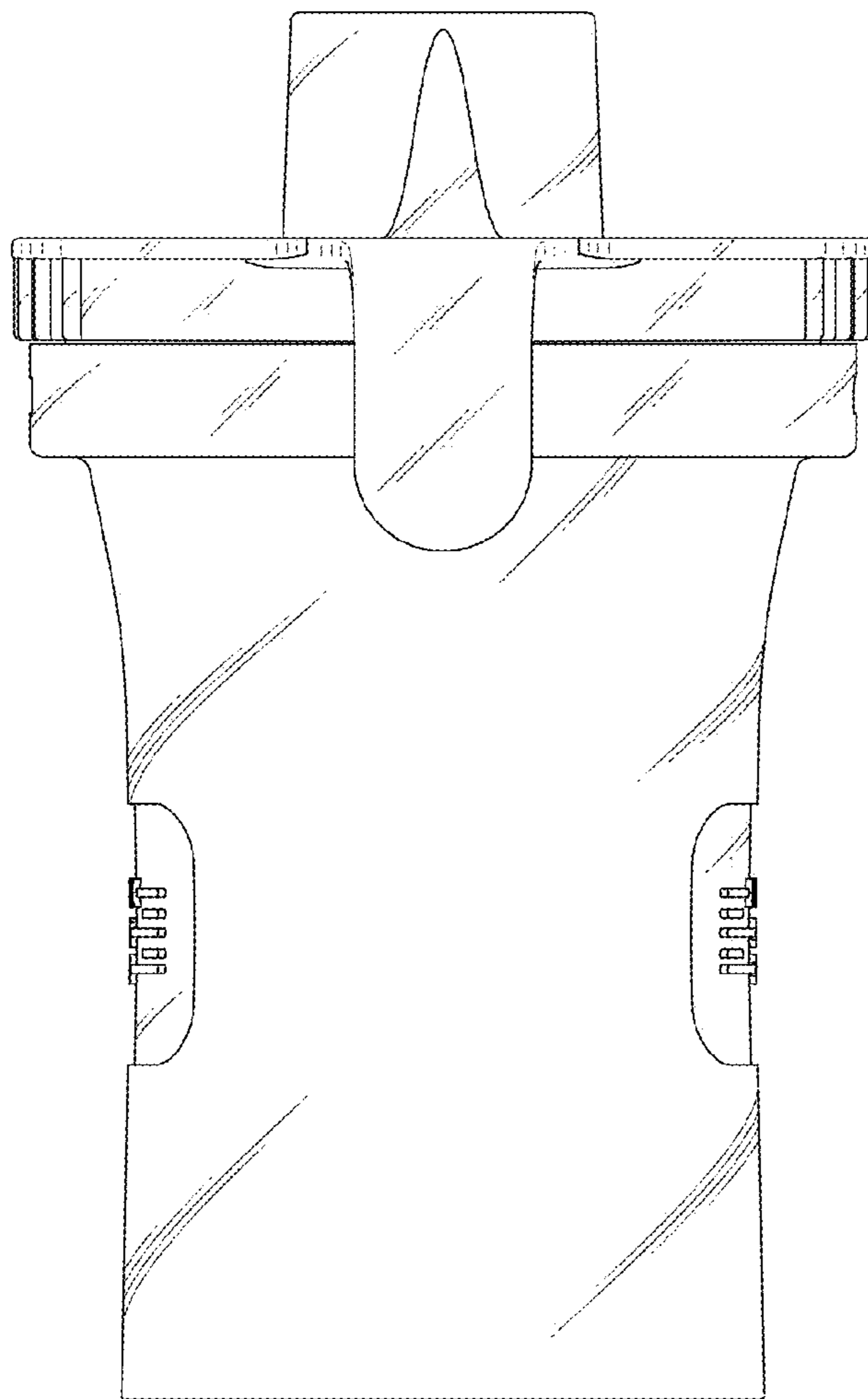


Fig. 8

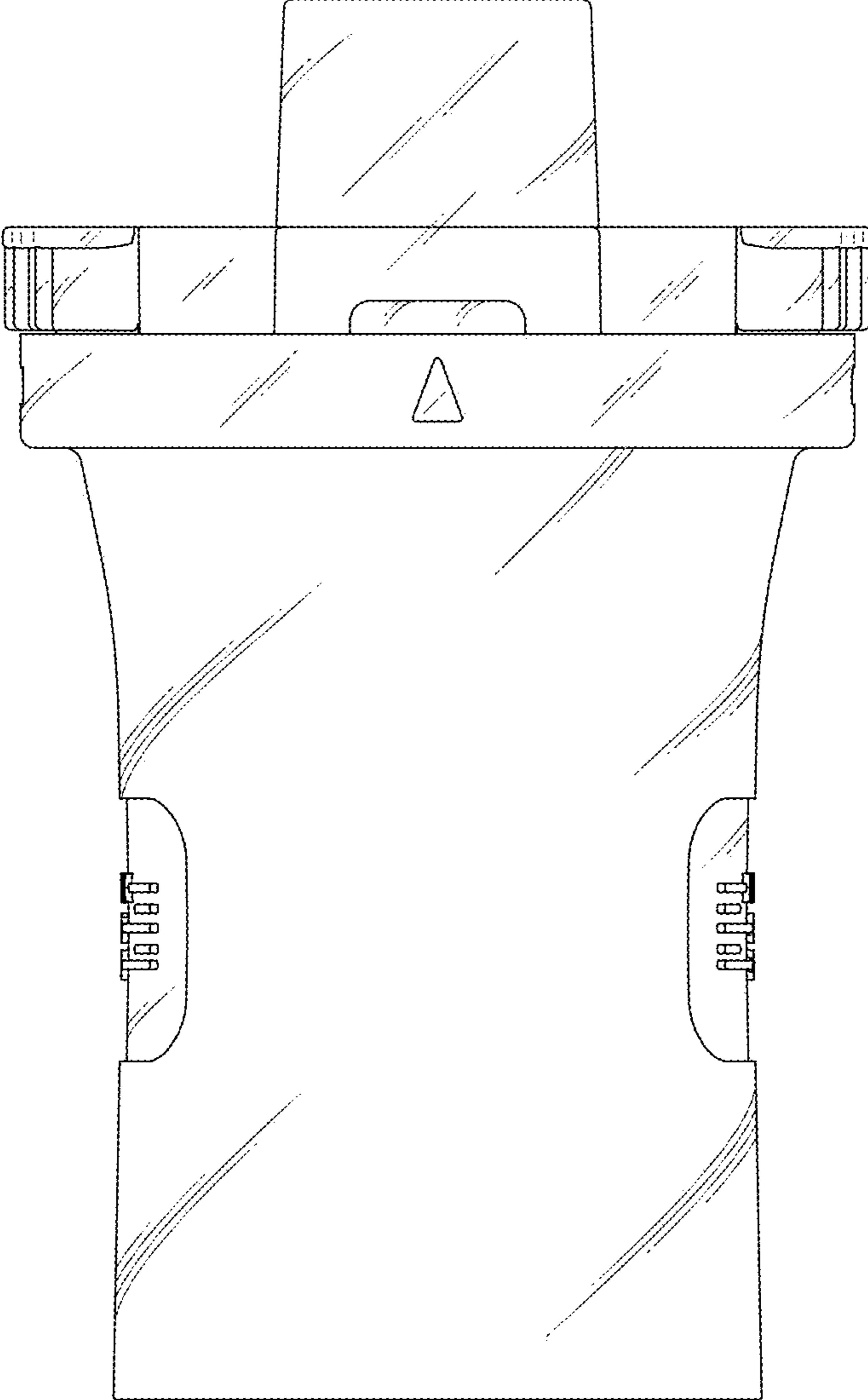


Fig. 9

