

US00D709176S

(12) **United States Design Patent**
Dalsin et al.

(10) **Patent No.:** **US D709,176 S**
(45) **Date of Patent:** **** Jul. 15, 2014**

- (54) **ASH COLLECTOR FOR A STOVE**
- (71) Applicant: **Bernard Dalsin Manufacturing Company**, Farmington, MN (US)
- (72) Inventors: **William A. Dalsin**, Lakeville, MN (US);
Christopher W. Dalsin, Welch, MN (US)
- (73) Assignee: **Bernard Dalsin Manufacturing Company**, Farmington, MN (US)
- (**) Term: **14 Years**

609,949	A *	8/1898	Schneider et al.	126/368.1
629,544	A *	7/1899	Cadman	126/65
801,956	A *	10/1905	Zacharias	165/128
2,531,920	A *	11/1950	Raminger	15/327.1
3,120,020	A *	2/1964	Schell	15/249.2
4,287,874	A *	9/1981	Michael	126/242
4,348,992	A *	9/1982	Southard	123/142.5 R
4,411,253	A *	10/1983	Devin	126/242
D272,085	S *	1/1984	Rhoades et al.	D23/420
4,457,289	A *	7/1984	Korenberg	122/4 D
4,957,039	A *	9/1990	Reyes	99/340
D342,131	S *	12/1993	Westenberg	D23/416
5,385,105	A *	1/1995	Withers et al.	110/346
5,809,991	A *	9/1998	Pai	126/242
5,983,885	A *	11/1999	Jarvi	126/73

* cited by examiner

- (21) Appl. No.: **29/433,337**
- (22) Filed: **Sep. 28, 2012**
- (51) **LOC (10) Cl.** **23-03**
- (52) **U.S. Cl.**
USPC **D23/420**
- (58) **Field of Classification Search**
CPC F24B 1/1915; F24B 15/00; F24B 15/04;
F24B 13/04
USPC D23/405, 407, 409, 410, 415-422, 499,
D23/403; D7/403, 404, 407; D13/100;
44/530, 550; 126/39 E, 144, 148, 242,
126/243, 258, 500, 540
See application file for complete search history.

Primary Examiner — Karen S Acker
(74) *Attorney, Agent, or Firm* — Fredrikson & Byron, P.A.

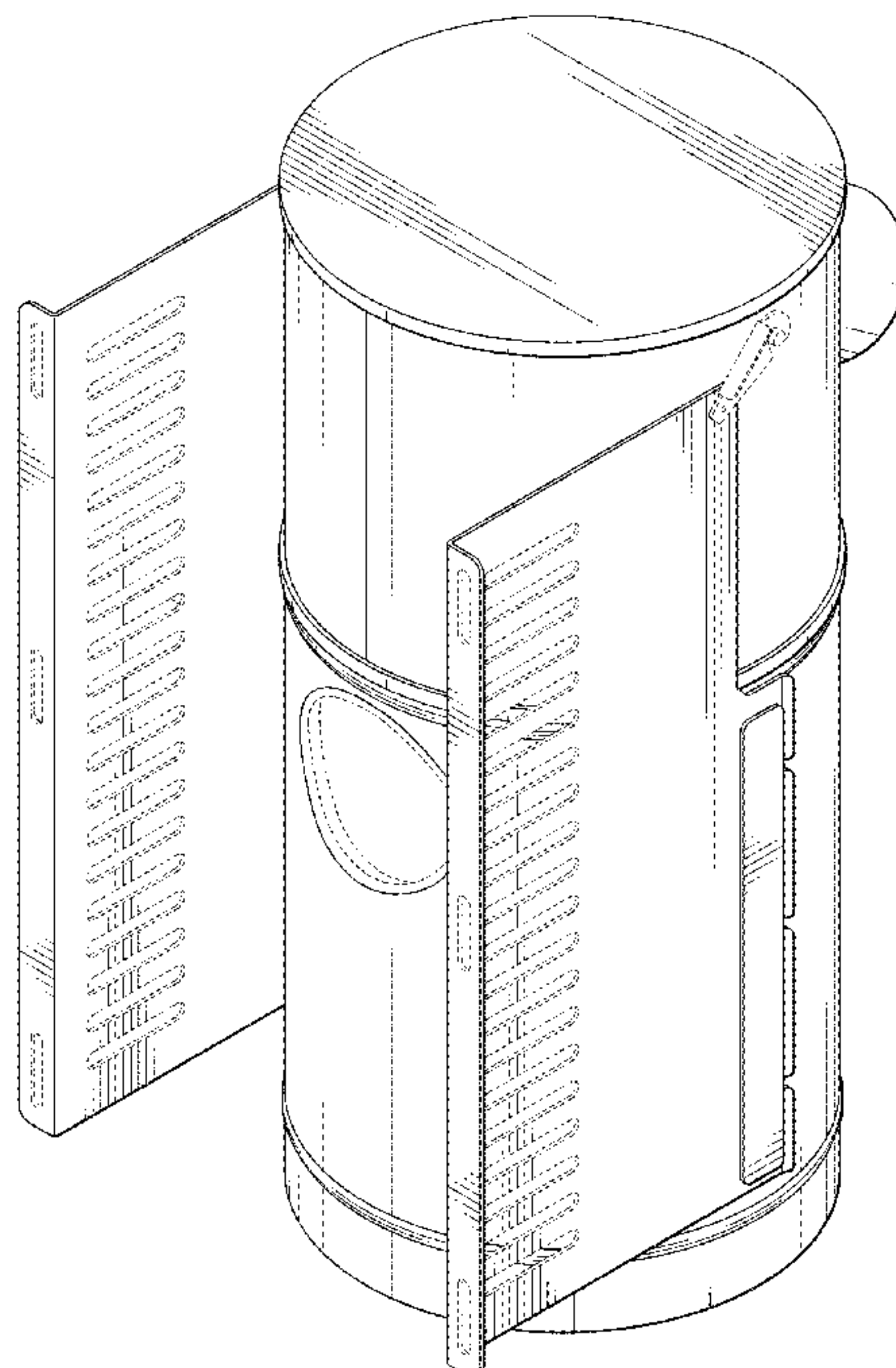
(57) **CLAIM**
I claim the ornamental design for an ash collector for a stove, as shown and described.

DESCRIPTION

FIG. 1 is an upper rear perspective view of the ash collector for a stove of our design;
FIG. 2 is a left-side elevation view thereof;
FIG. 3 is a right-side elevation view thereof;
FIG. 4 is a rear elevational view thereof;
FIG. 5 is a front elevational view thereof;
FIG. 6 is a top plan view thereof; and,
FIG. 7 is a bottom plan view thereof.
The broken lines in the drawings represent unclaimed environmental subject matter and form no part of the claimed design.

- (56) **References Cited**
U.S. PATENT DOCUMENTS
22,416 A * 12/1858 Edwards 126/67
33,058 A * 8/1861 Walker 126/242
217,197 A * 7/1879 Butz 126/242
277,718 A * 5/1883 Hart 126/242

1 Claim, 6 Drawing Sheets



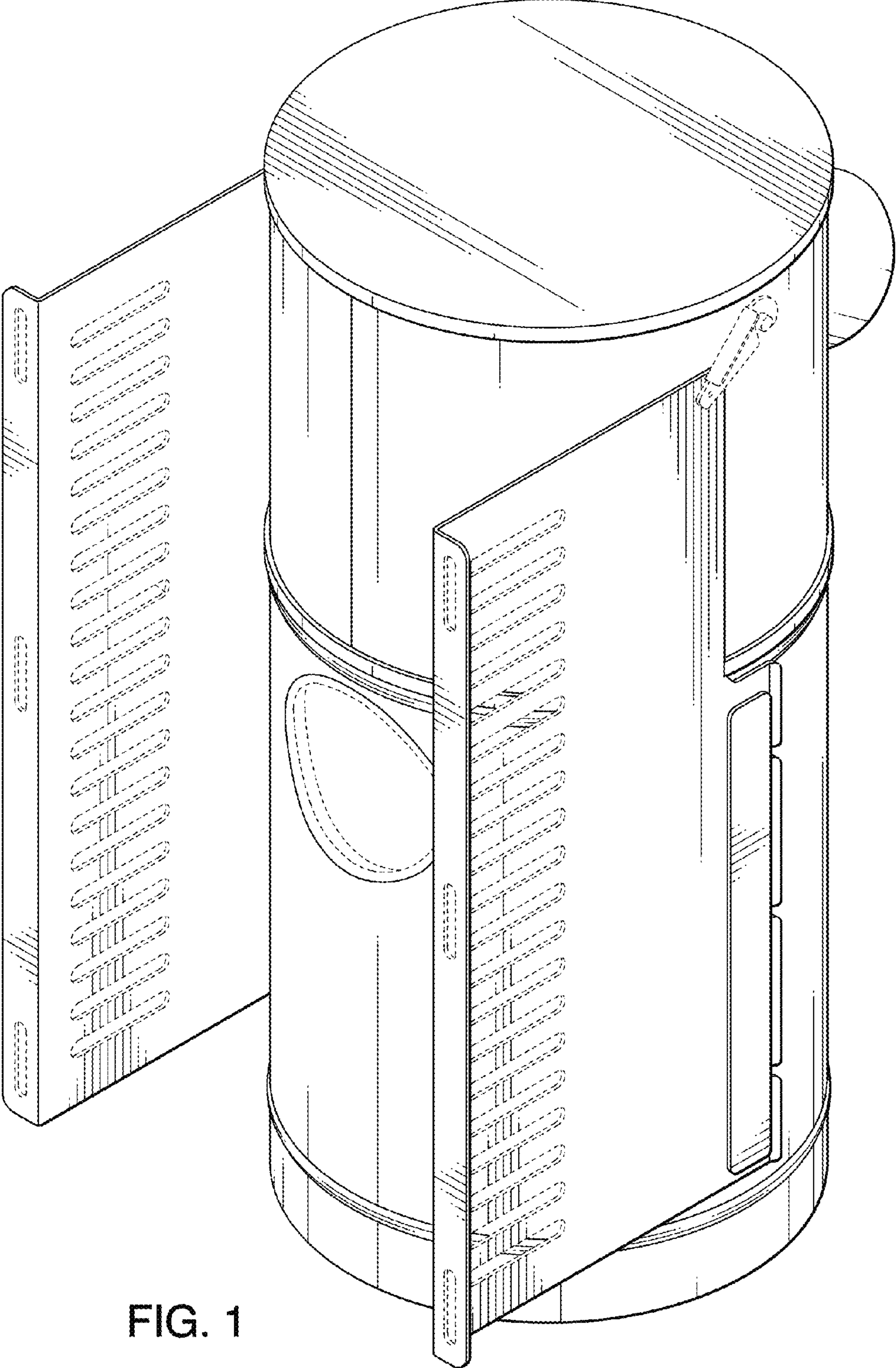


FIG. 1

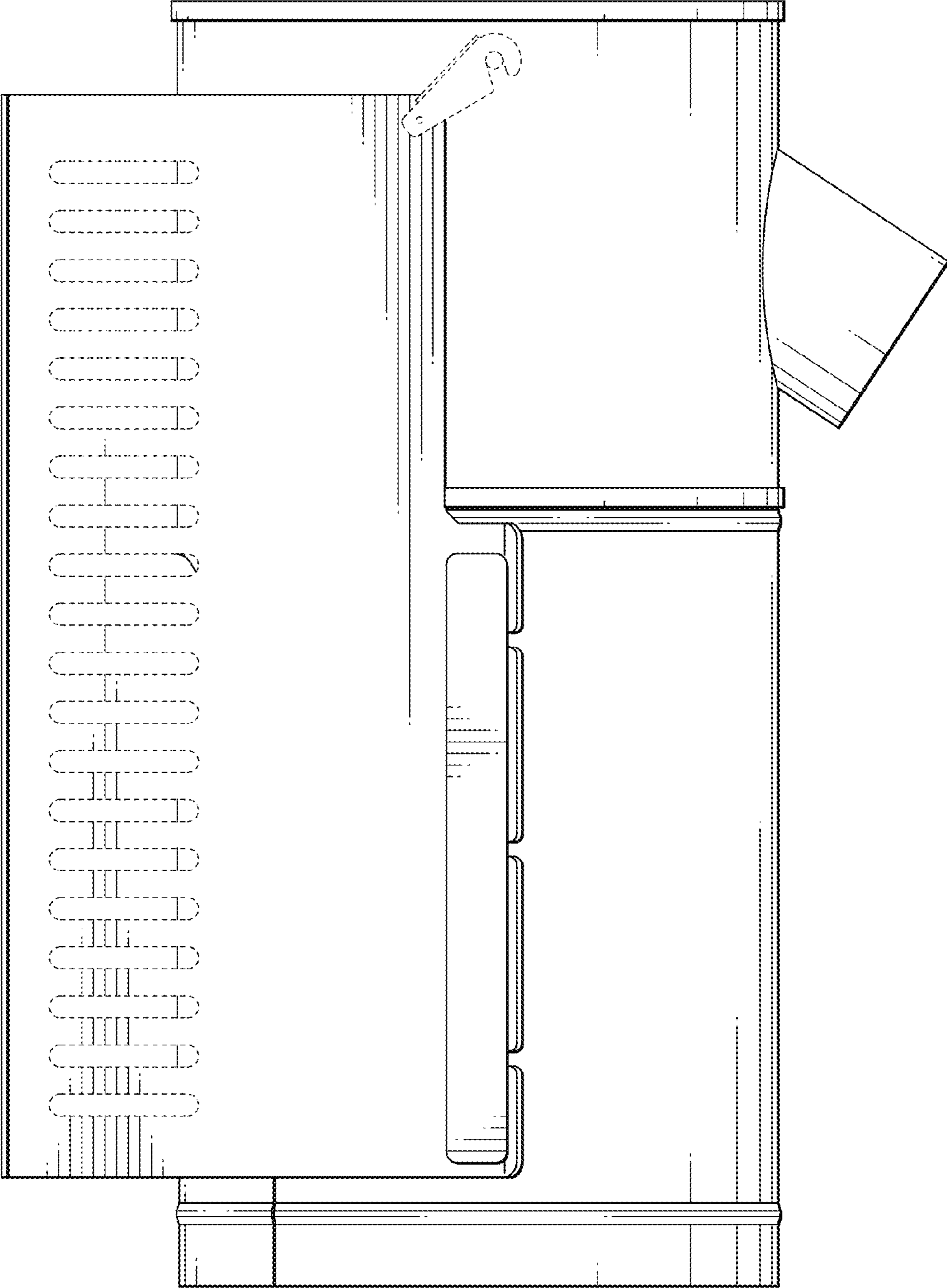


FIG. 2

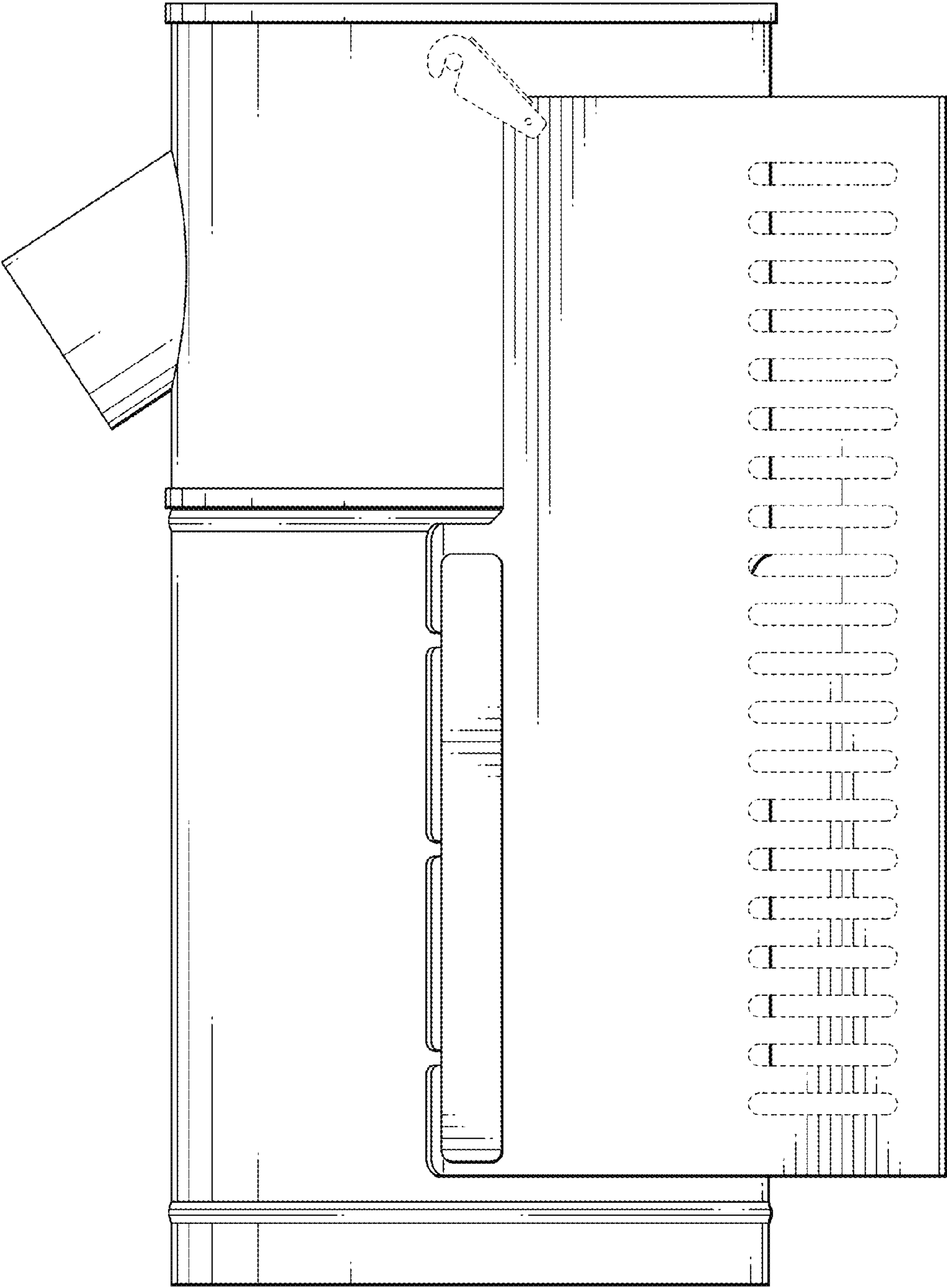


FIG. 3

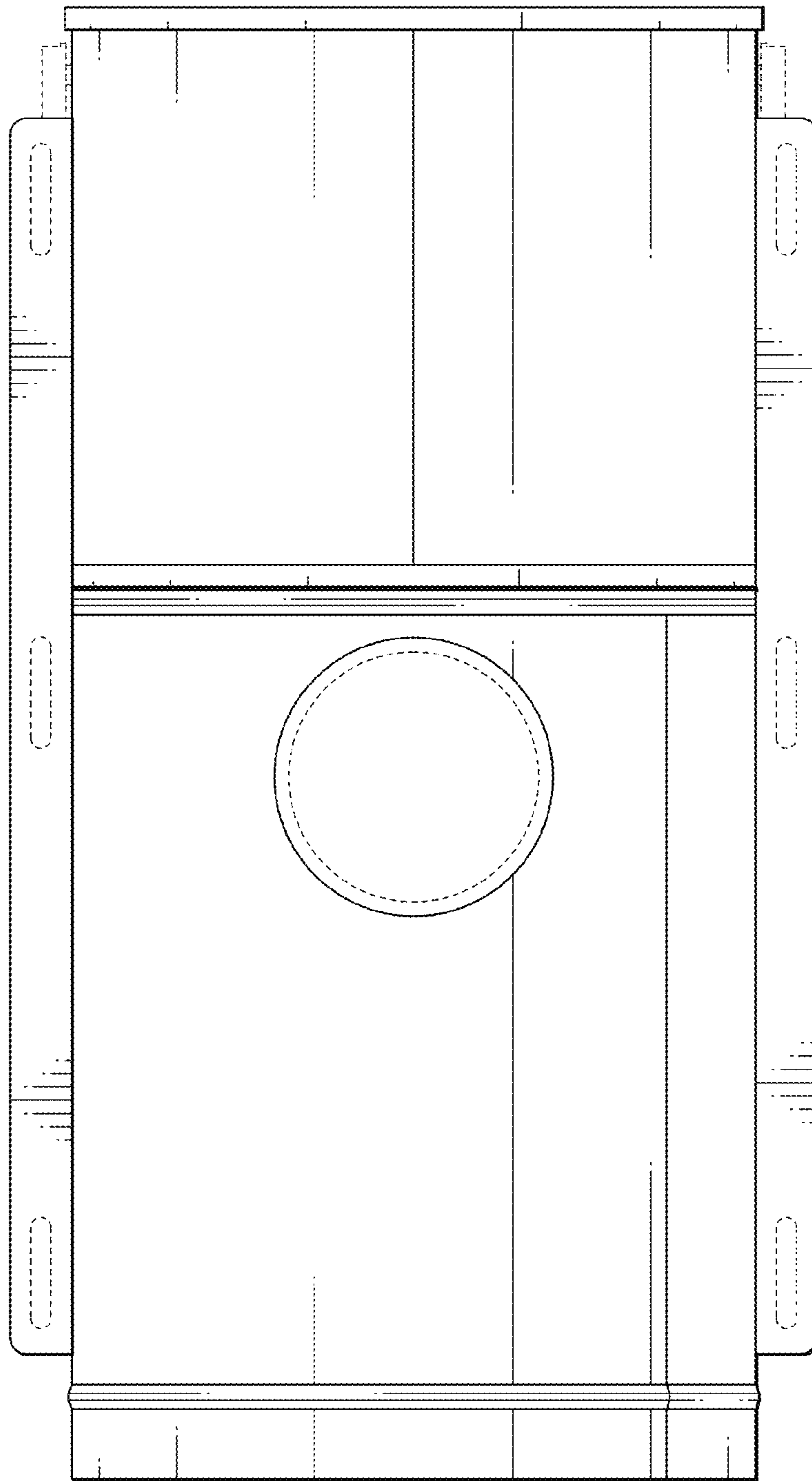


FIG. 4

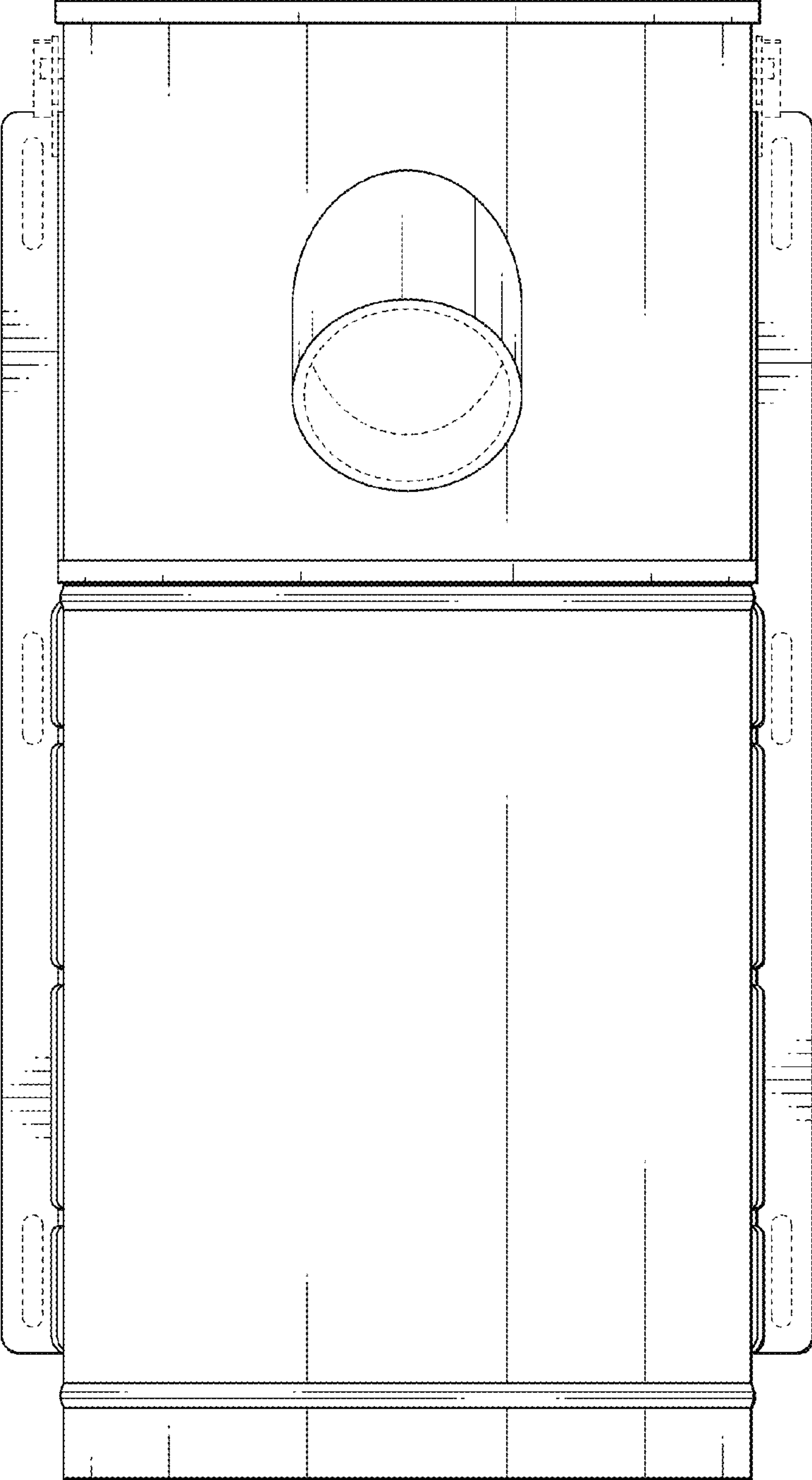


FIG. 5

