



US00D709175S

(12) **United States Design Patent**  
**Allen et al.**

(10) **Patent No.:** **US D709,175 S**  
(45) **Date of Patent:** **\*\* Jul. 15, 2014**

(54) **CEILING FAN HUB**  
(75) Inventors: **Philip Allen**, Wahroonga (AU); **David Stocks**, Bensville (AU); **Scott Ibbotson**, Pennant Hills (AU)  
(73) Assignee: **Hunter Pacific International Pty Ltd** (AU)  
(\*\*) Term: **14 Years**

D544,441 S 6/2007 Sichner et al.  
D544,836 S 6/2007 Sichner et al.  
D545,762 S 7/2007 Sichner et al.  
D571,736 S 6/2008 Copeland et al.  
D593,962 S 6/2009 Ross et al.  
D611,136 S \* 3/2010 Orozco ..... D23/377  
D625,252 S 10/2010 Nguyen et al.  
7,969,744 B2 6/2011 Mathes et al.  
8,107,243 B2 1/2012 Guccione et al.  
D660,806 S 5/2012 Wong  
D660,953 S \* 5/2012 Allen et al. .... D23/377

(Continued)

(21) Appl. No.: **29/424,193**

**OTHER PUBLICATIONS**

(22) Filed: **Jun. 8, 2012**

U.S. Appl. No. 29/424,183, filed Jun. 8, 2012, Allen et al.  
U.S. Appl. No. 29/424,184, filed Jun. 8, 2012, Allen et al.  
U.S. Appl. No. 29/424,185, filed Jun. 8, 2012, Allen et al.  
U.S. Appl. No. 29/424,186, filed Jun. 8, 2012, Allen et al.

(Continued)

(30) **Foreign Application Priority Data**

Dec. 9, 2011 (AU) ..... 15618/2011

(51) **LOC (10) Cl.** ..... **23-04**

(52) **U.S. Cl.**  
USPC ..... **D23/385**

(58) **Field of Classification Search**  
USPC ..... D23/385, 377, 379; D26/24-156;  
416/5; 392/364, 361, 362; 362/96, 294;  
417/423.14  
See application file for complete search history.

*Primary Examiner* — Eric Goodman  
*Assistant Examiner* — Ryan Harvey  
(74) *Attorney, Agent, or Firm* — Sheridan Ross PC

(57) **CLAIM**  
The ornamental design for a ceiling fan hub, as shown and described.

**DESCRIPTION**

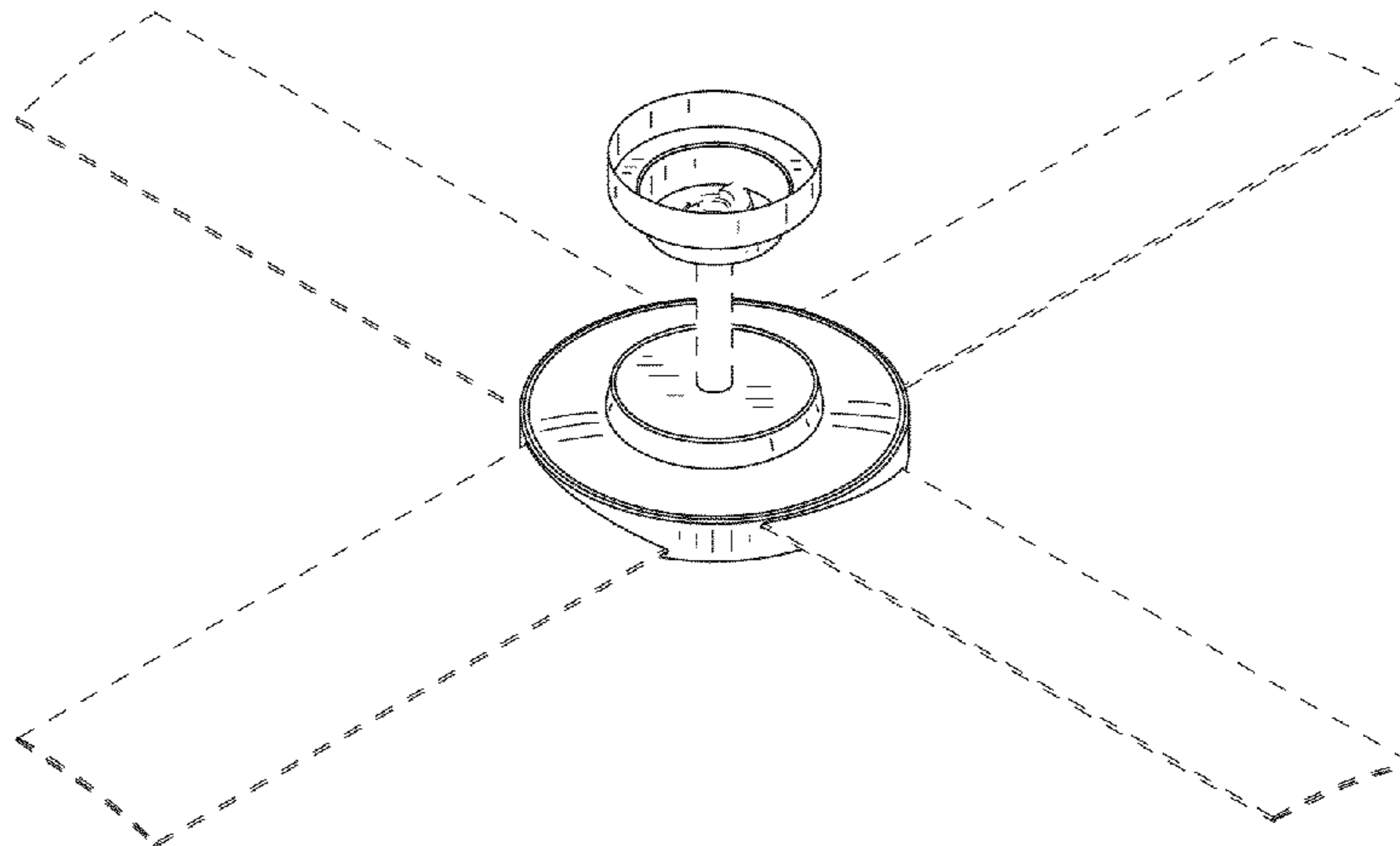
(56) **References Cited**

**U.S. PATENT DOCUMENTS**

D312,687 S \* 12/1990 Mason et al. .... D23/377  
D328,639 S \* 8/1992 Hsieh ..... D23/377  
D328,785 S \* 8/1992 Markwardt ..... D23/377  
D329,087 S \* 9/1992 Markwardt ..... D23/377  
D342,311 S \* 12/1993 Rezek ..... D23/377  
D358,365 S 5/1995 Rodeffer et al.  
D361,377 S \* 8/1995 Tsuji ..... D23/377  
D385,026 S \* 10/1997 Liu ..... D23/377  
D386,257 S \* 11/1997 Liu ..... D23/377  
D420,733 S \* 2/2000 Chen ..... D23/377  
D453,216 S \* 1/2002 Gajewski ..... D23/377  
D478,974 S \* 8/2003 Hidalgo ..... D23/377  
7,050,306 B1 5/2006 Ribeiro et al.

FIG. 1 is a top perspective view of the ceiling fan hub;  
FIG. 2 is a bottom perspective view thereof;  
FIG. 3 is a front elevation view thereof;  
FIG. 4 is another front elevation view thereof without the broken lines;  
FIG. 5 is a rear elevation view thereof;  
FIG. 6 is a top plan view thereof;  
FIG. 7 is a bottom plan view thereof;  
FIG. 8 is a left side view thereof; and,  
FIG. 9 is a right side view thereof.  
The broken lines in the Figures are included for the purpose of illustrating environment and form no part of the claimed design.

**1 Claim, 9 Drawing Sheets**



(56)

**References Cited**

U.S. PATENT DOCUMENTS

D679,795	S	*	4/2013	Allen et al.	.....	D23/377
2009/0034165	A1		2/2009	Tyler et al.		
2009/0141458	A1		6/2009	Liu et al.		
2011/0103025	A1		5/2011	Ross et al.		
2012/0162929	A1		6/2012	Huang		
2012/0307459	A1		12/2012	Sakuma et al.		

OTHER PUBLICATIONS

U.S. Appl. No. 29/424,188, filed Jun. 8, 2012, Allen et al.  
U.S. Appl. No. 29/424,189, filed Jun. 8, 2012, Allen et al.  
U.S. Appl. No. 29/424,191, filed Jun. 8, 2012, Allen et al.  
U.S. Appl. No. 29/424,194, filed Jun. 8, 2012, Allen et al.  
Notice of Allowance for U.S. Appl. No. 29/424,184, mailed Aug. 7,  
2013, 8 pages.

\* cited by examiner

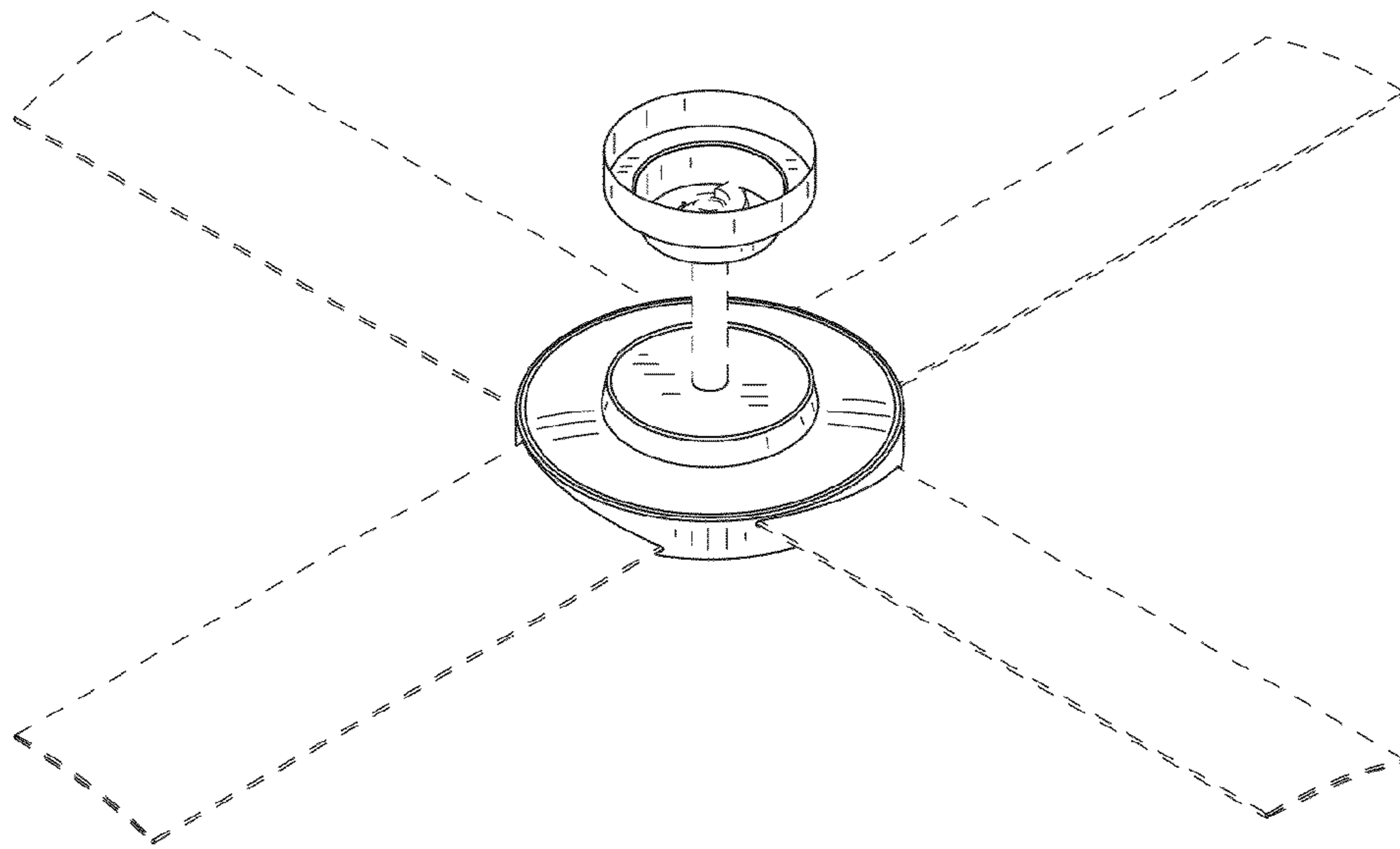


FIG. 1

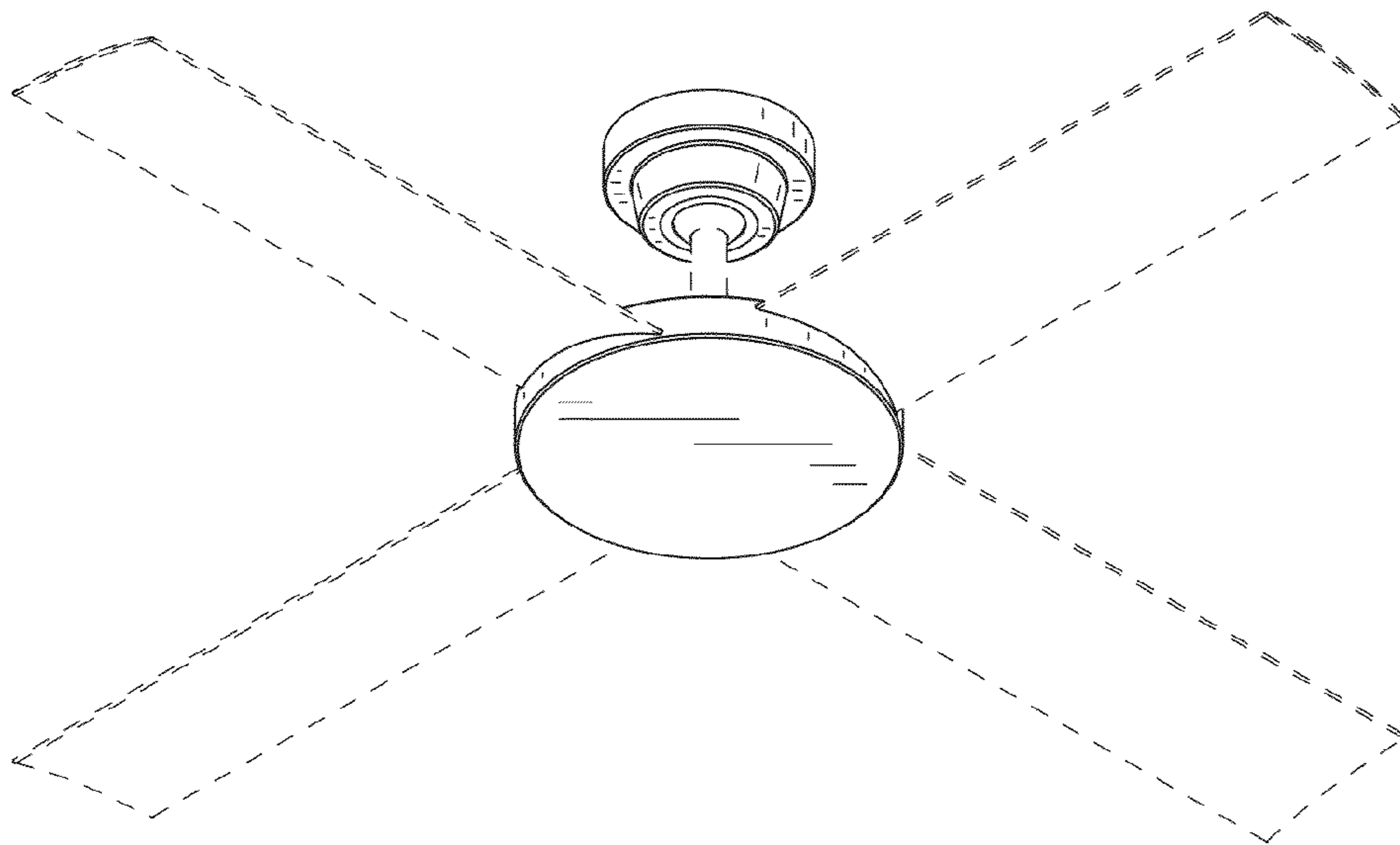


FIG. 2

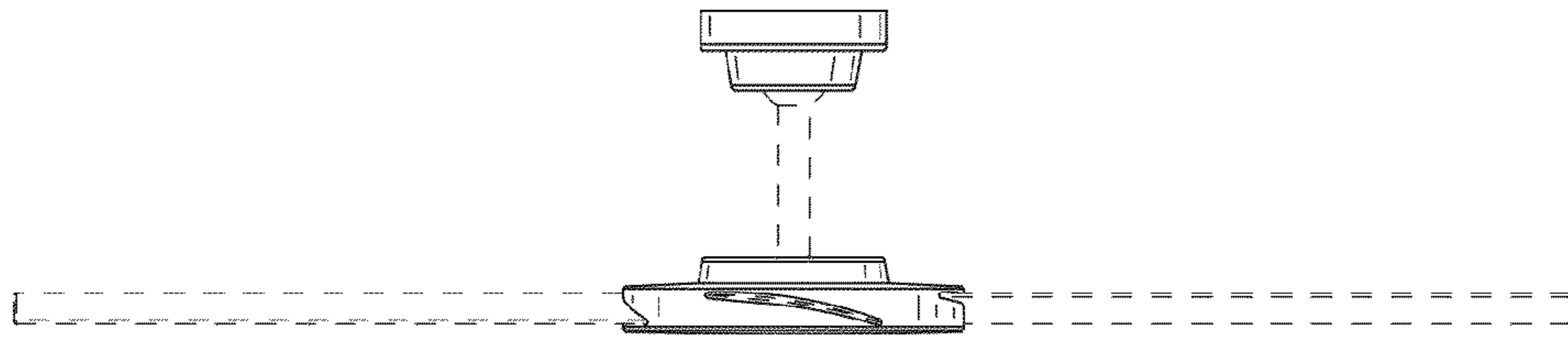


FIG. 3

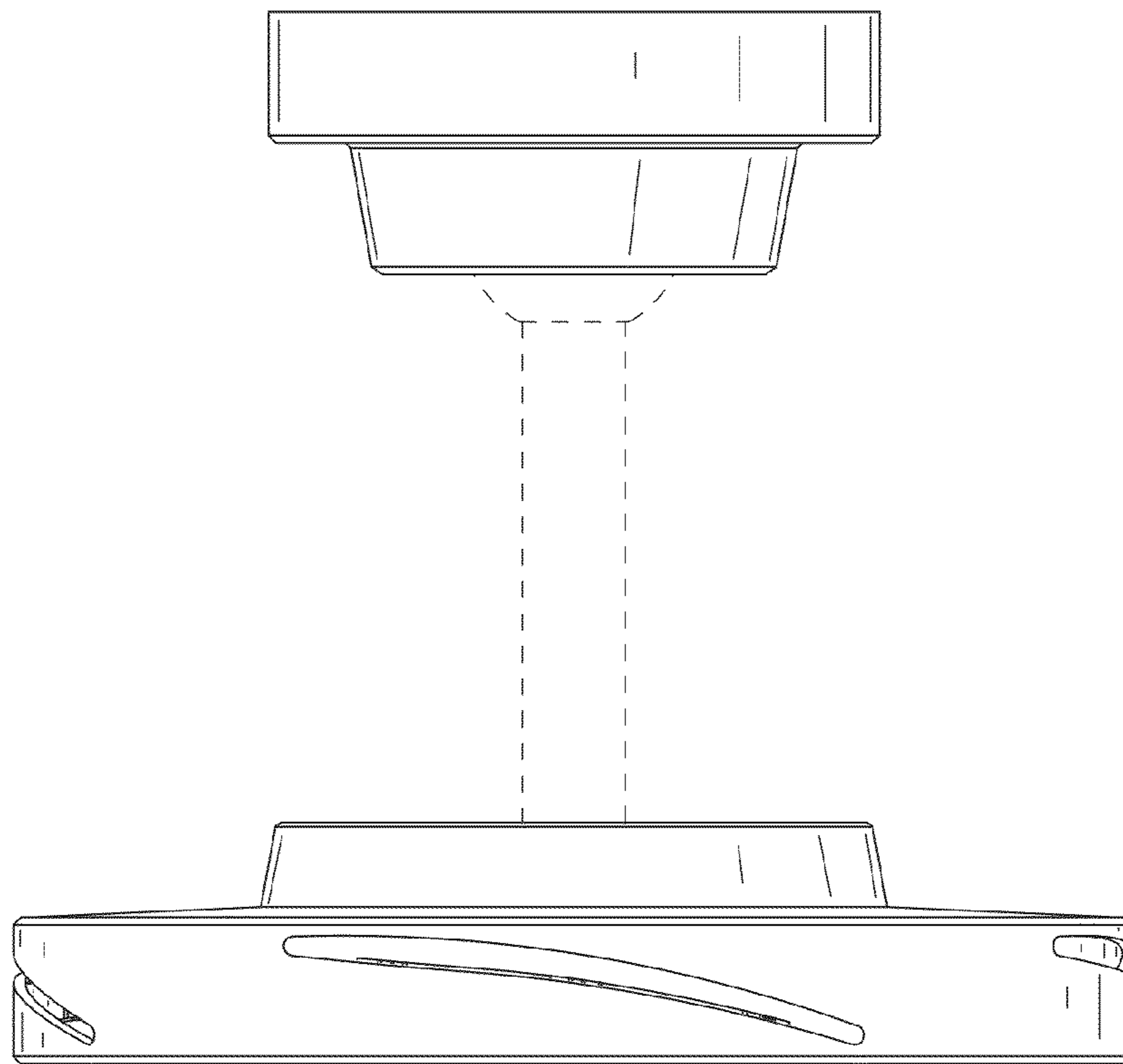


FIG. 4

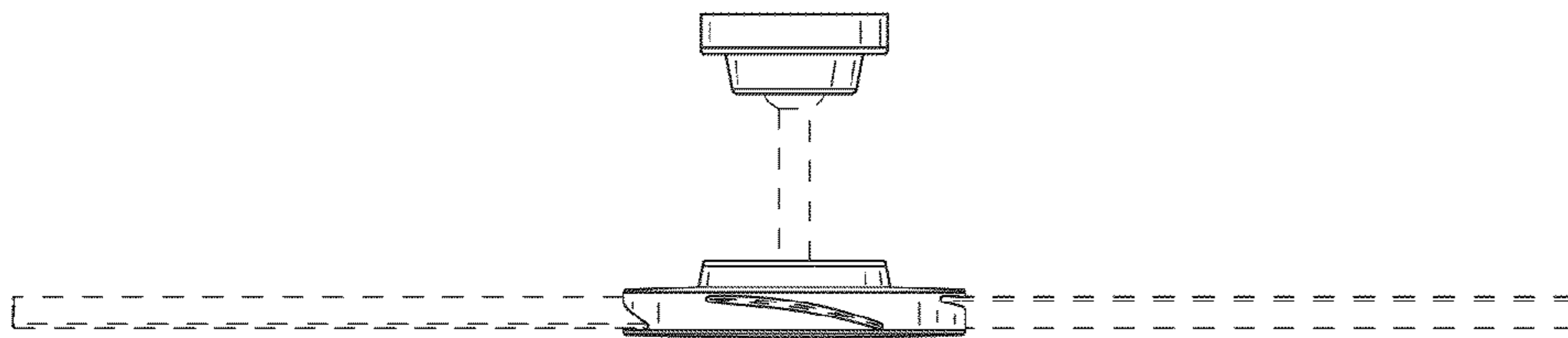


FIG. 5

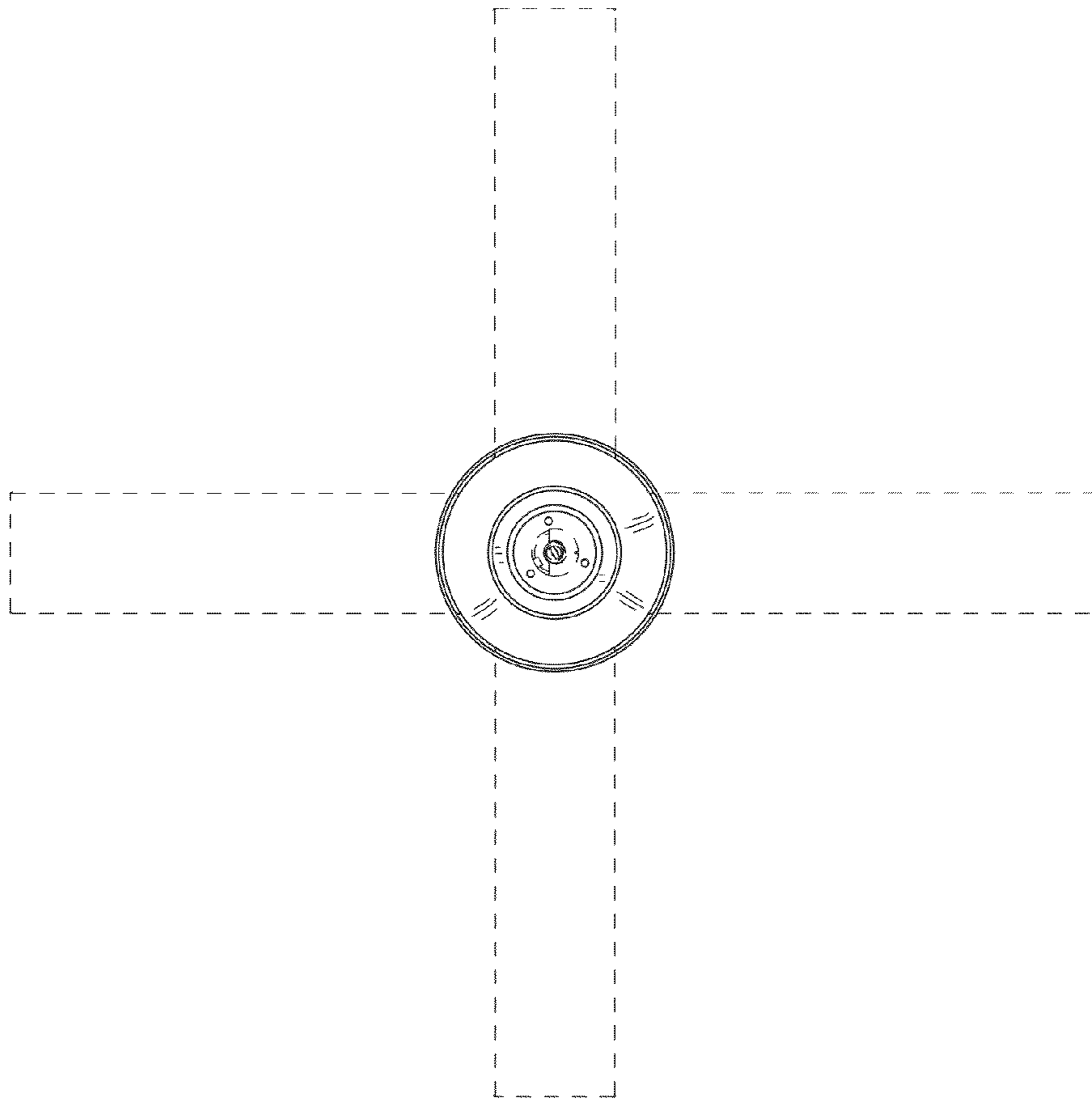


FIG. 6



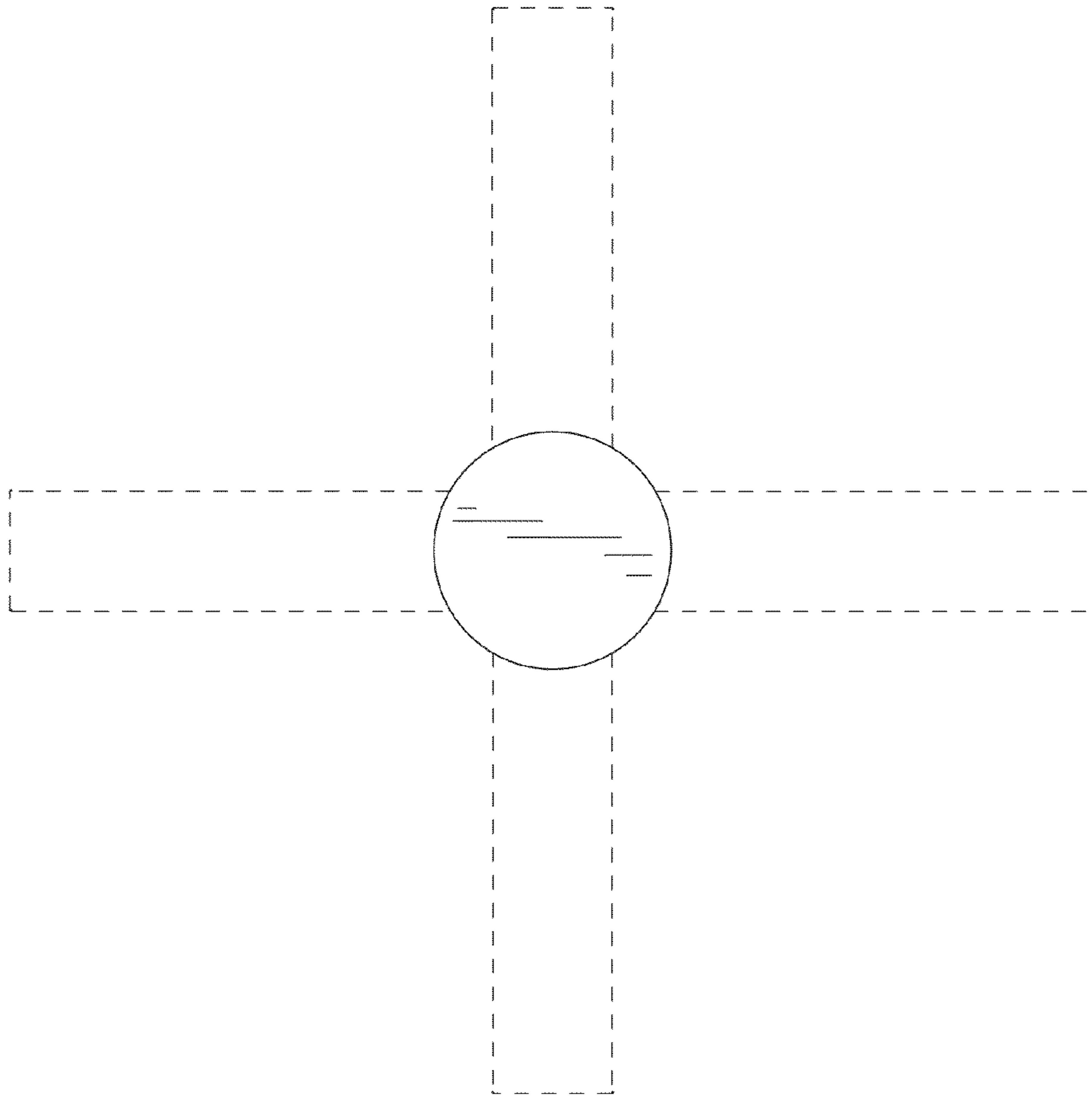


FIG. 7

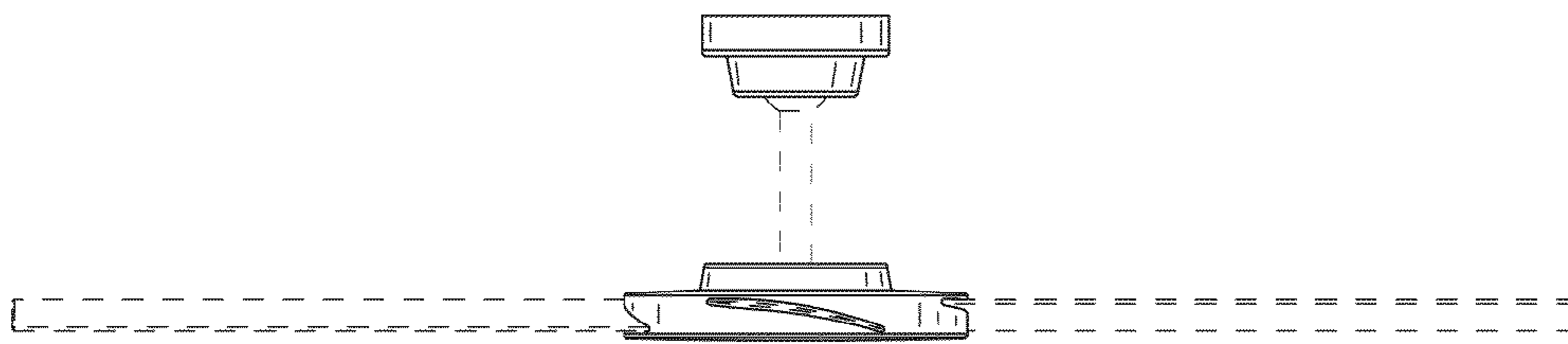


FIG. 8

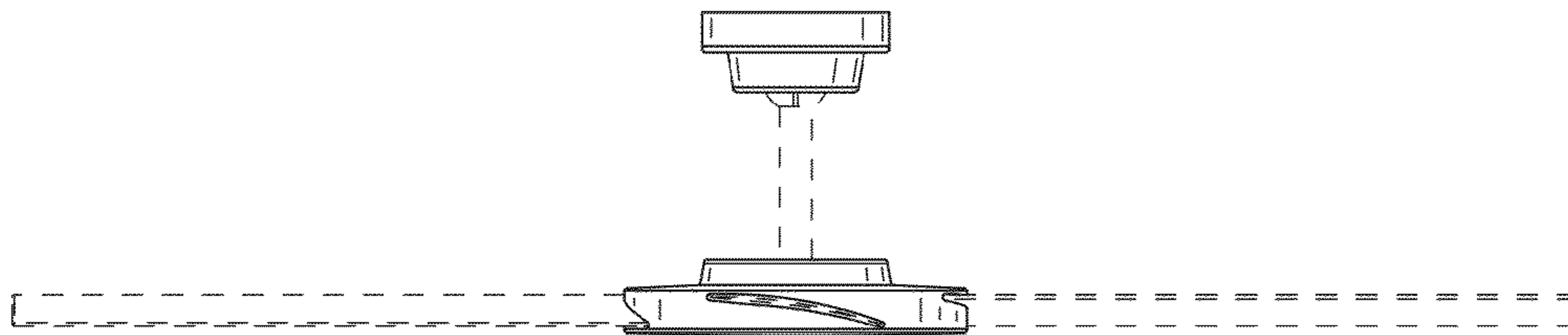


FIG. 9