



US00D709174S

(12) **United States Design Patent**
Rodriguez, Jr.

(10) **Patent No.:** **US D709,174 S**

(45) **Date of Patent:** **** *Jul. 15, 2014**

(54) **ROOF JACK**

(71) Applicant: **Ventura S. Rodriguez, Jr.**, San Antonio, TX (US)

(72) Inventor: **Ventura S. Rodriguez, Jr.**, San Antonio, TX (US)

(73) Assignee: **Dot Metal Products**

(*) Notice: This patent is subject to a terminal disclaimer.

(**) Term: **14 Years**

(21) Appl. No.: **29/464,219**

(22) Filed: **Aug. 14, 2013**

Related U.S. Application Data

(63) Continuation of application No. 13/949,912, filed on Jul. 24, 2013, now Pat. No. 8,615,943, and a continuation of application No. 13/343,994, filed on Jan. 5, 2012, now Pat. No. 8,534,013.

(51) **LOC (10) Cl.** **23-04**

(52) **U.S. Cl.**
USPC **D23/373**

(58) **Field of Classification Search**
USPC D23/370-385, 411-414, 365, 364, 328, D23/314, 386-394, 259; 415/60, 66, 68, 415/208.1, 213.1, 214.1; 310/257; 361/695; 126/299 D, 299 R; D26/51, 59, 72, 73; D32/15, 16; 416/189; D13/179; 454/3-6, 12-15, 37, 38, 358-368; D25/199; 285/13, 43, 44; 52/58, 219

See application file for complete search history.

(56) **References Cited**

U.S. PATENT DOCUMENTS

898,790	A *	9/1908	Schupinsky	454/38
D111,516	S *	9/1938	Kreutzer	D23/373
2,614,867	A *	10/1952	Artis, Jr.	285/44
3,520,093	A *	7/1970	Painter	52/200
D257,282	S *	10/1980	Roberts	D23/373
D257,283	S *	10/1980	Roberts	D23/373
4,436,021	A *	3/1984	Hisey	454/12
4,534,280	A *	8/1985	Hisey	454/14
4,535,686	A *	8/1985	Hisey	454/14
4,549,473	A *	10/1985	Alexander et al.	454/14
4,697,500	A *	10/1987	Hisey	454/35
D299,529	S *	1/1989	Best	D23/373
D308,572	S *	6/1990	Tietz	D23/374
6,932,690	B2 *	8/2005	Ramsay	454/66
D592,298	S *	5/2009	Arnold, Jr.	D23/374
8,534,013	B2 *	9/2013	Rodriguez, Jr.	52/219
8,615,943	B2 *	12/2013	Rodriguez, Jr.	52/219

* cited by examiner

Primary Examiner — Susan Bennett Hattan

Assistant Examiner — Janice Hallmark

(74) *Attorney, Agent, or Firm* — Jennifer Meredith, Esq.; Lippes Mathias Wexler Friedman LLP

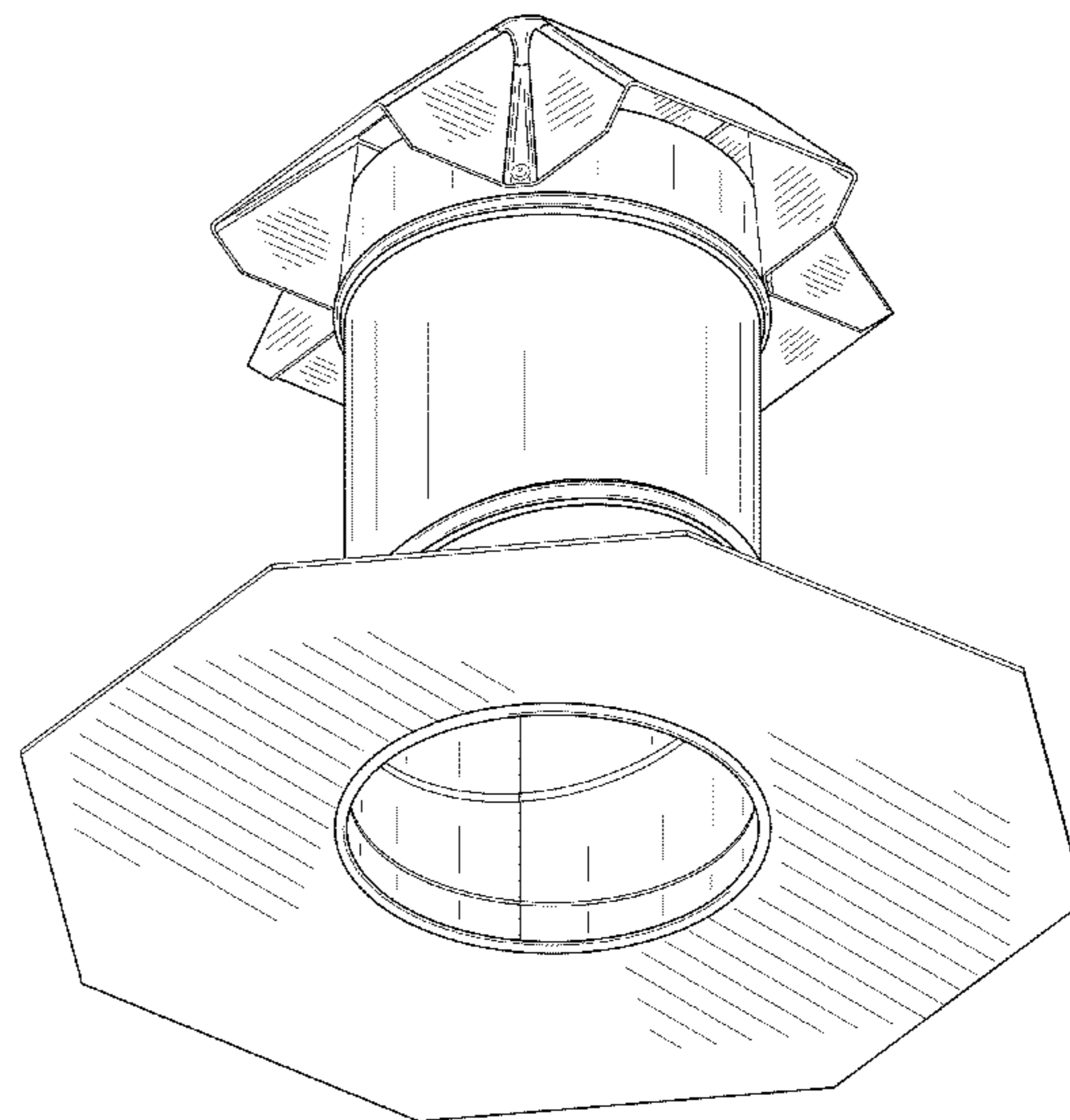
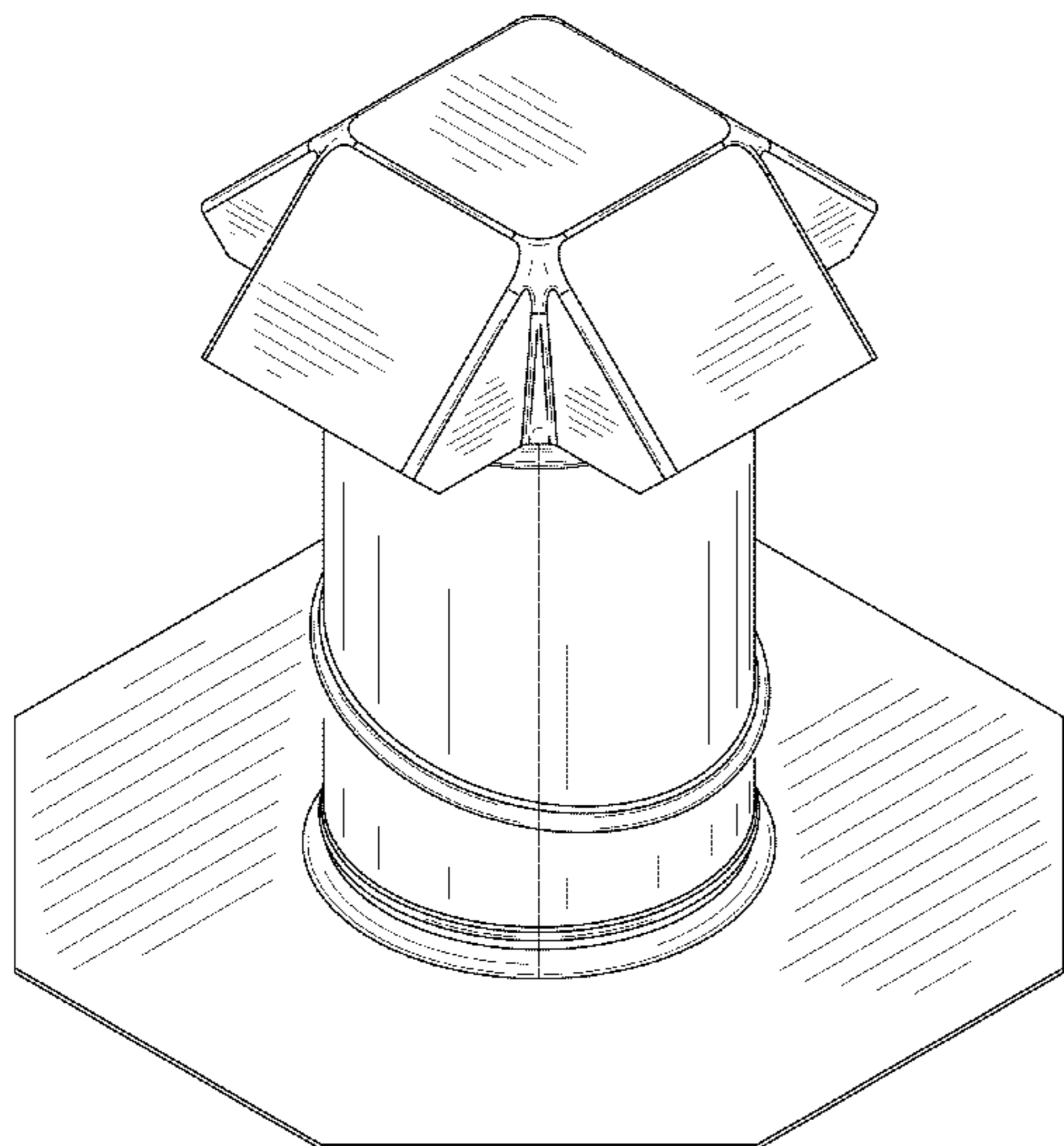
(57) **CLAIM**

I claim the ornamental design for a roof jack, as shown and described.

DESCRIPTION

FIG. 1 is a front perspective view of the roof jack; FIG. 2 is a bottom perspective view of the roof jack; FIG. 3 is a top view of the roof jack; FIG. 4 is a bottom view of the roof jack; FIG. 5 is a front side view of the roof jack; FIG. 6 is a back side view of the roof jack; FIG. 7 is a right side view of the roof jack; FIG. 8 is a left side view of the roof jack; and, FIG. 9 is a bottom perspective view of the roof jack.

1 Claim, 9 Drawing Sheets



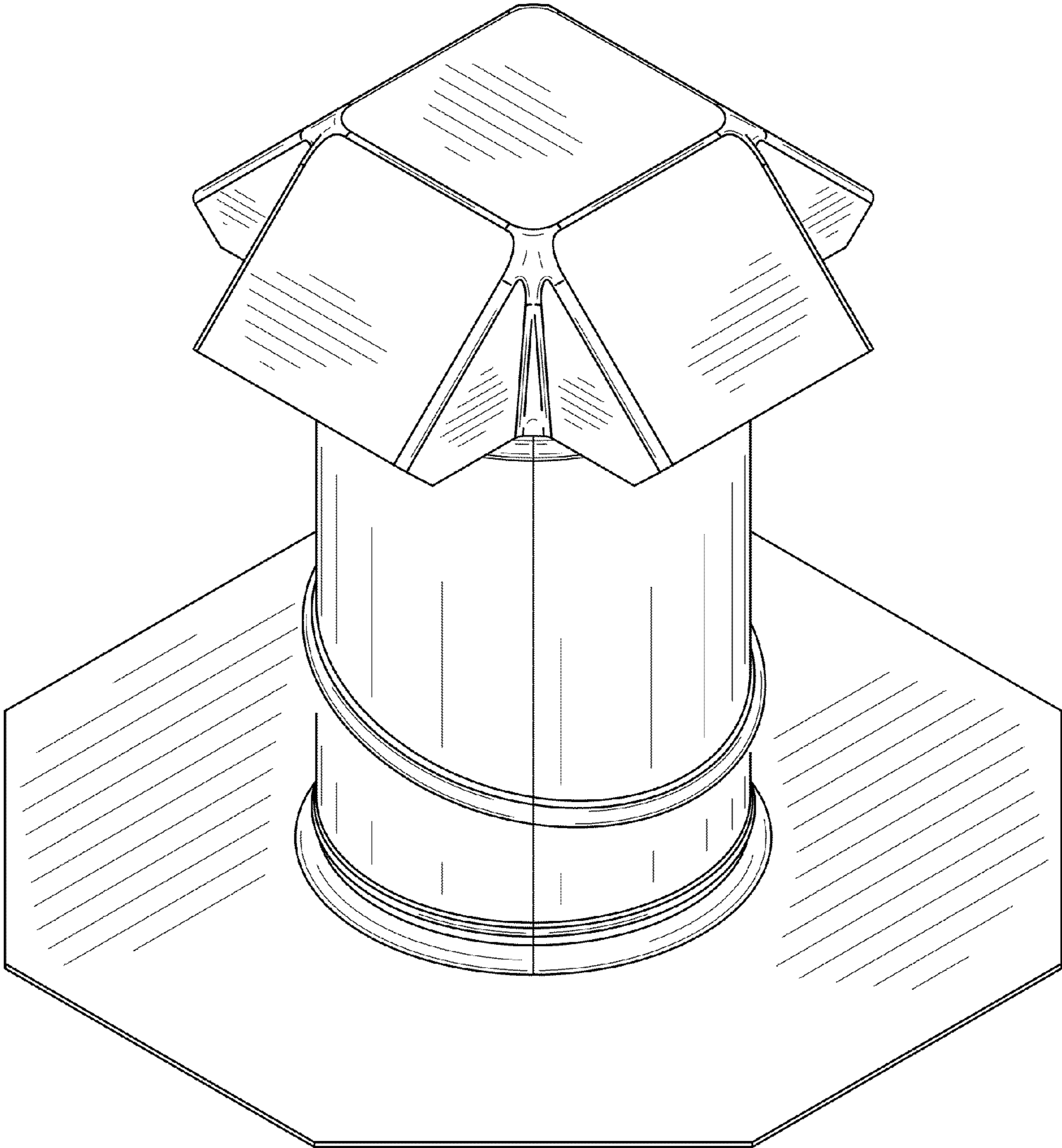


FIG. 1

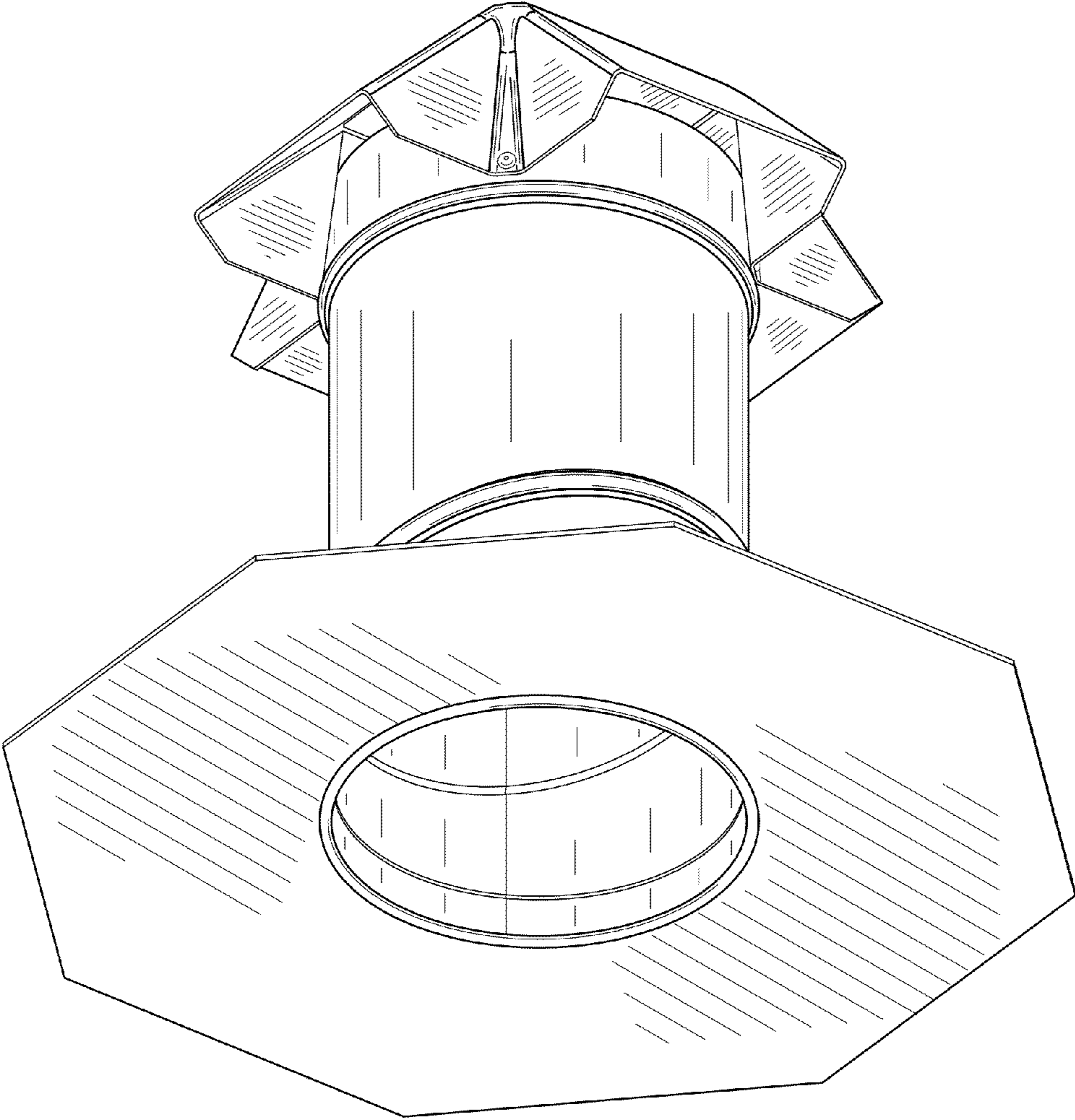


FIG. 2

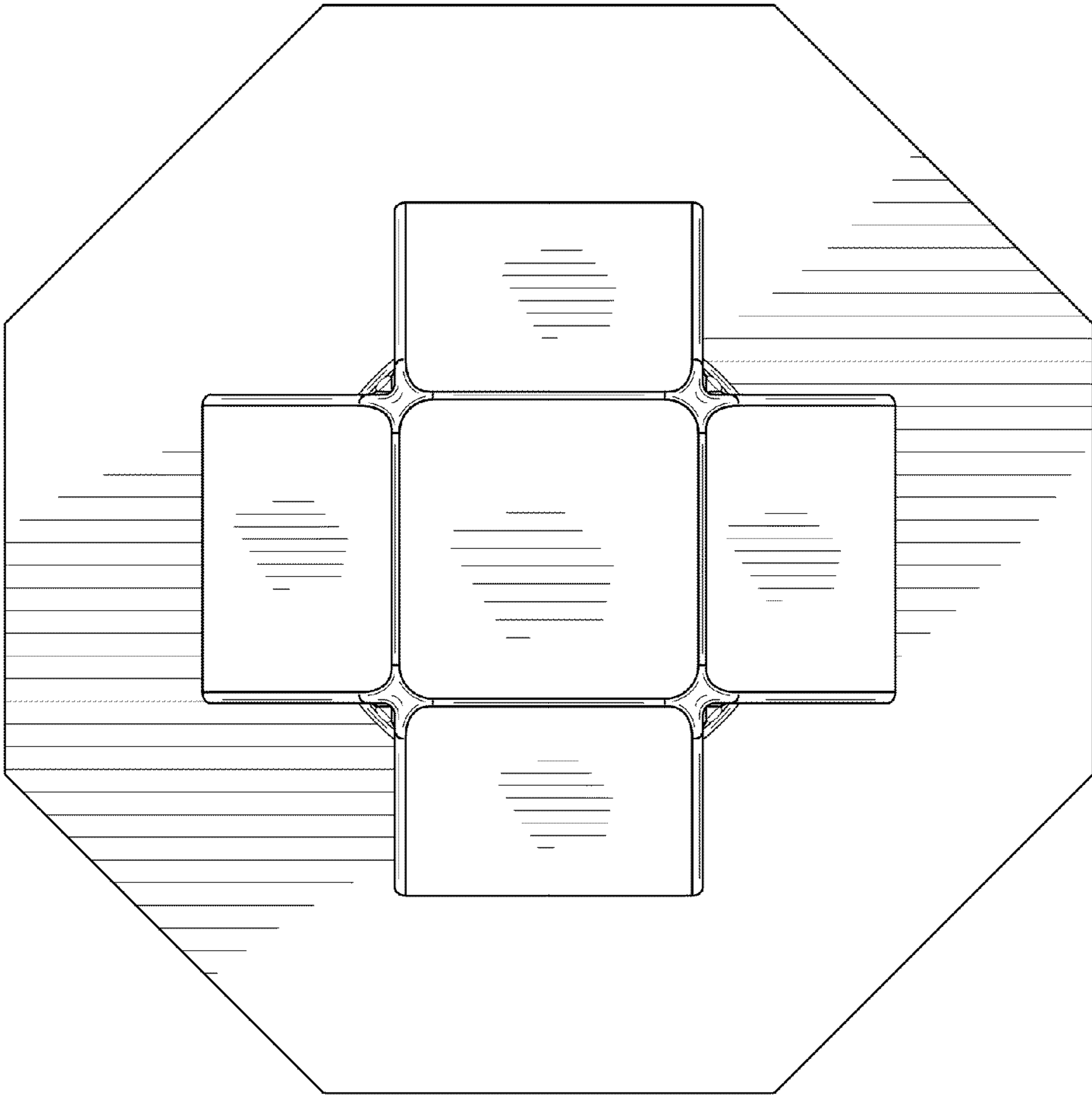


FIG. 3

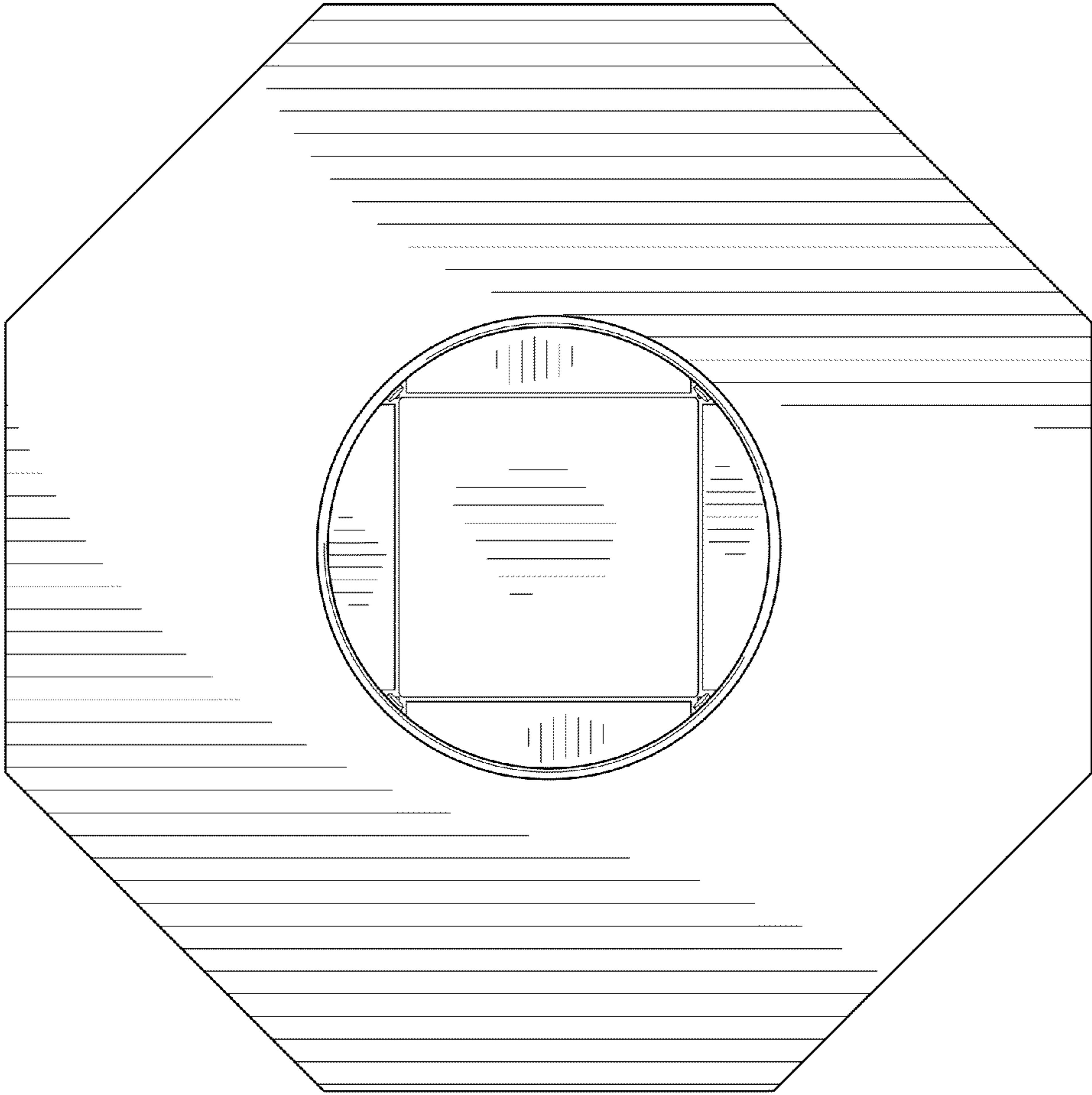


FIG. 4

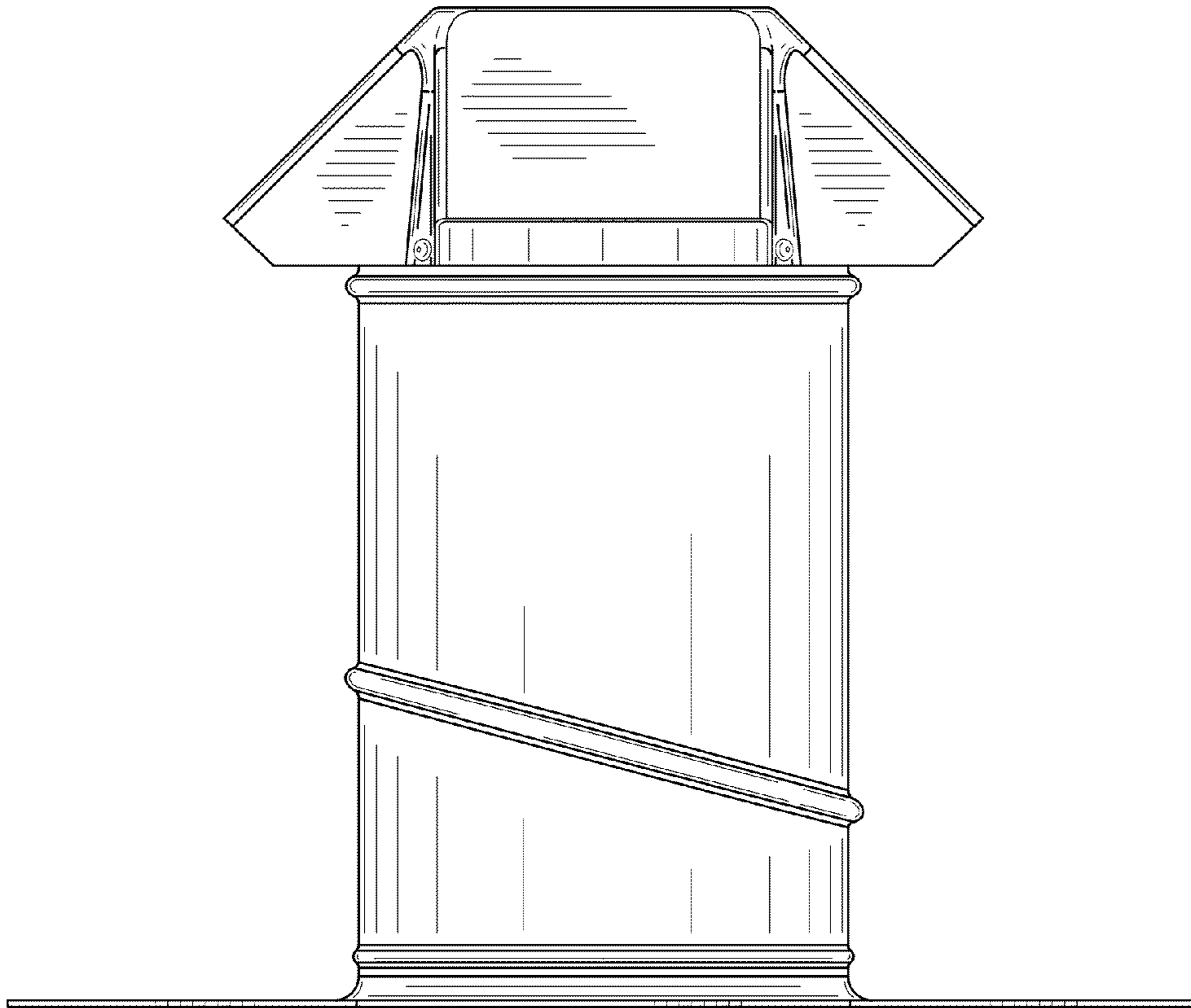


FIG. 5

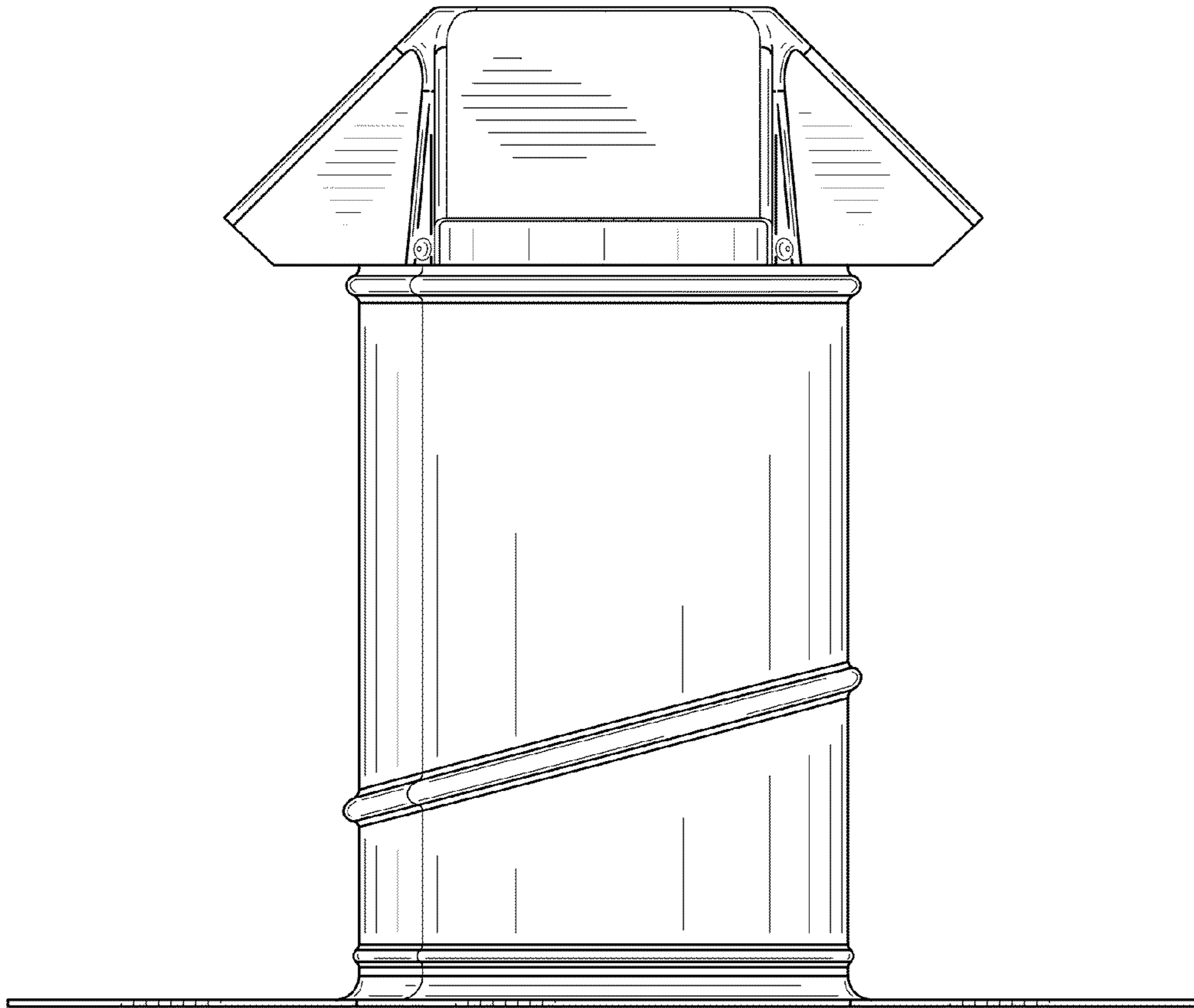


FIG. 6

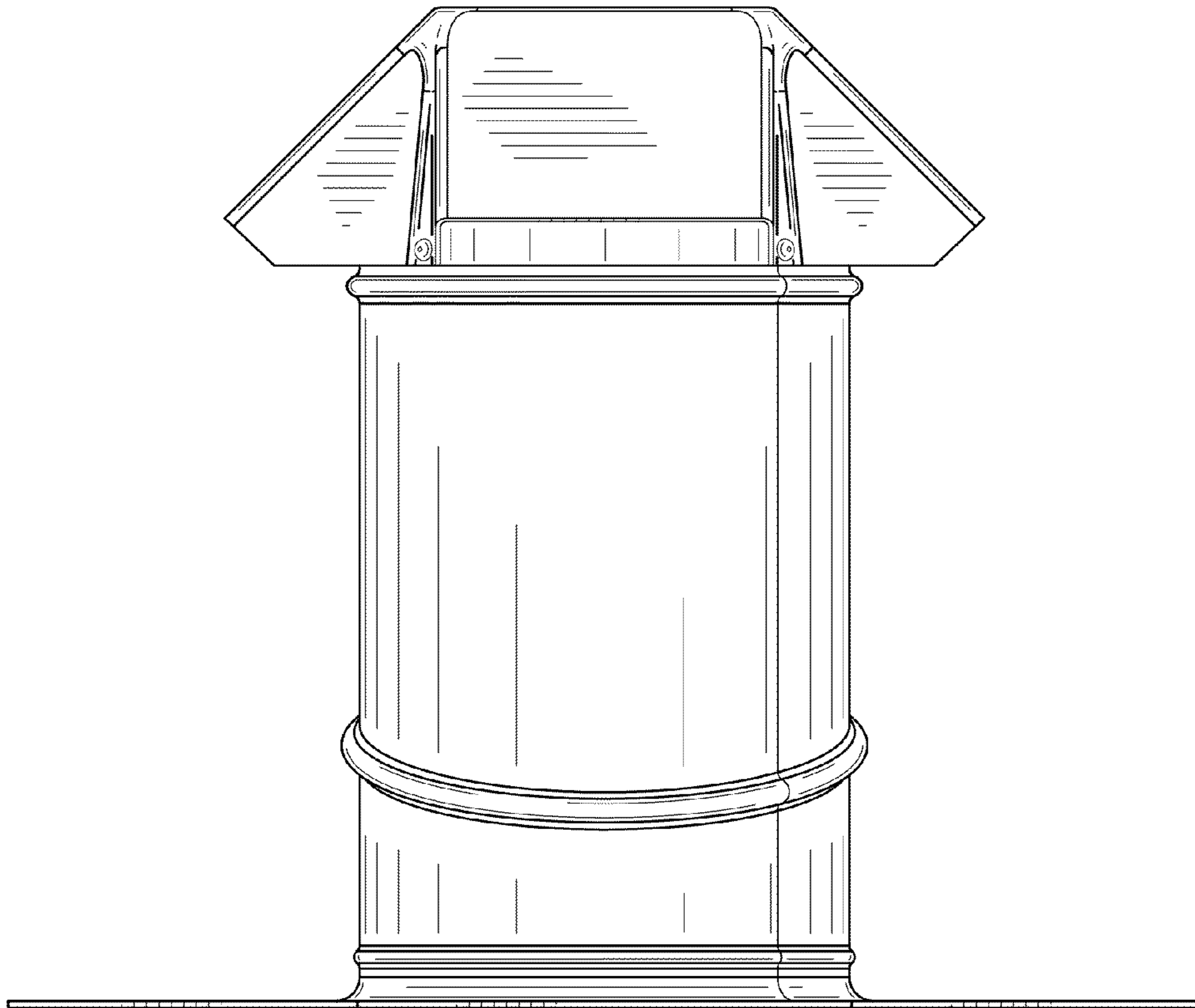


FIG. 7

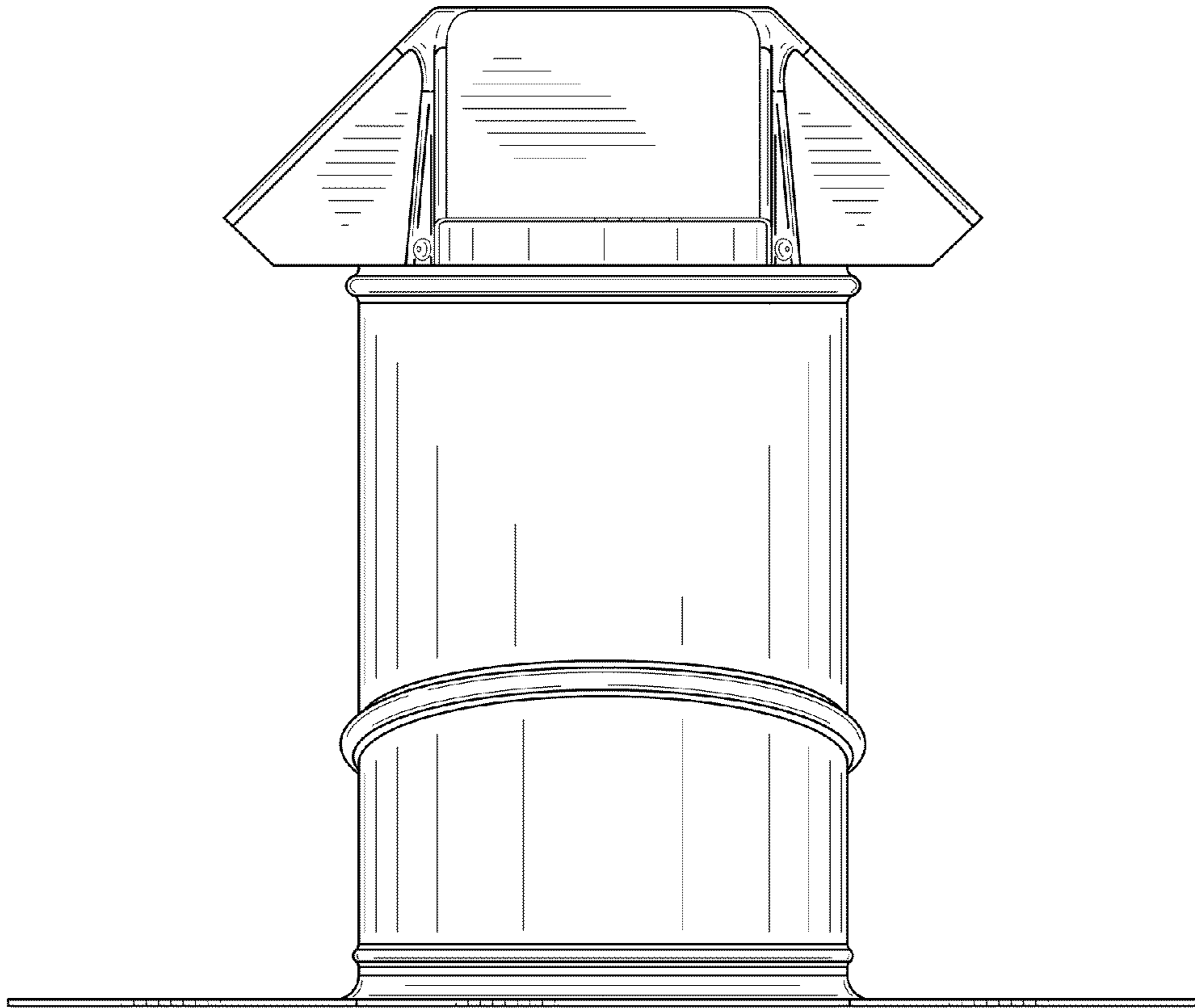


FIG. 8

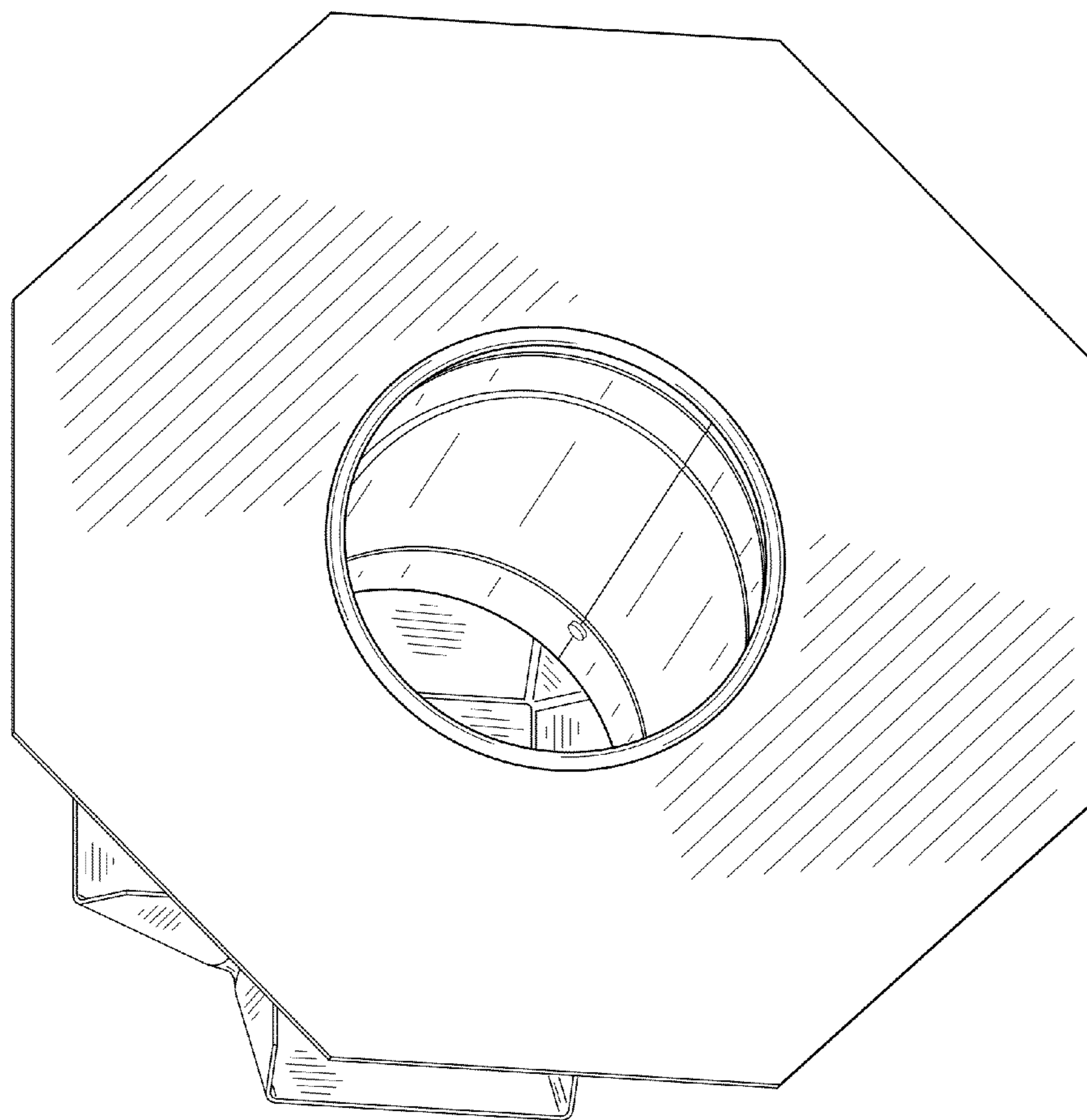


FIG. 9