



US00D709172S

(12) **United States Design Patent**
Brandenburg et al.

(10) **Patent No.:** **US D709,172 S**
(45) **Date of Patent:** **** Jul. 15, 2014**

- (54) **AIR FRESHENER**
- (71) Applicant: **Hayloft Enterprises, Inc.**, Wilmington, DE (US)
- (72) Inventors: **Kyle Brandenburg**, Middletown, DE (US); **Frank M. Lesiak**, Media, PA (US)
- (73) Assignee: **Hayloft Enterprises Inc.**, Wilmington, DE (US)
- (**) Term: **14 Years**
- (21) Appl. No.: **29/469,773**
- (22) Filed: **Oct. 15, 2013**

D544,594 S	6/2007	Zobebe	
D613,388 S *	4/2010	Koenig et al.	D23/366
D618,329 S *	6/2010	Koenig et al.	D23/368
D621,021 S *	8/2010	Koenig et al.	D23/368
D628,284 S *	11/2010	Ko et al.	D23/366
D629,500 S *	12/2010	Koenig et al.	D23/368
D629,881 S *	12/2010	Valentino et al.	D23/368
D631,954 S *	2/2011	Bertassi et al.	D23/366
D633,610 S *	3/2011	Wu	D23/366
D642,668 S *	8/2011	Lablaine	D23/366
D647,186 S *	10/2011	Chan et al.	D23/364
D664,246 S *	7/2012	Irvin et al.	D23/356
D694,382 S *	11/2013	Brandenburg et al.	D23/366
D696,762 S *	12/2013	Lin	D23/366
D698,018 S *	1/2014	Choi	D23/366

* cited by examiner

Primary Examiner — Sandra Snapp

(74) *Attorney, Agent, or Firm* — Panitch Schwarze Belisario & Nadel LLP

Related U.S. Application Data

- (62) Division of application No. 29/452,747, filed on Apr. 22, 2013, now Pat. No. Des. 694,382.
- (51) **LOC (10) Cl.** **28-99**
- (52) **U.S. Cl.**
USPC **D23/366**
- (58) **Field of Classification Search**
USPC D23/355–369; D28/5, 6; 261/DIG. 17, 261/DIG. 42, DIG. 65, DIG. 88, DIG. 89; 392/386, 390, 394, 395; 239/34, 44, 239/53, 55, 56, 326; D26/14, 17, 98, 9, 22, D26/24; D11/131.1; D7/509, 522, 524, 537
See application file for complete search history.

(57) **CLAIM**

The ornamental design for an air freshener, as shown and described.

DESCRIPTION

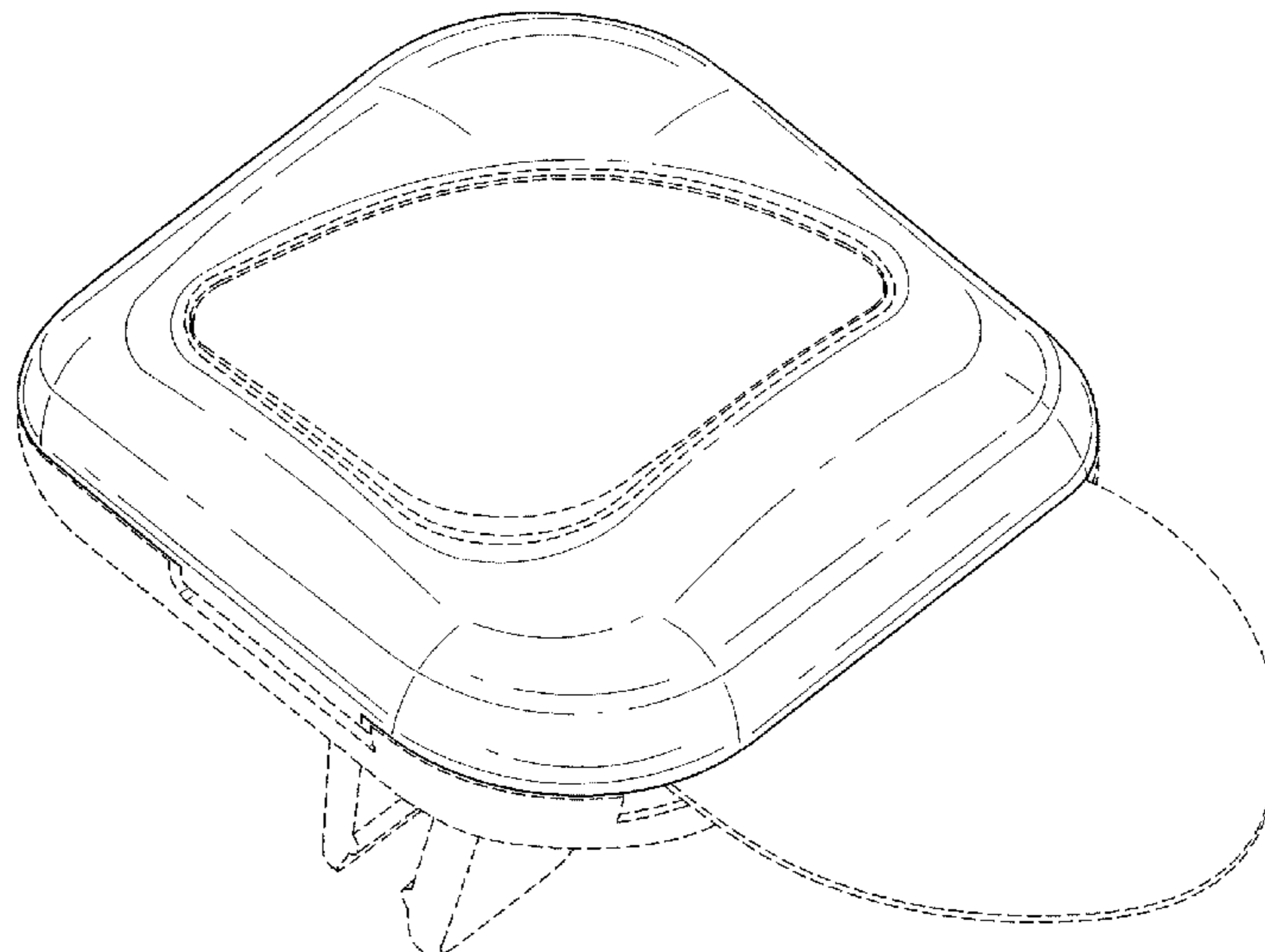
FIG. 1 is a right front perspective view of an air freshener of the invention;
 FIG. 2 is a right side elevational view of the air freshener of FIG. 1;
 FIG. 3 is a left side elevational view of the air freshener of FIG. 1;
 FIG. 4 is a front elevational view of the air freshener of FIG. 1;
 FIG. 5 is a rear elevational view of the air freshener of FIG. 1;
 FIG. 6 is a top plan view of the air freshener of FIG. 1; and,
 FIG. 7 is a bottom plan view of the air freshener of FIG. 1.
 The broken lines shown in the drawings are for illustrative purposes only and form no part of the claimed design.

1 Claim, 7 Drawing Sheets

(56) **References Cited**

U.S. PATENT DOCUMENTS

D481,787 S	11/2003	Millan	
D483,460 S	12/2003	Millan	
D503,973 S	4/2005	Millan	
7,070,172 B2	7/2006	Fabrega et al.	
D532,893 S *	11/2006	Wu	D23/366
D544,592 S	6/2007	Caserta et al.	



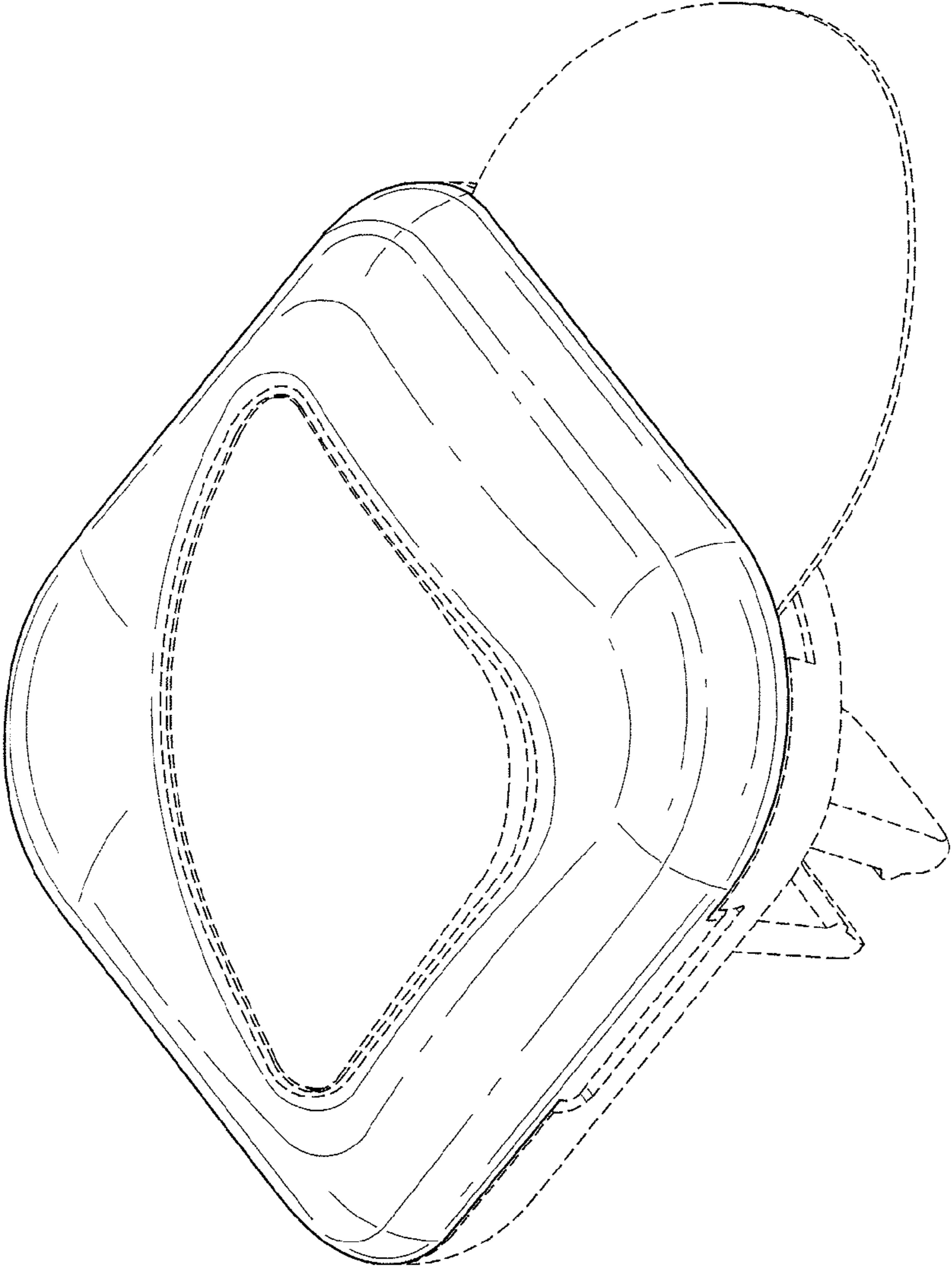


FIG. 1

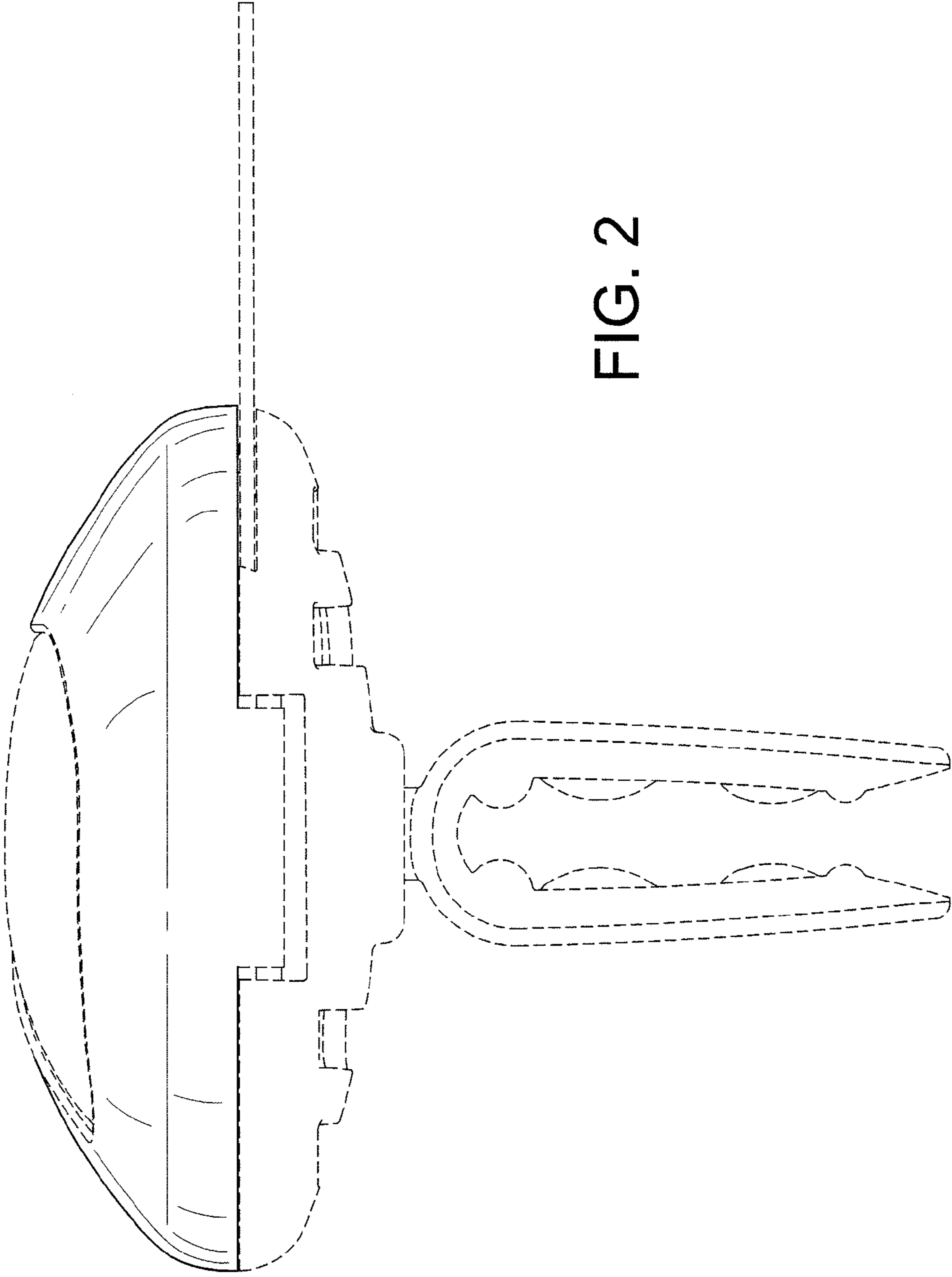


FIG. 2

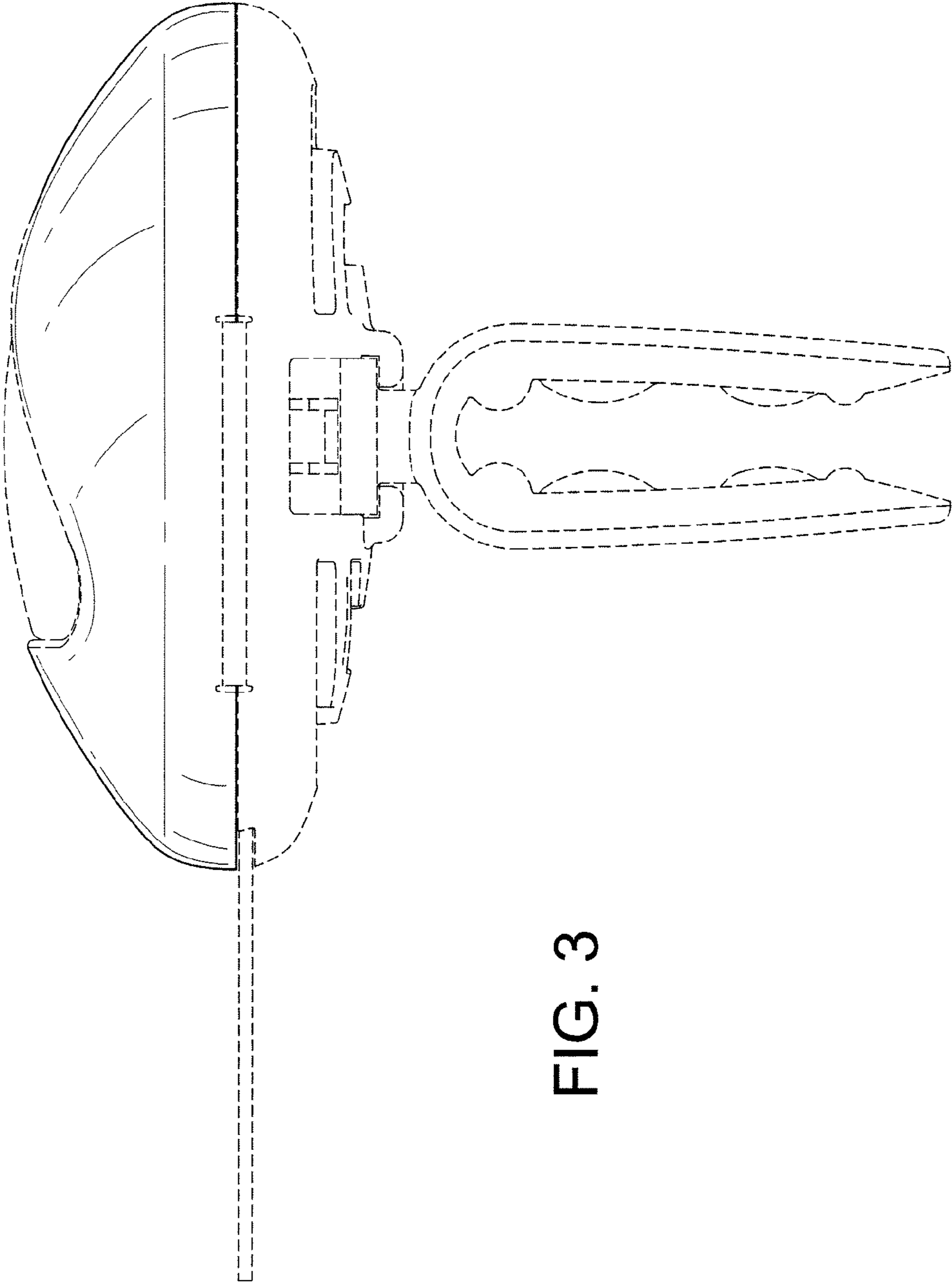


FIG. 3

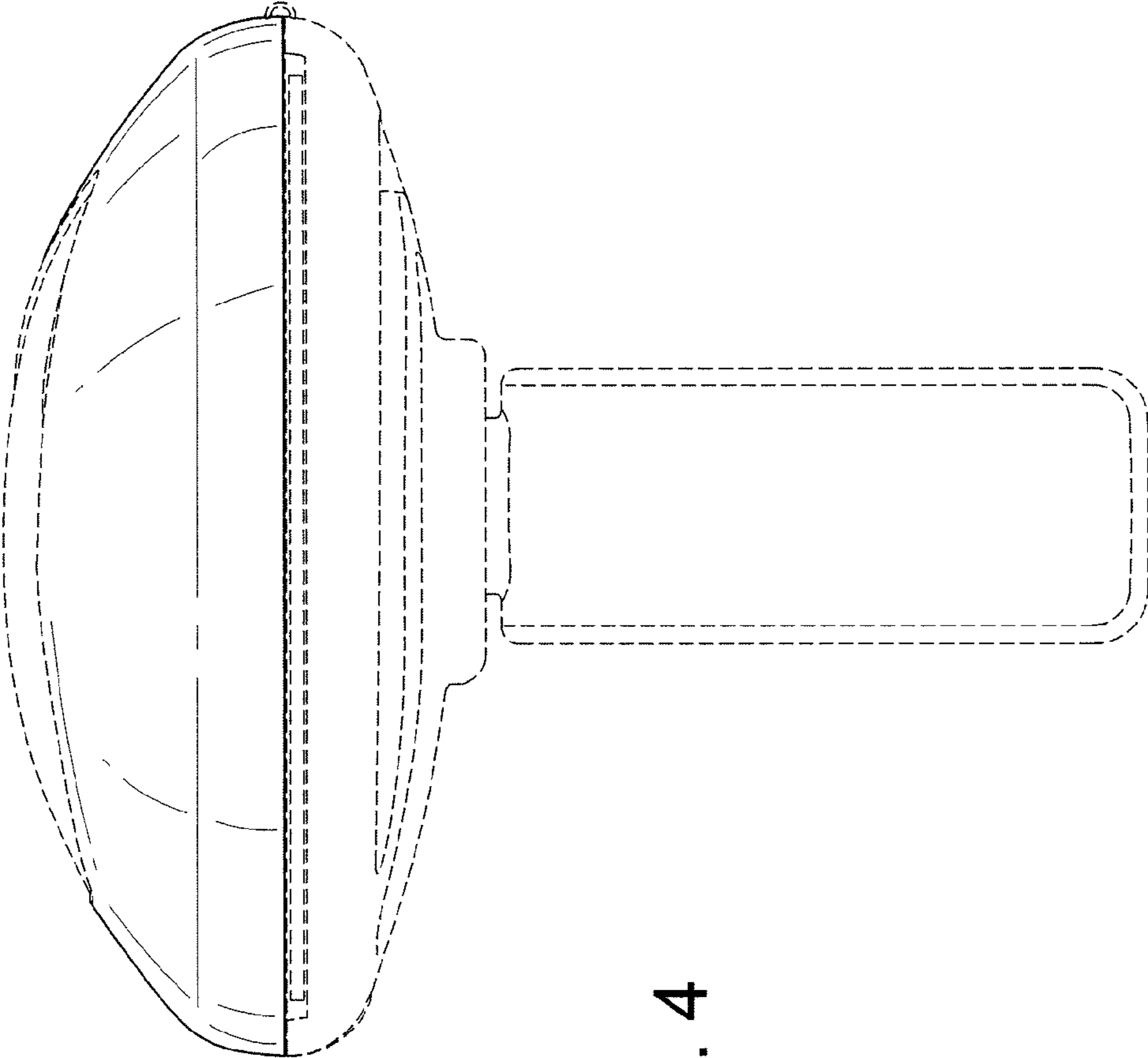


FIG. 4

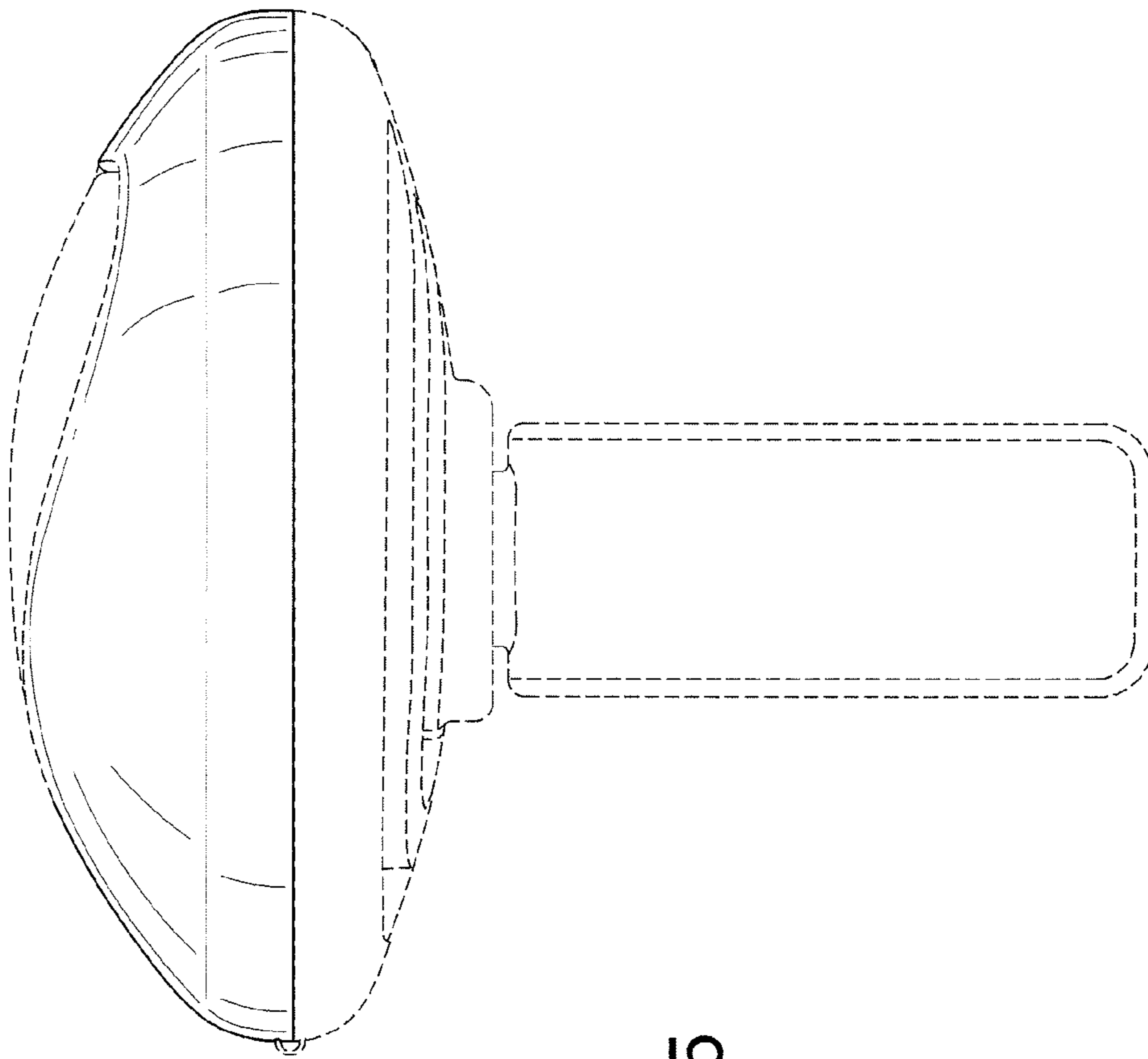


FIG. 5

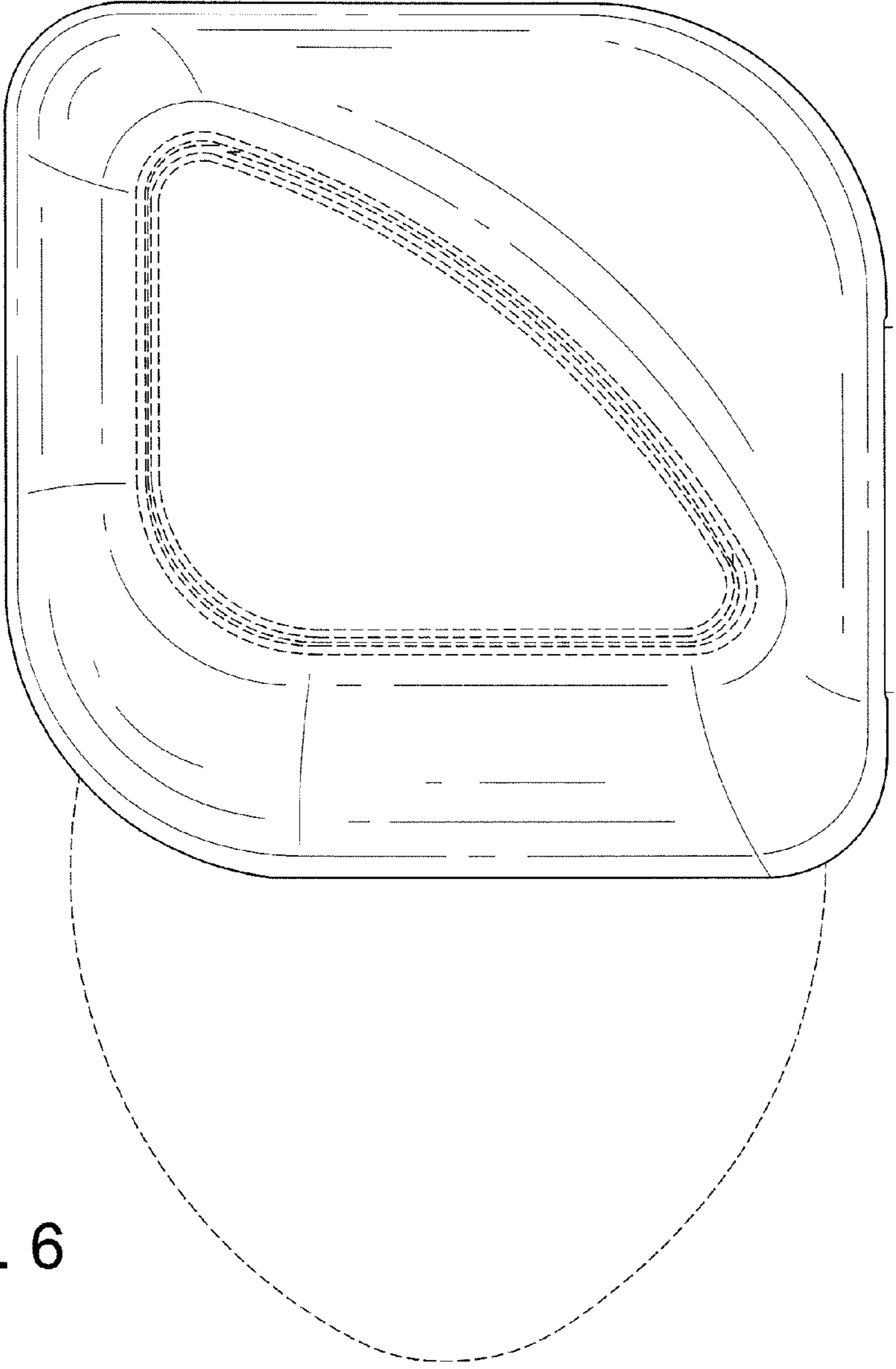


FIG. 6

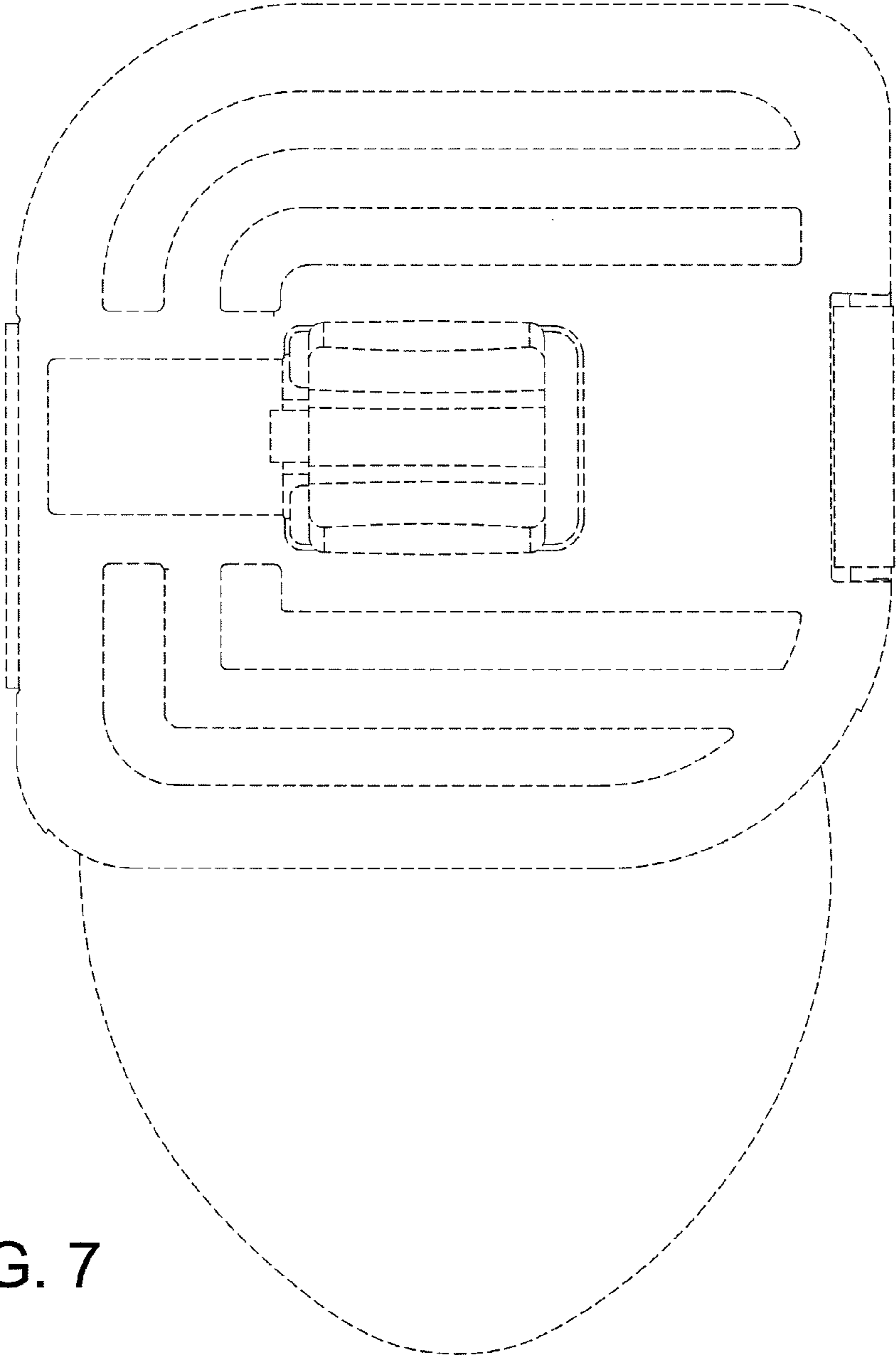


FIG. 7