



US00D709171S

(12) **United States Design Patent**  
**Chouji**

(10) **Patent No.:** **US D709,171 S**  
(45) **Date of Patent:** **\*\* Jul. 15, 2014**

- (54) **AIR CONDITIONER**
- (71) Applicant: **Masahiko Chouji**, Kusatsu (JP)
- (72) Inventor: **Masahiko Chouji**, Kusatsu (JP)
- (73) Assignee: **Daikin Industries Ltd.**, Osaka-shi, Osaka-fu (JP)
- (\*\*) Term: **14 Years**
- (21) Appl. No.: **29/463,239**
- (22) Filed: **Sep. 19, 2013**
- (51) **LOC (10) Cl.** ..... **23-04**
- (52) **U.S. Cl.**  
USPC ..... **D23/351**
- (58) **Field of Classification Search**  
USPC ..... D23/351-354, 385, 355, 357, 361;  
312/236; 62/259.1, 259.4, 262-263,  
62/304; 454/330-331, 349-350  
See application file for complete search history.

- D642,249 S \* 7/2011 Seki ..... D23/351
- D681,180 S \* 4/2013 Chouji ..... D23/351
- D683,004 S \* 5/2013 Chouji ..... D23/351
- D685,895 S \* 7/2013 Huang ..... D23/351
- D689,179 S \* 9/2013 Nishiguchi ..... D23/351

\* cited by examiner

*Primary Examiner* — Brian N Vinson  
(74) *Attorney, Agent, or Firm* — Manabu Kanesaka

(57) **CLAIM**  
The ornamental design for an air conditioner, as shown and described.

**DESCRIPTION**

FIG. 1 is a perspective view of an air conditioner showing my new design;  
FIG. 2 is a front view thereof;  
FIG. 3 is a rear view thereof;  
FIG. 4 is a plan view thereof;  
FIG. 5 is a bottom view thereof;  
FIG. 6 is a left side view thereof;  
FIG. 7 is a right side view thereof; and,  
FIG. 8 is a cross-sectional view thereof taken along the line 8-8 in FIG. 2.

The broken lines depict portions of the air conditioner that form no part of claimed design.

**1 Claim, 7 Drawing Sheets**

- (56) **References Cited**  
U.S. PATENT DOCUMENTS  
D613,843 S \* 4/2010 Ohta ..... D23/351  
D621,018 S \* 8/2010 Nagahori et al. .... D23/351  
D624,167 S \* 9/2010 Mishiro et al. .... D23/351  
D641,854 S \* 7/2011 Seki et al. .... D23/351

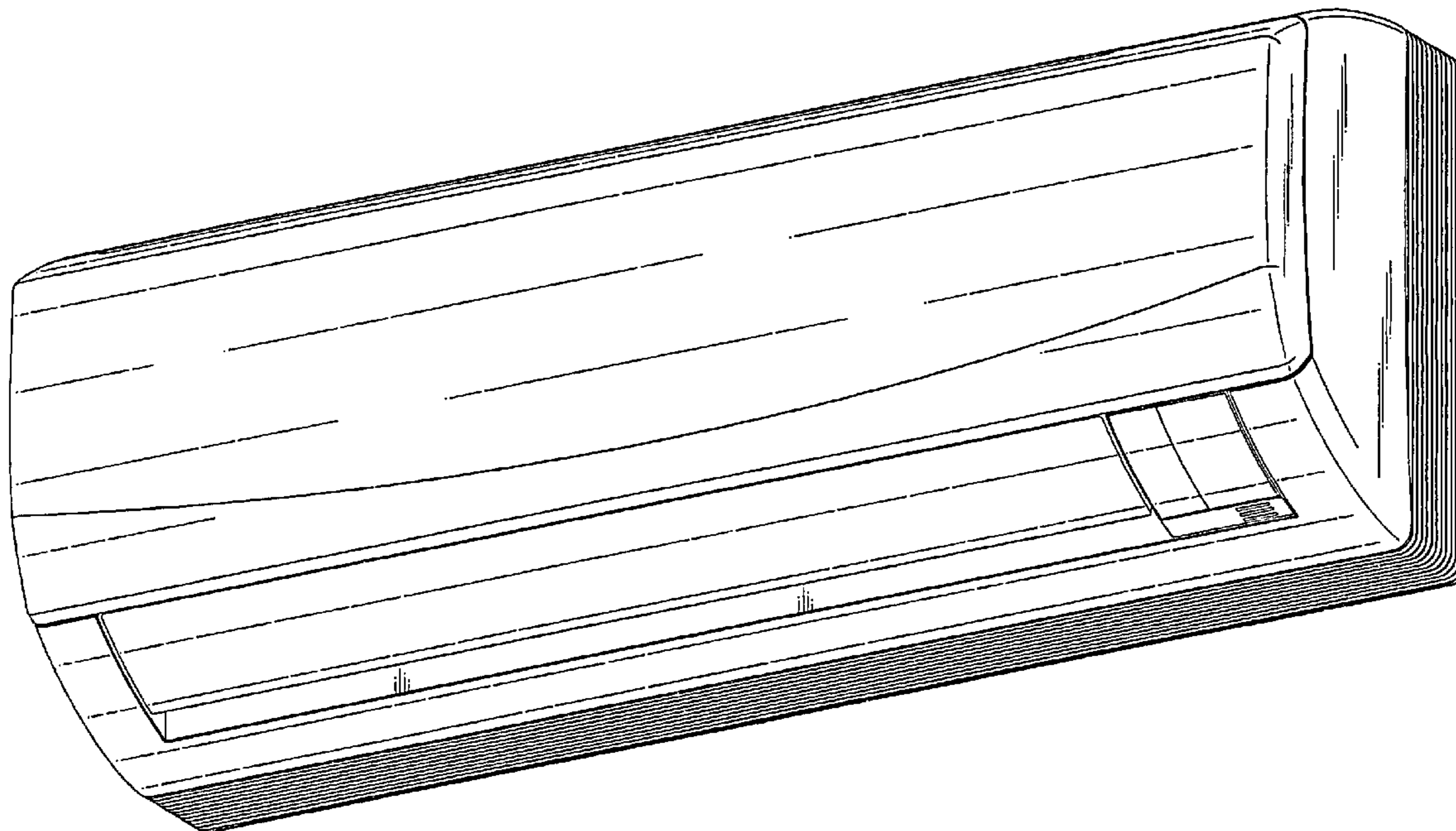


Fig. 1

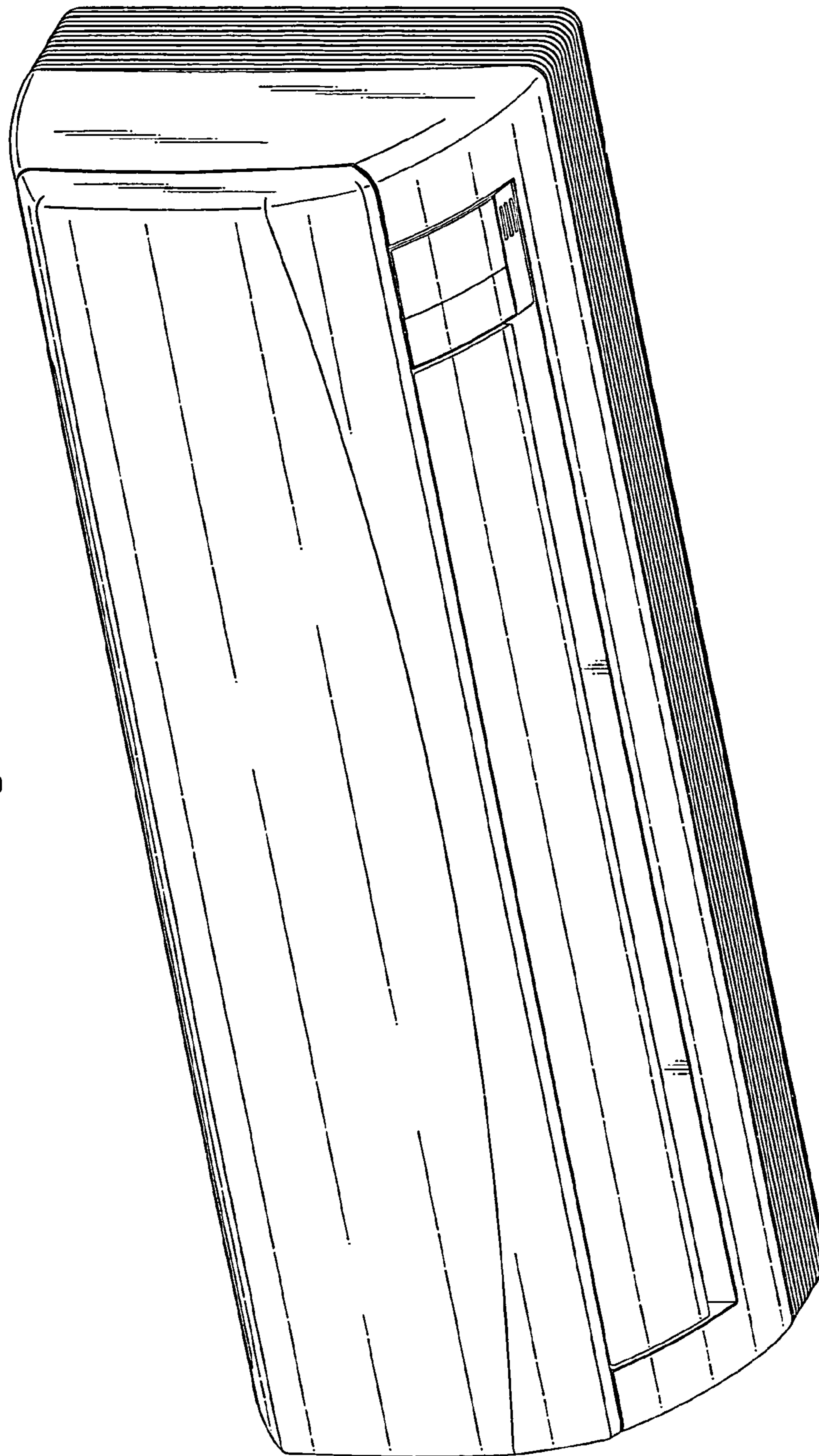
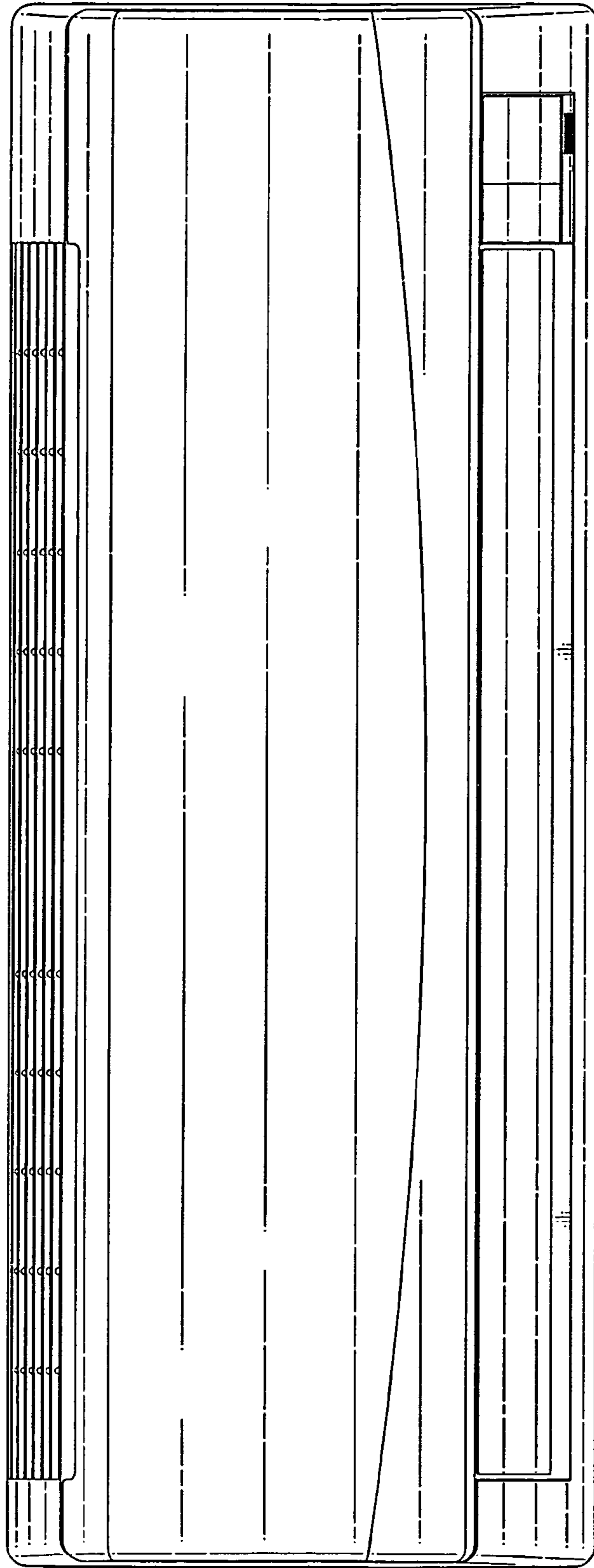


Fig. 2

8 ↙



8 ↙

Fig. 3

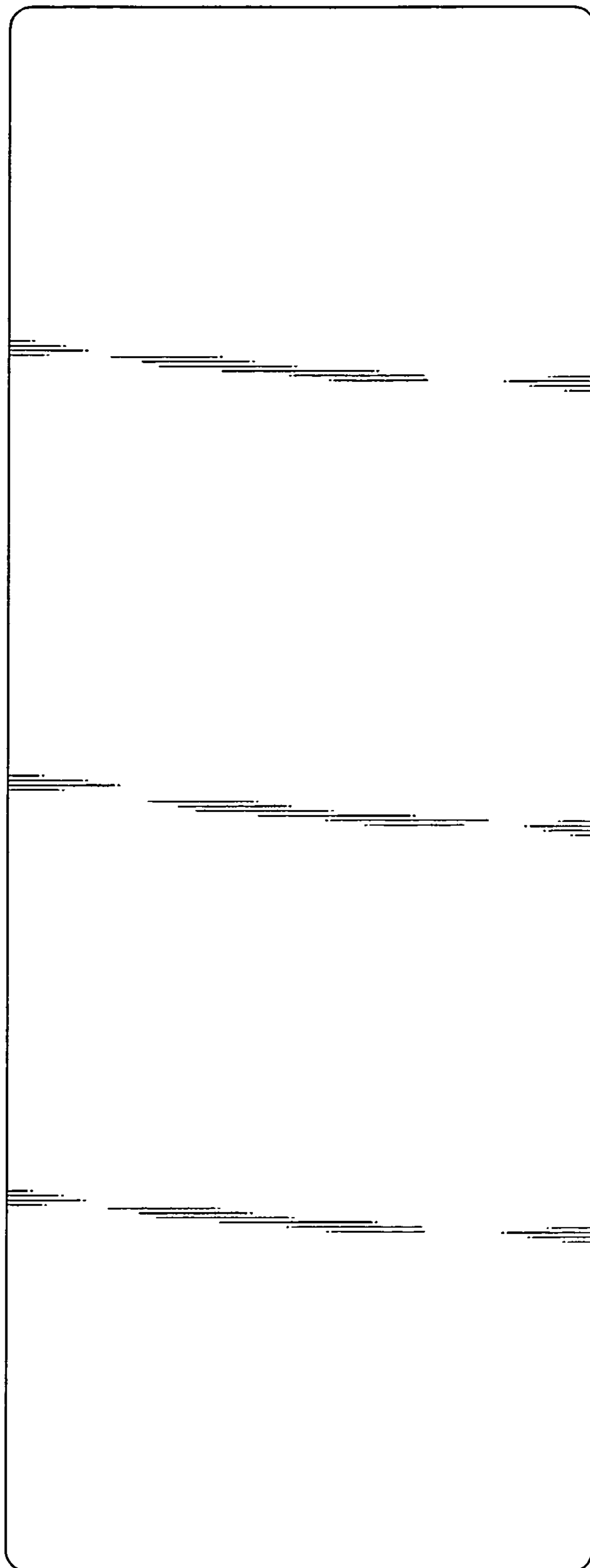


Fig. 4

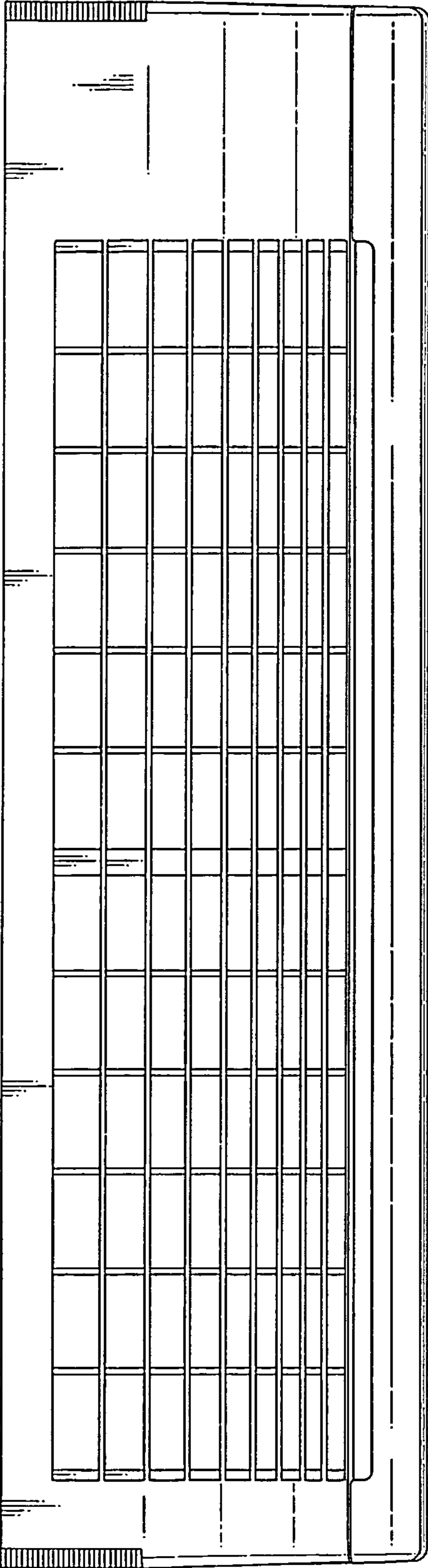


Fig. 5

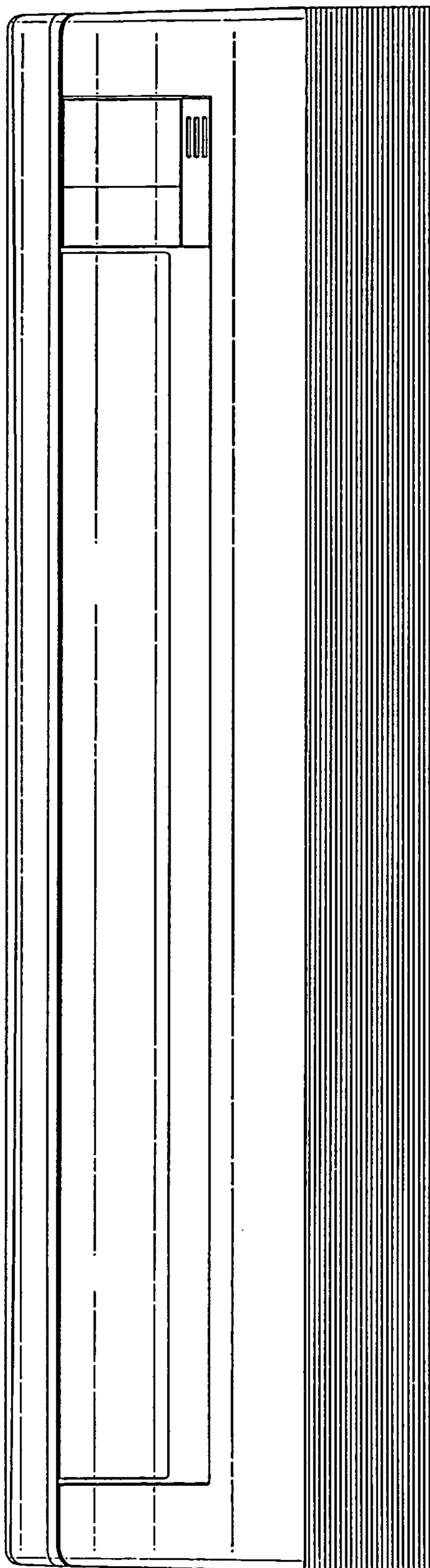


Fig. 7

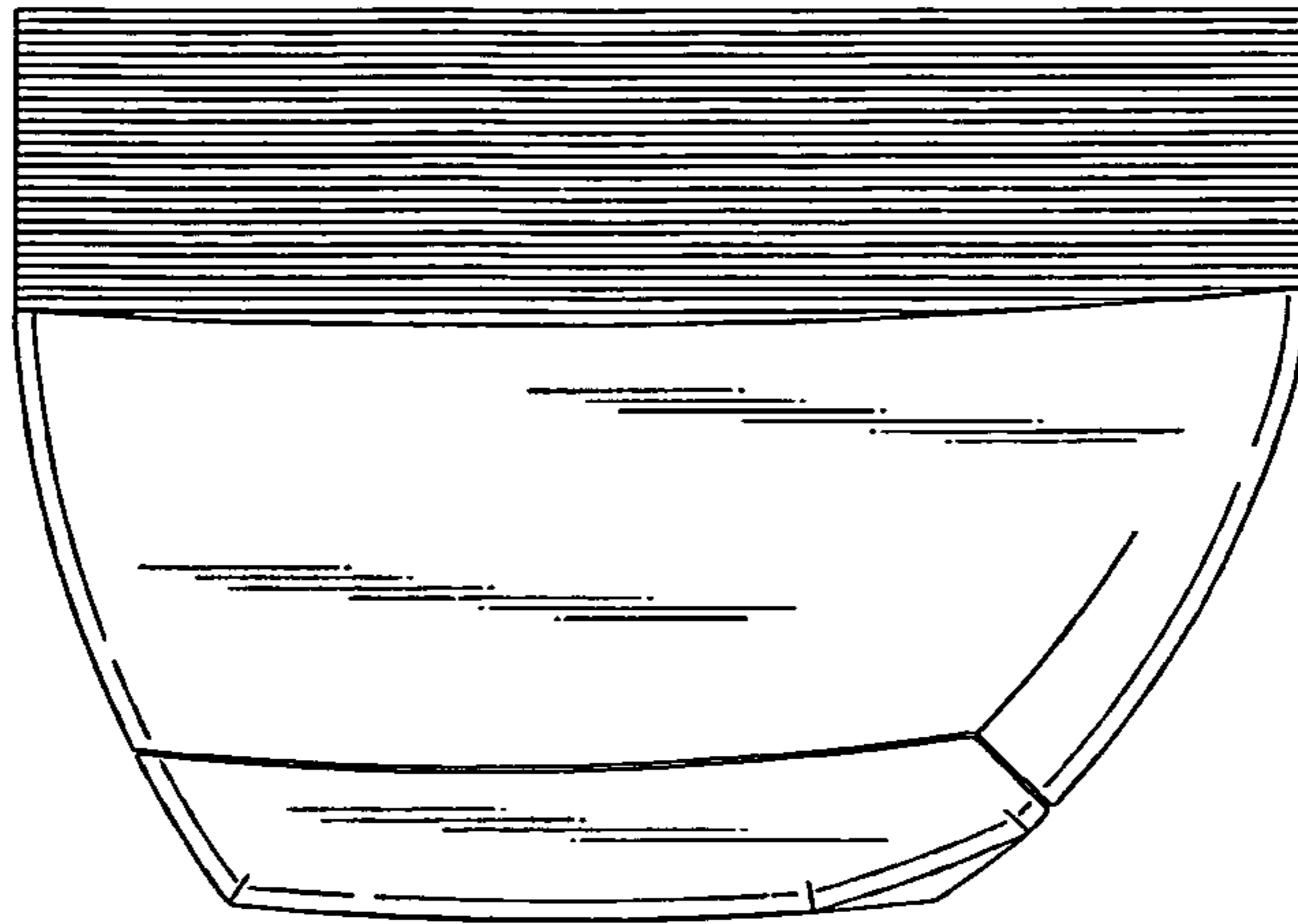


Fig. 6

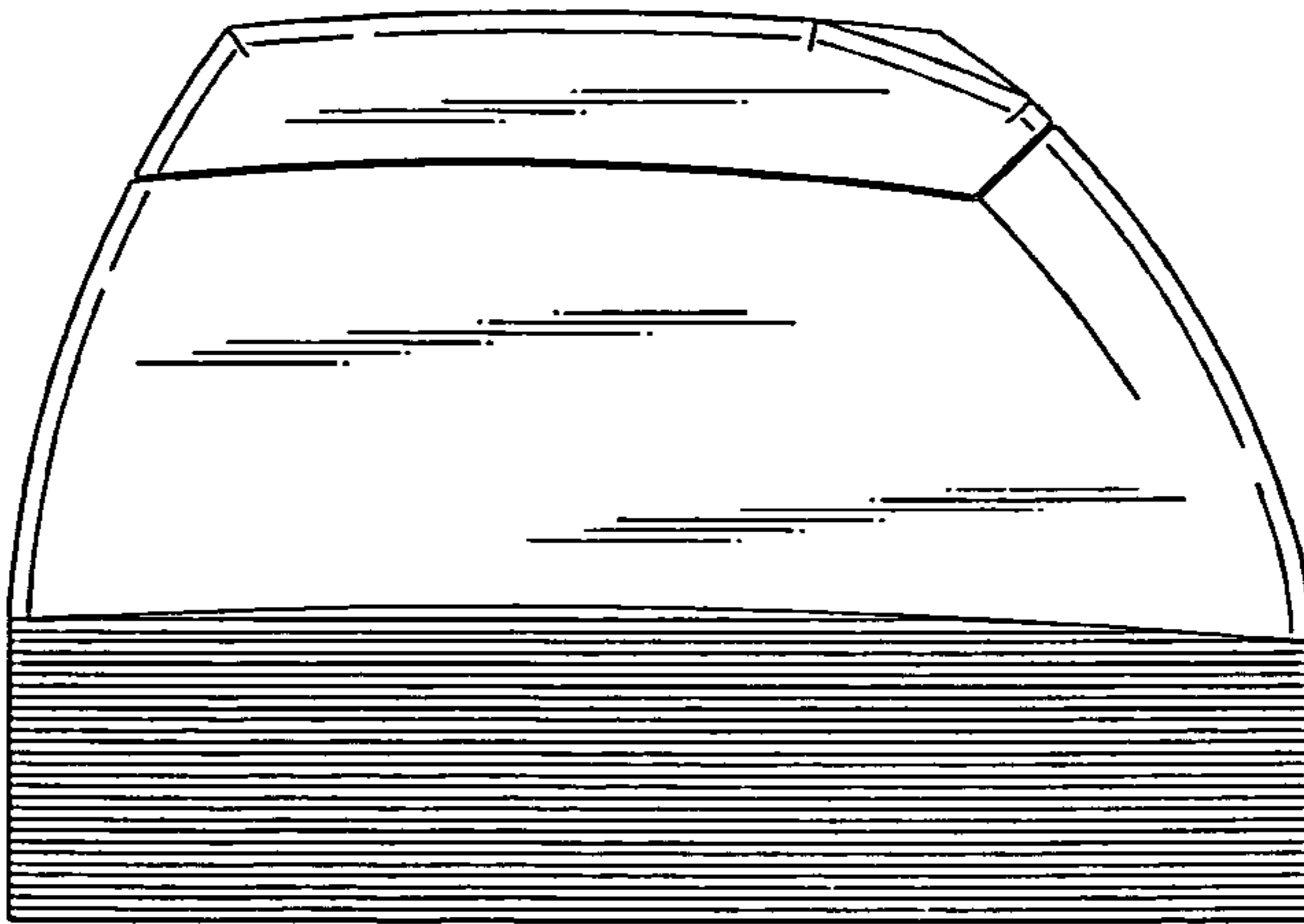


Fig. 8

