



US00D709170S

(12) **United States Design Patent**
Tsuji

(10) **Patent No.:** **US D709,170 S**

(45) **Date of Patent:** **** Jul. 15, 2014**

(54) **AIR CONDITIONER**

(71) Applicant: **Kaichi Tsuji**, Kusatsu (JP)

(72) Inventor: **Kaichi Tsuji**, Kusatsu (JP)

(73) Assignee: **Daikin Industries Ltd.**, Osaka-shi,
Osaka-fu (JP)

(**) Term: **14 Years**

(21) Appl. No.: **29/442,452**

(22) Filed: **Mar. 5, 2013**

(51) **LOC (10) Cl.** **23-04**

(52) **U.S. Cl.**
USPC **D23/351**

(58) **Field of Classification Search**
USPC D23/351-354, 385, 388; 312/236;
62/259.1, 259.4, 262-263, 304;
454/330-331, 349-350
See application file for complete search history.

(56) **References Cited**

U.S. PATENT DOCUMENTS

D539,404 S * 3/2007 Nagahori D23/351
D539,888 S * 4/2007 Tsuji et al. D23/351

D553,727 S * 10/2007 Kato et al. D23/351
D579,094 S * 10/2008 Motonishi et al. D23/351
D606,641 S * 12/2009 Kim et al. D23/351
D616,082 S * 5/2010 Tsuji D23/351
D621,491 S * 8/2010 Tsuji D23/351
D683,837 S * 6/2013 Kim et al. D23/351

* cited by examiner

Primary Examiner — Brian N Vinson

(74) *Attorney, Agent, or Firm* — Manabu Kanesaka

(57) **CLAIM**

The ornamental design for an air conditioner, as shown and described.

DESCRIPTION

FIG. 1 is a perspective view of an air conditioner showing my new design;
FIG. 2 is a front view thereof;
FIG. 3 is a rear view thereof;
FIG. 4 is a right side view thereof, a left side view being symmetrical to the right side view; and,
FIG. 5 is a plan view thereof, a bottom view being symmetrical to the plan view.
The broken lines depict portions of the air conditioner that form no part of claimed design.

1 Claim, 4 Drawing Sheets

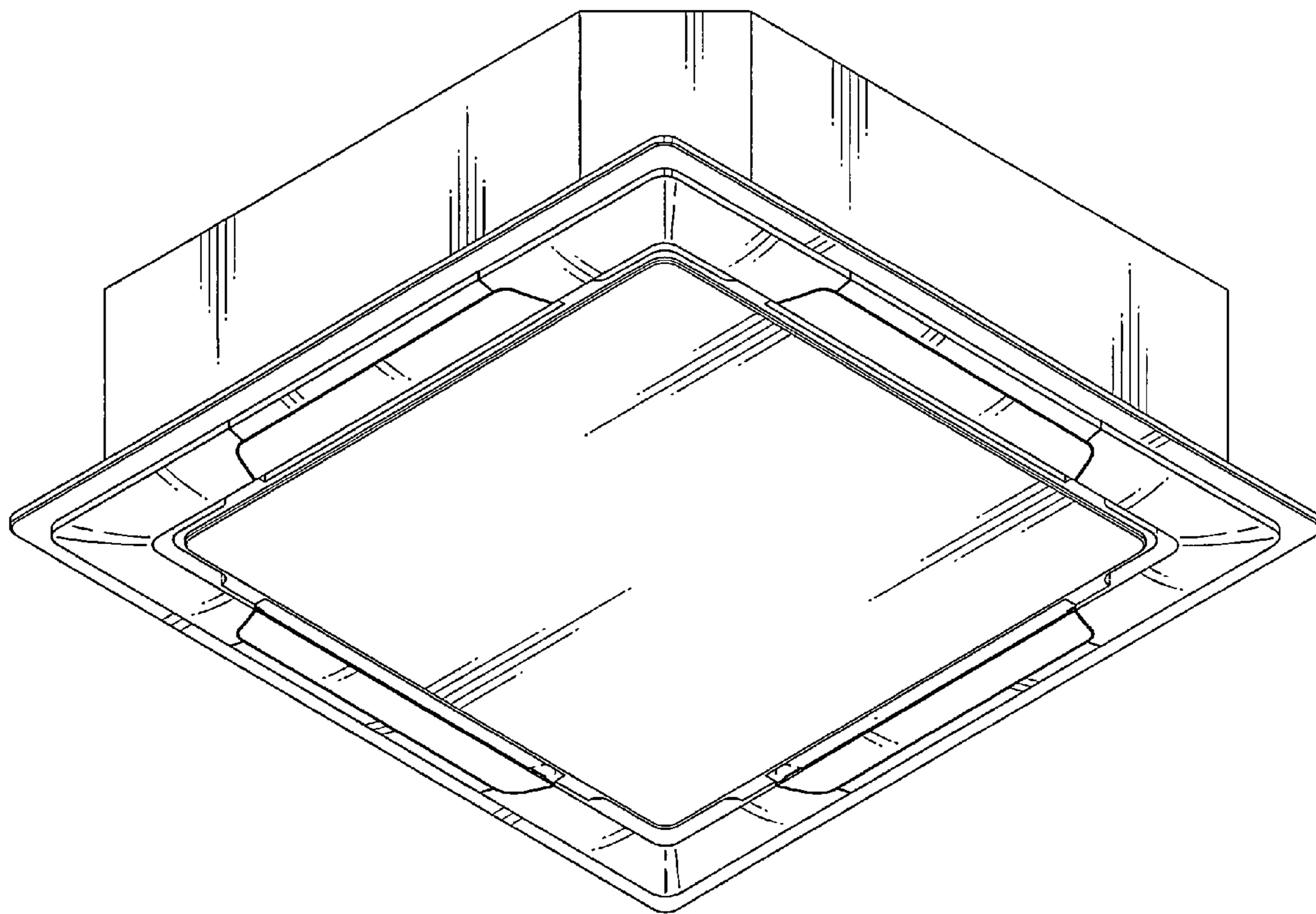


Fig. 1

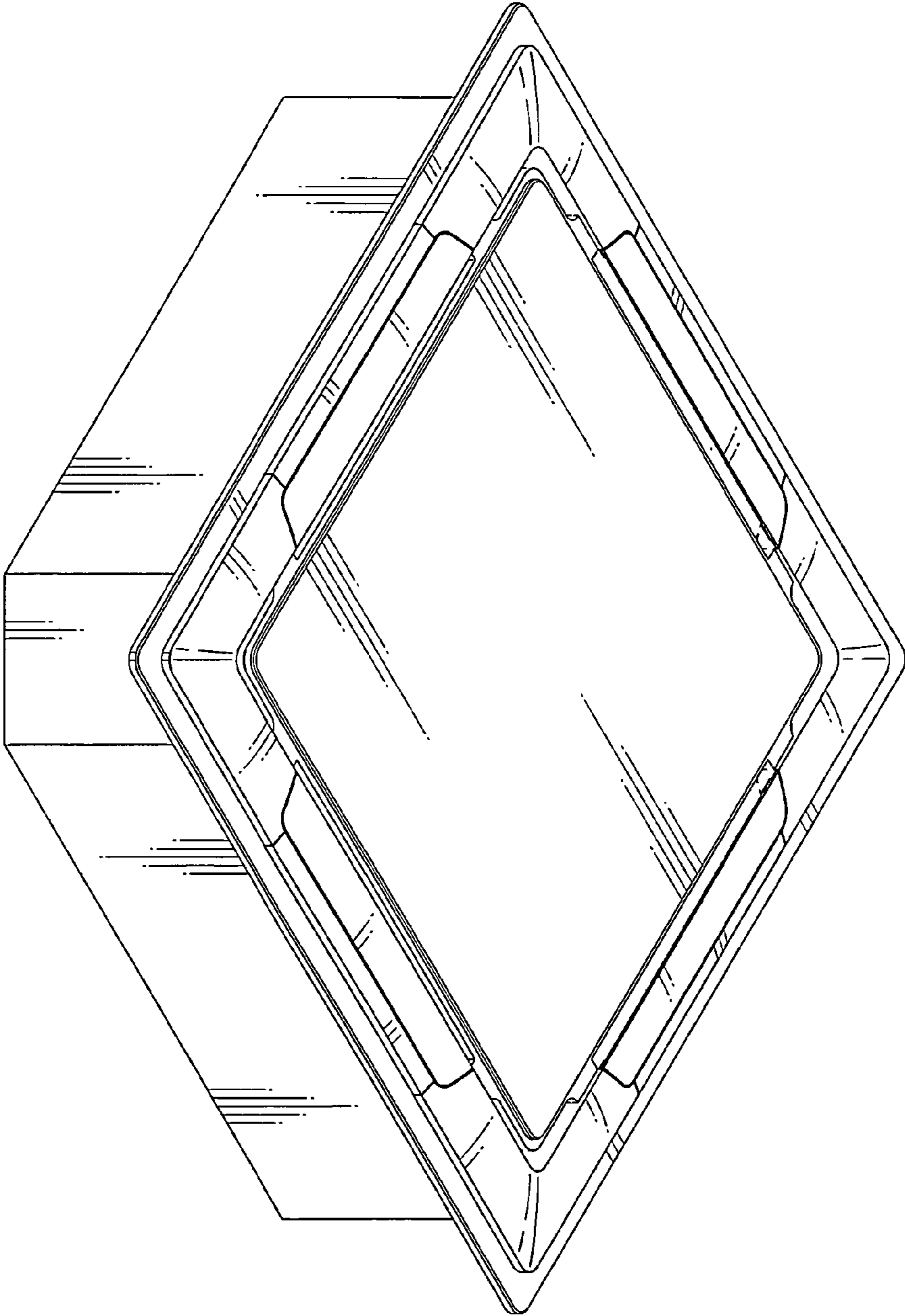


Fig. 2

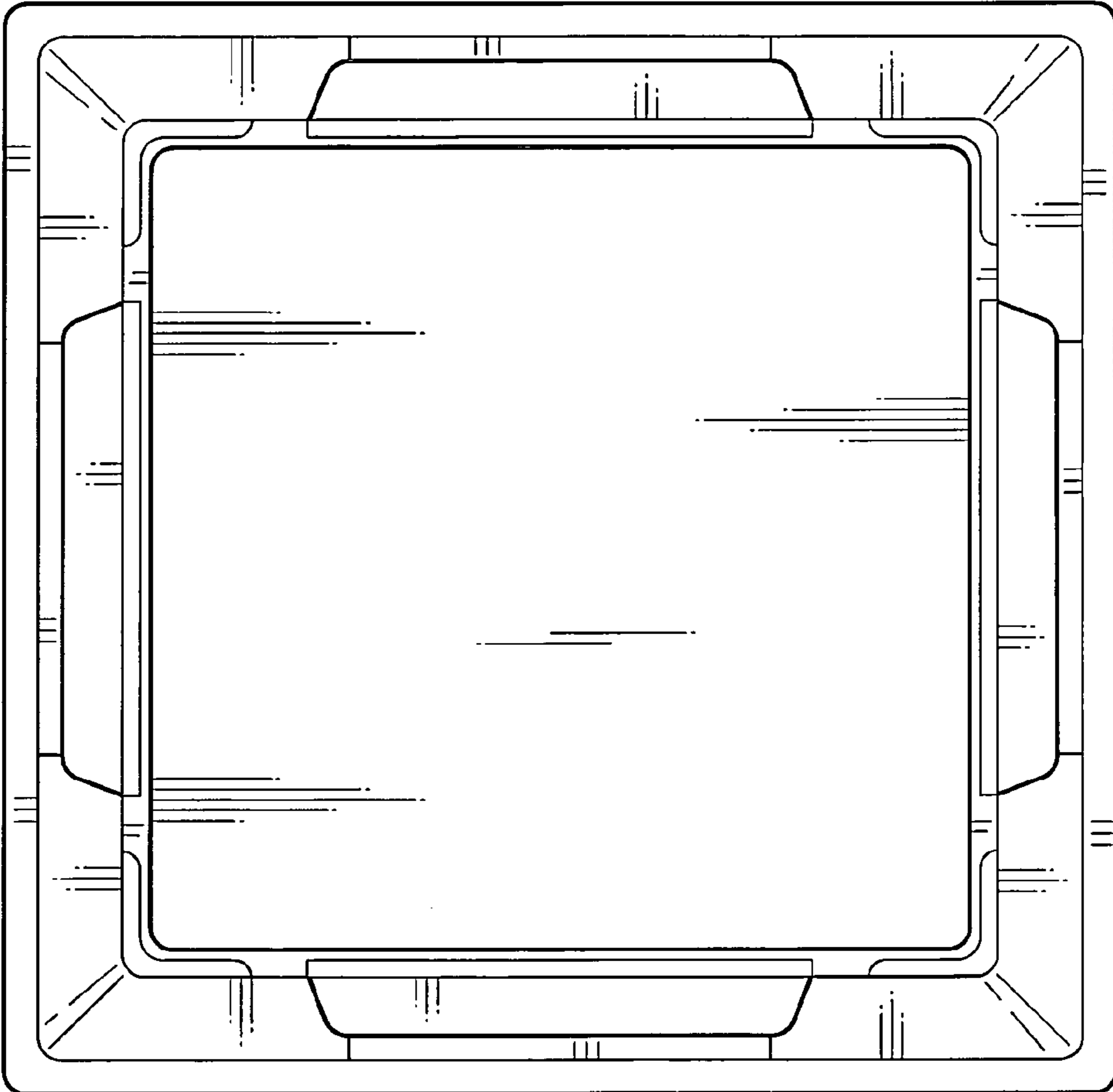


Fig. 3

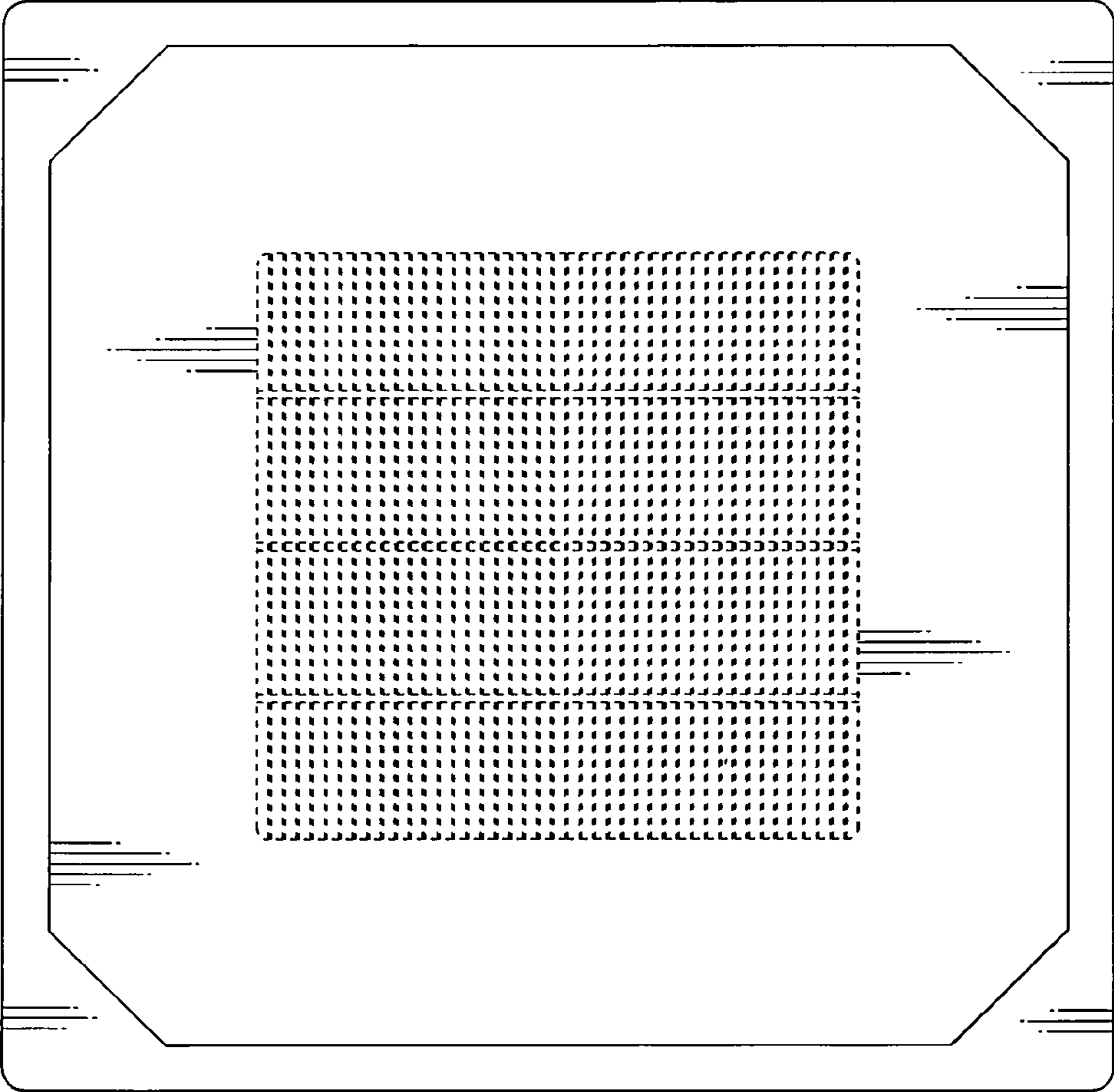


Fig. 4

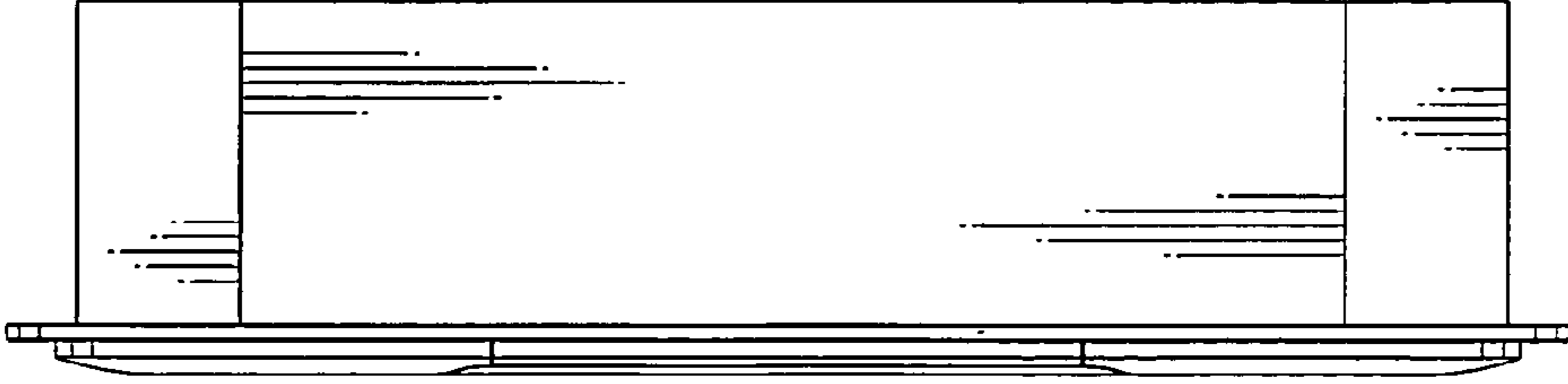


Fig. 5

