

US00D709166S

(12) **United States Design Patent**
Yu

(10) **Patent No.:** **US D709,166 S**
(45) **Date of Patent:** **** Jul. 15, 2014**

(54) **FAUCET**

(71) Applicant: **Yatin Bath Corporation**, Hangzhou (CN)

(72) Inventor: **Guang Yu**, Hangzhou (CN)

(73) Assignee: **Yatin Bath Corporation**, Hangzhou, Zhejiang Province (CN)

(**) Term: **14 Years**

(21) Appl. No.: **29/467,493**

(22) Filed: **Sep. 19, 2013**

(51) **LOC (10) Cl.** **23-01**

(52) **U.S. Cl.**
USPC **D23/238**

(58) **Field of Classification Search**
USPC D23/238-243, 249, 250, 252, 255;
4/675-678; 137/801

See application file for complete search history.

(56) **References Cited**

U.S. PATENT DOCUMENTS

D589,594 S * 3/2009 Lammel et al. D23/238
D605,261 S * 12/2009 Allard D23/255
D651,284 S * 12/2011 Flowers et al. D23/243

* cited by examiner

Primary Examiner — Robert Delehanty

(74) *Attorney, Agent, or Firm* — Jacobson Holman PLLC; Jiwen Chen

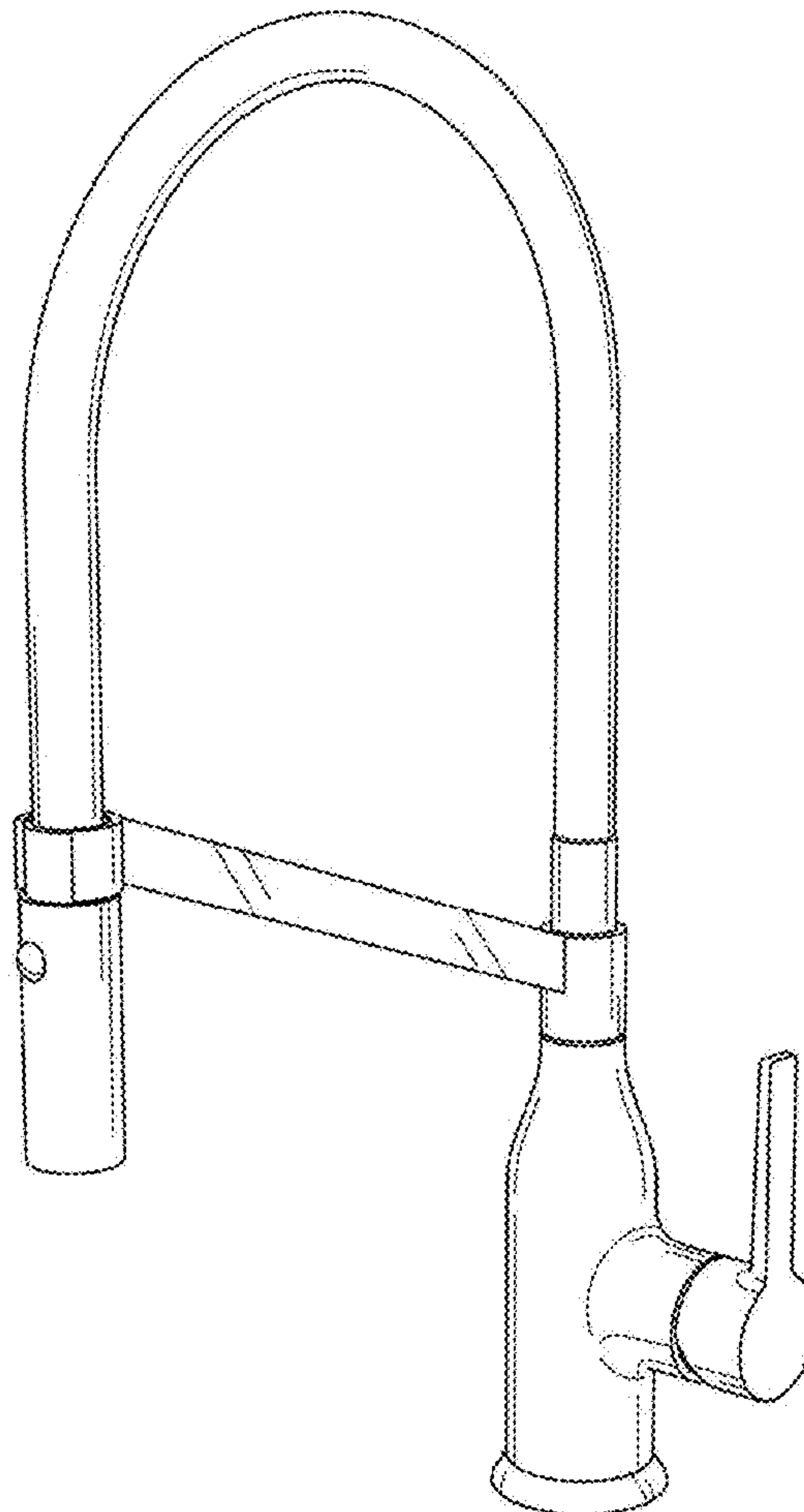
(57) **CLAIM**

The ornamental design for the faucet, as shown and described.

DESCRIPTION

FIG. 1 is a perspective view of the faucet showing the design; FIG. 2 is a front elevational view thereof; FIG. 3 is a rear elevational view thereof; FIG. 4 is a right side elevational view thereof; FIG. 5 is a left side elevational view thereof; and, FIG. 6 is a top plan view thereof.

1 Claim, 6 Drawing Sheets



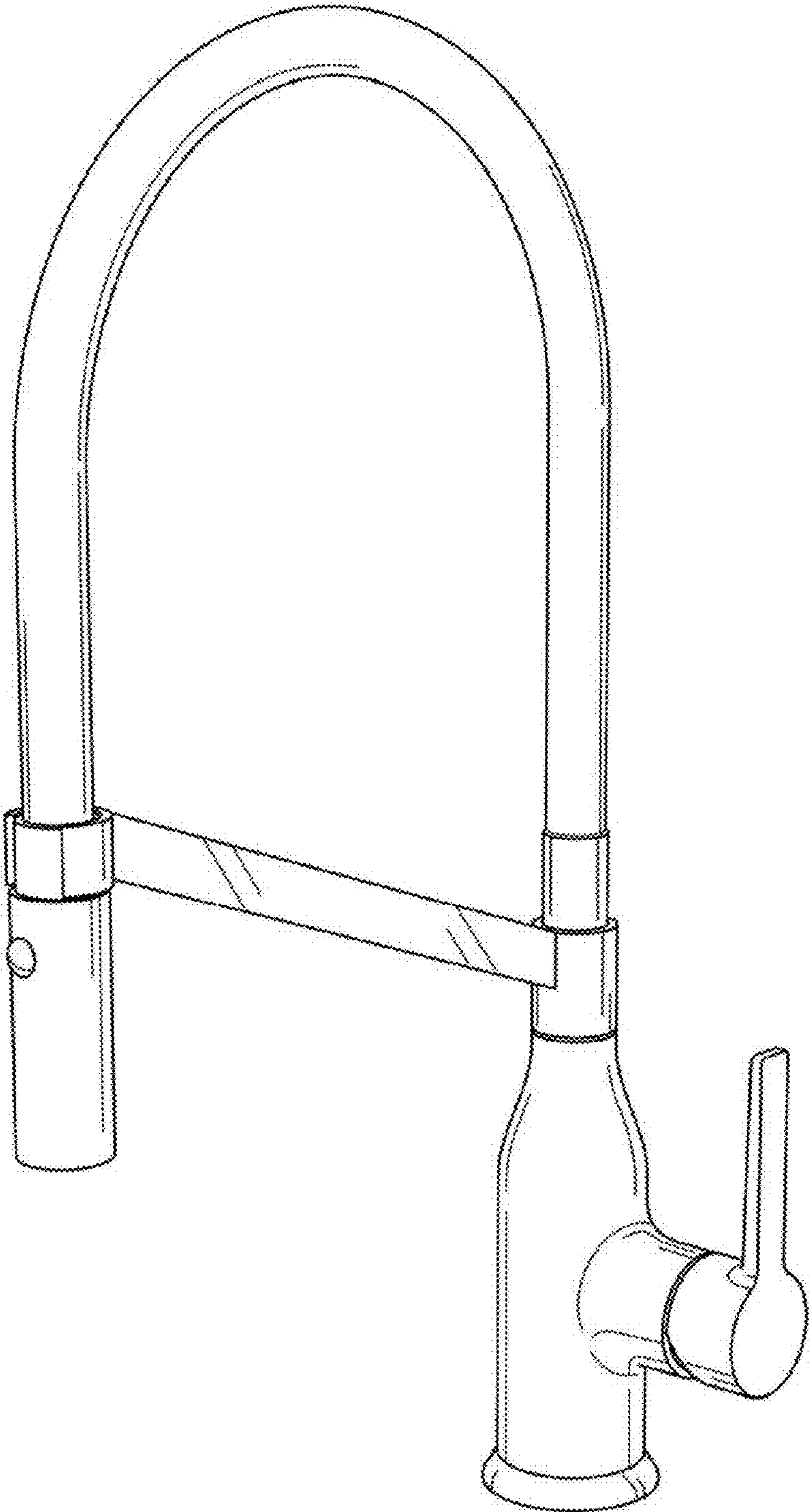


Fig. 1

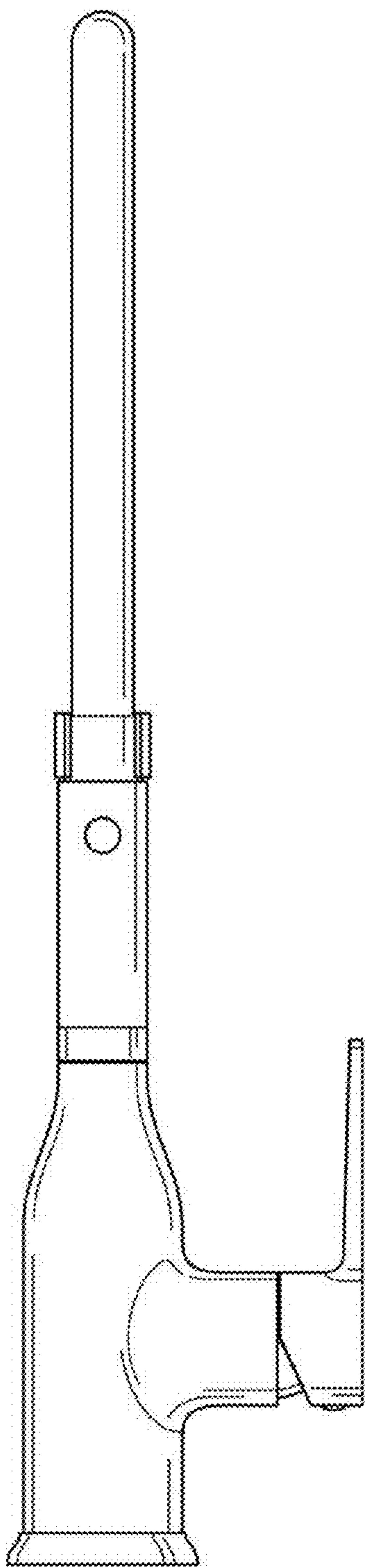


Fig.2

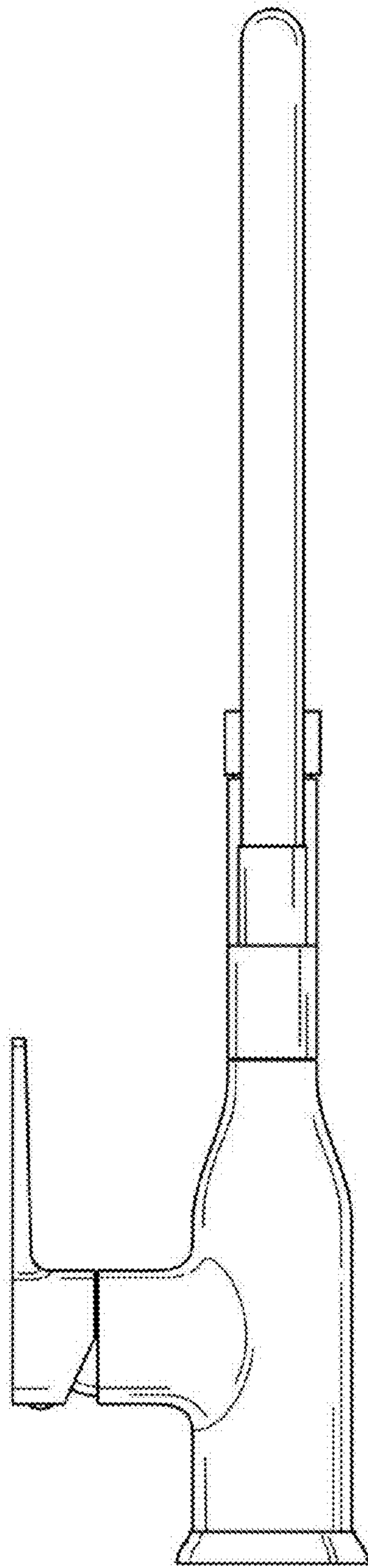


Fig. 3

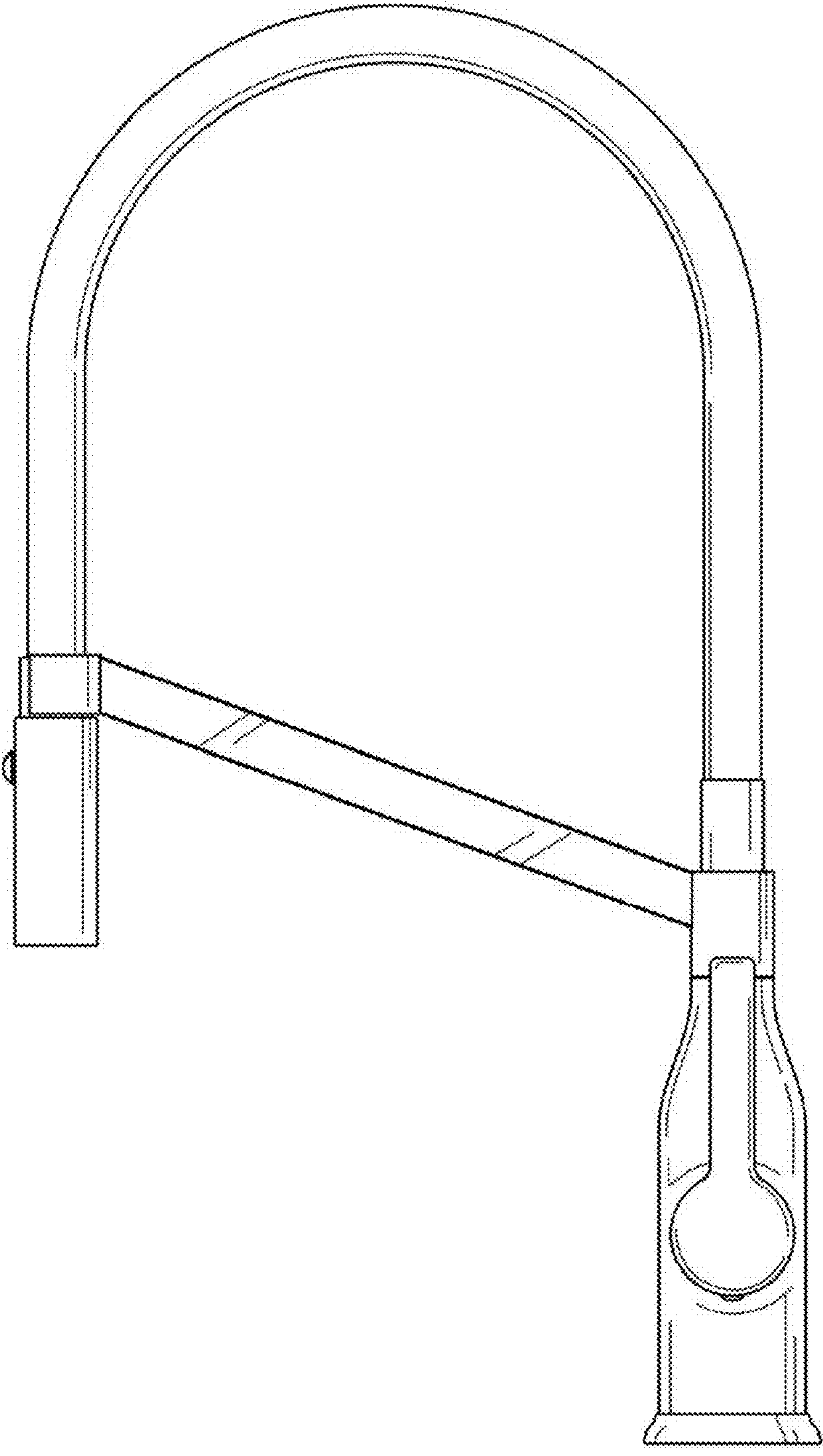


Fig.4

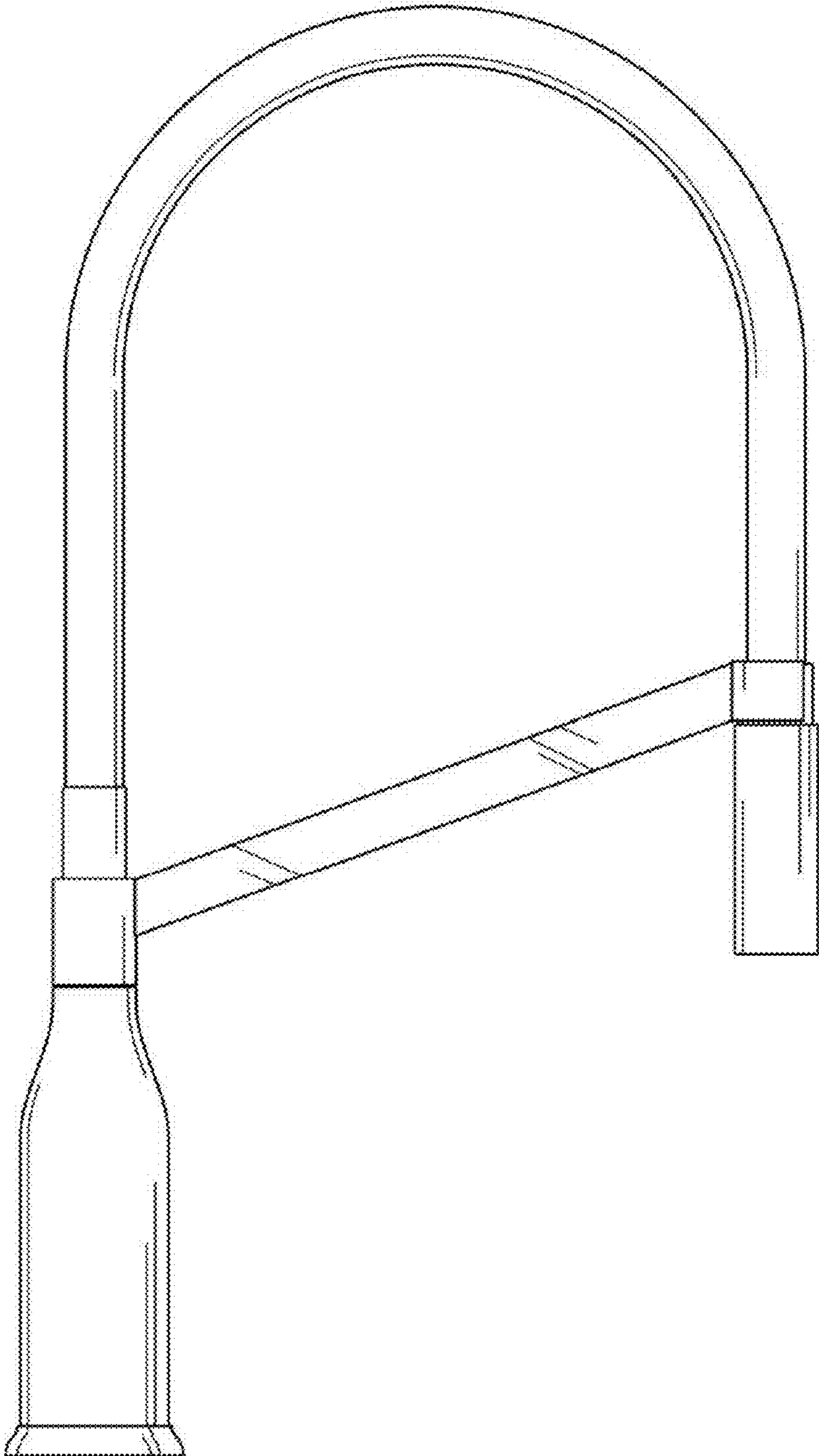


Fig. 5

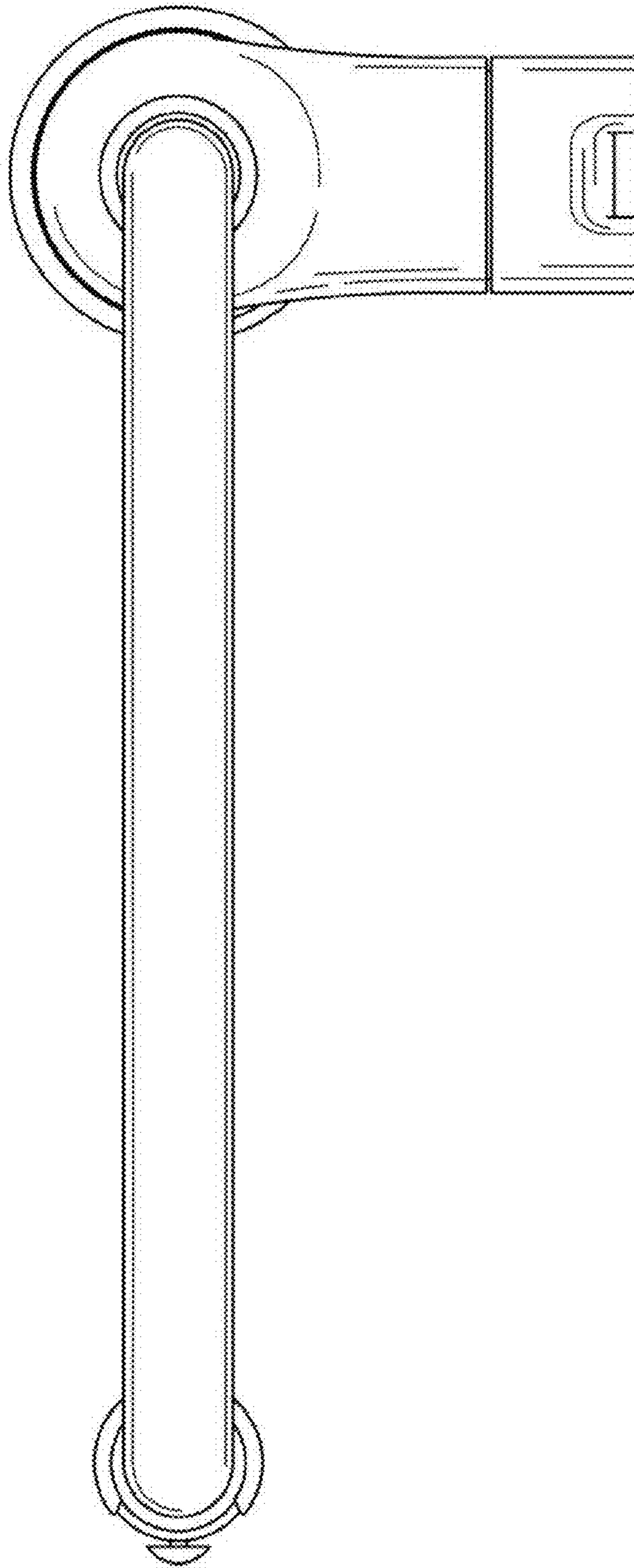


Fig. 6