



US00D709164S

(12) **United States Design Patent**  
**Abernethy et al.**

(10) **Patent No.:** **US D709,164 S**

(45) **Date of Patent:** **\*\* Jul. 15, 2014**

(54) **NOZZLE FOR A MANUALLY OPERATED  
SPRAY TANK**

(71) Applicant: **The Fountainhead Group, Inc.**, New  
York Mills, NY (US)

(72) Inventors: **Todd B. Abernethy**, Skaneateles, NY  
(US); **Ernest Allotey**, New Hartford, NY  
(US); **Jeffrey D. Nicolai**, Oneida, NY  
(US)

(73) Assignee: **The Fountainhead Group, Inc.**, New  
York Mills, NY (US)

(\*\*) Term: **14 Years**

(21) Appl. No.: **29/461,104**

(22) Filed: **Jul. 18, 2013**

(51) **LOC (10) Cl.** ..... **23-01**

(52) **U.S. Cl.**  
USPC ..... **D23/213**

(58) **Field of Classification Search**  
USPC ..... D23/213, 225, 223; 239/152-154, 302,  
239/337, 310; 222/465.1, 383.1, 137, 626,  
222/401

See application file for complete search history.

(56) **References Cited**

U.S. PATENT DOCUMENTS

4,214,674	A *	7/1980	Jones et al.	.....	222/79
5,848,733	A *	12/1998	Foster et al.	.....	222/153.13
D588,675	S *	3/2009	Grocholske	.....	D23/213
D604,801	S *	11/2009	Zore	.....	D23/213
7,789,275	B2 *	9/2010	Englhard et al.	.....	222/385
8,100,302	B2 *	1/2012	Bonner	.....	222/401

\* cited by examiner

*Primary Examiner* — Robin V Webster

(74) *Attorney, Agent, or Firm* — George R. McGuire; Bond  
Schoeneck & King, PLLC

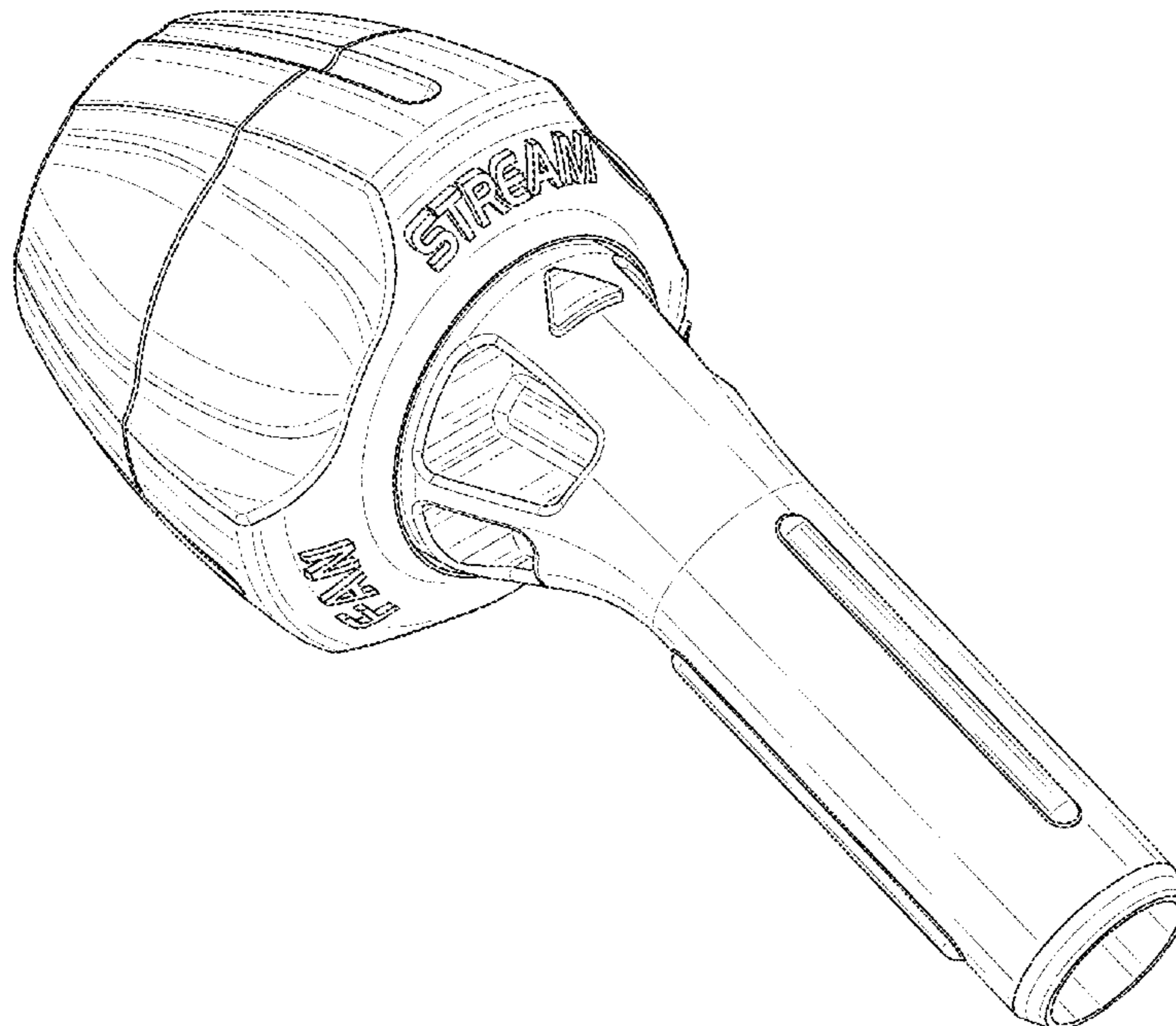
(57) **CLAIM**

The ornamental design for a nozzle for a manually operated  
spray tank, as shown and described.

**DESCRIPTION**

FIG. 1 is a perspective view of a new and ornamental design  
for a nozzle for a manually operated spray tank;  
FIG. 2 is a first side elevation view thereof;  
FIG. 3 is a second side elevation view thereof;  
FIG. 4 is a front elevation view thereof;  
FIG. 5 is a rear elevation view thereof;  
FIG. 6 is a top plan view thereof;  
FIG. 7 is a bottom plan view thereof; and,  
FIG. 8 is a perspective view thereof, shown with a spray tank  
wherein the spray tank and hose are shown in phantom lines  
for environmental purposes only and forming no part of the  
claimed design.

**1 Claim, 7 Drawing Sheets**



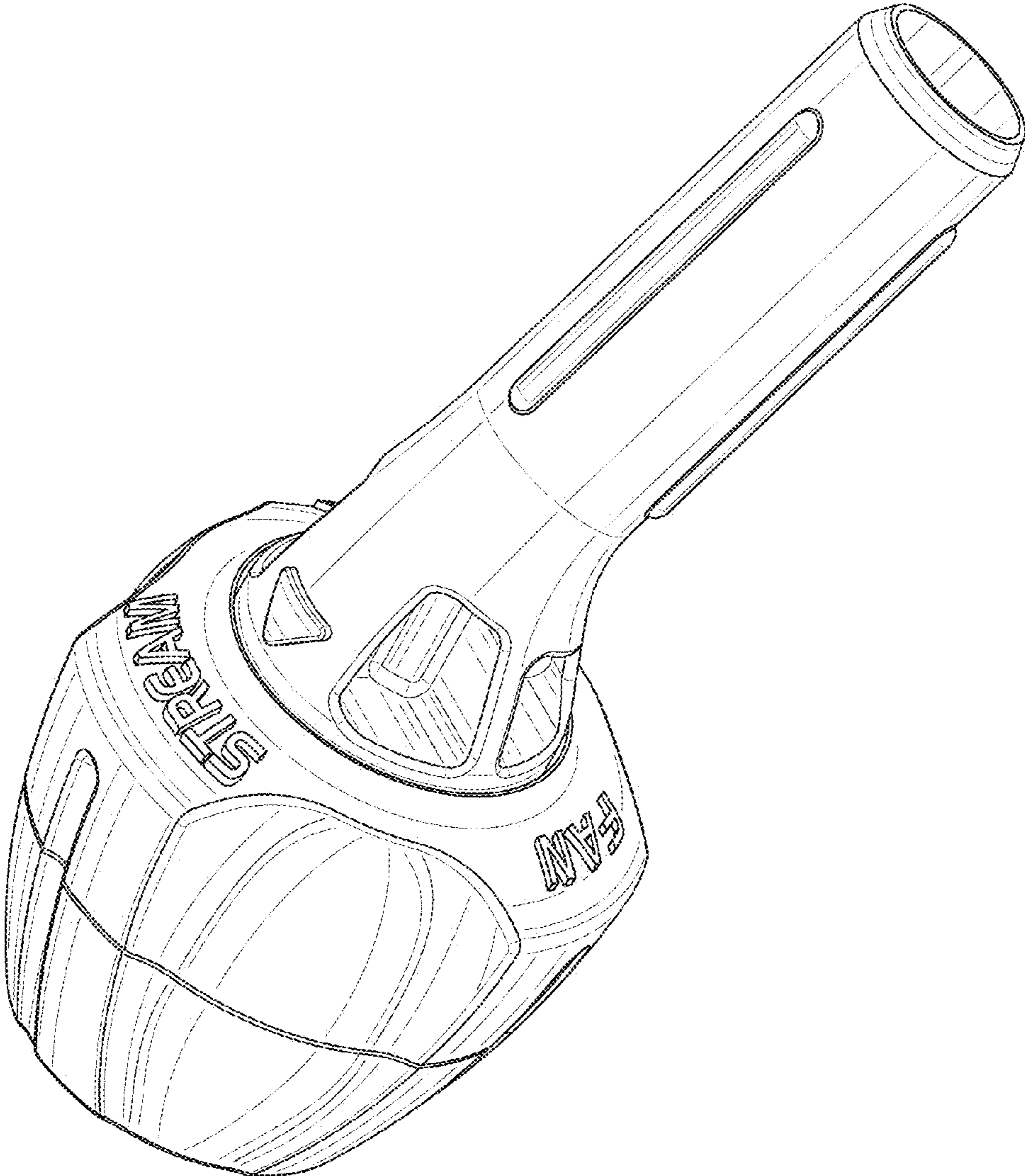


FIG. 1

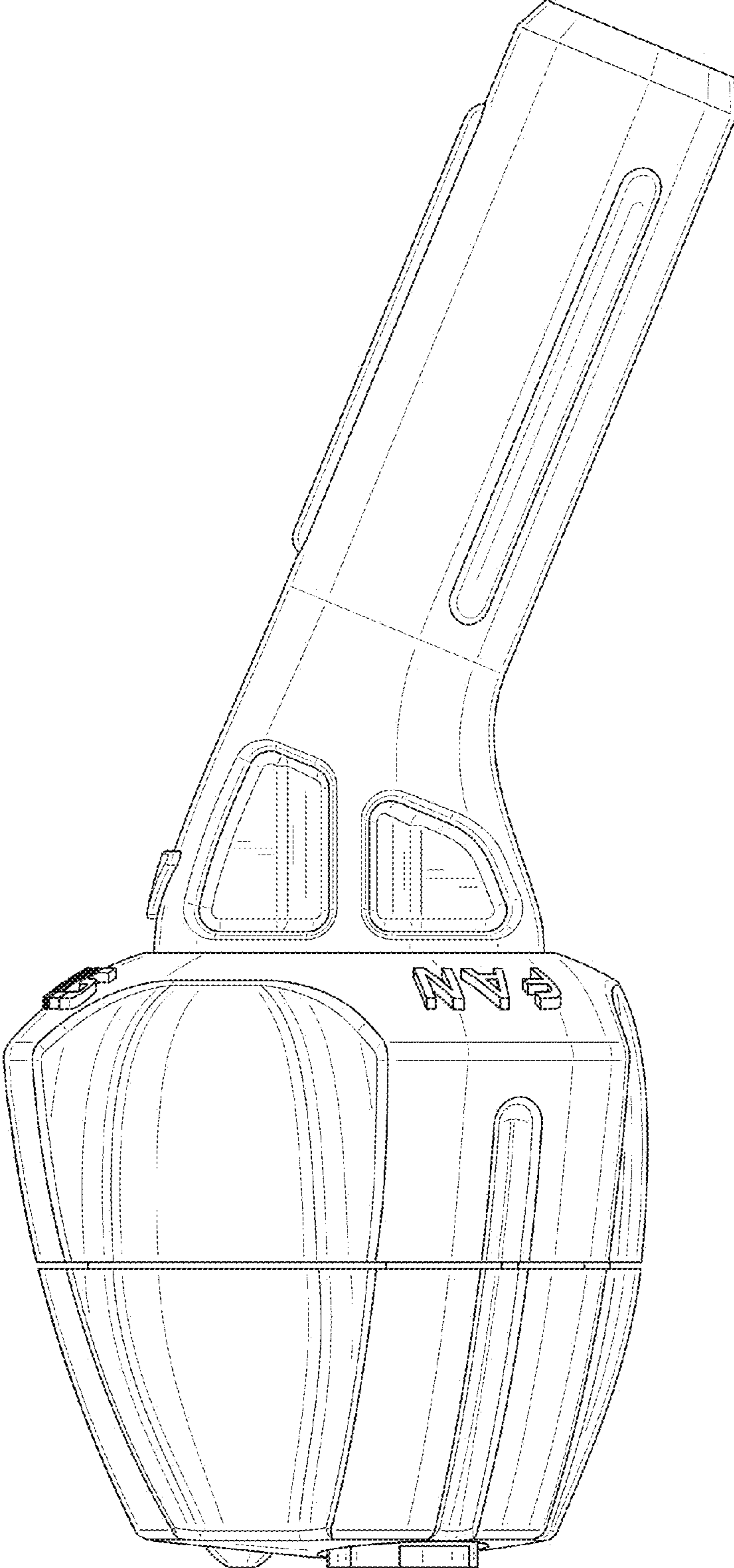


FIG. 2

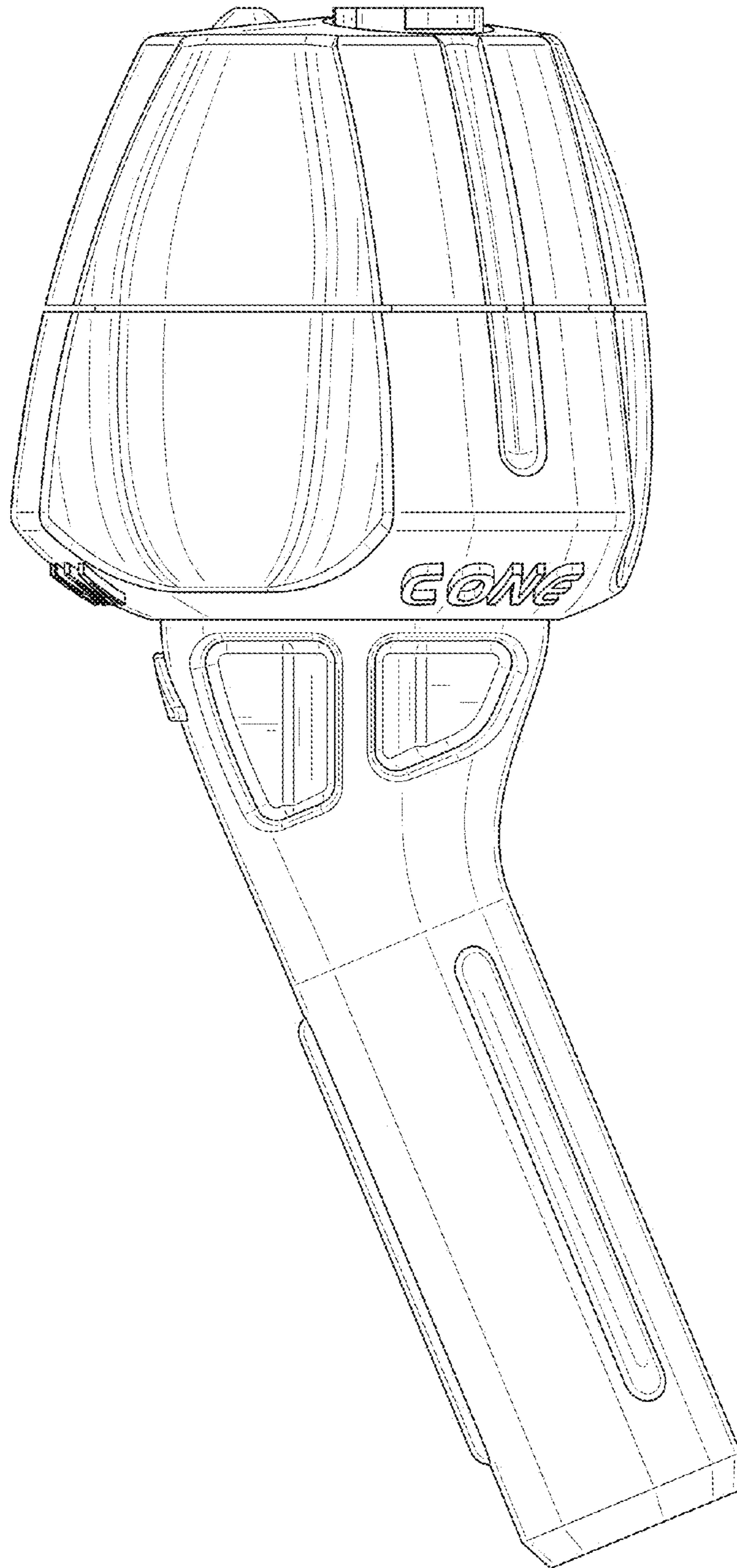


FIG. 3

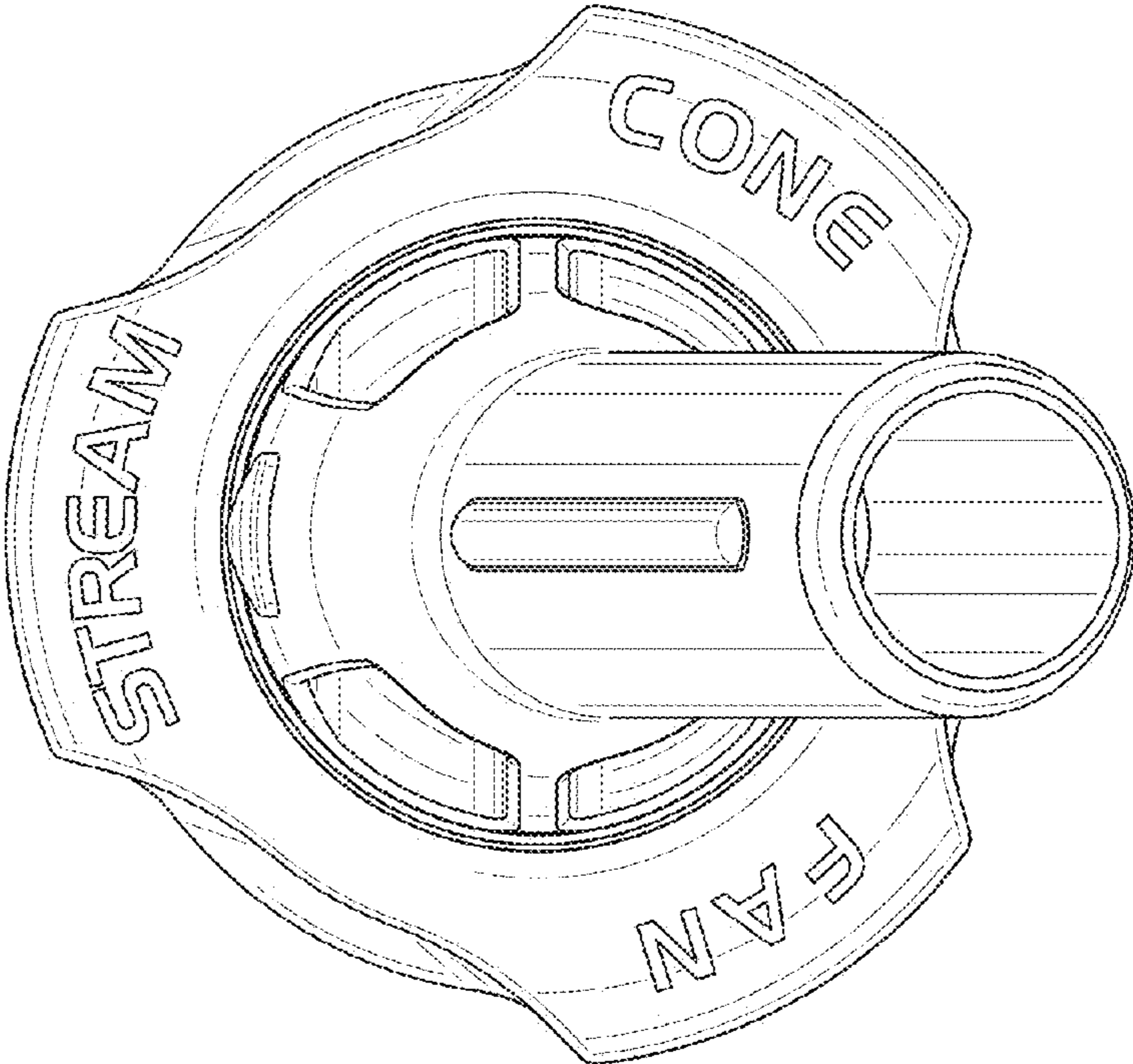


FIG. 5

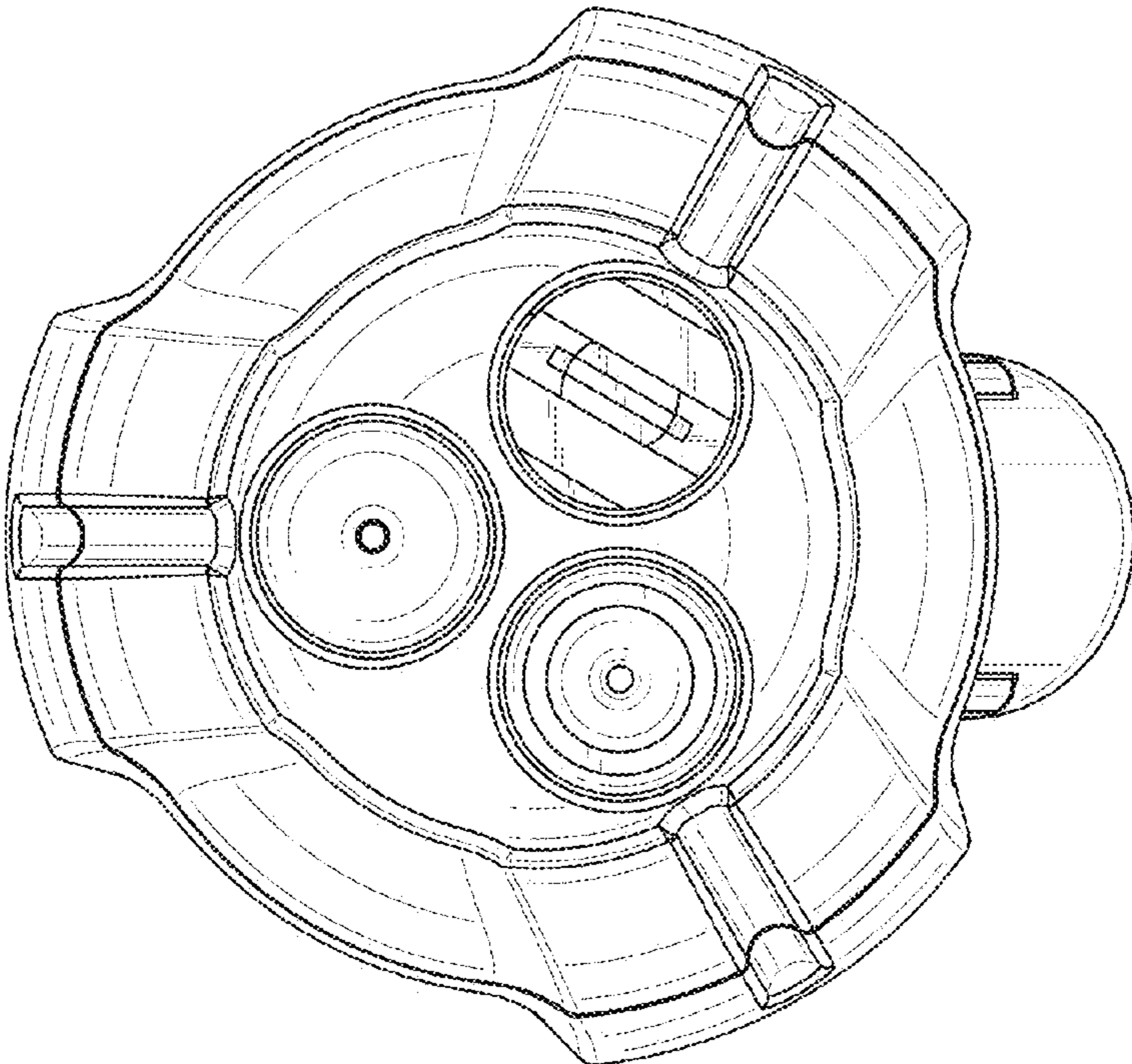


FIG. 4

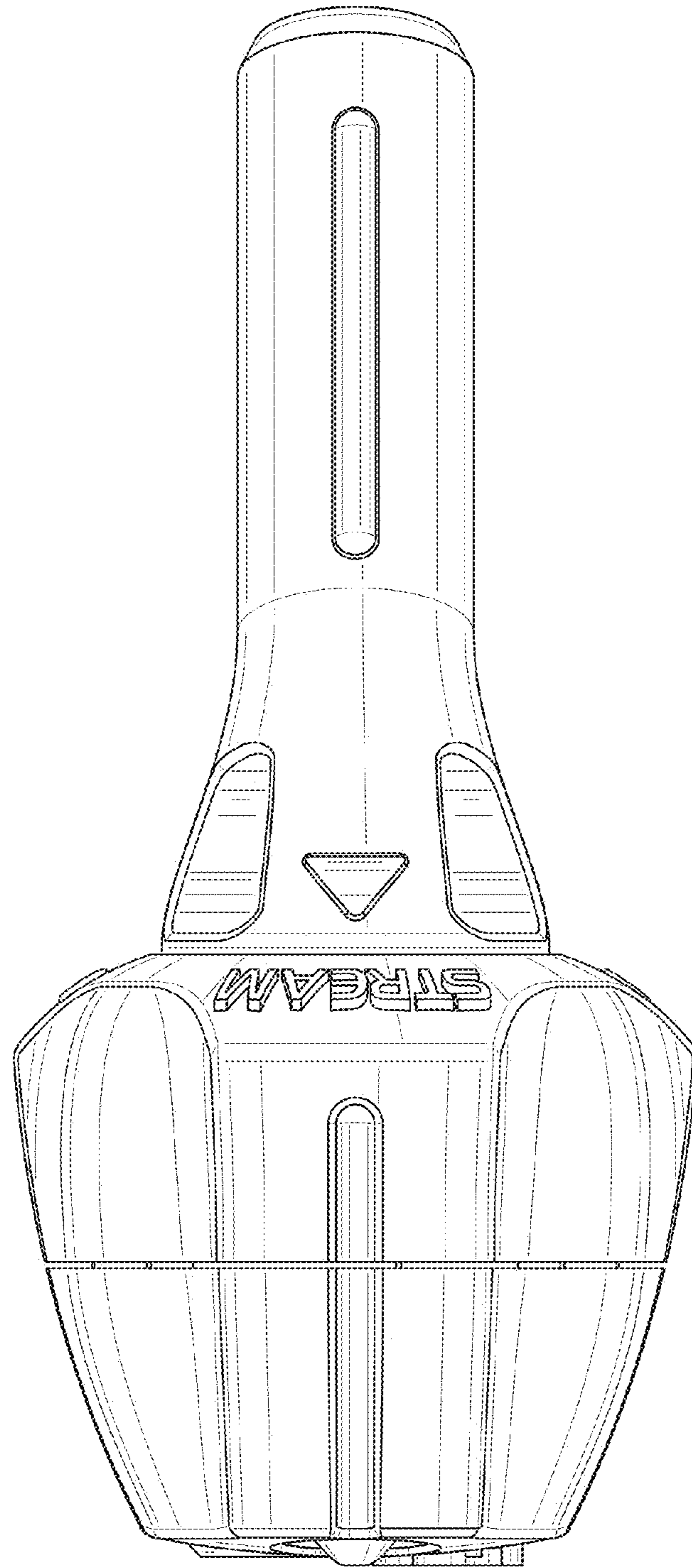


FIG. 6

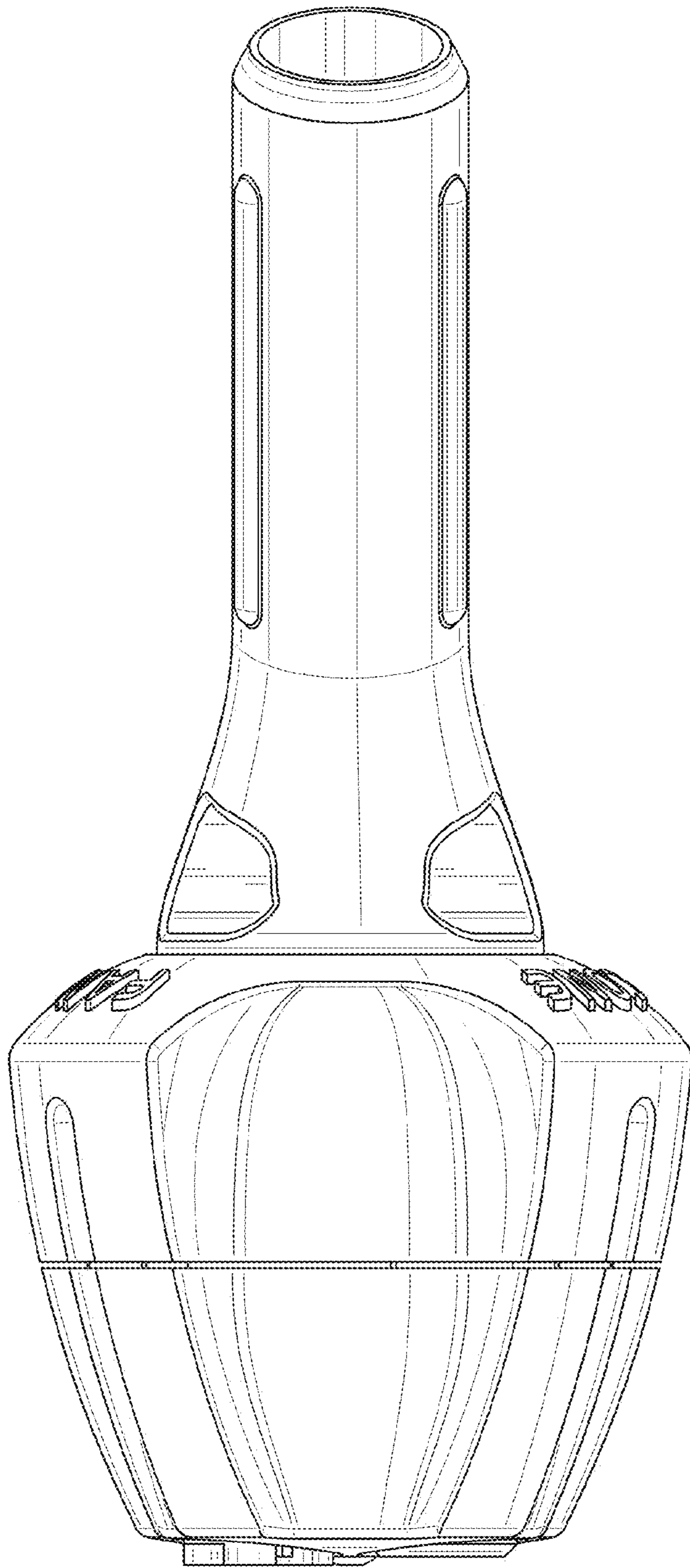


FIG. 7

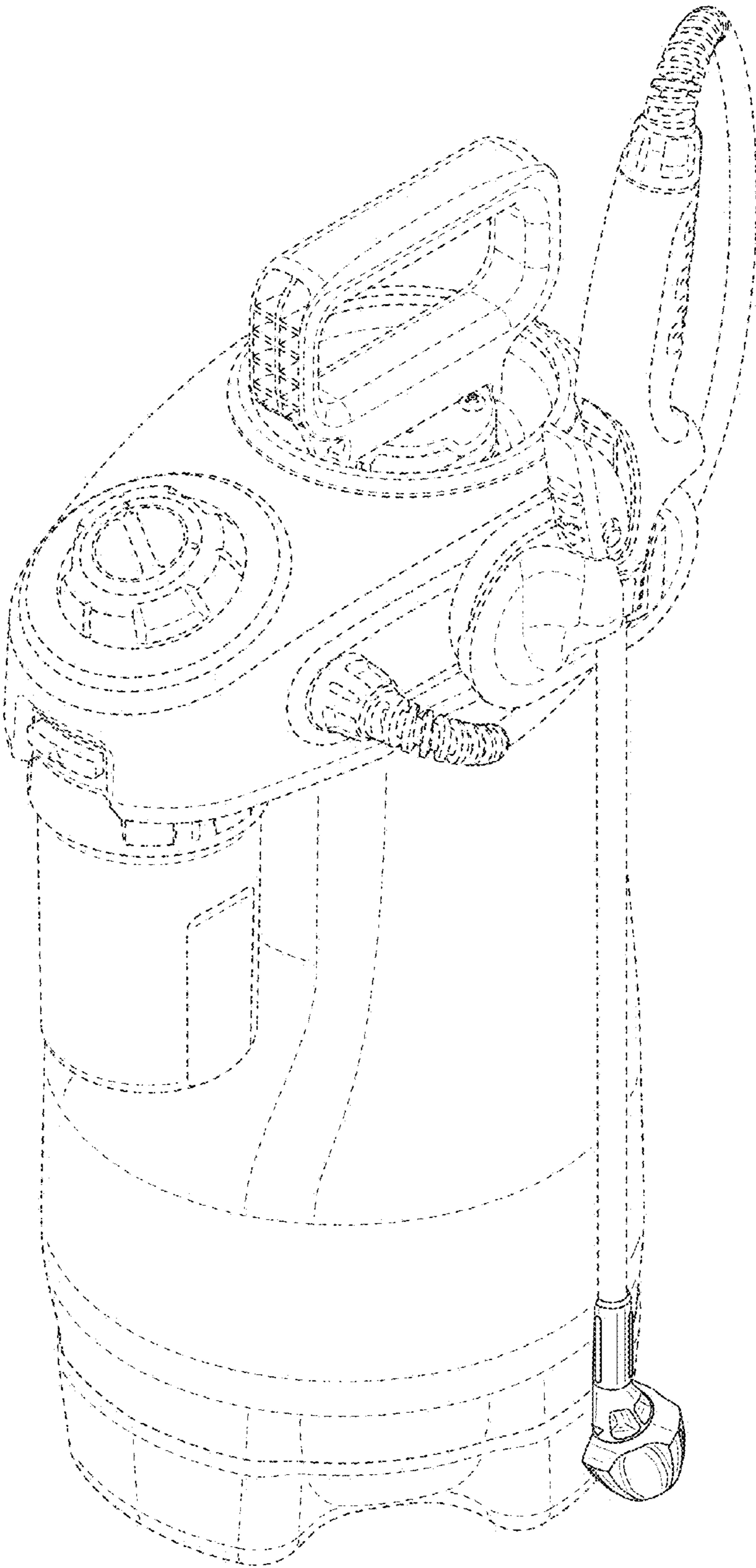


FIG. 8