



US00D709163S

(12) **United States Design Patent**  
**Deruntz et al.**

(10) **Patent No.:** **US D709,163 S**  
(45) **Date of Patent:** **\*\* Jul. 15, 2014**

- (54) **GAS CYLINDER CAP**
- (71) Applicant: **Coravin, LLC**, Burlington, MA (US)
- (72) Inventors: **Otto Deruntz**, Dunstable, MA (US);  
**Mike Rider**, Lowell, MA (US); **Steffen F. Koury**, Everett, MA (US)
- (73) Assignee: **Coravin, LLC**, Burlington, MA (US)
- (\*\*) Term: **14 Years**

4,944,424	A *	7/1990	Wood, Jr.	.....	220/724
5,158,204	A *	10/1992	Martrich et al.	.....	220/727
D334,967	S *	4/1993	Kitsuda	.....	D23/206
6,415,946	B2 *	7/2002	Carlo et al.	.....	220/724
6,854,616	B2 *	2/2005	Steffan	.....	220/270
D576,702	S *	9/2008	Aguiar et al.	.....	D23/206
D645,537	S *	9/2011	Squires et al.	.....	D23/206
D647,997	S *	11/2011	Squires et al.	.....	D23/206
8,528,586	B2 *	9/2013	Cannet et al.	.....	137/382
D692,979	S *	11/2013	Quick et al.	.....	D23/206
D692,980	S *	11/2013	Quick et al.	.....	D23/206

\* cited by examiner

- (21) Appl. No.: **29/448,213**
- (22) Filed: **Mar. 11, 2013**
- (51) **LOC (10) Cl.** ..... **23-01**
- (52) **U.S. Cl.**  
USPC ..... **D23/206**
- (58) **Field of Classification Search**  
USPC ..... D23/206; 220/724, 726, 582; 137/377,  
137/382  
See application file for complete search history.

*Primary Examiner* — Robin V Webster  
(74) *Attorney, Agent, or Firm* — Wolf, Greenfield & Sacks, P.C.

(57) **CLAIM**  
The ornamental design for a gas cylinder cap, as shown and described.

**DESCRIPTION**

FIG. 1 is a perspective view of a gas cylinder cap;  
FIG. 2 is a side view of the FIG. 1 cap;  
FIG. 3 is a top view of the FIG. 1 cap;  
FIG. 4 is a bottom view of the FIG. 1 cap; and,  
FIG. 5 shows the FIG. 1 cap engaged with a gas cylinder.  
The broken lines of FIG. 5 illustrate portions of the gas cylinder cap that form no part of the claimed design.

**1 Claim, 4 Drawing Sheets**

- (56) **References Cited**  
U.S. PATENT DOCUMENTS  
1,552,979 A \* 9/1925 Billings ..... 220/724  
4,332,331 A \* 6/1982 Fawley ..... 220/726  
4,651,888 A \* 3/1987 Wood, Jr. .... 220/724



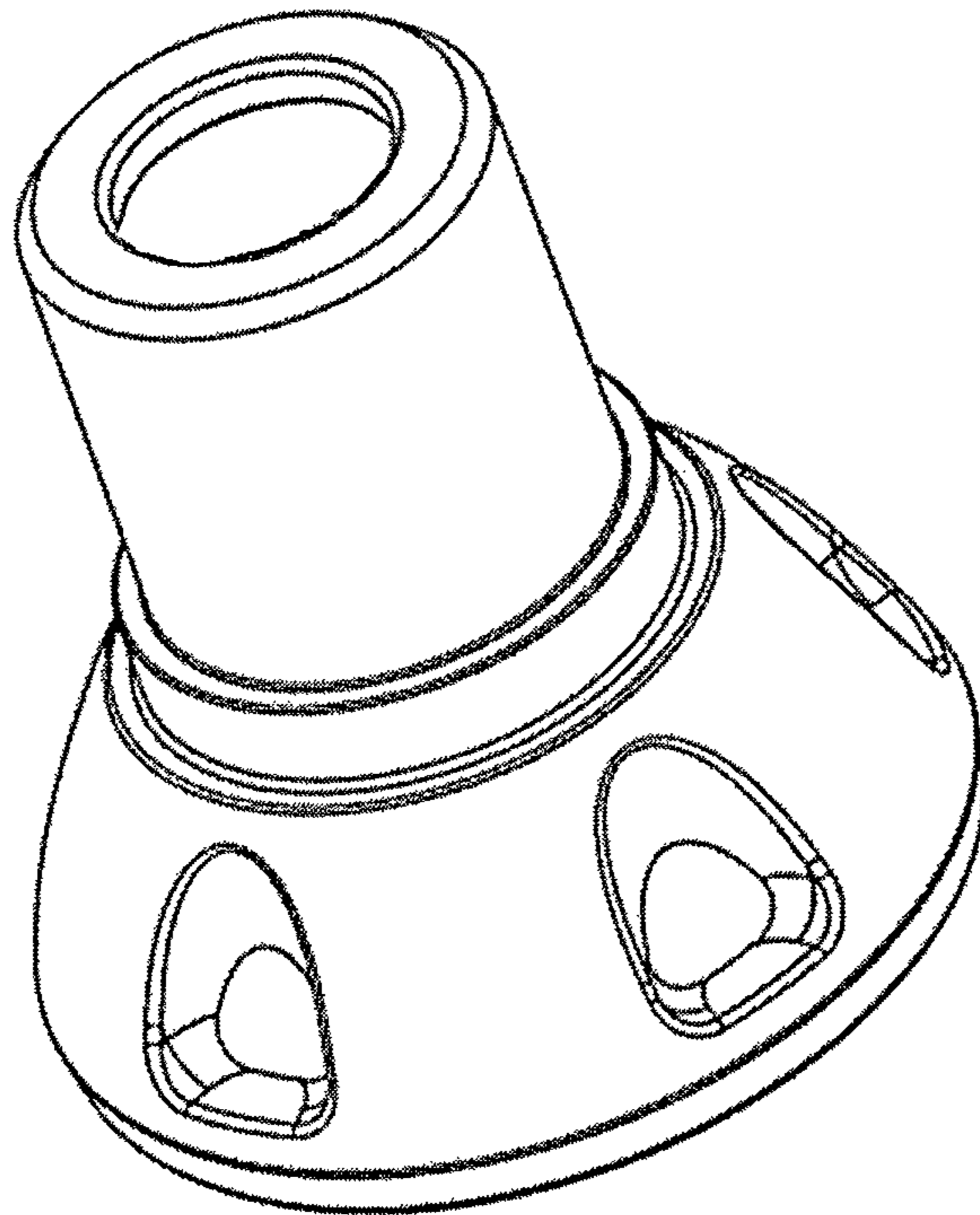


FIG. 1

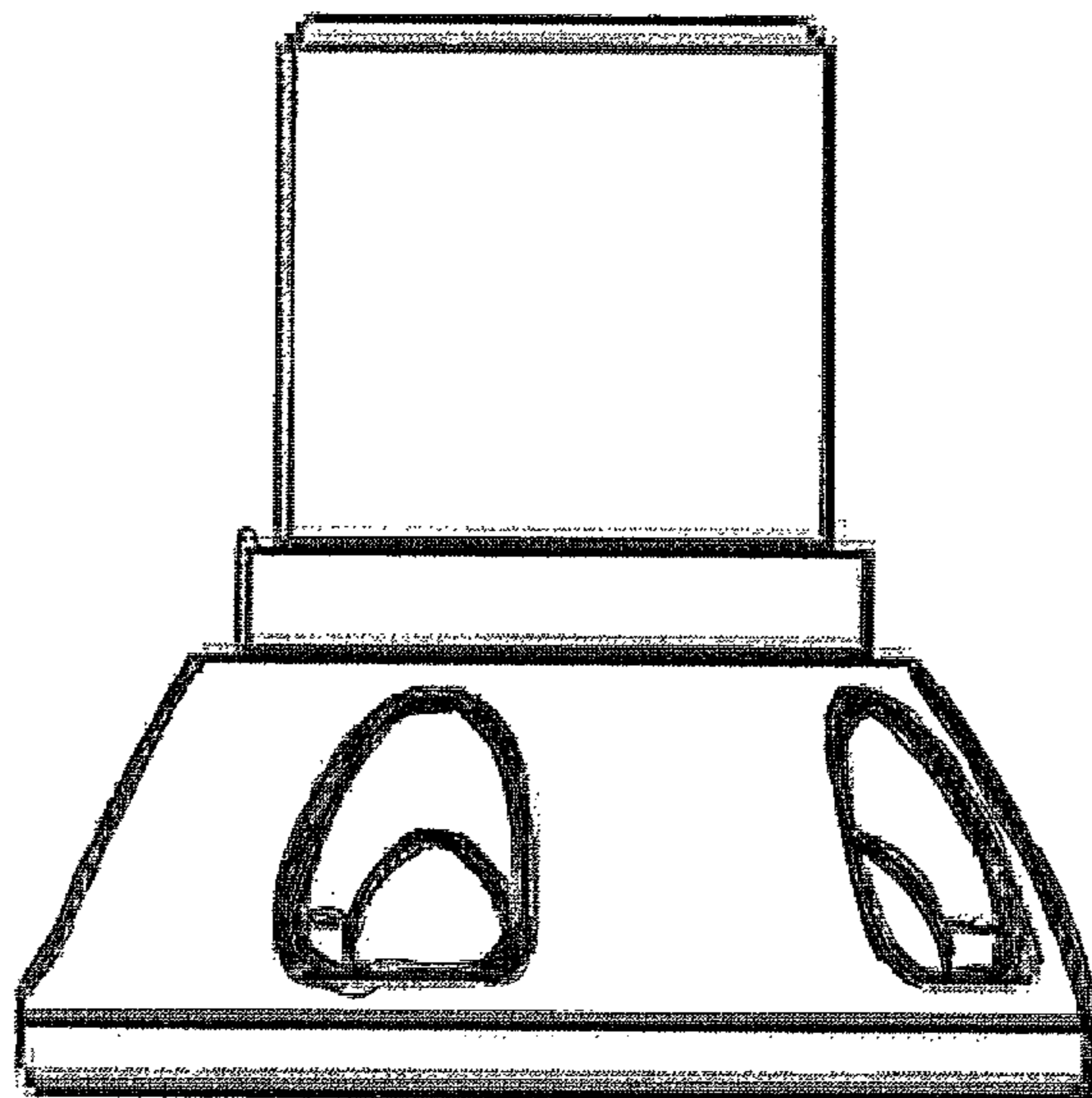


FIG. 2

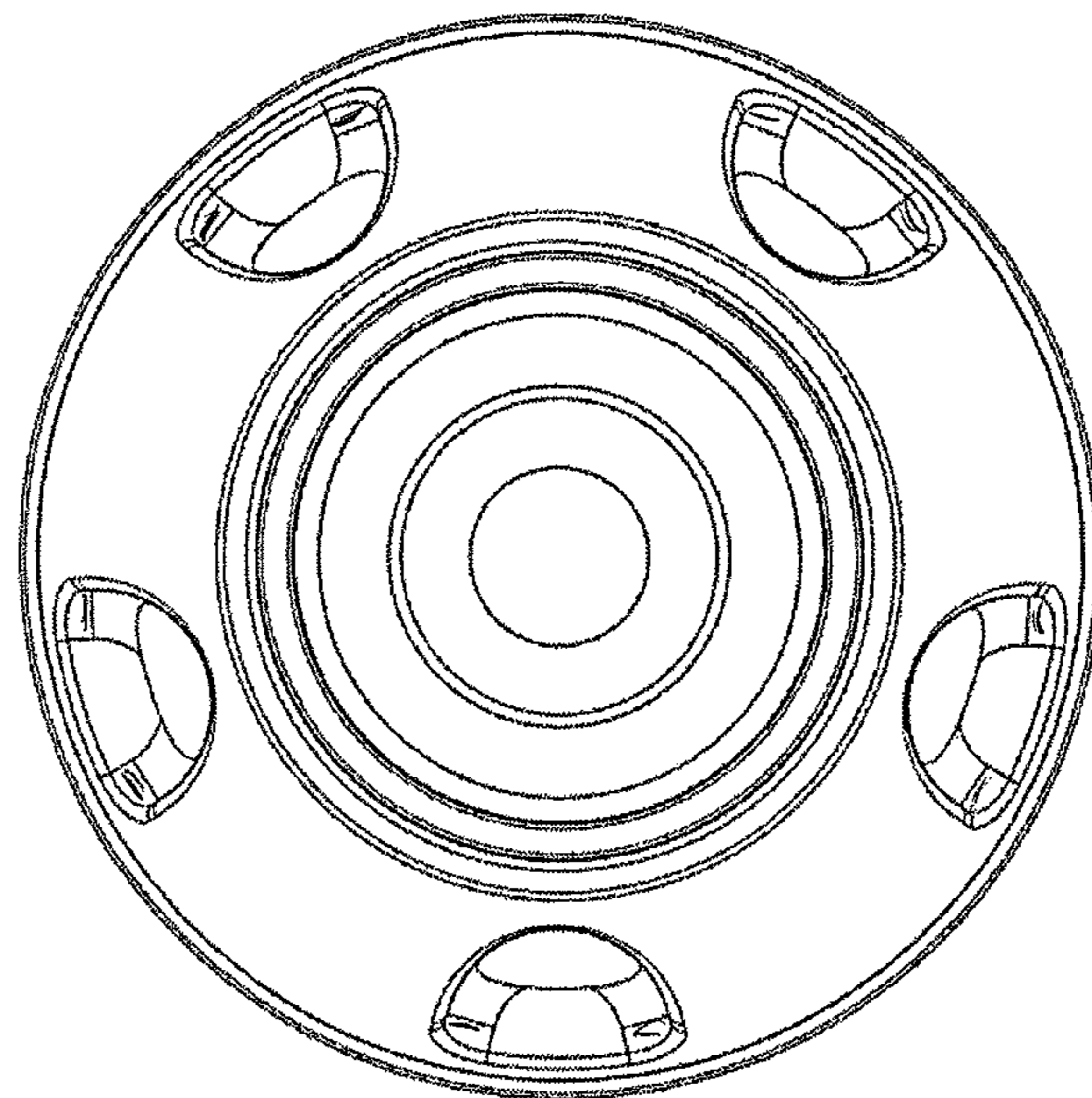


FIG. 3

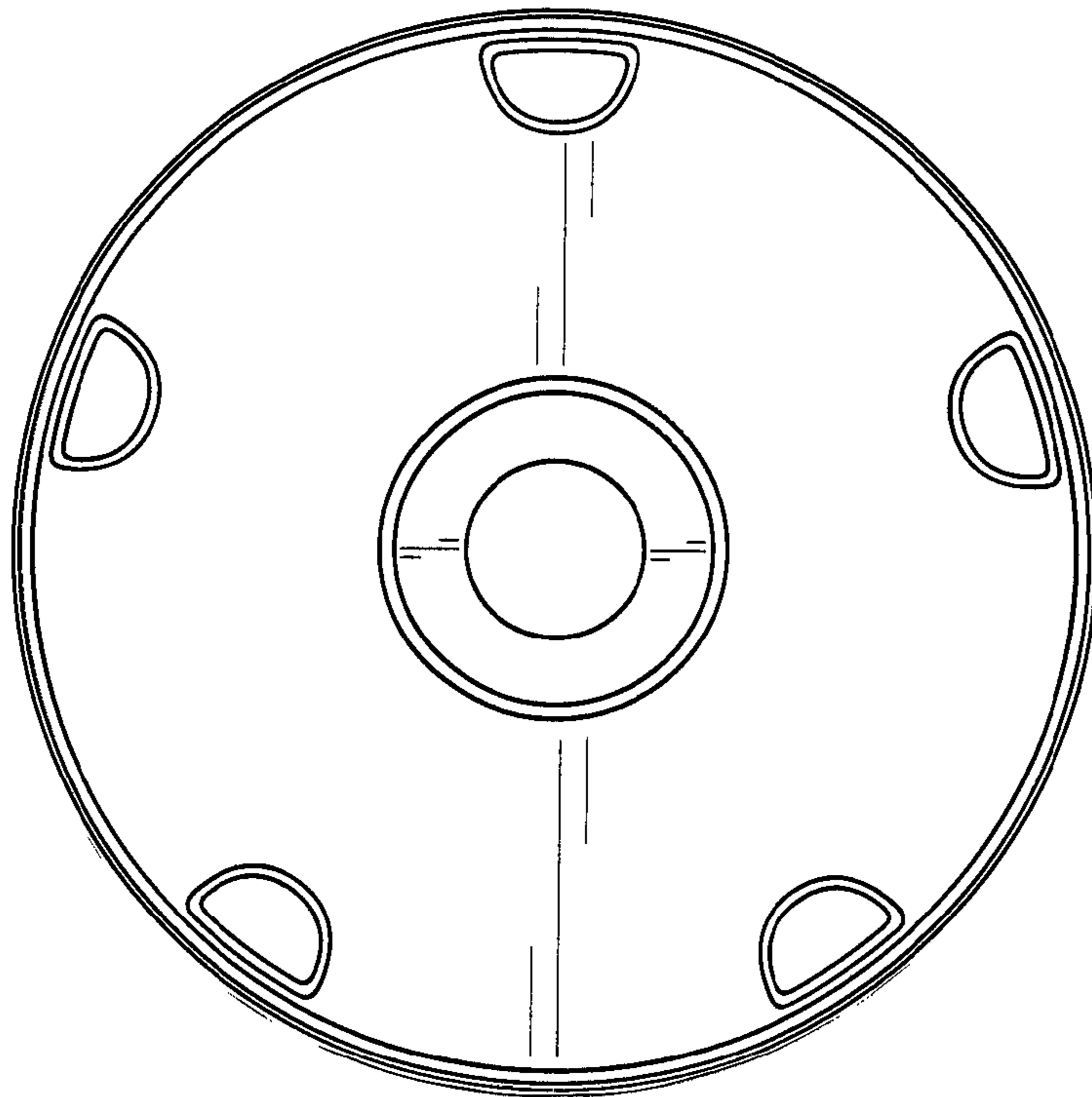


FIG. 4



FIG. 5

UNITED STATES PATENT AND TRADEMARK OFFICE  
**CERTIFICATE OF CORRECTION**

PATENT NO. : D709,163 S  
APPLICATION NO. : 29/448213  
DATED : July 15, 2014  
INVENTOR(S) : Otto Deruntz et al.

Page 1 of 6

It is certified that error appears in the above-identified patent and that said Letters Patent is hereby corrected as shown below:

The Title Page, showing an illustrative Figure, should be deleted and substitute therefor the attached Title Page.

In the Drawings:

Delete Figures 1-5 and replace with attached Figures 1-5.

Signed and Sealed this  
Twenty-first Day of April, 2015



Michelle K. Lee  
*Director of the United States Patent and Trademark Office*

(12) **United States Design Patent**  
**Deruntz et al.**

(10) **Patent No.:** **US D709,163 S**  
(45) **Date of Patent:** **\*\* Jul. 15, 2014**

- (54) **GAS CYLINDER CAP**
- (71) **Applicant:** Coravin, LLC, Burlington, MA (US)
- (72) **Inventors:** Otto Deruntz, Dunstable, MA (US);  
Mike Rider, Lowell, MA (US); Steffen  
F. Koury, Everett, MA (US)
- (73) **Assignee:** Coravin, LLC, Burlington, MA (US)
- (\*\*) **Term:** 14 Years
- (21) **Appl. No.:** 29/448,213
- (22) **Filed:** Mar. 11, 2013
- (51) **LOC (10) Cl.** ..... 23-01
- (52) **U.S. Cl.**  
USPC ..... **D23/206**
- (58) **Field of Classification Search**  
USPC ..... D23/206; 220/724, 726, 582; 137/377,  
137/382  
See application file for complete search history.

4,944,424 A *	7/1990	Wood, Jr. ....	220/724
5,158,204 A *	10/1992	Martrich et al. ....	220/727
D334,967 S *	4/1993	Kitsuda ....	D23/206
6,415,946 B2 *	7/2002	Carlo et al. ....	220/724
6,854,616 B2 *	2/2005	Steffan ....	220/270
D576,702 S *	9/2008	Aguilar et al. ....	D23/206
D645,537 S *	9/2011	Squires et al. ....	D23/206
D647,997 S *	11/2011	Squires et al. ....	D23/206
8,528,586 B2 *	9/2013	Cannel et al. ....	137/382
D692,979 S *	11/2013	Quick et al. ....	D23/206
D692,980 S *	11/2013	Quick et al. ....	D23/206

\* cited by examiner

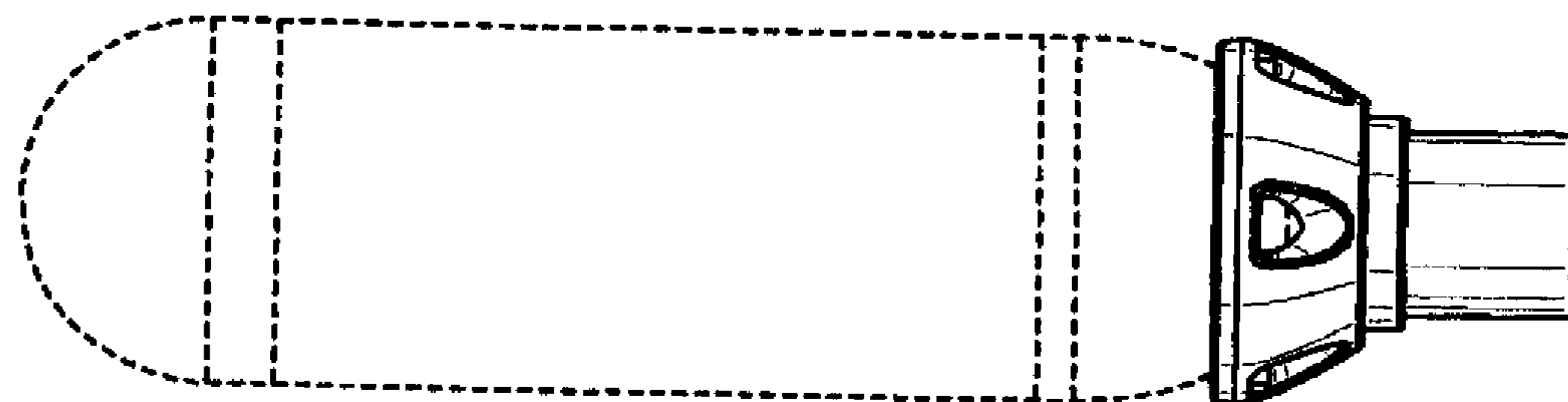
*Primary Examiner* — Robin V Webster  
(74) *Attorney, Agent, or Firm* — Wolf, Greenfield & Sacks,  
P.C.

(57) **CLAIM**  
The ornamental design for a gas cylinder cap, as shown and  
described.

**DESCRIPTION**

FIG. 1 is a perspective view of a gas cylinder cap;  
FIG. 2 is a side view of the FIG. 1 cap;  
FIG. 3 is a top view of the FIG. 1 cap;  
FIG. 4 is a bottom view of the FIG. 1 cap; and,  
FIG. 5 shows the FIG. 1 cap engaged with a gas cylinder.  
The broken lines of FIG. 5 illustrate portions of the gas  
cylinder cap that form no part of the claimed design.

**1 Claim, 4 Drawing Sheets**



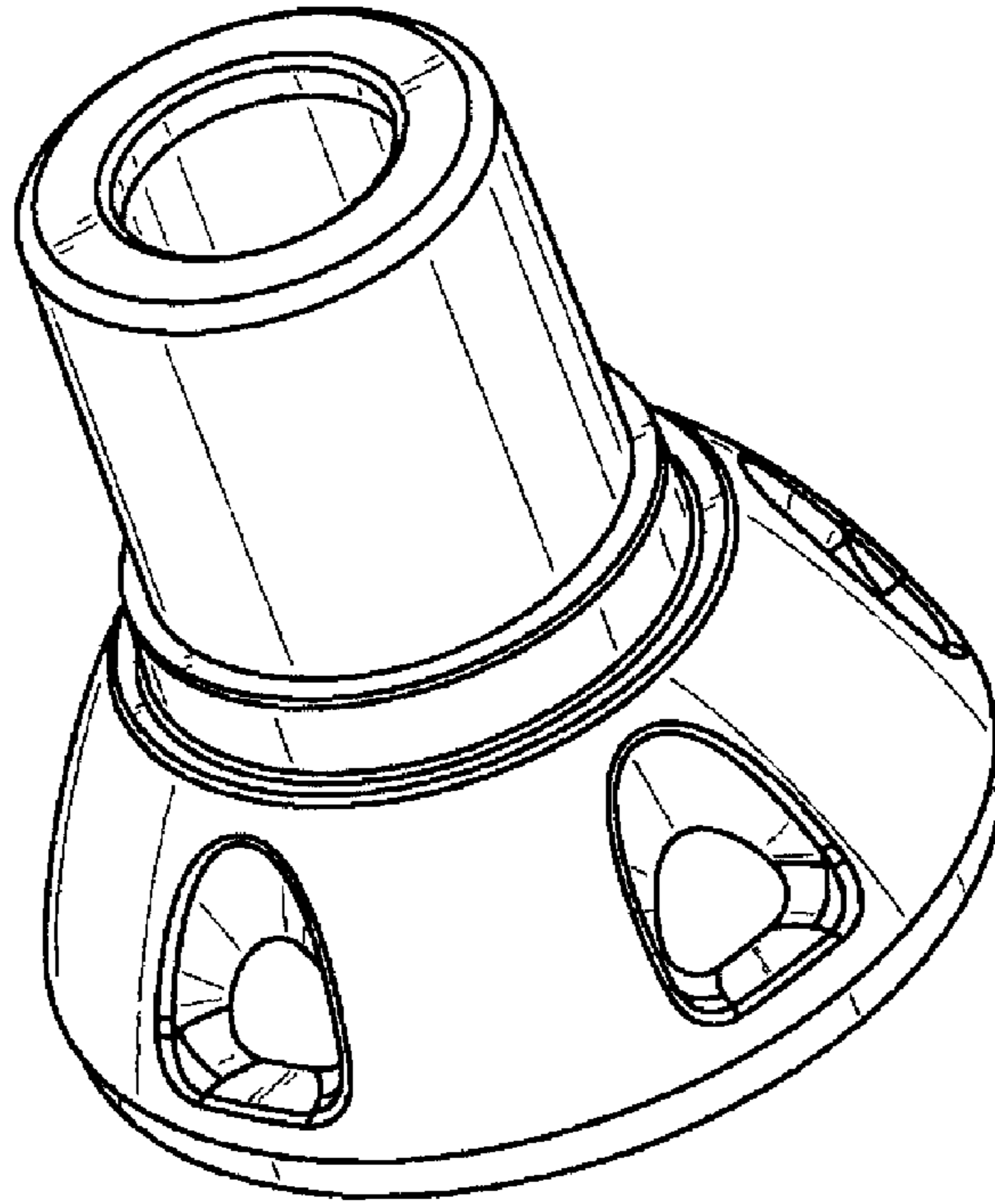


FIG. 1

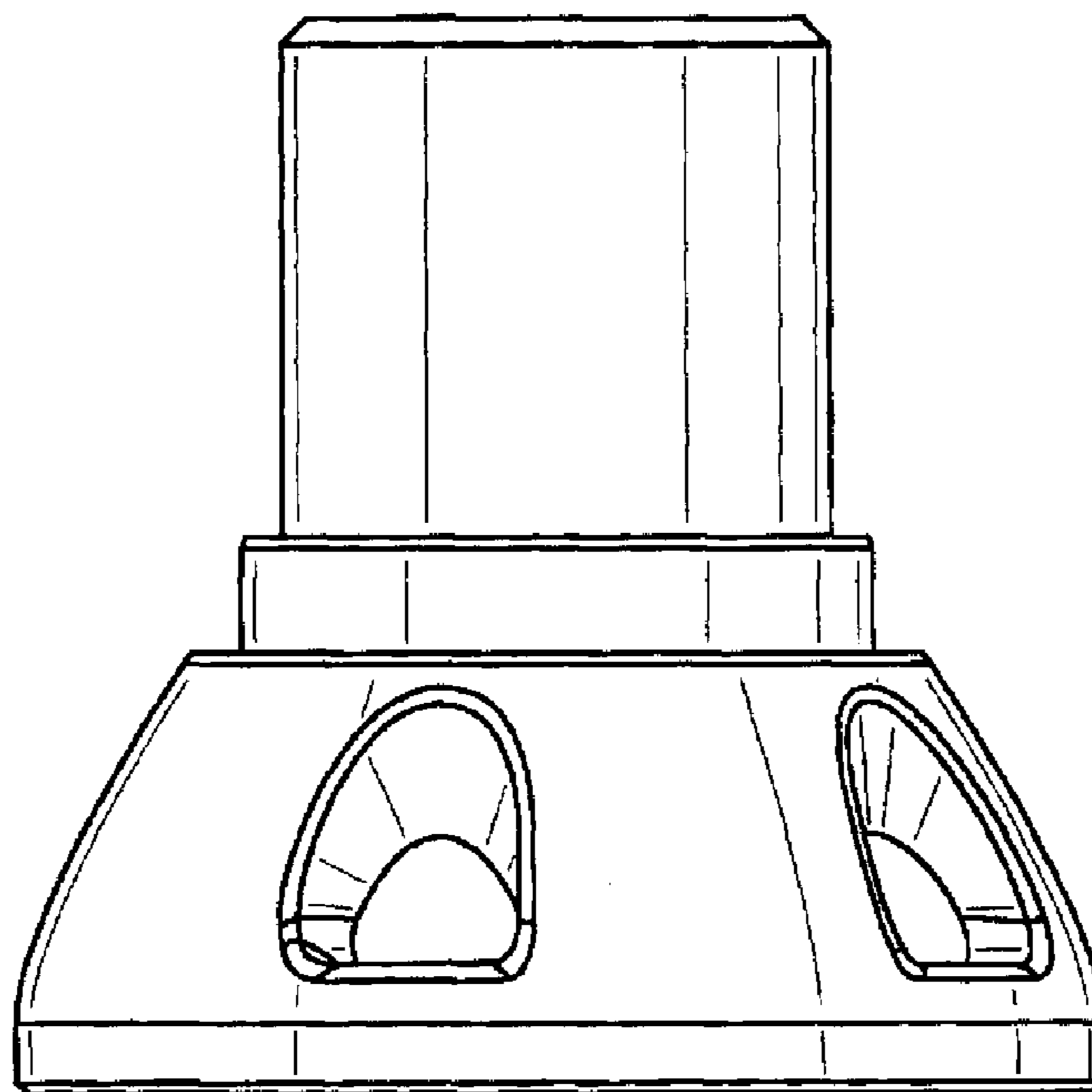


FIG. 2



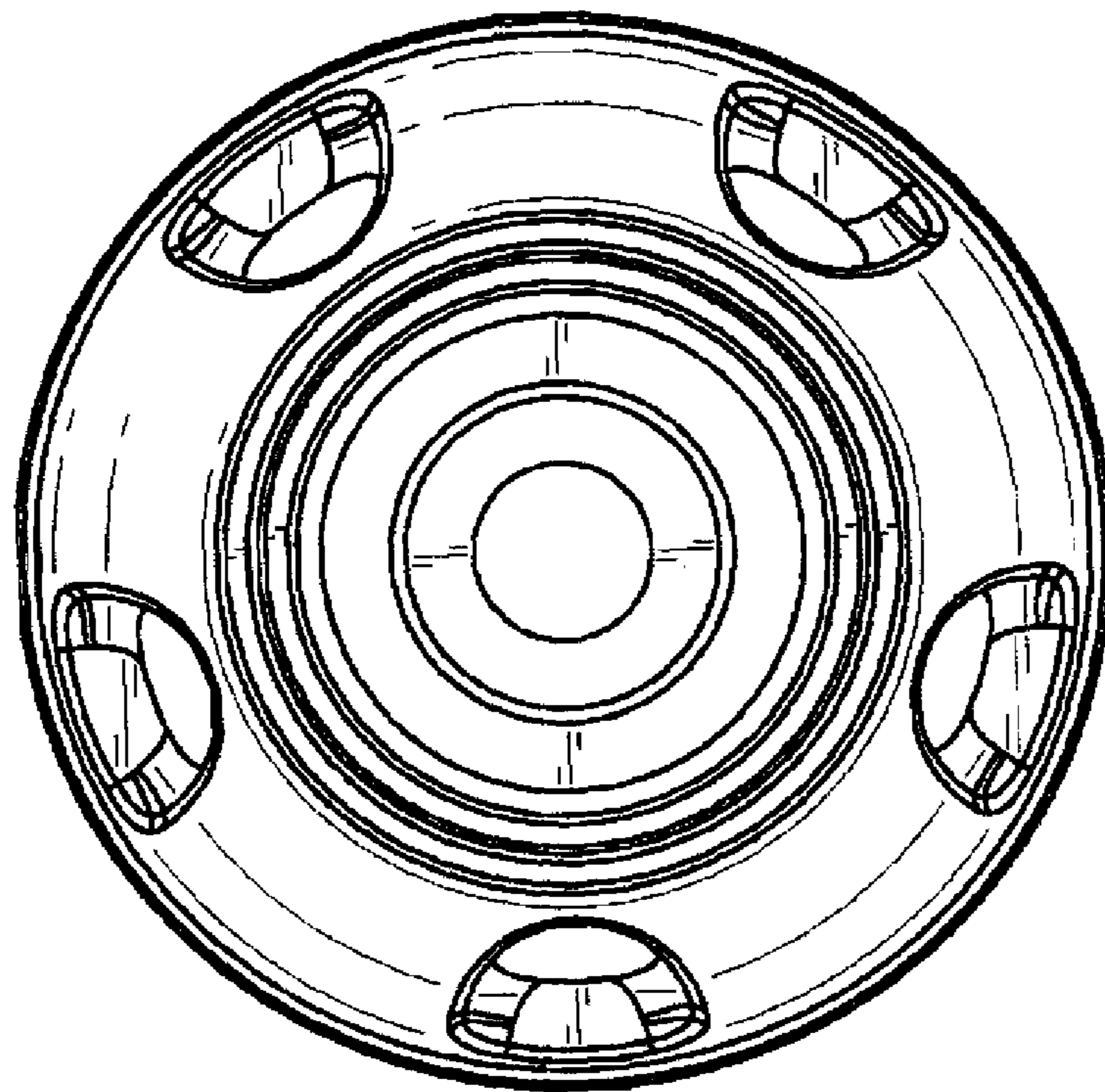


FIG. 3

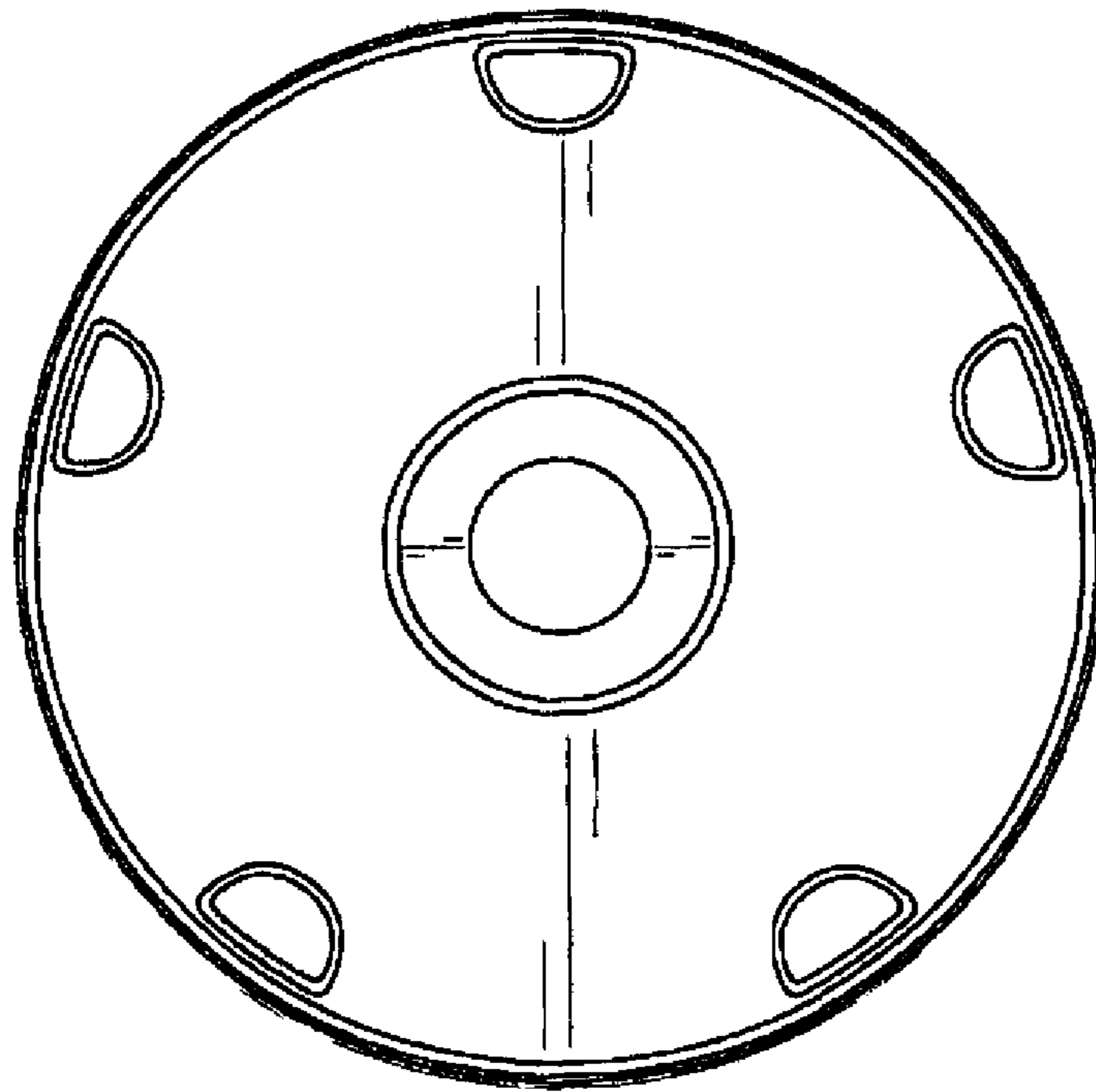


FIG. 4

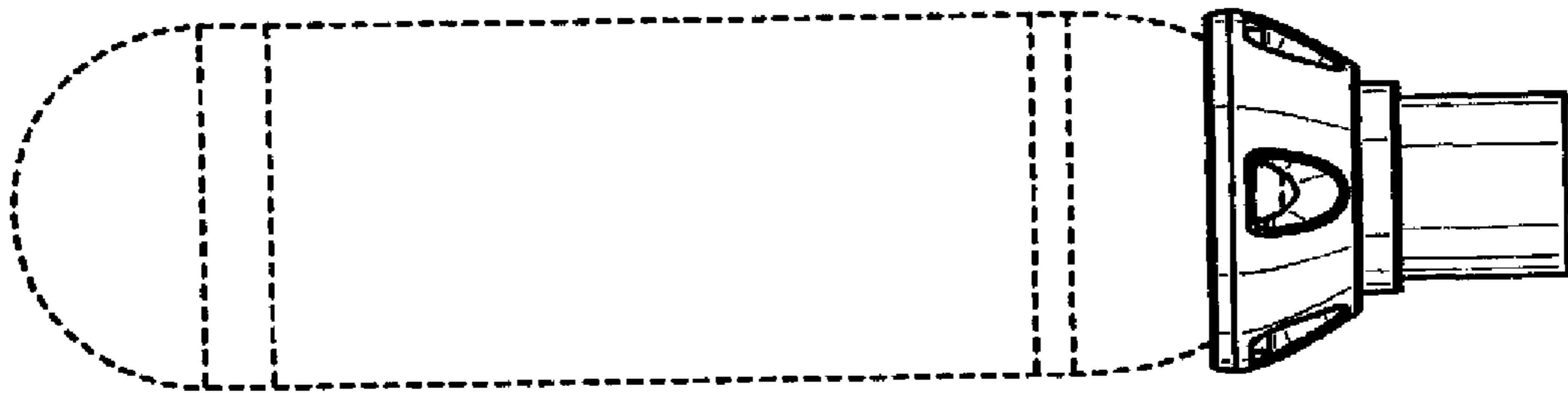


FIG. 5