



US00D709162S

(12) **United States Design Patent**  
**Yelton**

(10) **Patent No.:** **US D709,162 S**  
(45) **Date of Patent:** **\*\* Jul. 15, 2014**

- (54) **LURE BODY**
- (71) Applicant: **James Joseph Yelton**, Rushsylvania, OH (US)
- (72) Inventor: **James Joseph Yelton**, Rushsylvania, OH (US)
- (\*\*) Term: **14 Years**
- (21) Appl. No.: **29/447,264**
- (22) Filed: **Mar. 1, 2013**
- (51) **LOC (10) Cl.** ..... **22-05**
- (52) **U.S. Cl.**  
USPC ..... **D22/144**
- (58) **Field of Classification Search**  
CPC ..... A01K 85/00; A01K 85/005; A01K 85/01;  
A01K 85/02; A01K 85/10; A01K 85/14  
USPC ..... D22/126–133, 144–145; 43/42.02,  
43/42.11, 42.13, 42.14, 42.15, 42.22,  
43/42.28, 42.39, 42.47, 44.83  
See application file for complete search history.

7,421,820 B2 *	9/2008	Harrell	.....	43/42.39
D625,384 S *	10/2010	Rush	.....	D22/126
7,877,923 B2 *	2/2011	Dudley	.....	43/42.39
8,186,096 B2 *	5/2012	Rubin et al.	.....	43/44.83
D697,165 S *	1/2014	Lorentz	.....	D22/144

\* cited by examiner

*Primary Examiner* — Catheri Oliver-Garcia

(57) **CLAIM**

The ornamental design for a lure body, as shown and described above.

**DESCRIPTION**

FIG. 1 is a side perspective view of an embodiment of a lure body showing a new design;  
 FIG. 2 is a close-up side perspective view of the Fig. device;  
 FIG. 3 is a front view of the FIG. 1 device;  
 FIG. 4 is a right side view of the FIG. 1 device;  
 FIG. 5 is a bottom view of the FIG. 1 device;  
 FIG. 6 is a left side view of the FIG. 1 device;  
 FIG. 7 is a top view of the FIG. 1 device; and,  
 FIG. 8 is a rear view of the FIG. 1 device.

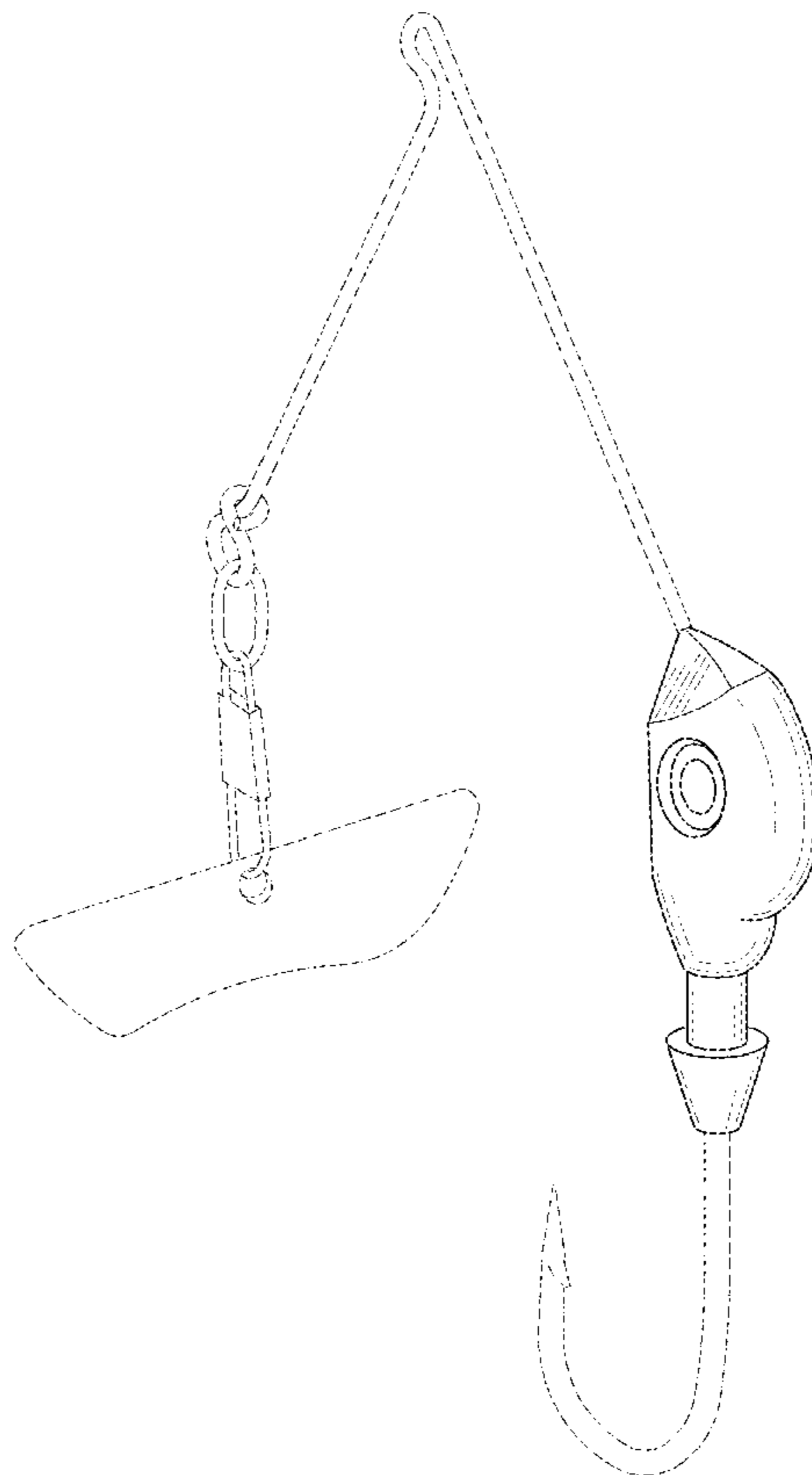
The broken line showing of environment in the drawings is included for the purpose of illustrating only and forms no part of the claimed design.

(56) **References Cited**

**U.S. PATENT DOCUMENTS**

D425,599 S *	5/2000	Lummis	.....	D22/133
D450,368 S *	11/2001	Lummis	.....	D22/129
D560,749 S *	1/2008	Moore	.....	D22/144

**1 Claim, 4 Drawing Sheets**



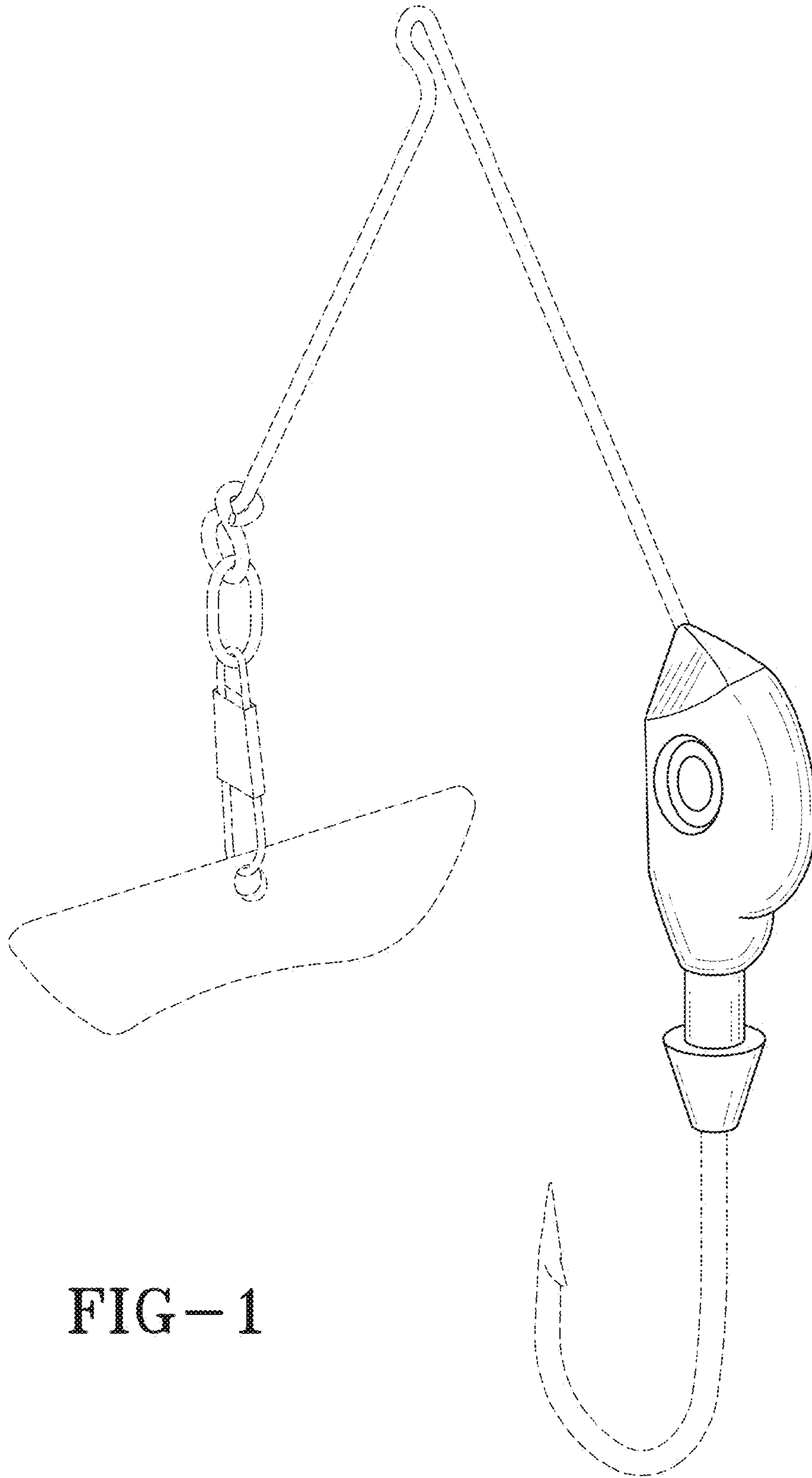
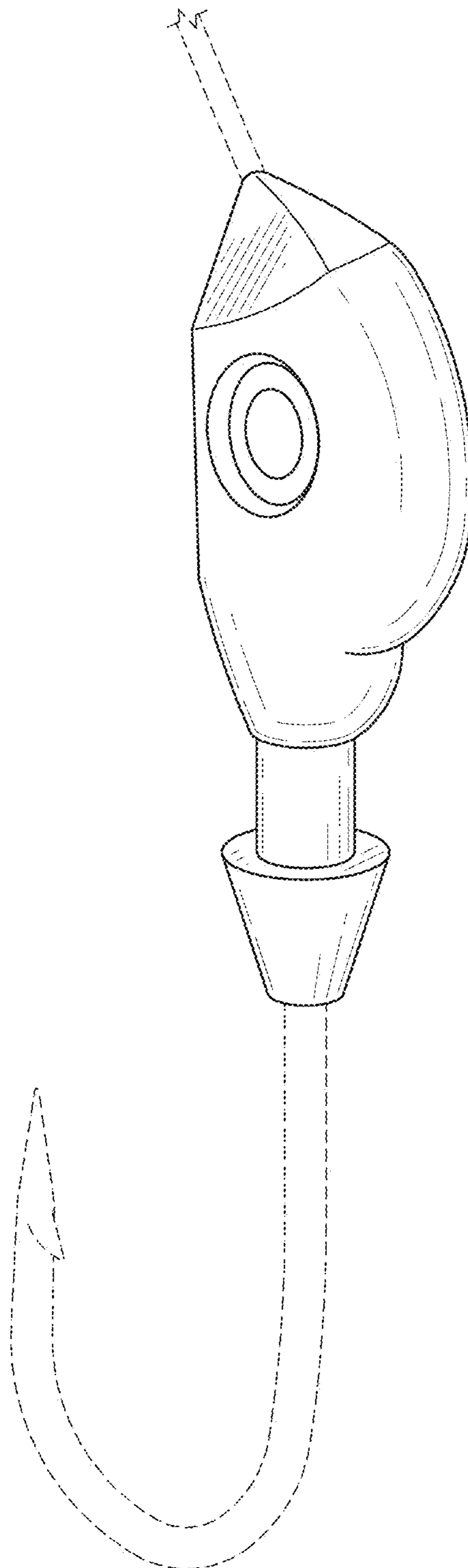


FIG-1

FIG-2



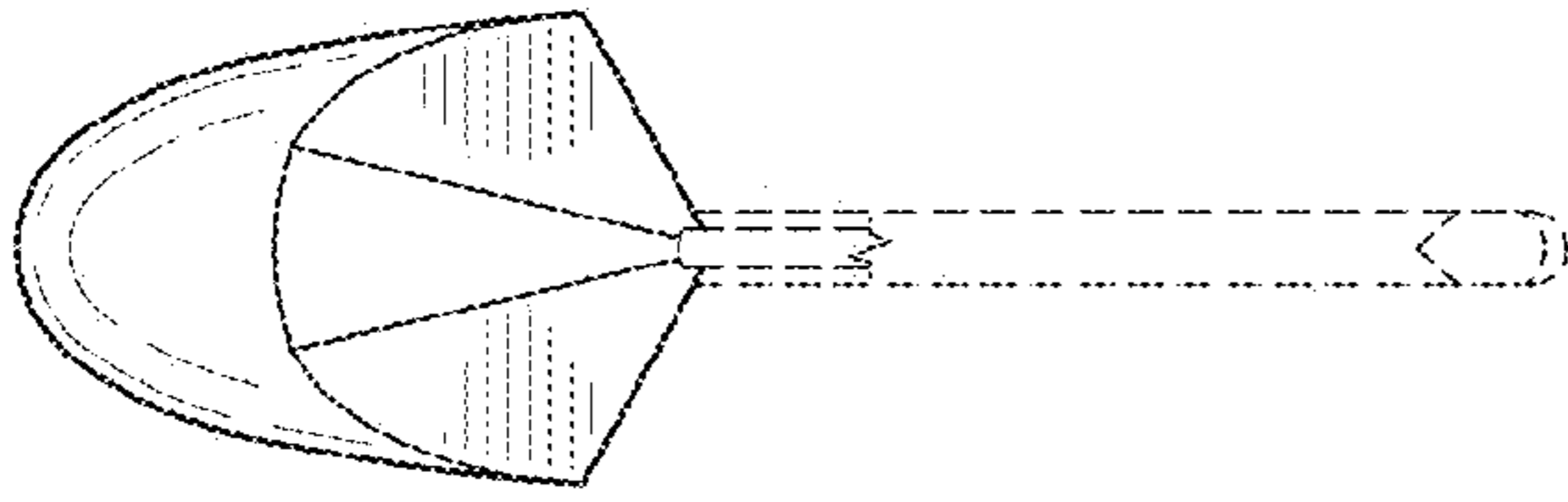


FIG-3

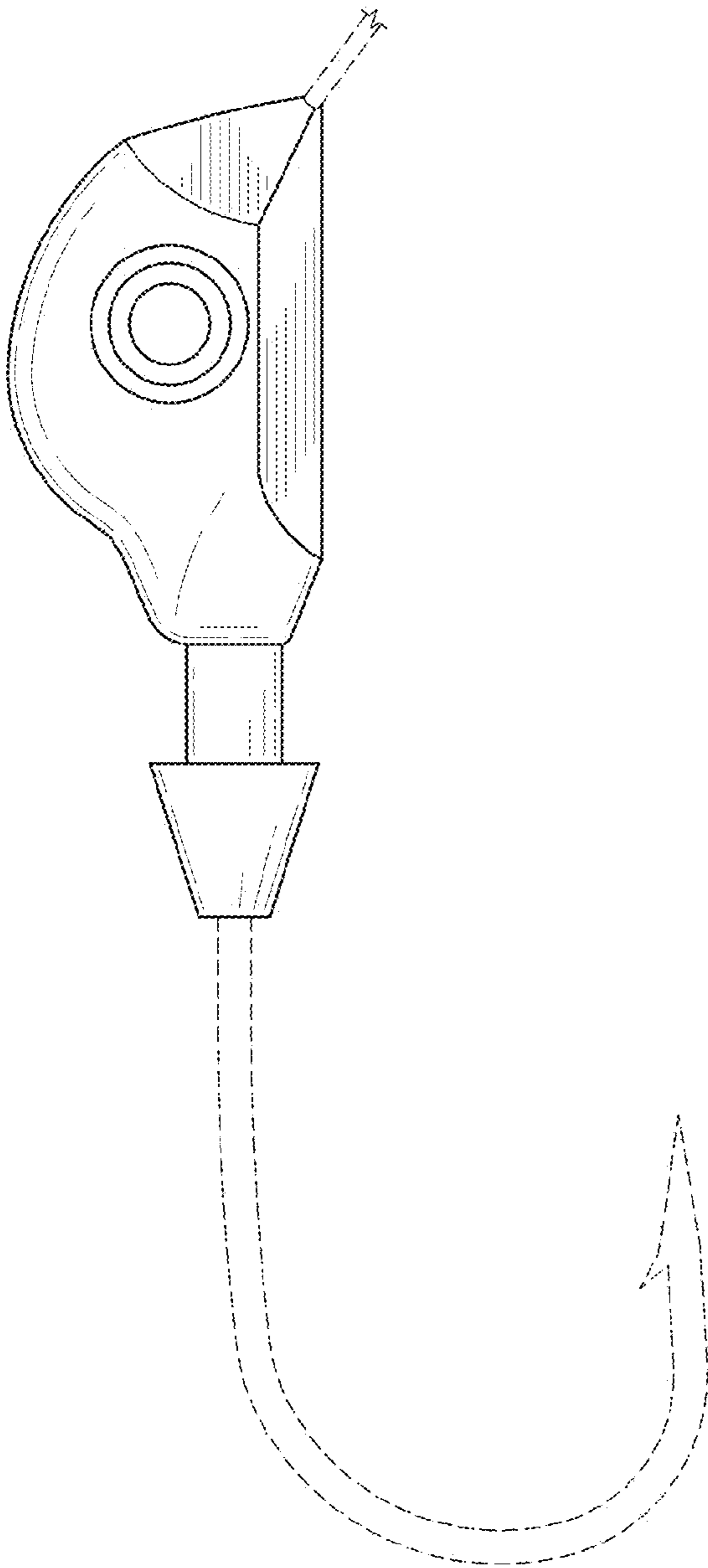


FIG-4

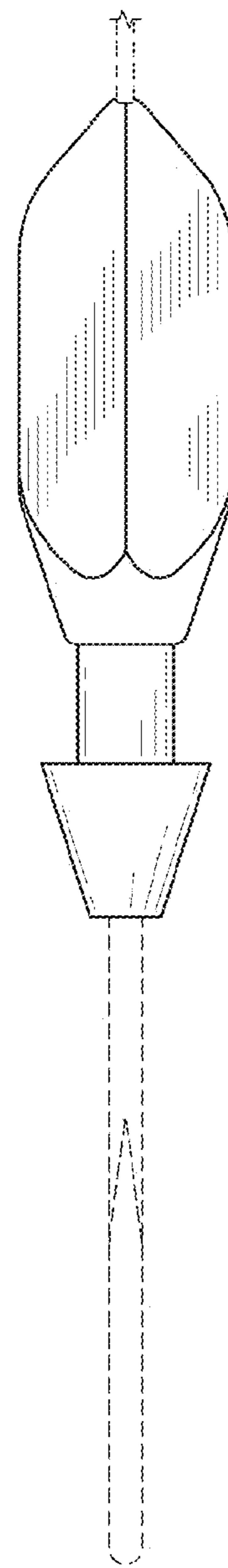


FIG-5

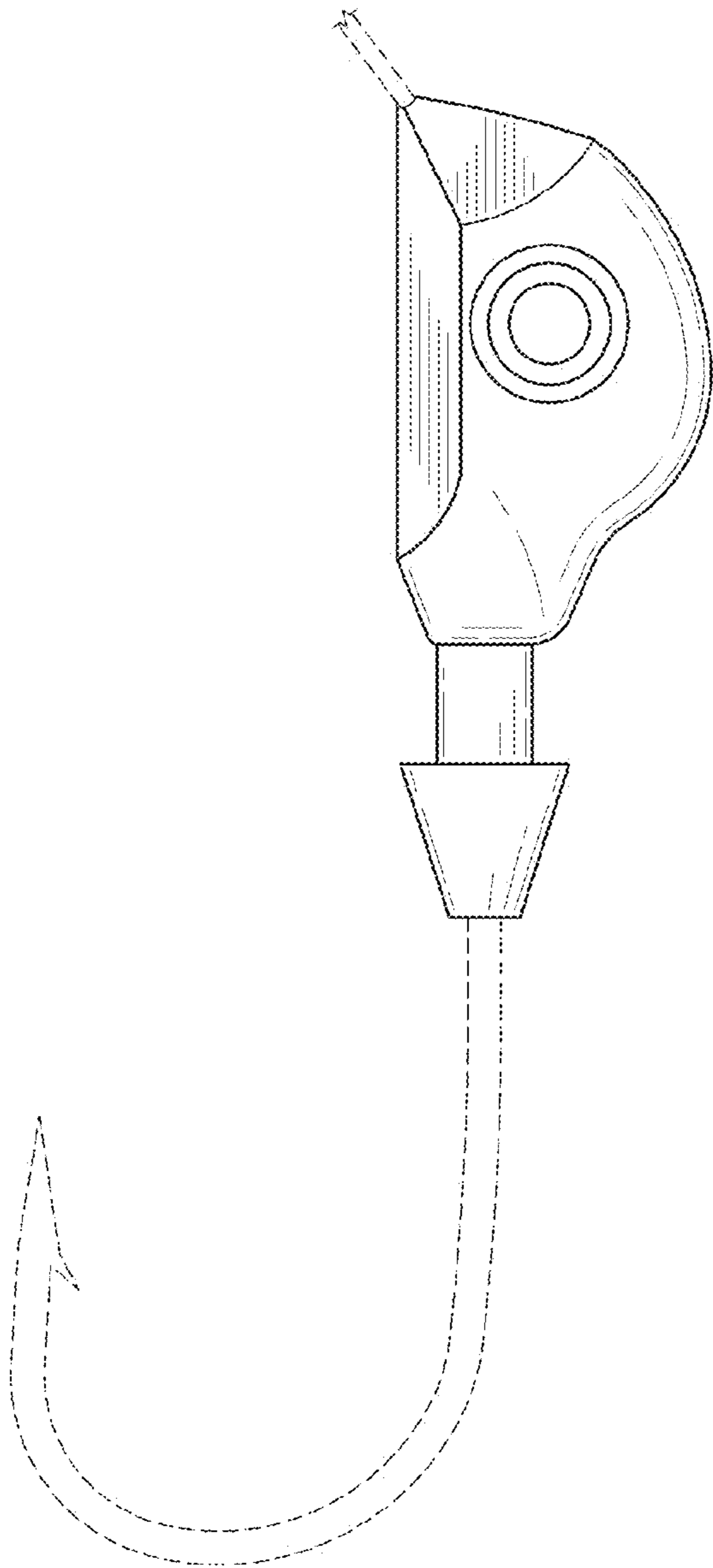


FIG-6

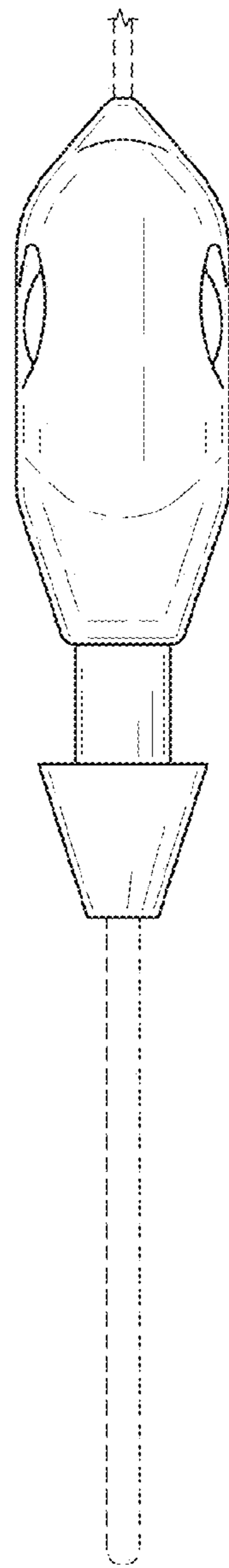


FIG-7

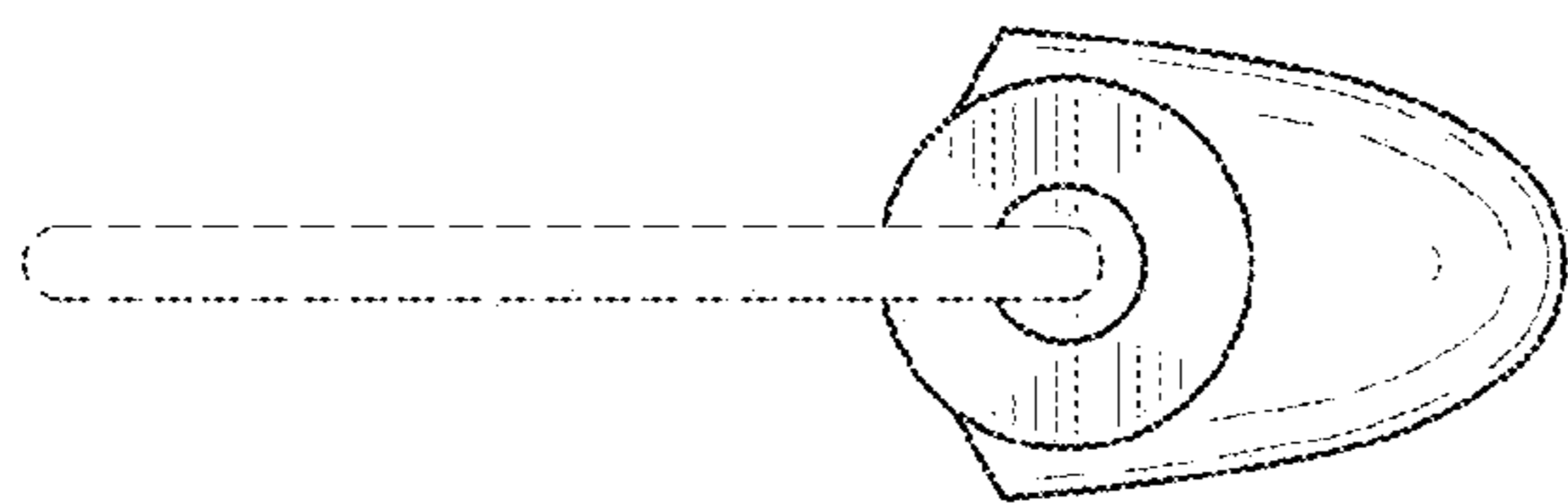


FIG-8