



US00D709160S

(12) **United States Design Patent**  
**Rogers et al.**

(10) **Patent No.:** **US D709,160 S**  
(45) **Date of Patent:** **\*\* Jul. 15, 2014**

(54) **SELECTIVELY RELEASABLE FLASHLIGHT ATTACHMENT FOR A HANDGUN**

(56) **References Cited**

U.S. PATENT DOCUMENTS

(71) Applicants: **William H. Rogers**, St. Augustine, FL (US); **Matthew E. McKendrick**, Jacksonville, FL (US)

6,775,942	B2 *	8/2004	Compton	42/85
8,584,393	B2 *	11/2013	McCrimmon et al.	42/115
8,595,970	B2 *	12/2013	Picciotta et al.	42/72
2005/0217161	A1 *	10/2005	Haugen et al.	42/124
2005/0257415	A1 *	11/2005	Solinsky et al.	42/146
2008/0209789	A1 *	9/2008	Oz	42/90

(72) Inventors: **William H. Rogers**, St. Augustine, FL (US); **Matthew E. McKendrick**, Jacksonville, FL (US)

\* cited by examiner

*Primary Examiner* — Michael A Pratt

(73) Assignee: **Prezine, LLC**, Jacksonville, FL (US)

(74) *Attorney, Agent, or Firm* — Arthur G. Yeager

(\*\*) Term: **14 Years**

(57) **CLAIM**

The ornamental design for a selectively releasable flashlight attachment for a handgun, as shown and described.

(21) Appl. No.: **29/443,051**

**DESCRIPTION**

(22) Filed: **Jan. 11, 2013**

(51) **LOC (10) Cl.** ..... **22-01**

(52) **U.S. Cl.**

USPC ..... **D22/108**

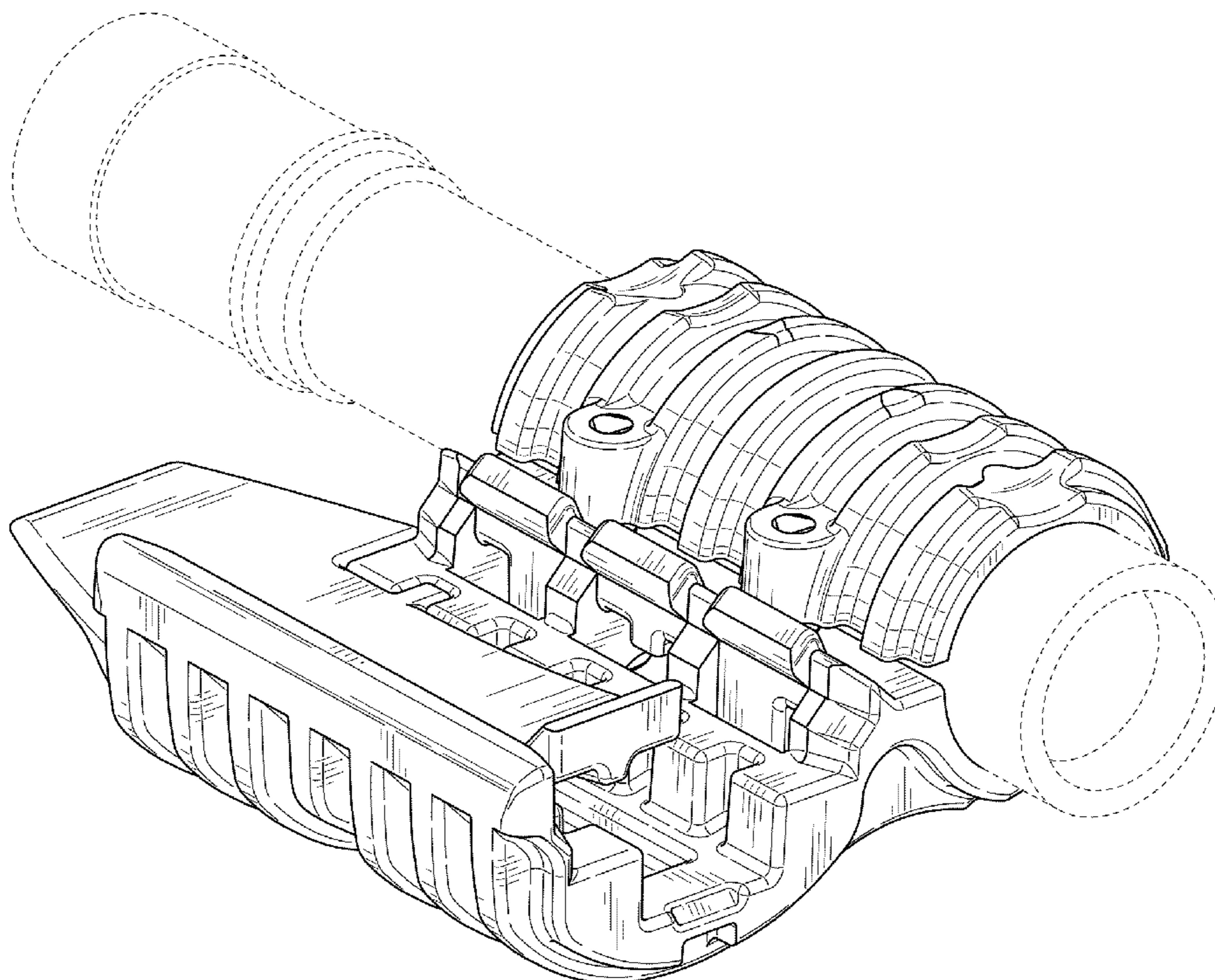
(58) **Field of Classification Search**

USPC ..... D22/108; 42/123–124, 127, 131–132, 42/146; 362/110–120; D26/24–27, 38, 40, D26/42, 46–47, 51, 60, 113, 118, 130–133, D26/136

FIG. 1 is a top, front left perspective view of a selectively releasable flashlight attachment for a handgun; FIG. 2 is a front end view thereof; FIG. 3 is a rear end view thereof; FIG. 4 is a left elevational view thereof; FIG. 5 is a right elevational view thereof; FIG. 6 is a top plan view thereof; and, FIG. 7 is a bottom plan view thereof. The broken lines in FIGS. 1, 4, 5, 6 and 7 illustrate the flashlight which forms no part of the claimed design.

See application file for complete search history.

**1 Claim, 6 Drawing Sheets**



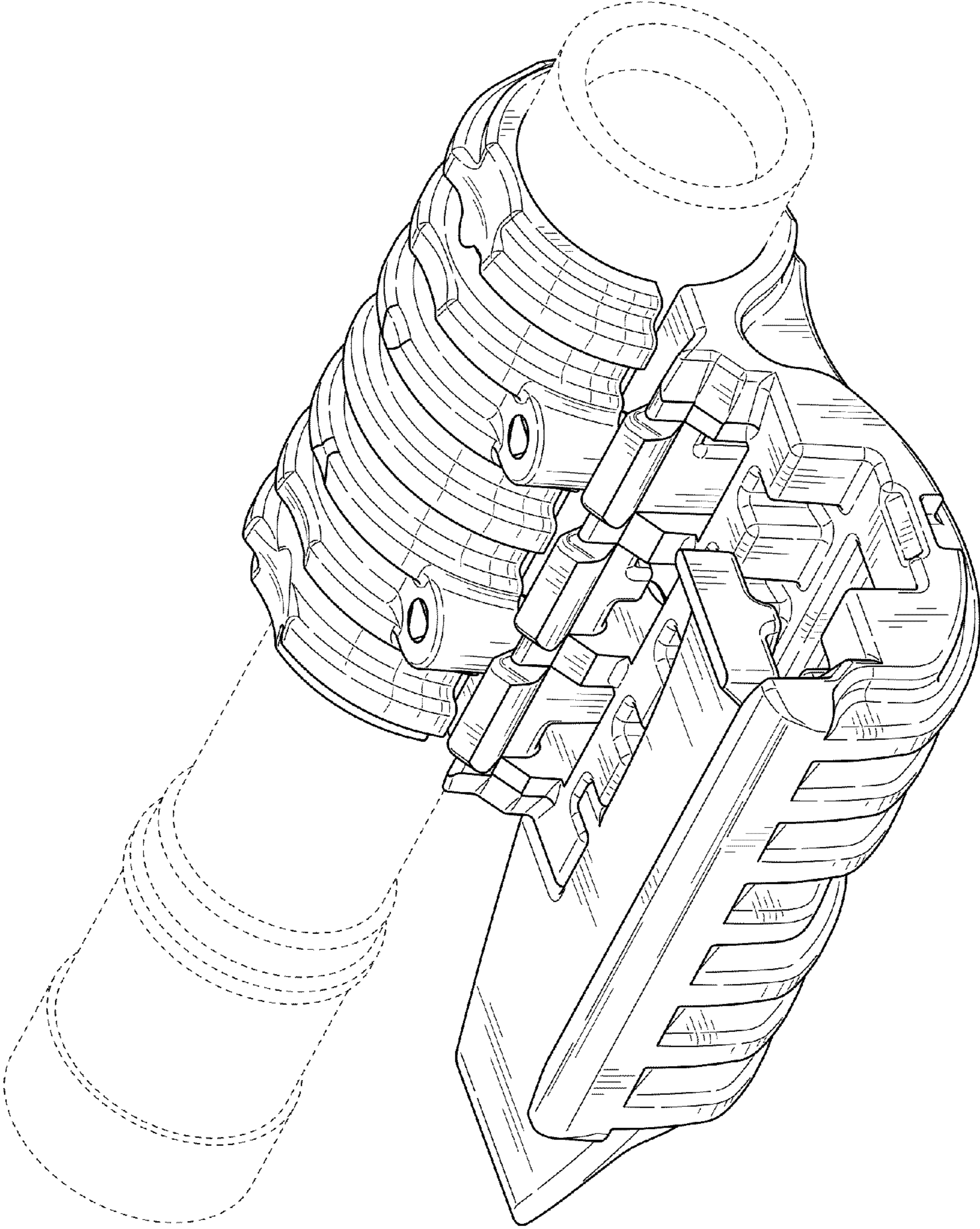


FIG. 1

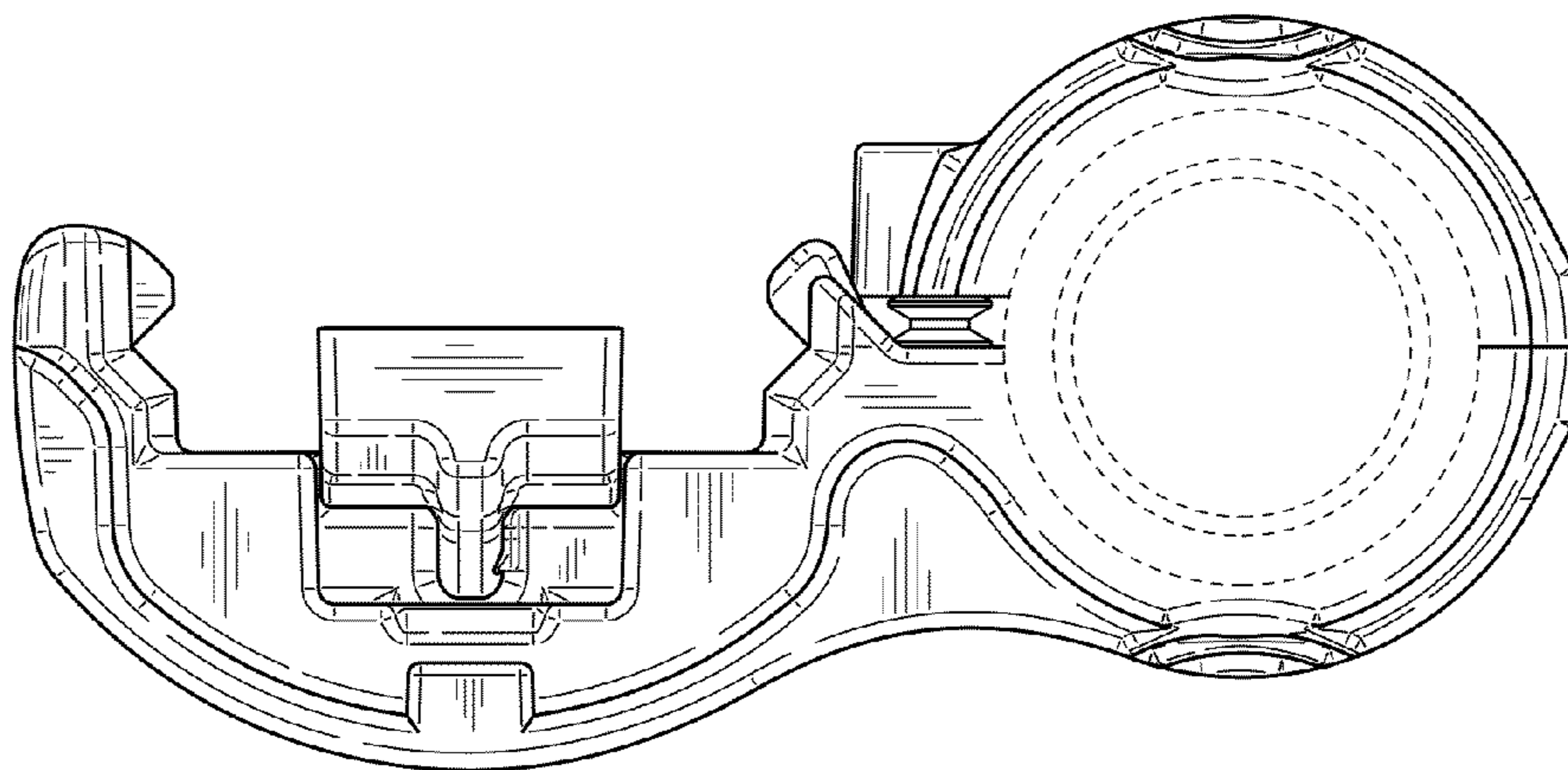


FIG. 2

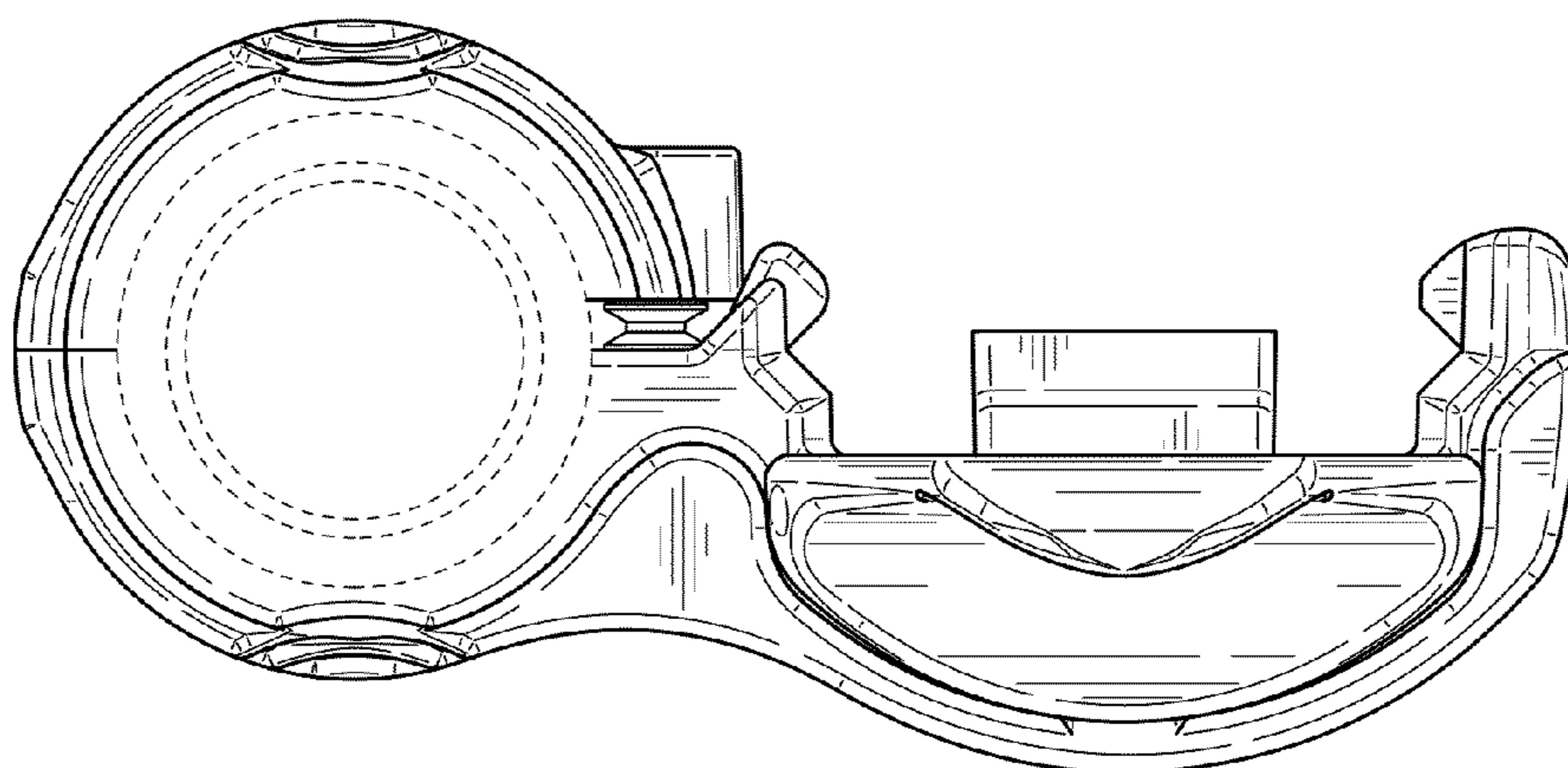


FIG. 3

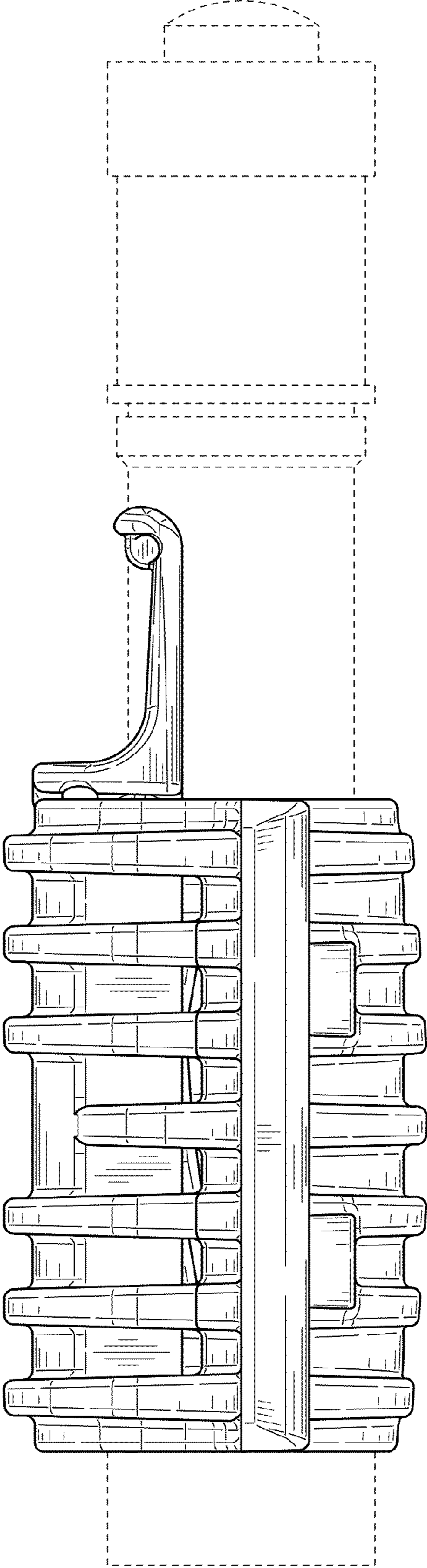


FIG. 4

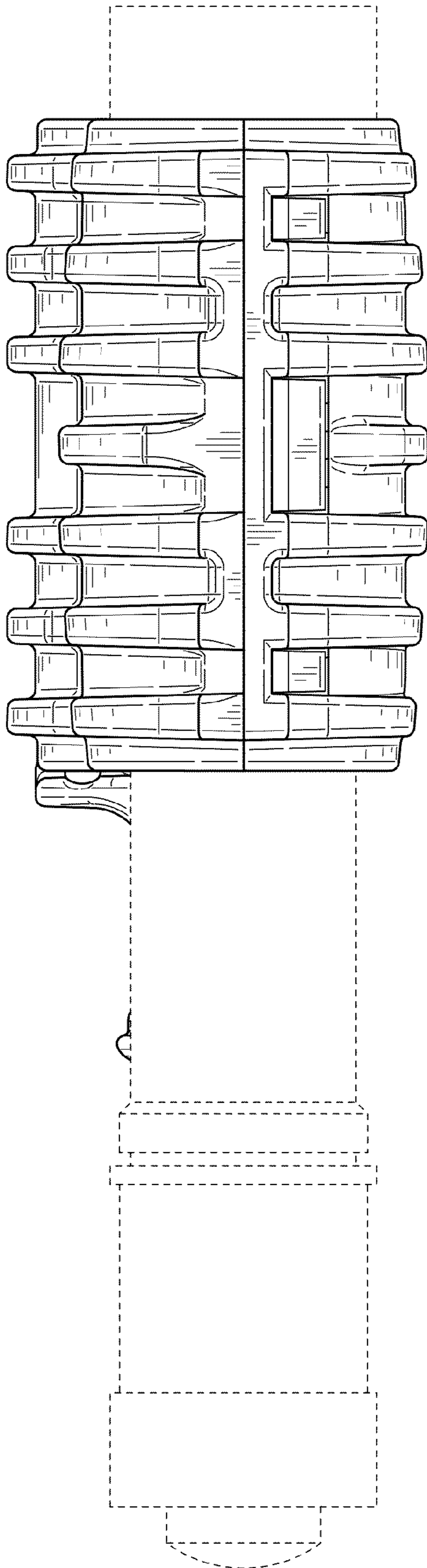


FIG. 5

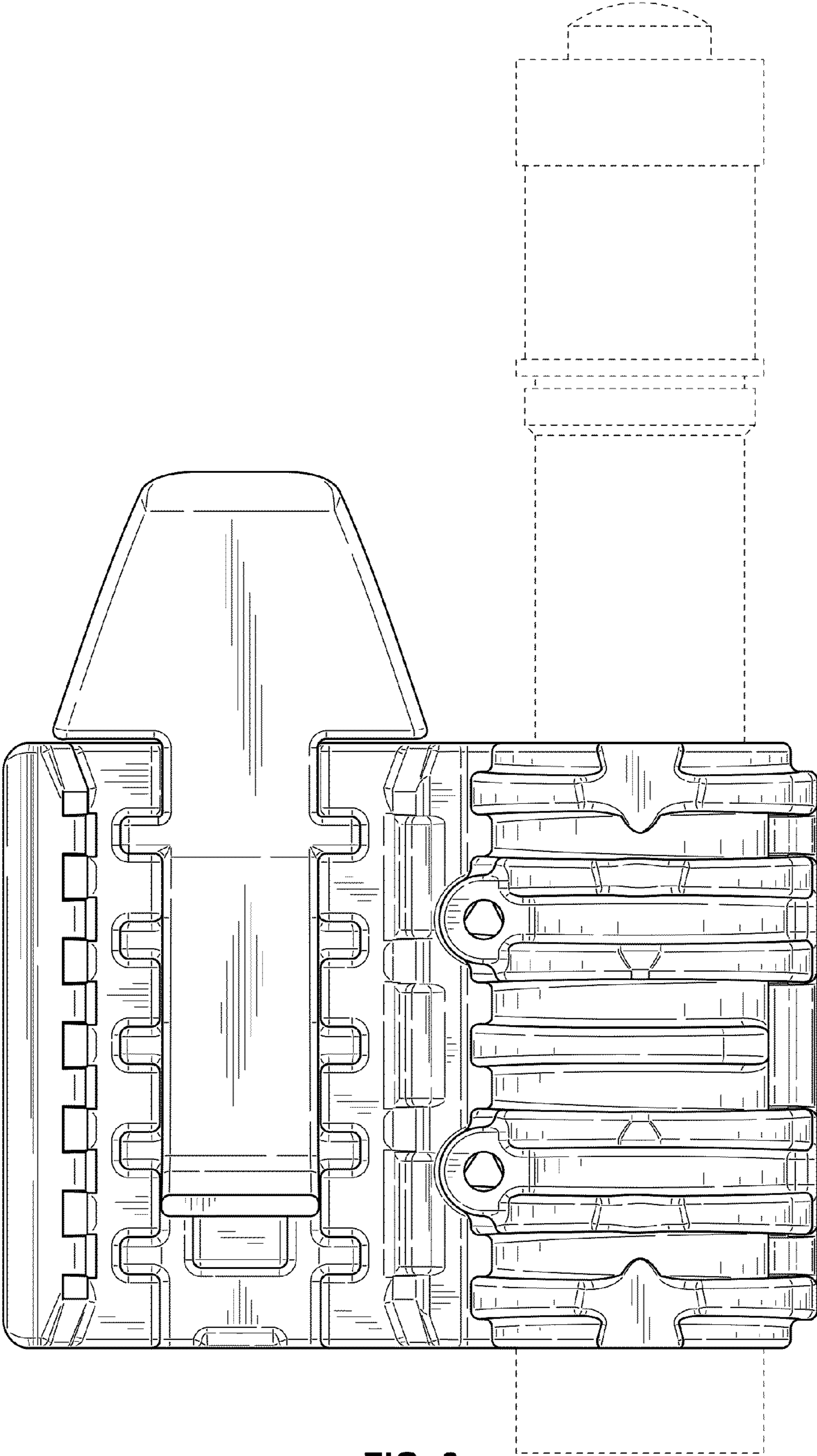


FIG. 6

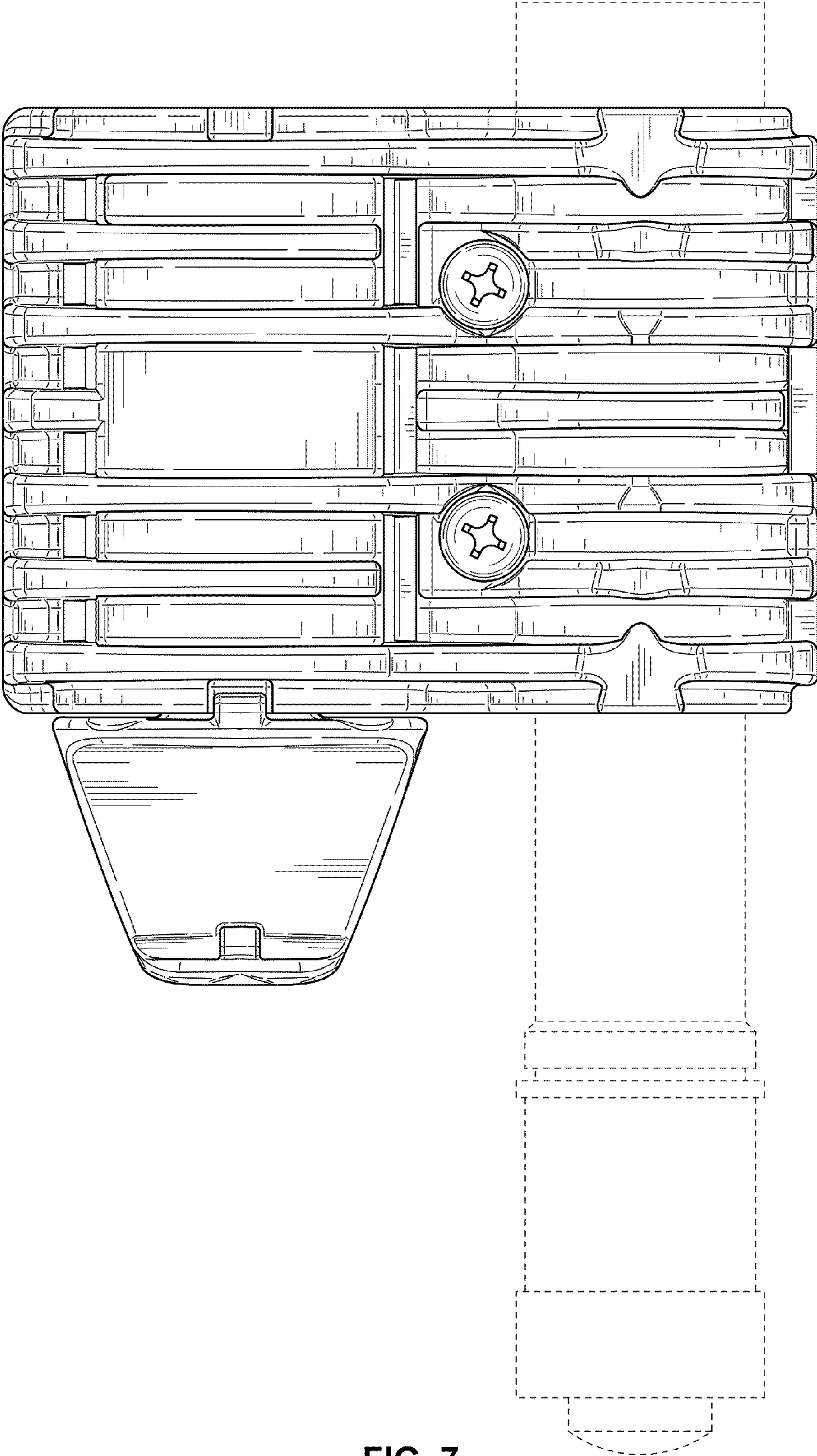


FIG. 7