



US00D709159S

(12) **United States Design Patent**
Gibson et al.

(10) **Patent No.:** **US D709,159 S**
(45) **Date of Patent:** **** Jul. 15, 2014**

(54) **HAND GRIP**

(71) Applicant: **SureFire, LLC**, Fountain Valley, CA
(US)

(72) Inventors: **Ronald S. Gibson**, Valencia, CA (US);
George Syrengelas, Garden Grove, CA
(US); **Michael D. Picciotta**, Yorba
Linda, CA (US)

(73) Assignee: **SureFire, LLC**, Fountain Valley, CA
(US)

(**) Term: **14 Years**

(21) Appl. No.: **29/441,969**

(22) Filed: **Jan. 11, 2013**

(51) **LOC (10) Cl.** **22-01**

(52) **U.S. Cl.**
USPC **D22/108**

(58) **Field of Classification Search**
USPC D22/108-109; D26/24-27, 38, 40, 42,
D26/46-47, 51, 60, 113, 118, 130-133,
D26/136; 42/123-124, 127, 131-132, 146;
362/110-120

See application file for complete search history.

(56) **References Cited**

U.S. PATENT DOCUMENTS

4,777,754	A	10/1988	Reynolds, Jr.	
4,856,218	A	8/1989	Reynolds, Jr.	
5,430,967	A *	7/1995	Woodman et al.	42/114
5,913,669	A *	6/1999	Hansen et al.	42/146
6,526,688	B1 *	3/2003	Danielson et al.	42/114
6,658,779	B2 *	12/2003	Bauer et al.	42/1.08
7,188,978	B2 *	3/2007	Sharrah et al.	362/396

7,493,722	B2 *	2/2009	Howe et al.	42/146
7,591,098	B2 *	9/2009	Matthews et al.	42/85
D628,323	S *	11/2010	Matthews et al.	D26/24
D628,324	S *	11/2010	Matthews et al.	D26/24
8,371,729	B2 *	2/2013	Sharrah et al.	362/439
2007/0137087	A1 *	6/2007	Florea et al.	42/90

OTHER PUBLICATIONS

U.S. Appl. No. 13/739,549, filed Jan. 11, 2013, inventors: Syrengelas et al., 42 pages.

“Tactical Products Catalog 2008,” SureFire LLC, Fountain Valley, CA, pp. 36-40.

* cited by examiner

Primary Examiner — Michael A Pratt

(74) *Attorney, Agent, or Firm* — Haynes and Boone, LLP

(57) **CLAIM**

The ornamental design for a hand grip, as shown and described.

DESCRIPTION

FIG. 1 is a front perspective view of a hand grip showing our new design and implemented as part of an example lighting device;

FIG. 2 is a rear perspective view thereof;

FIG. 3 is a left side elevational view thereof;

FIG. 4 is a right side elevational view thereof;

FIG. 5 is a top plan view thereof;

FIG. 6 is a bottom plan view thereof;

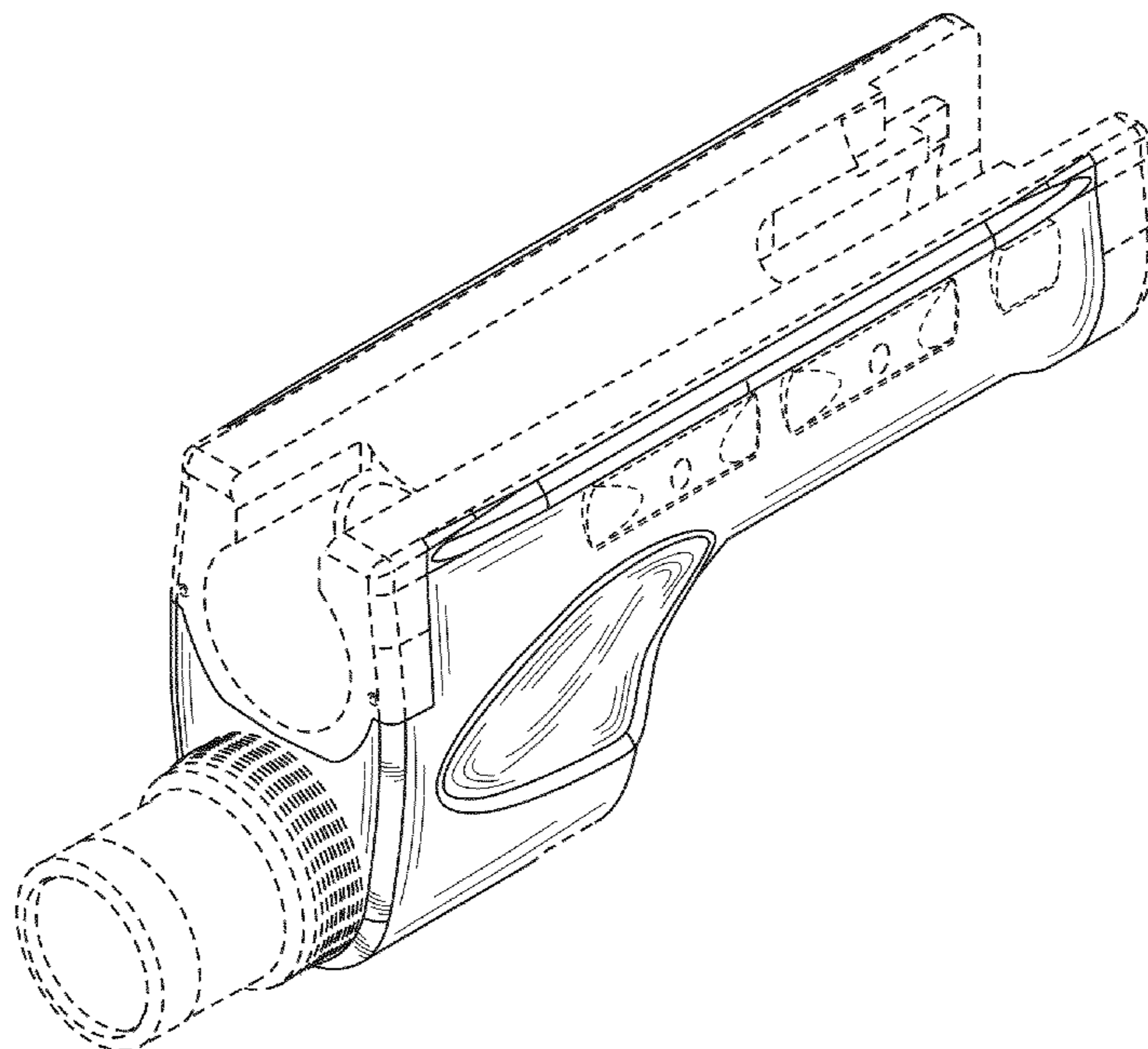
FIG. 7 is a front side elevational view thereof; and

FIG. 8 is a rear side elevational view thereof; and,

FIG. 9 is a front perspective view of the hand grip implemented as part of the example lighting device and mounted on an example firearm.

The broken lines in the drawings illustrate environmental features and form no part of the claimed design.

1 Claim, 8 Drawing Sheets



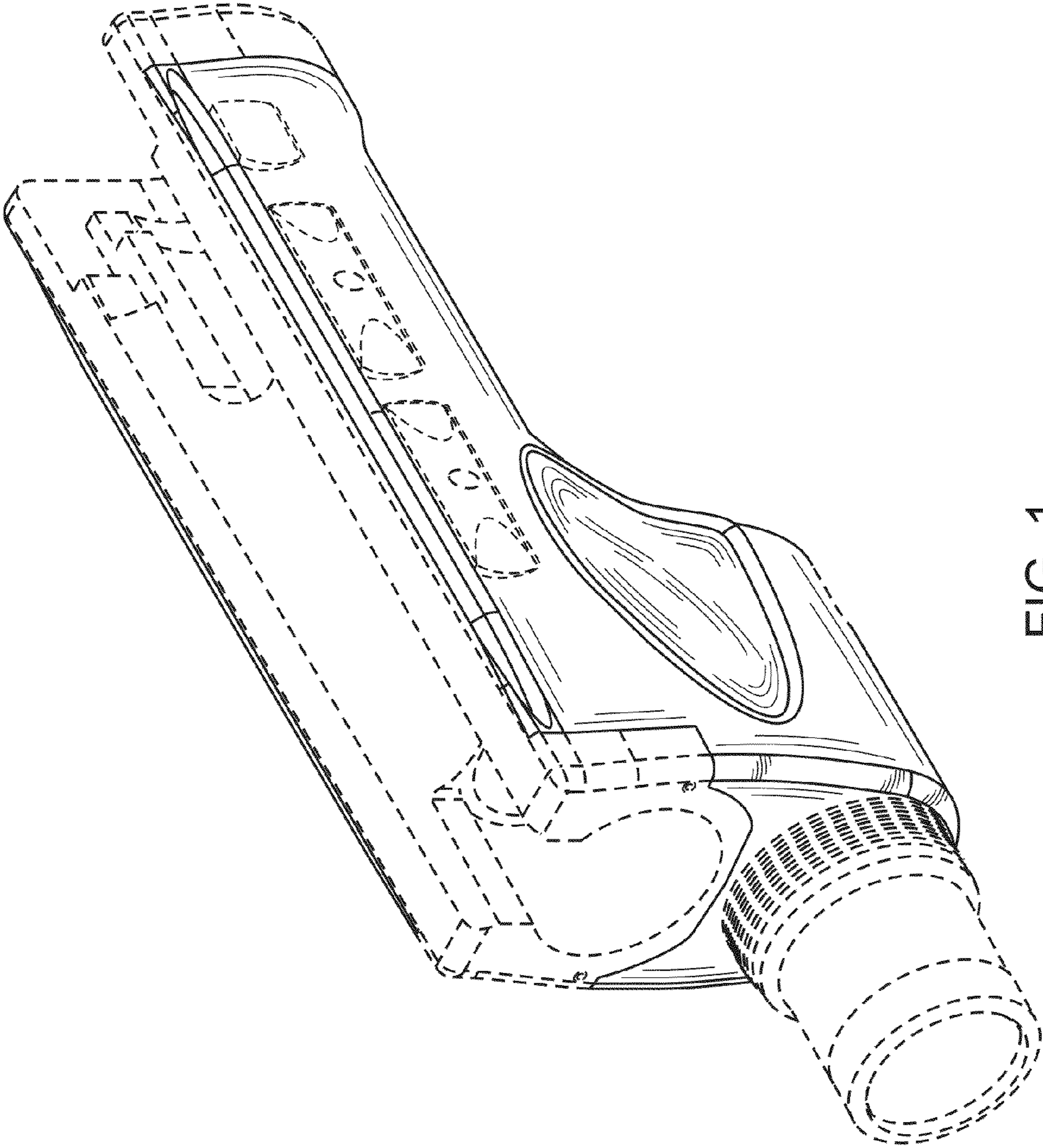


FIG. 1

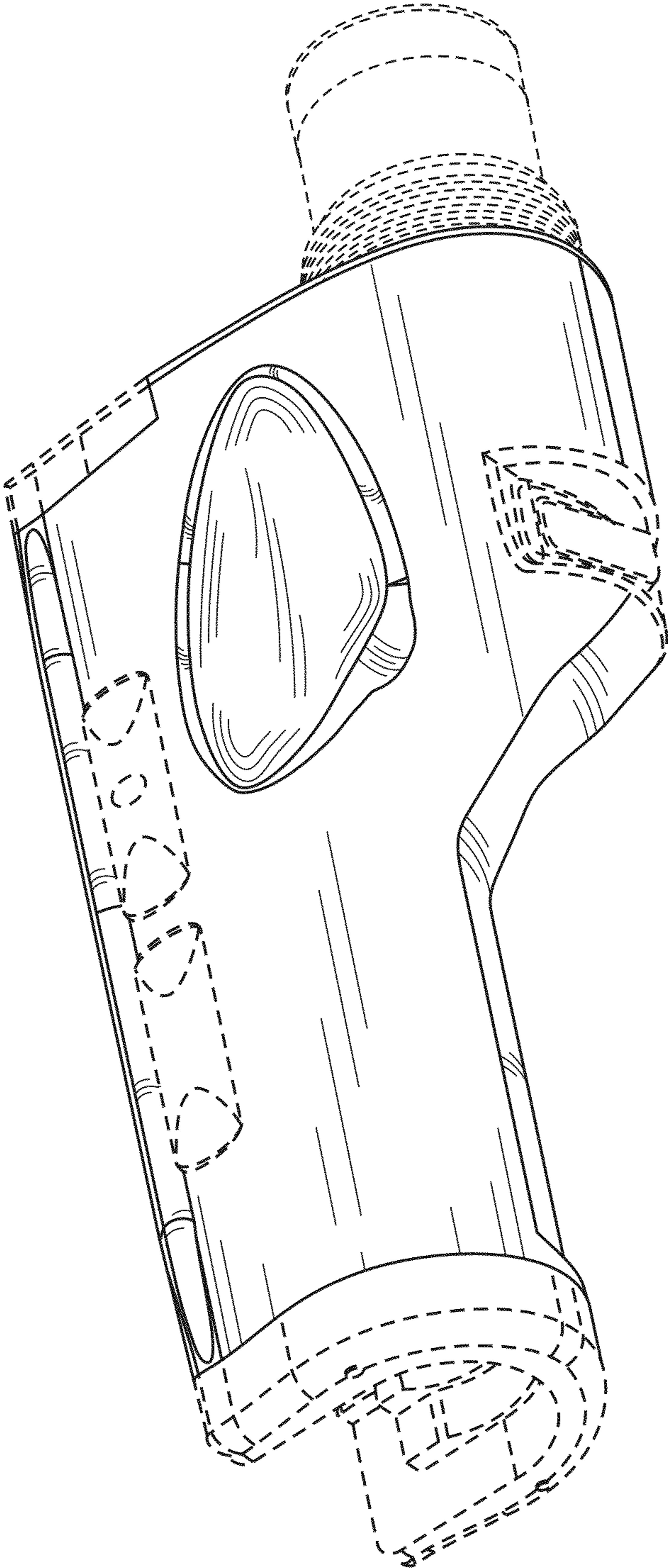


FIG. 2

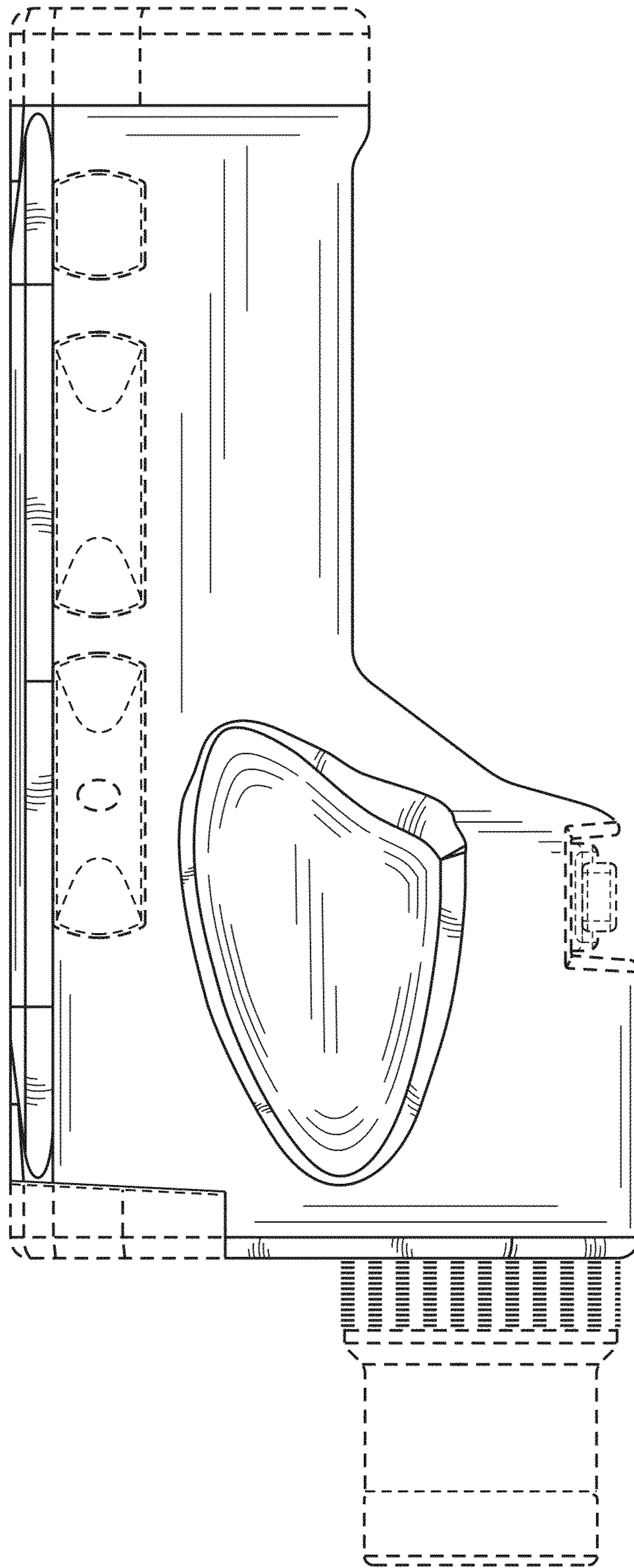


FIG. 3

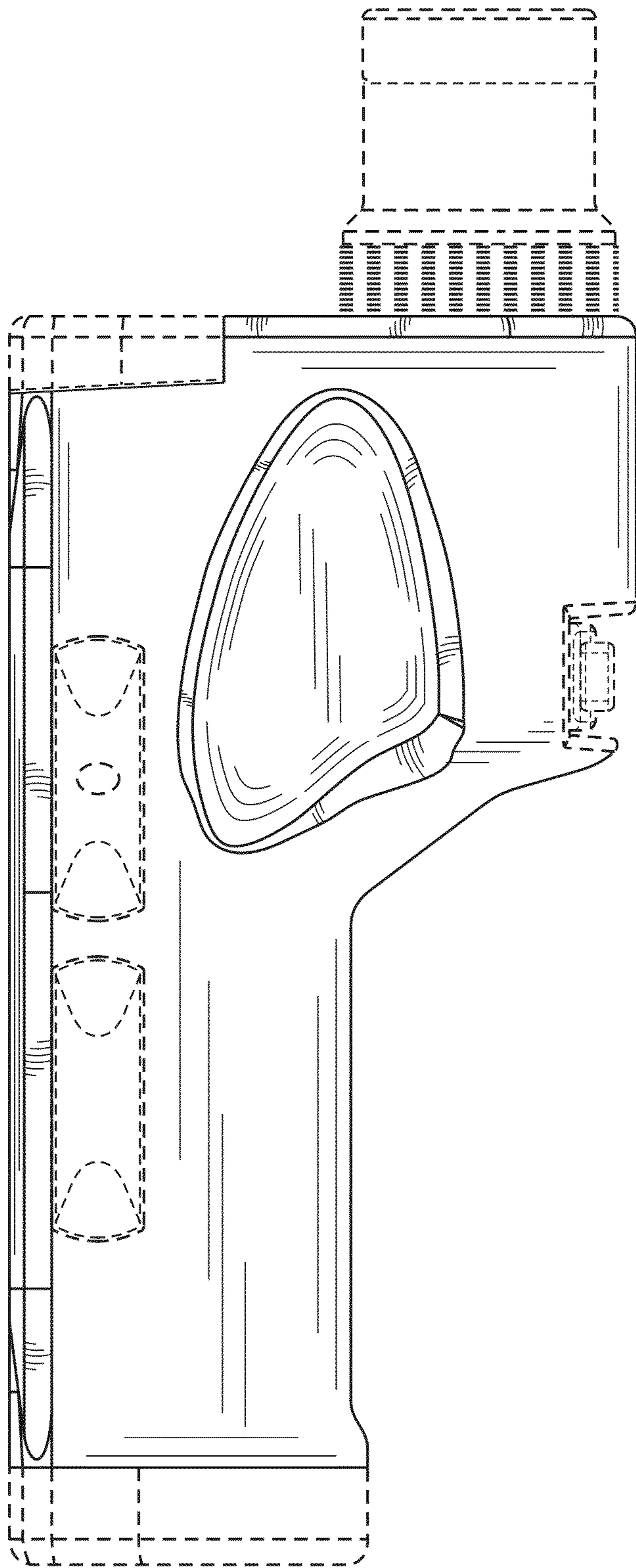


FIG. 4

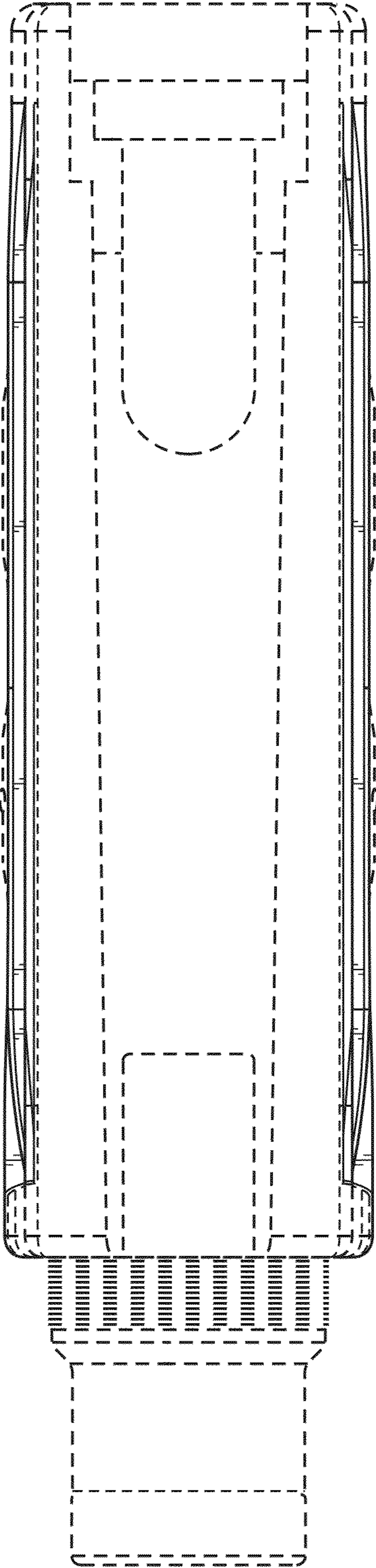


FIG. 5

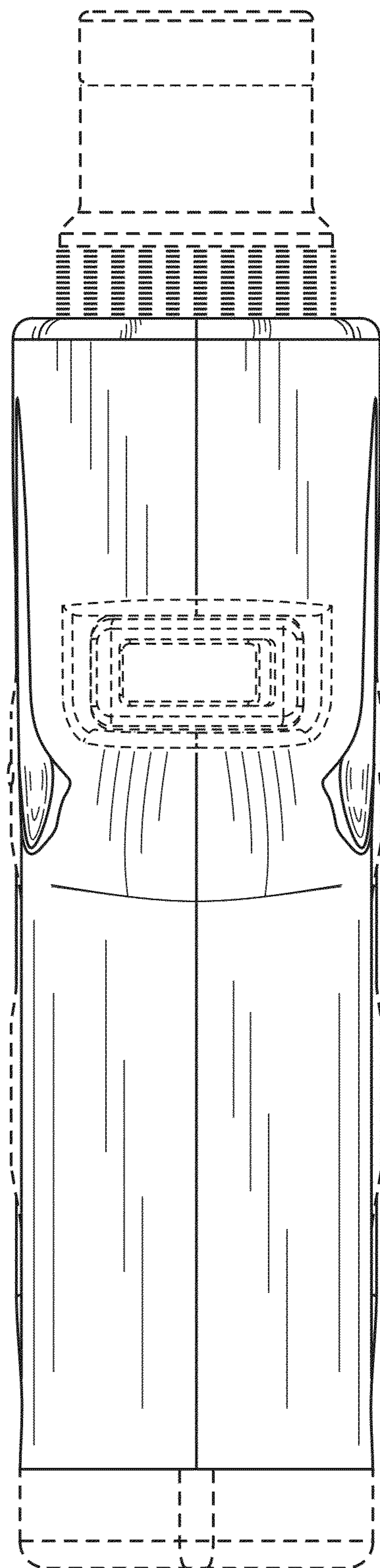


FIG. 6

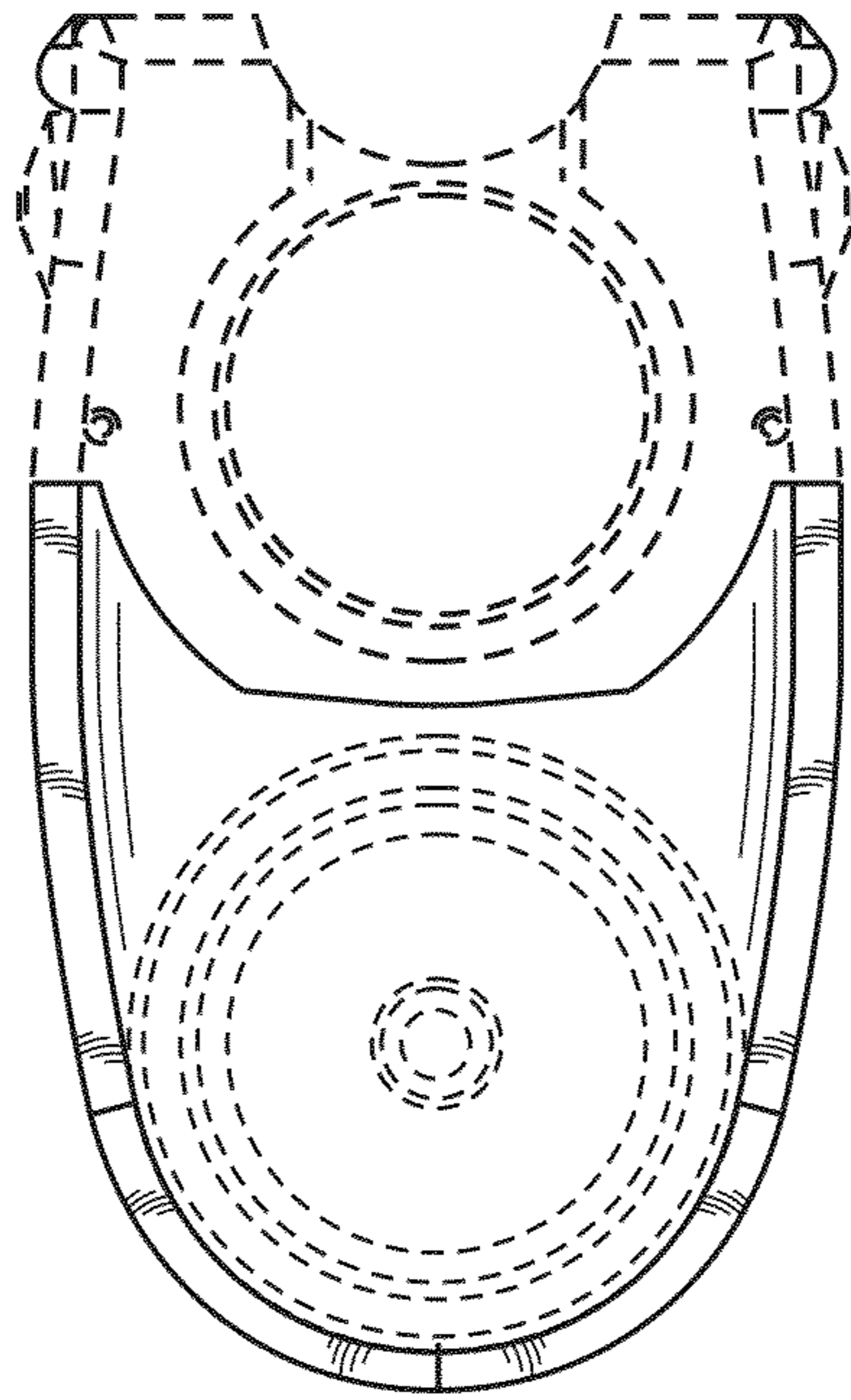


FIG. 7

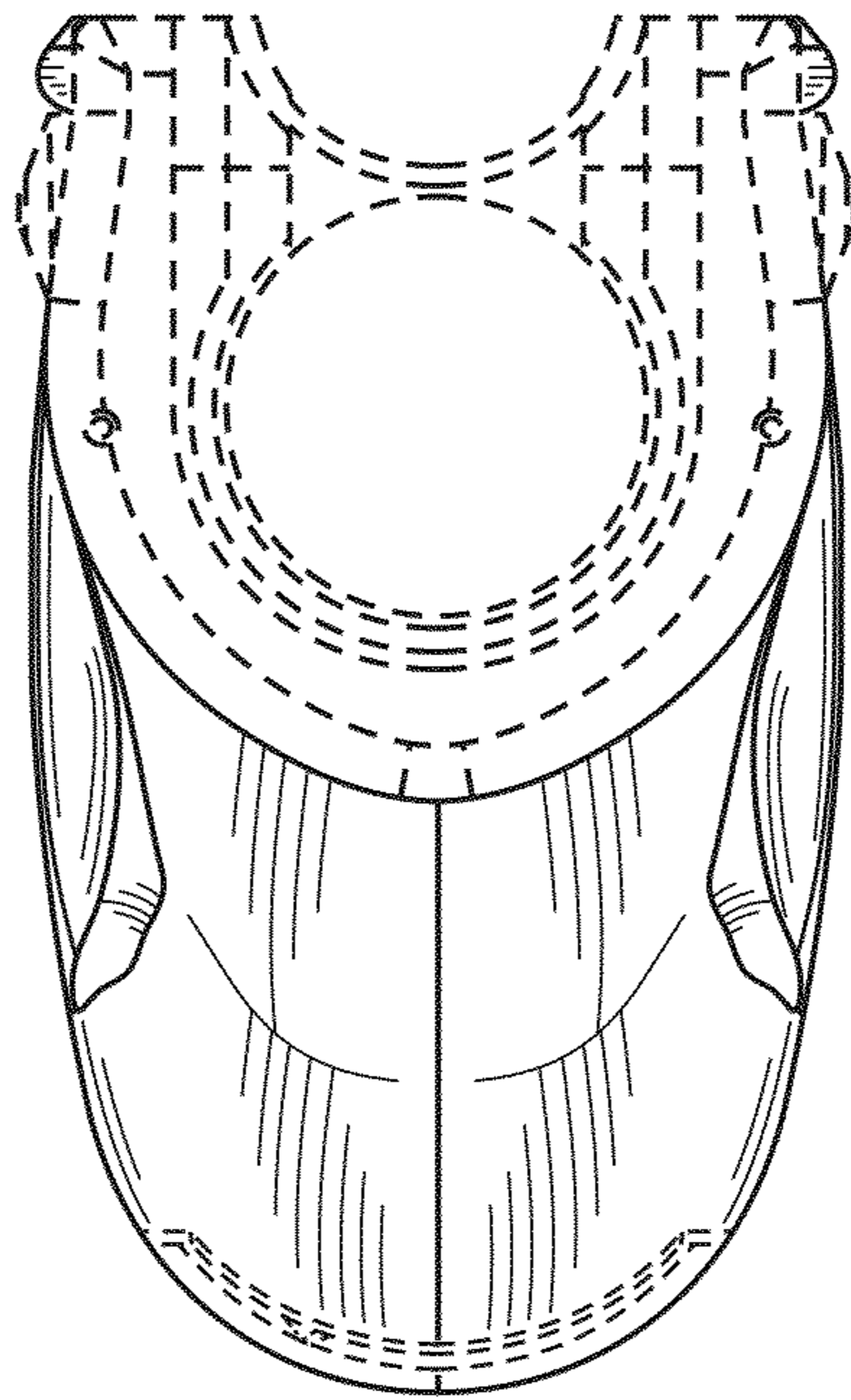


FIG. 8

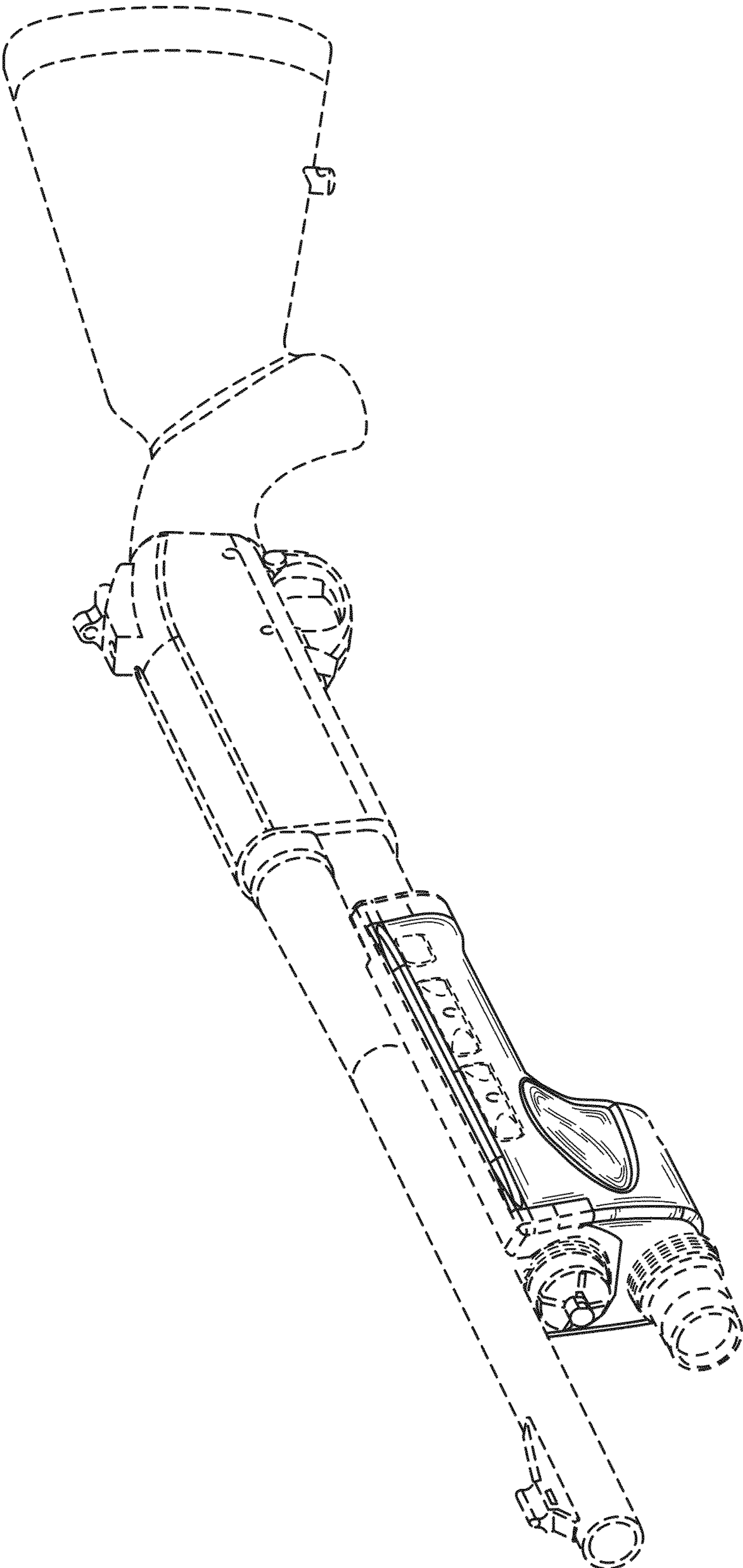


FIG. 9