



US00D709158S

(12) **United States Design Patent**
Wells

(10) **Patent No.:** **US D709,158 S**
(45) **Date of Patent:** **** Jul. 15, 2014**

- (54) **LIGHTING DEVICE**
- (71) Applicant: **SureFire, LLC**, Fountain Valley, CA (US)
- (72) Inventor: **William Wells**, Costa Mesa, CA (US)
- (73) Assignee: **SureFire, LLC**, Fountain Valley, CA (US)
- (**) Term: **14 Years**
- (21) Appl. No.: **29/441,791**
- (22) Filed: **Jan. 9, 2013**
- (51) **LOC (10) Cl.** **22-01**
- (52) **U.S. Cl.**
USPC **D22/108**
- (58) **Field of Classification Search**
USPC D22/108-109; D26/37, 46, 47, 48, 49;
362/110-120; 42/123-124, 127,
42/131-132, 146
See application file for complete search history.

7,591,098	B2 *	9/2009	Matthews et al.	42/85
7,614,760	B2	11/2009	Sharrah et al.		
D612,970	S	3/2010	Sharrah et al.		
D616,956	S	6/2010	Hamilton		
D628,323	S	11/2010	Matthews et al.		
D628,324	S	11/2010	Matthews et al.		
8,371,729	B2 *	2/2013	Sharrah et al.	362/439
8,387,294	B2 *	3/2013	Bolden	42/1.01
2004/0068913	A1	4/2004	Solinsky et al.		
2007/0227056	A1	10/2007	Howe et al.		
2008/0134562	A1	6/2008	Teetzel		
2010/0164401	A1	7/2010	Matthews et al.		

OTHER PUBLICATIONS

U.S. Appl. No. 29/448,278, filed Mar. 11, 2013, inventor: William Wells, 10 pages.

* cited by examiner

Primary Examiner — Michael A Pratt
(74) *Attorney, Agent, or Firm* — Haynes and Boone, LLP

(57) **CLAIM**
The ornamental design for a lighting device, as shown and described.

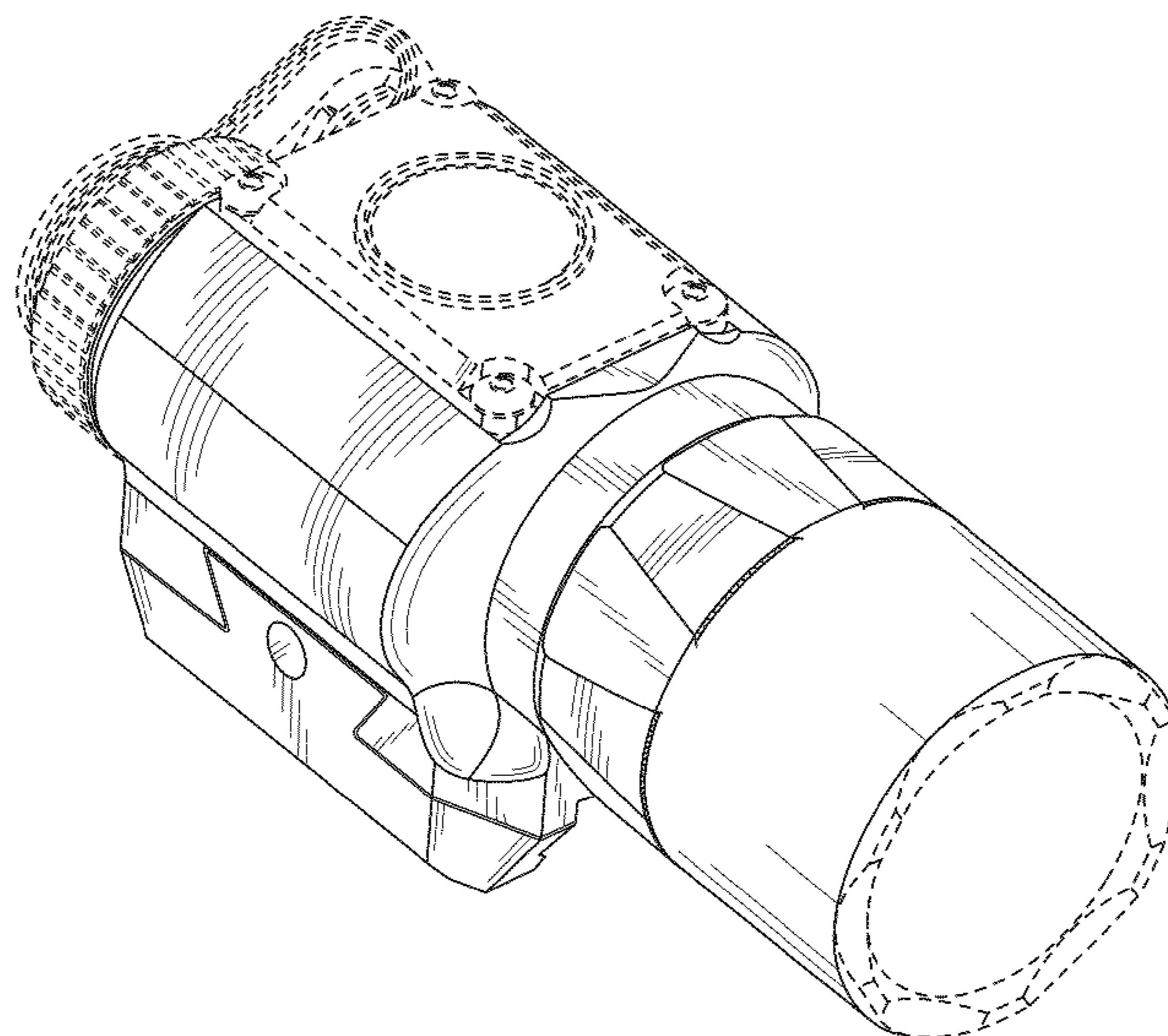
(56) **References Cited**
U.S. PATENT DOCUMENTS

D95,274	S	4/1935	Levy		
4,856,218	A *	8/1989	Reynolds, Jr.	42/146
5,913,669	A *	6/1999	Hansen et al.	42/146
7,188,978	B2 *	3/2007	Sharrah et al.	362/396
7,225,578	B2 *	6/2007	Tai	42/132
D548,385	S	8/2007	Sharrah et al.		
D567,894	S	4/2008	Sterling et al.		
D568,508	S	5/2008	Howe et al.		
D578,599	S	10/2008	Cheng		
7,441,364	B2 *	10/2008	Rogers et al.	42/146
D581,586	S	11/2008	Conroy		
D585,516	S	1/2009	Smith		
7,576,515	B2	8/2009	Greenslade		
D600,772	S	9/2009	Swan		

DESCRIPTION

FIG. 1 is a front perspective view of a lighting device showing my new design;
FIG. 2 is a rear perspective view thereof;
FIG. 3 is a left side elevational view thereof;
FIG. 4 is a right side elevational view thereof;
FIG. 5 is a top plan view thereof;
FIG. 6 is a bottom plan view thereof;
FIG. 7 is a front side elevational view thereof; and,
FIG. 8 is a rear side elevational view thereof.
The broken lines in the drawings illustrate environmental features and form no part of the claimed design.

1 Claim, 8 Drawing Sheets



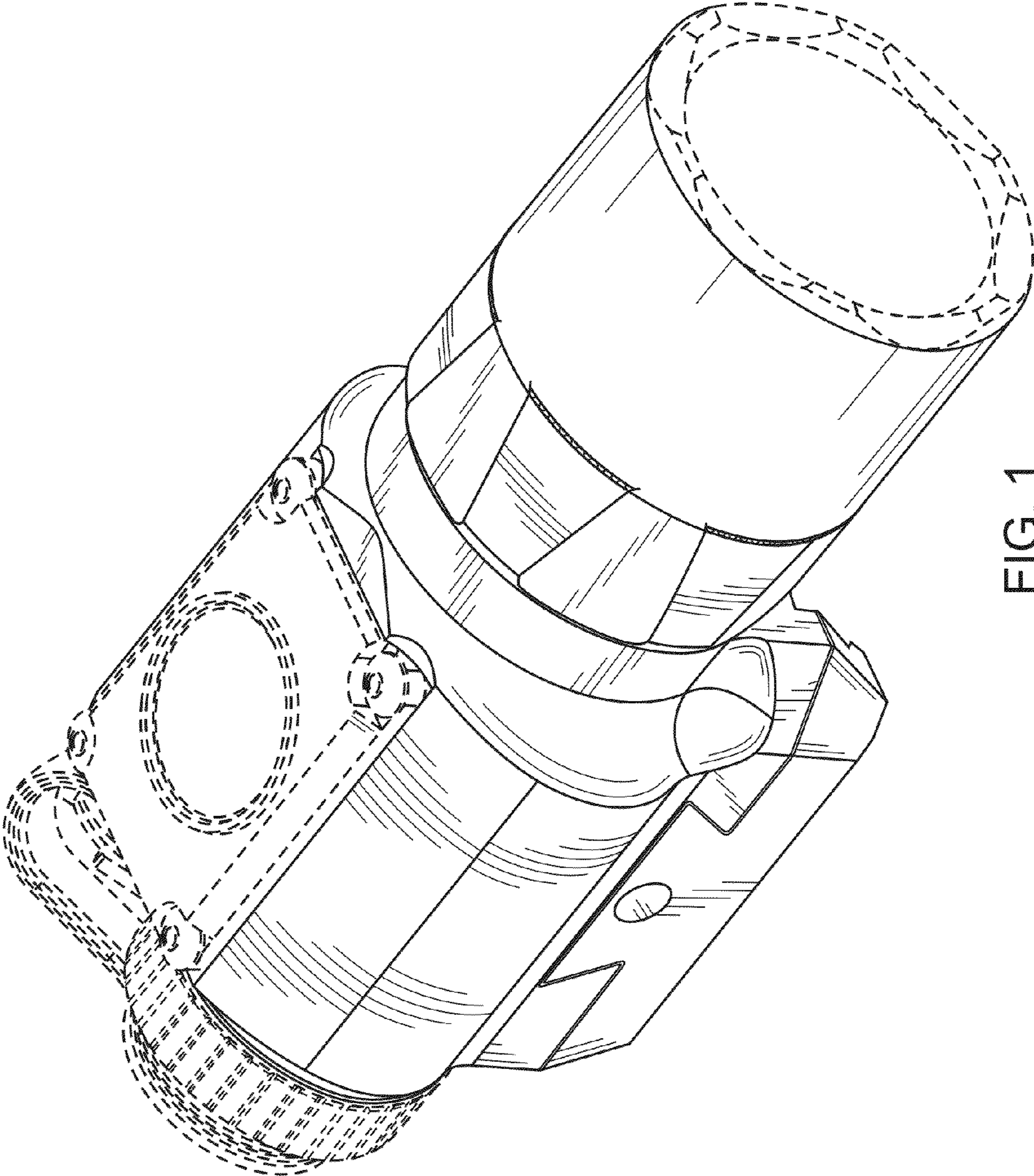


FIG. 1

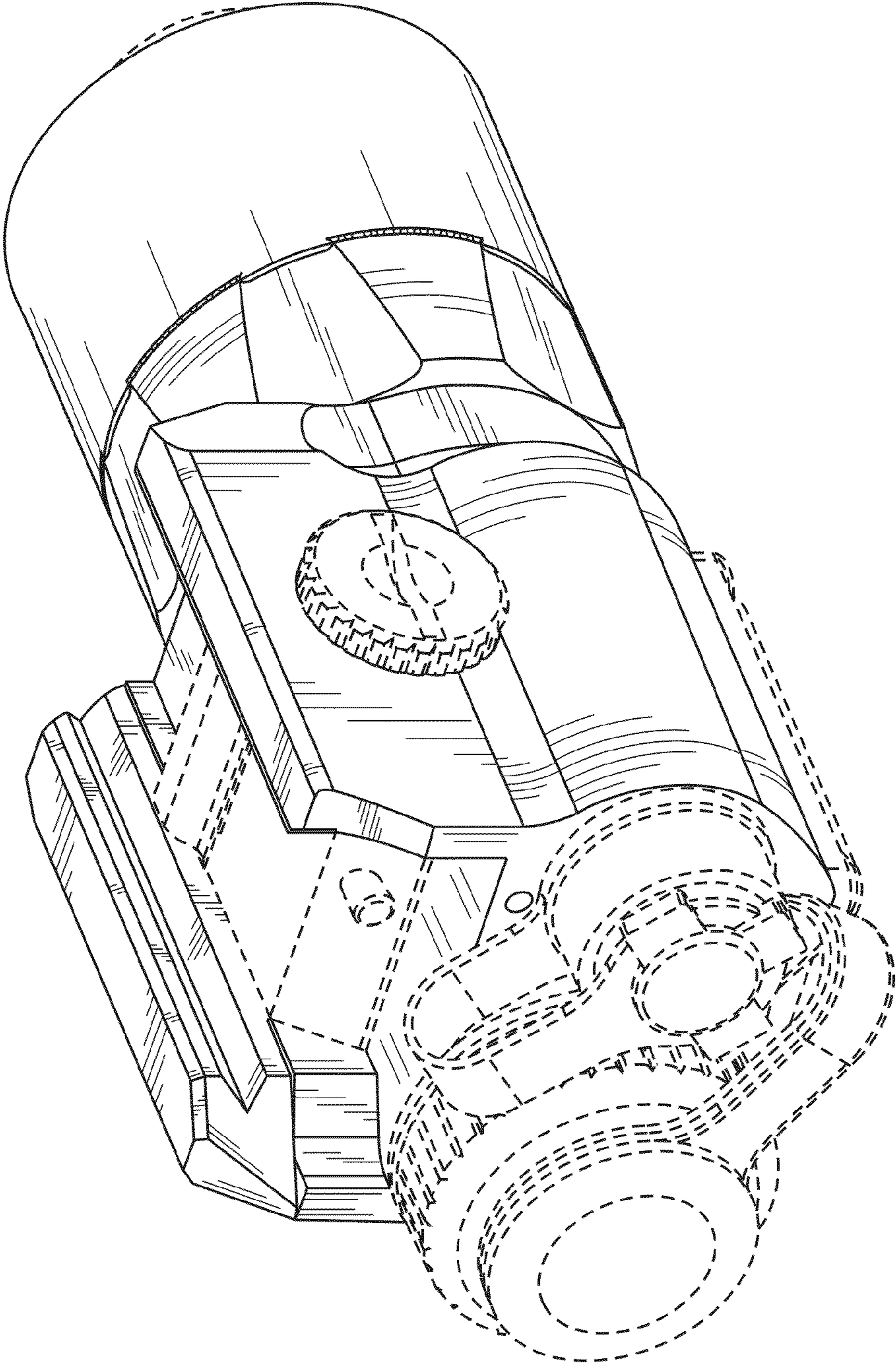


FIG. 2

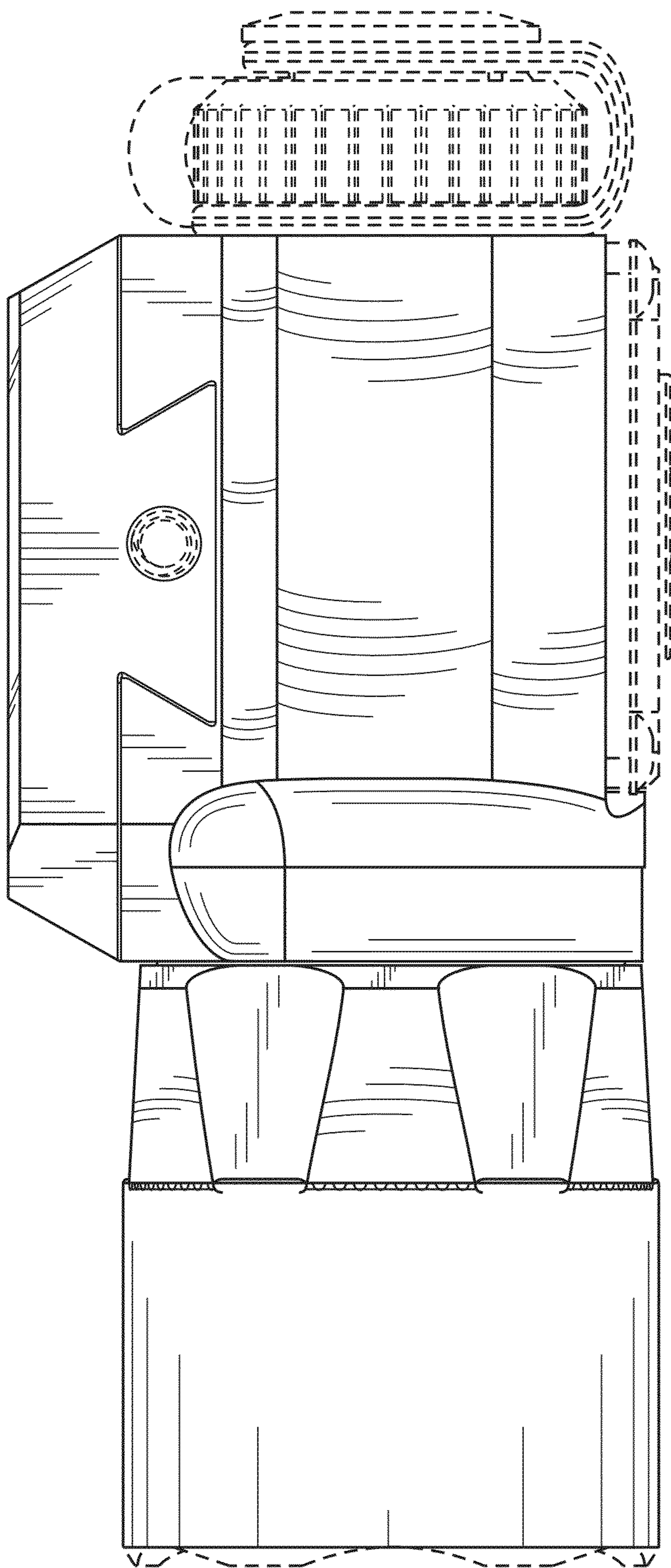


FIG. 3

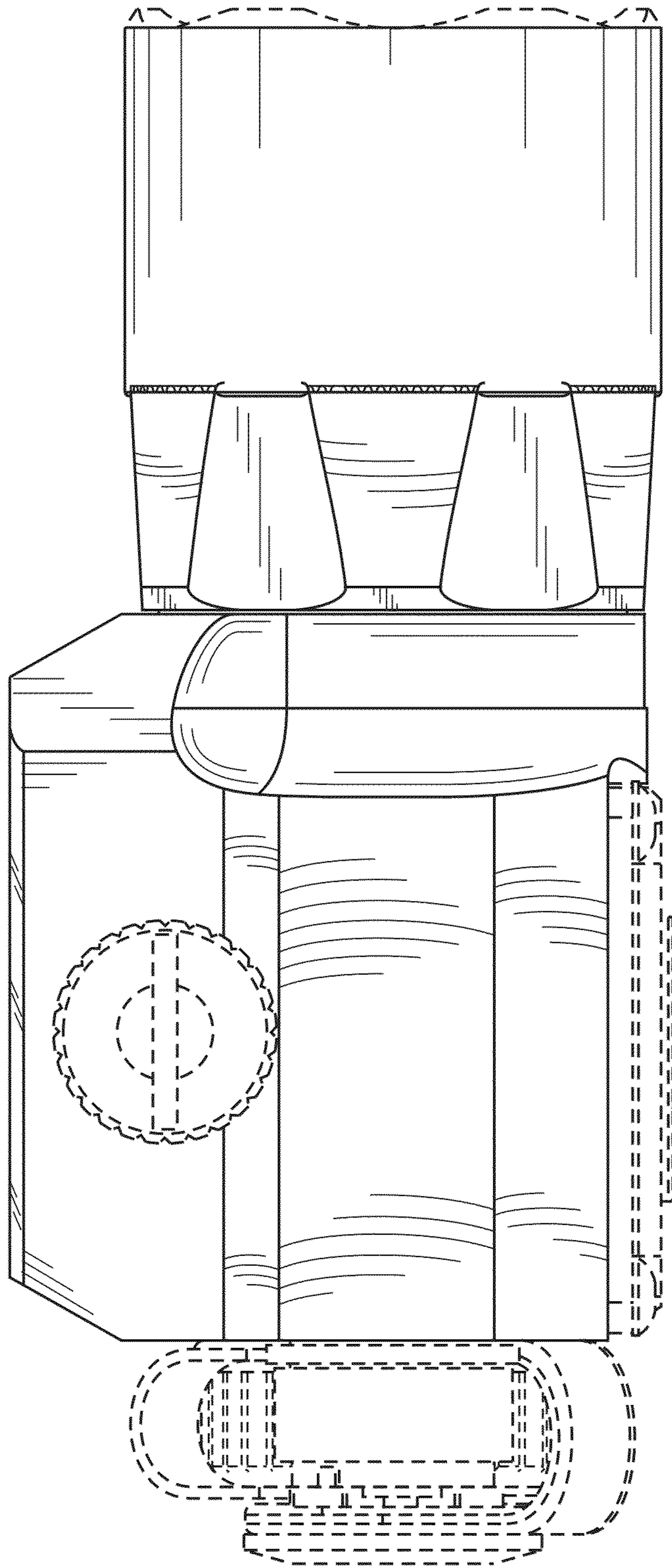


FIG. 4

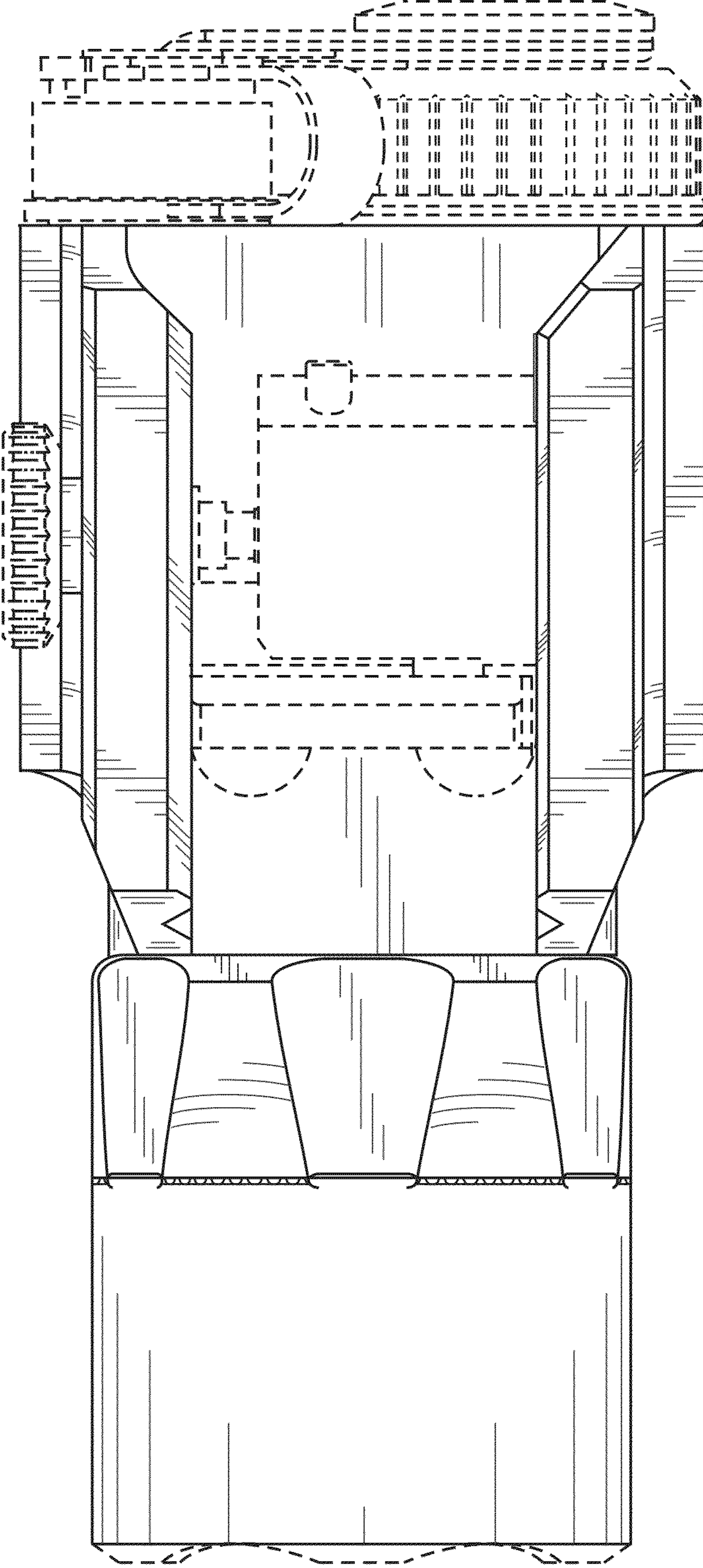


FIG. 5

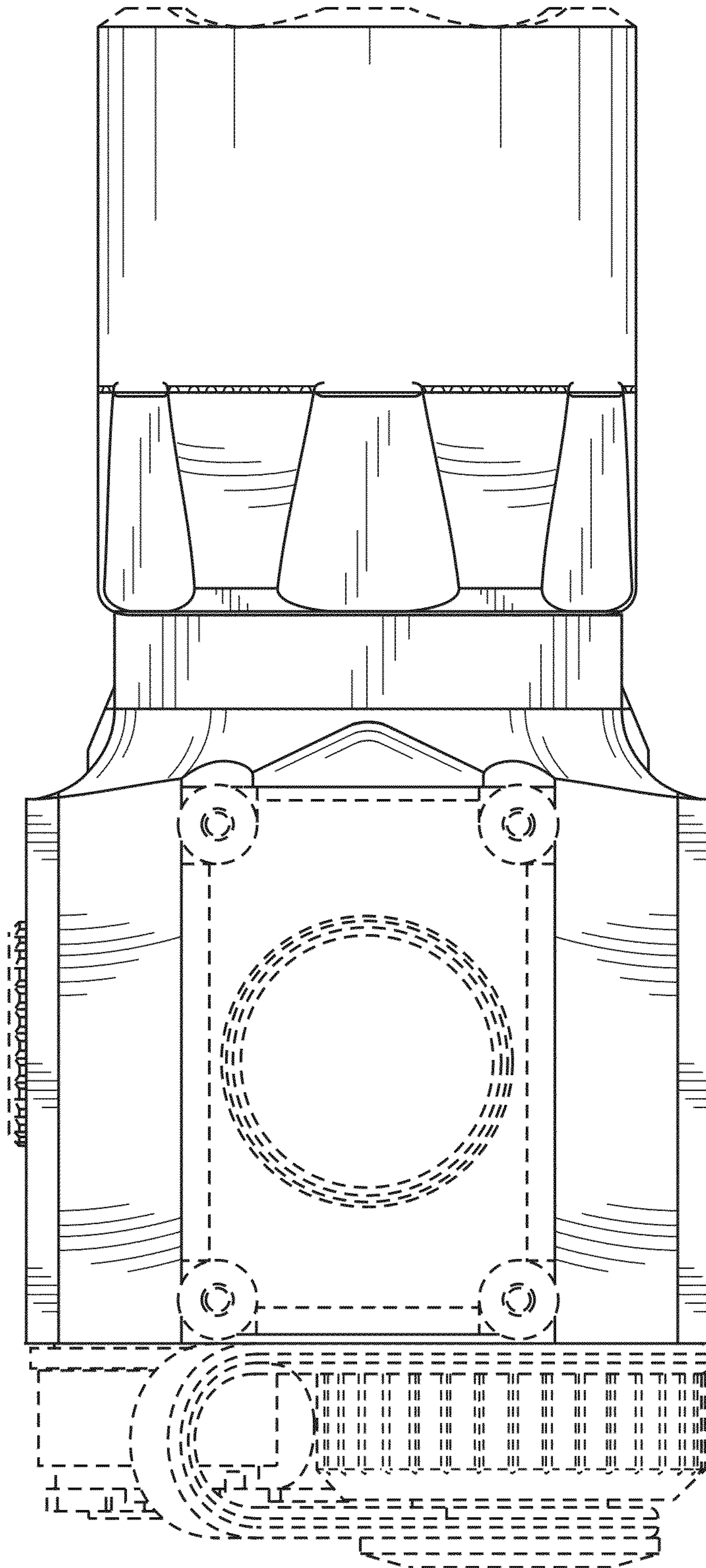


FIG. 6

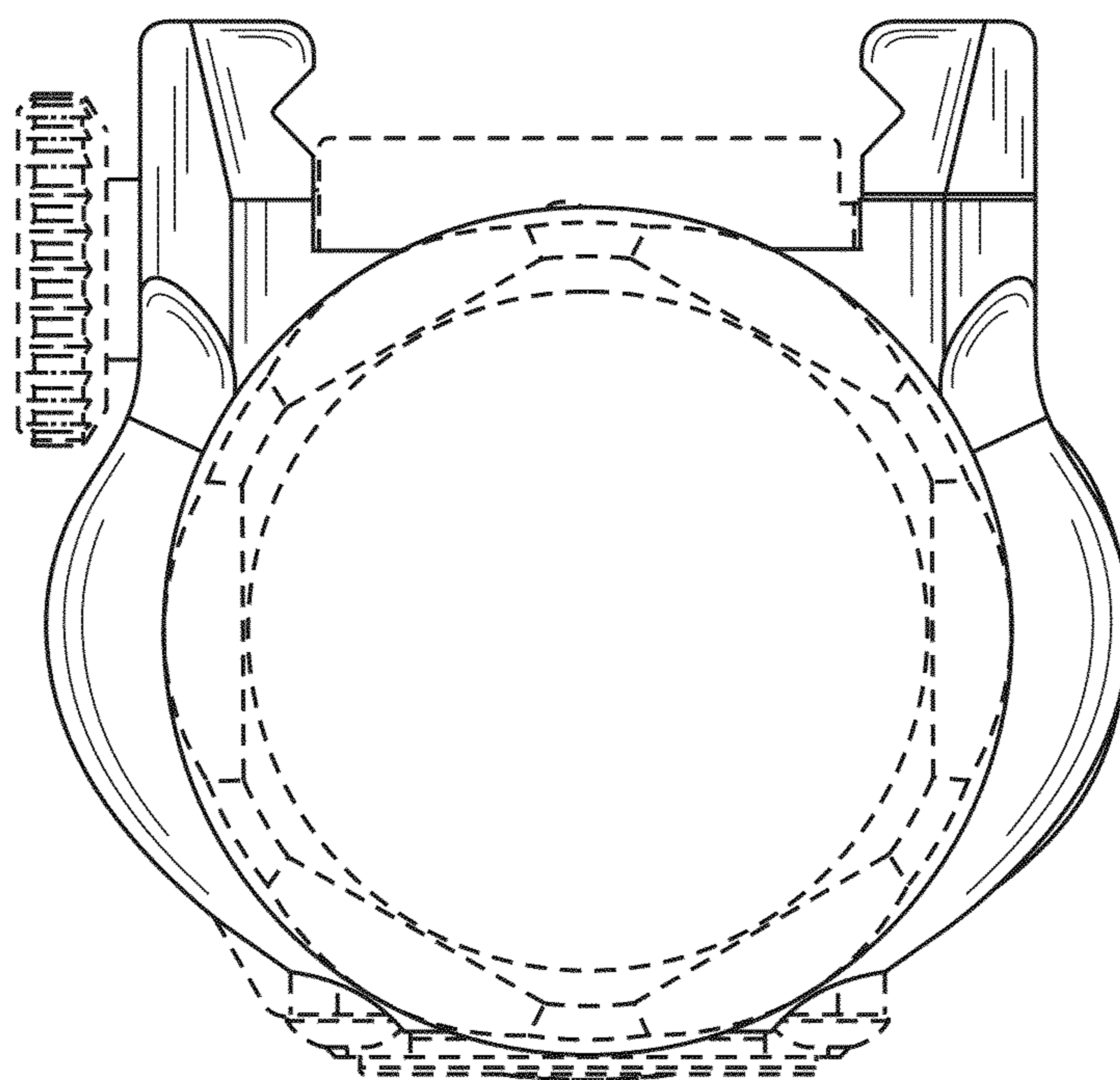


FIG. 7

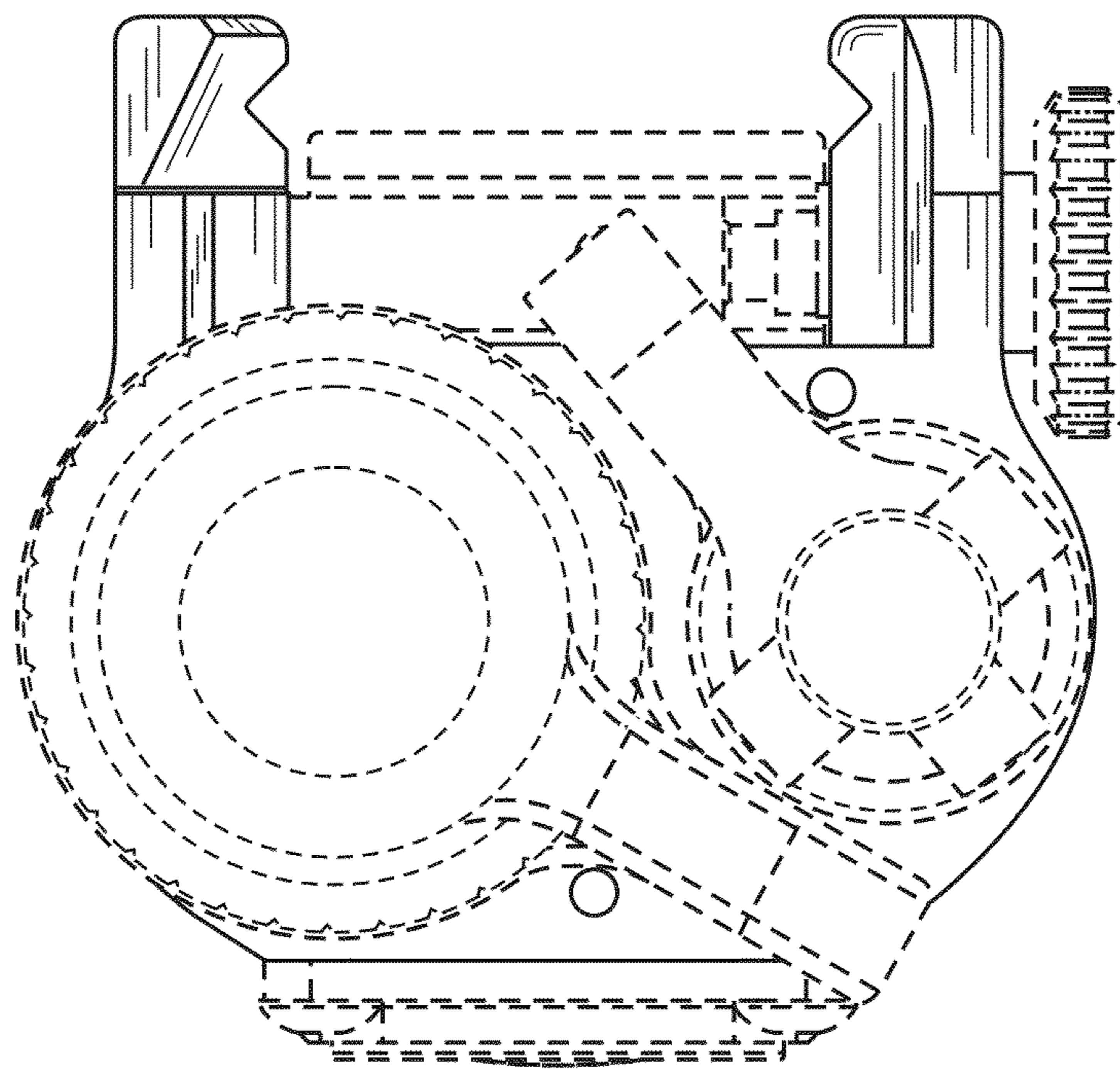


FIG. 8