



US00D709157S

(12) **United States Design Patent**
Mowery

(10) **Patent No.:** **US D709,157 S**
(45) **Date of Patent:** **** Jul. 15, 2014**

(54) **SERVER**

(71) Applicant: **Richard F. Mowery**, Alpena, MI (US)

(72) Inventor: **Richard F. Mowery**, Alpena, MI (US)

(73) Assignee: **Bohning Company, Ltd**, Lake City, MI (US)

(**) Term: **14 Years**

(21) Appl. No.: **29/450,414**

(22) Filed: **Mar. 18, 2013**

(51) **LOC (10) Cl.** **22-01**

(52) **U.S. Cl.**
USPC **D22/107**

(58) **Field of Classification Search**
USPC D22/107; 124/44.5, 90; 242/441.2, 442,
242/443, 443.1
See application file for complete search history.

(56) **References Cited**

U.S. PATENT DOCUMENTS

1,431,784 A * 10/1922 Dillon 242/419.4
5,538,197 A * 7/1996 Killian 242/439.3

2004/0046079 A1* 3/2004 Coy 242/439.3
2012/0085854 A1* 4/2012 Blosser 242/439
2012/0152219 A1* 6/2012 McPherson 124/25

* cited by examiner

Primary Examiner — Michael A Pratt

(74) *Attorney, Agent, or Firm* — Smith Risley Tempel Santos LLC; Gregory Scott Smith

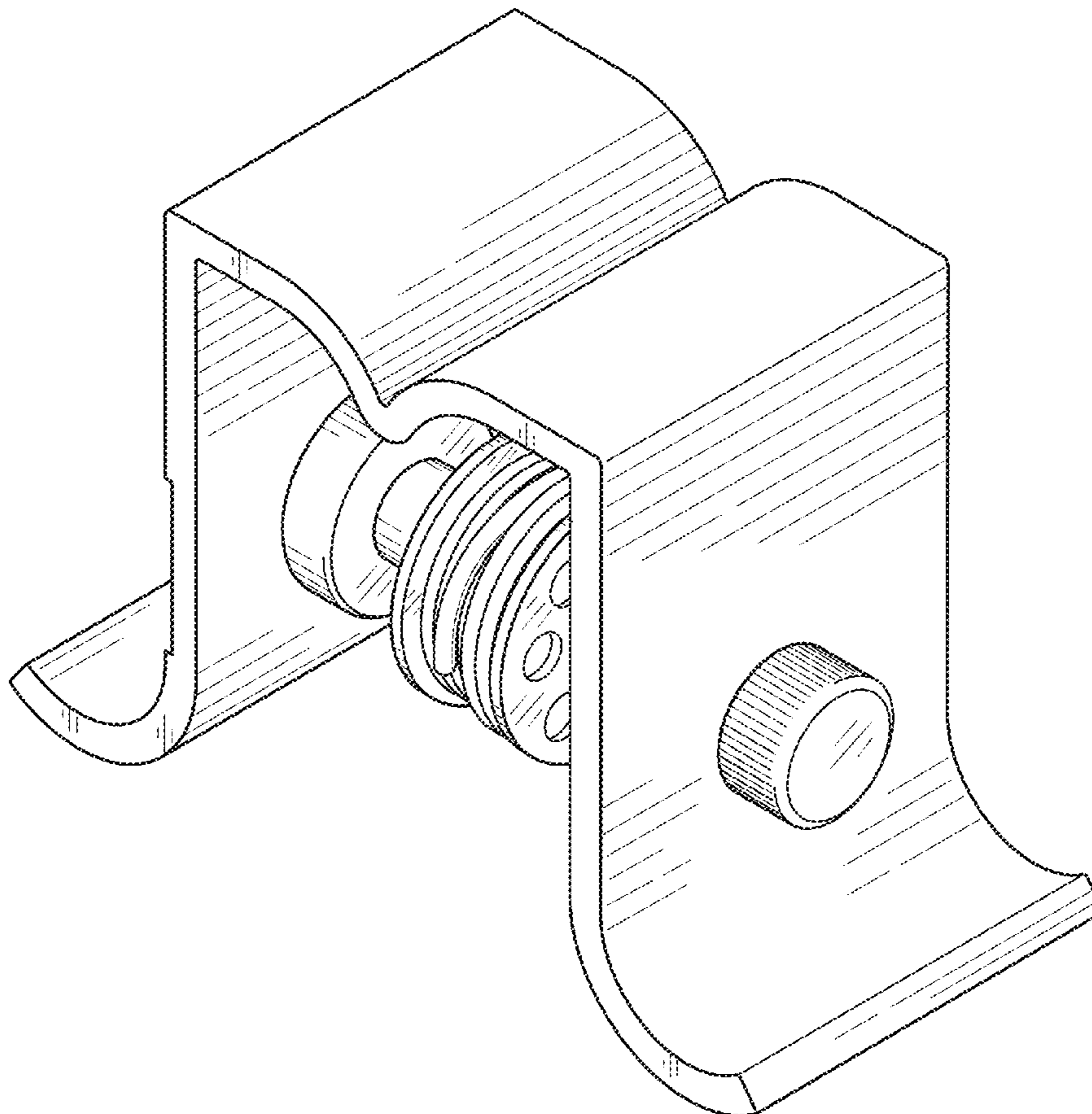
(57) **CLAIM**

The ornamental design for a server, as shown and described.

DESCRIPTION

FIG. 1 is a perspective view of my new ornamental design for a server;
FIG. 2 is an exploded perspective view of the server of FIG. 1;
FIG. 3 is a front-end view of the server of FIG. 1;
FIG. 4 is a back-end view of the server of FIG. 1;
FIG. 5 is a top-side view of the server of FIG. 1;
FIG. 6 is a bottom-side view of the server of FIG. 1;
FIG. 7 is a left-side view of the server of FIG. 1; and,
FIG. 8 is a right-side view of the server of FIG. 1.

1 Claim, 7 Drawing Sheets



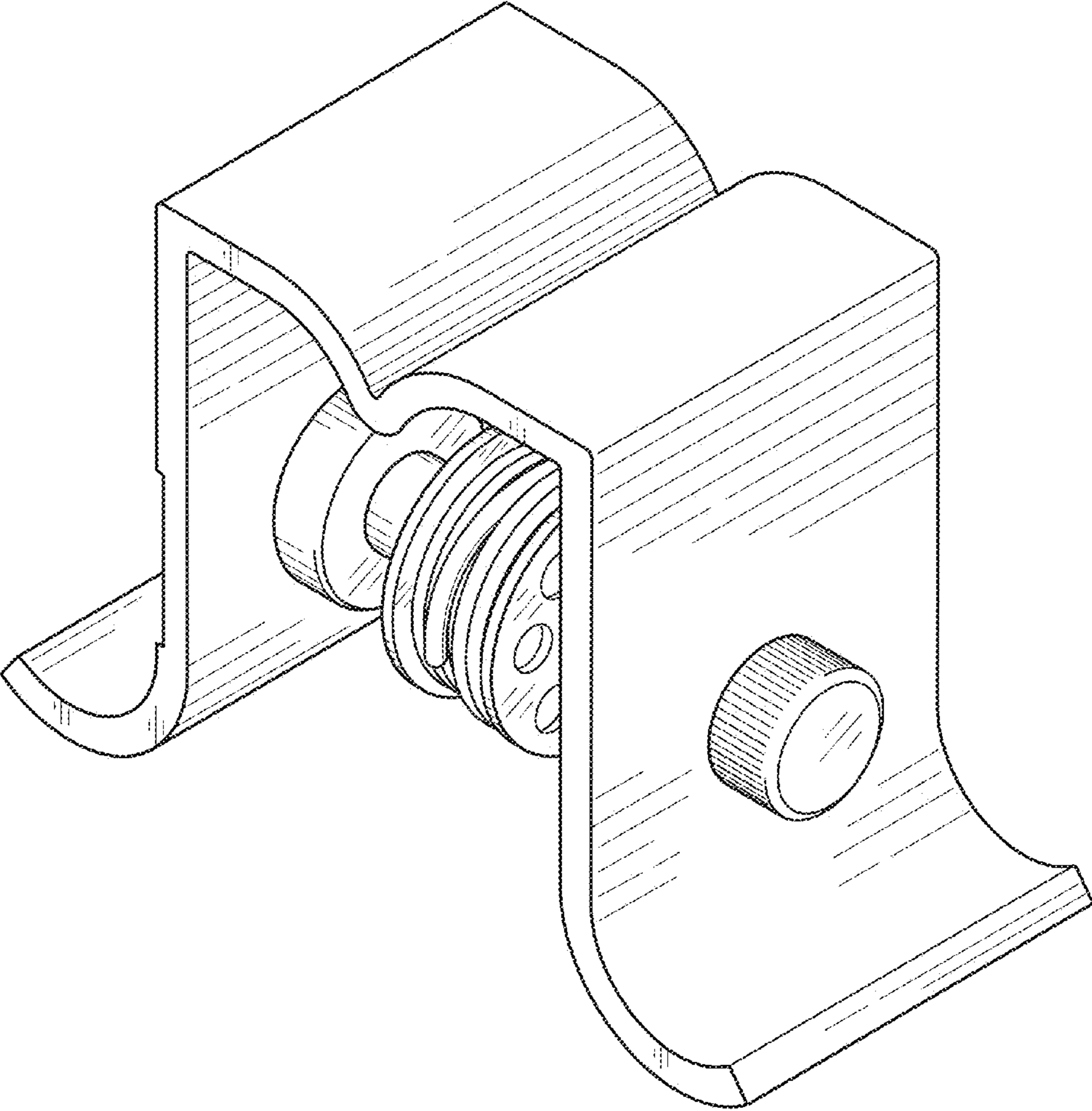


FIG. 1

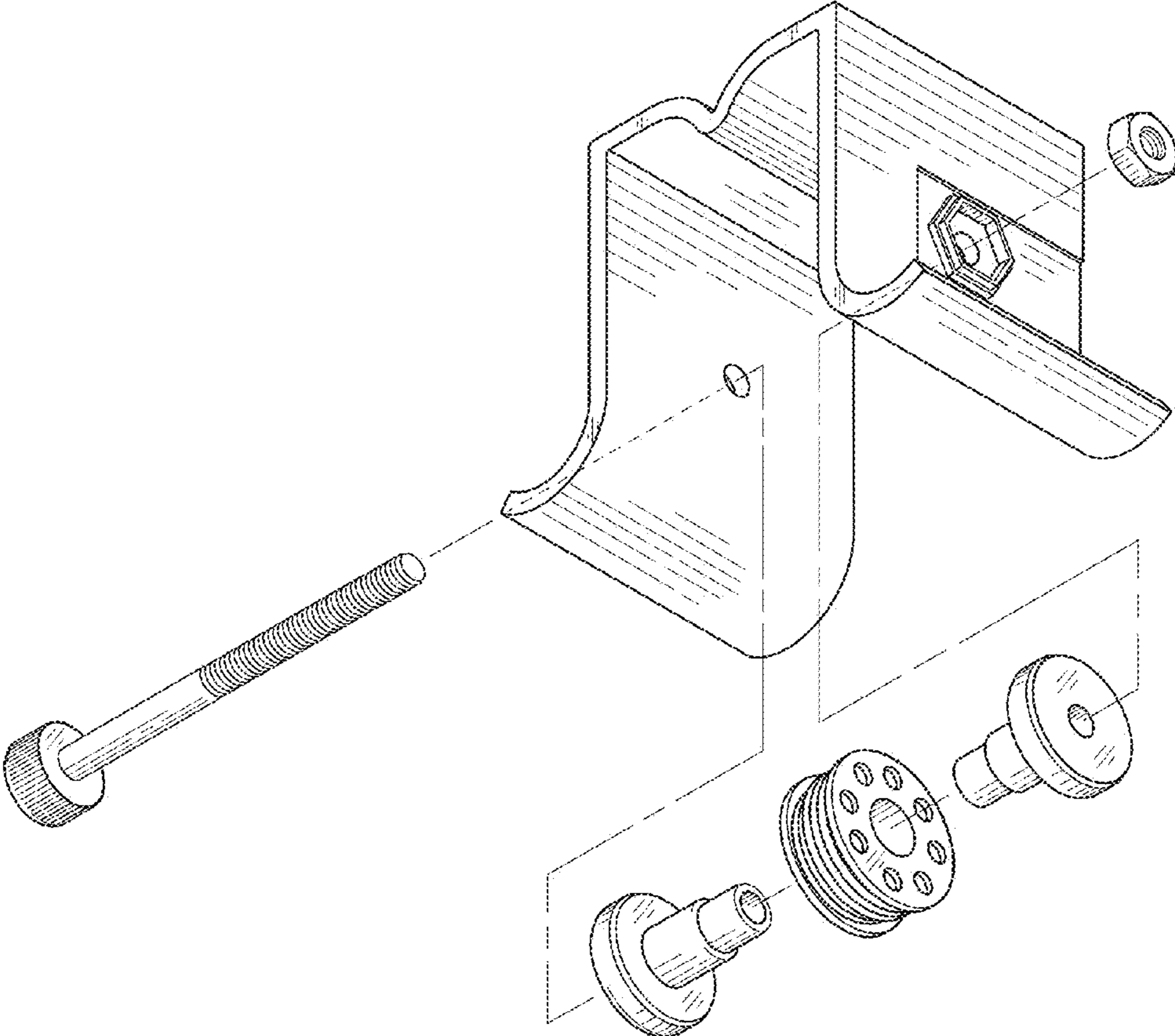


FIG. 2

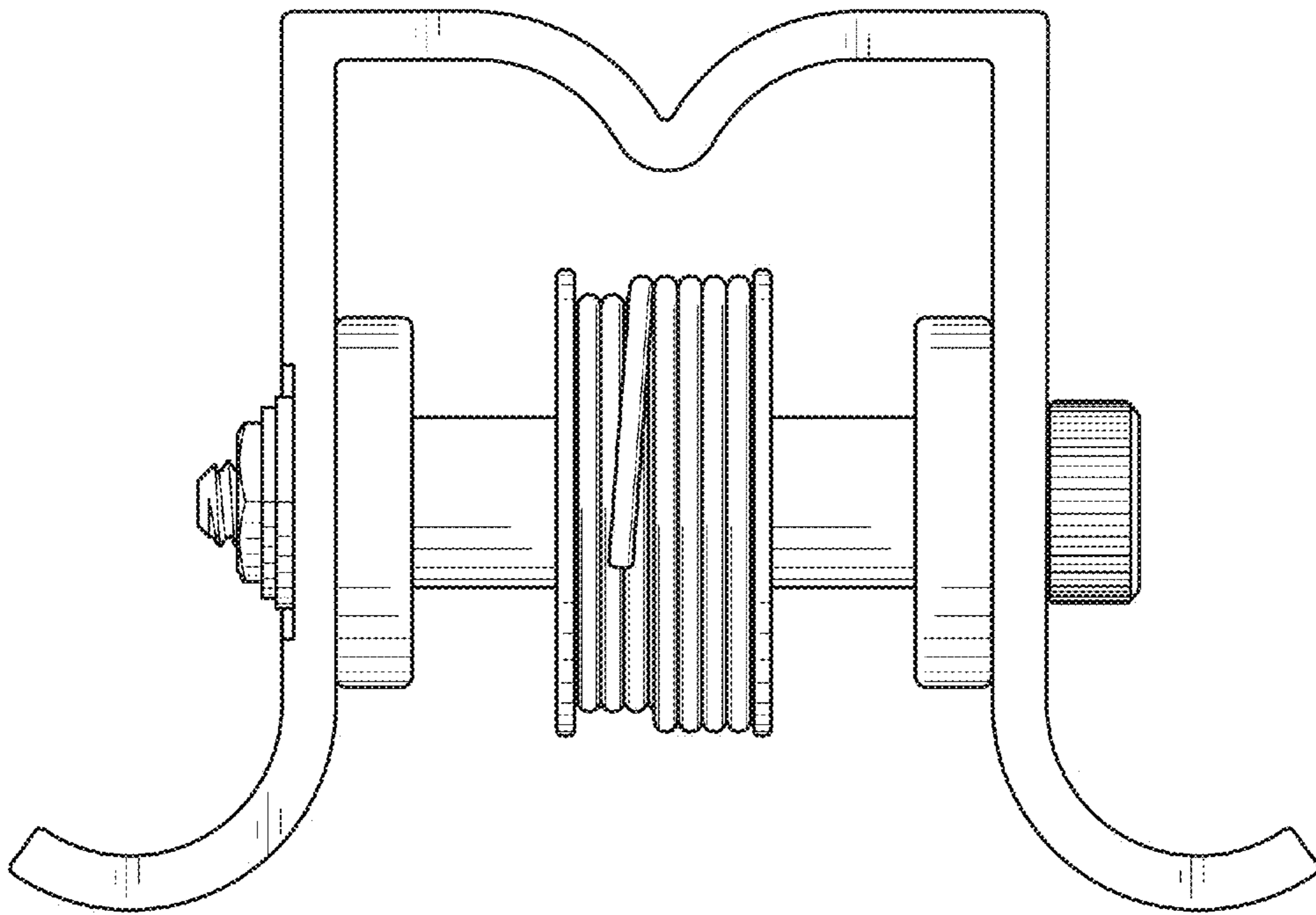


FIG. 3

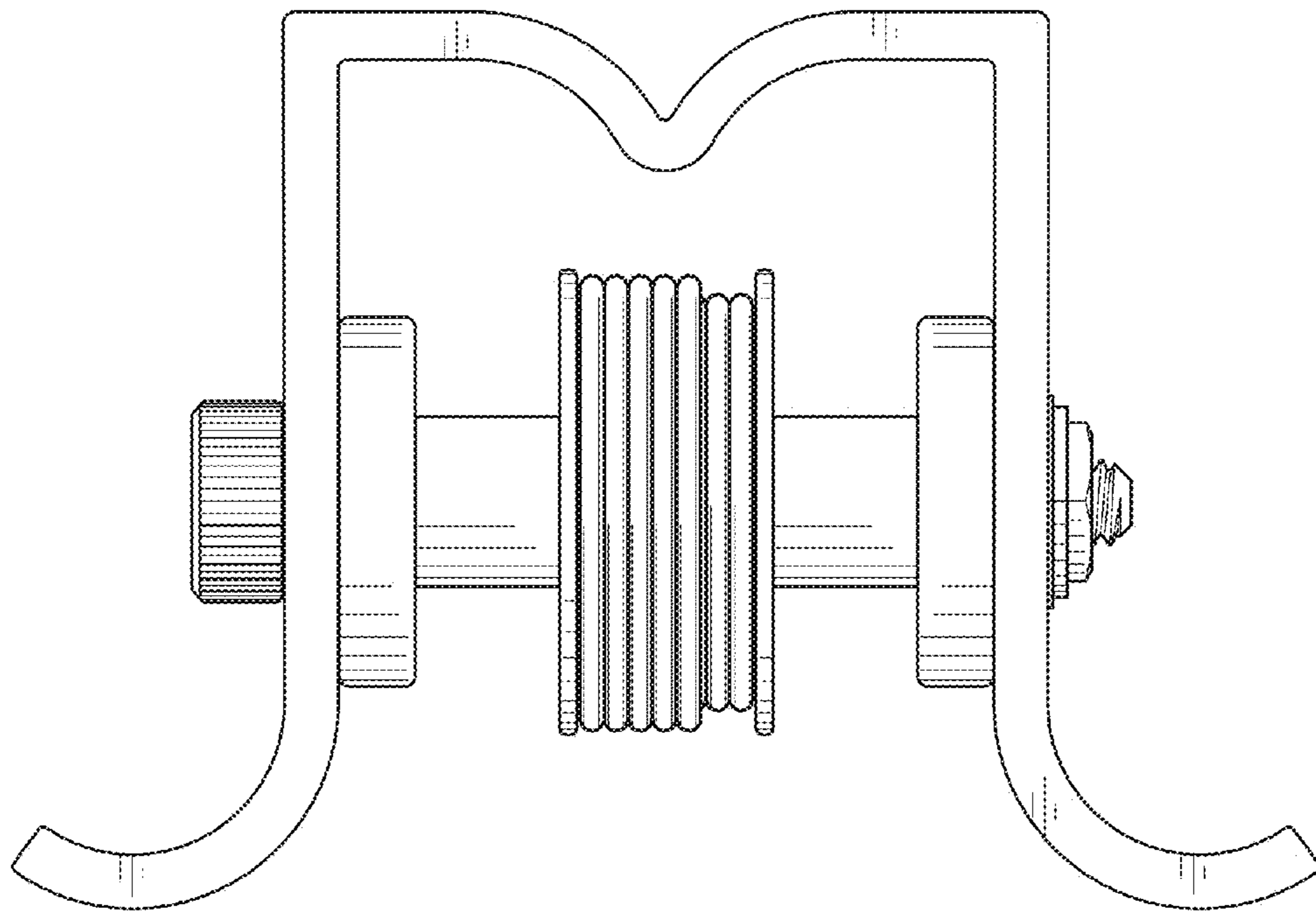


FIG. 4

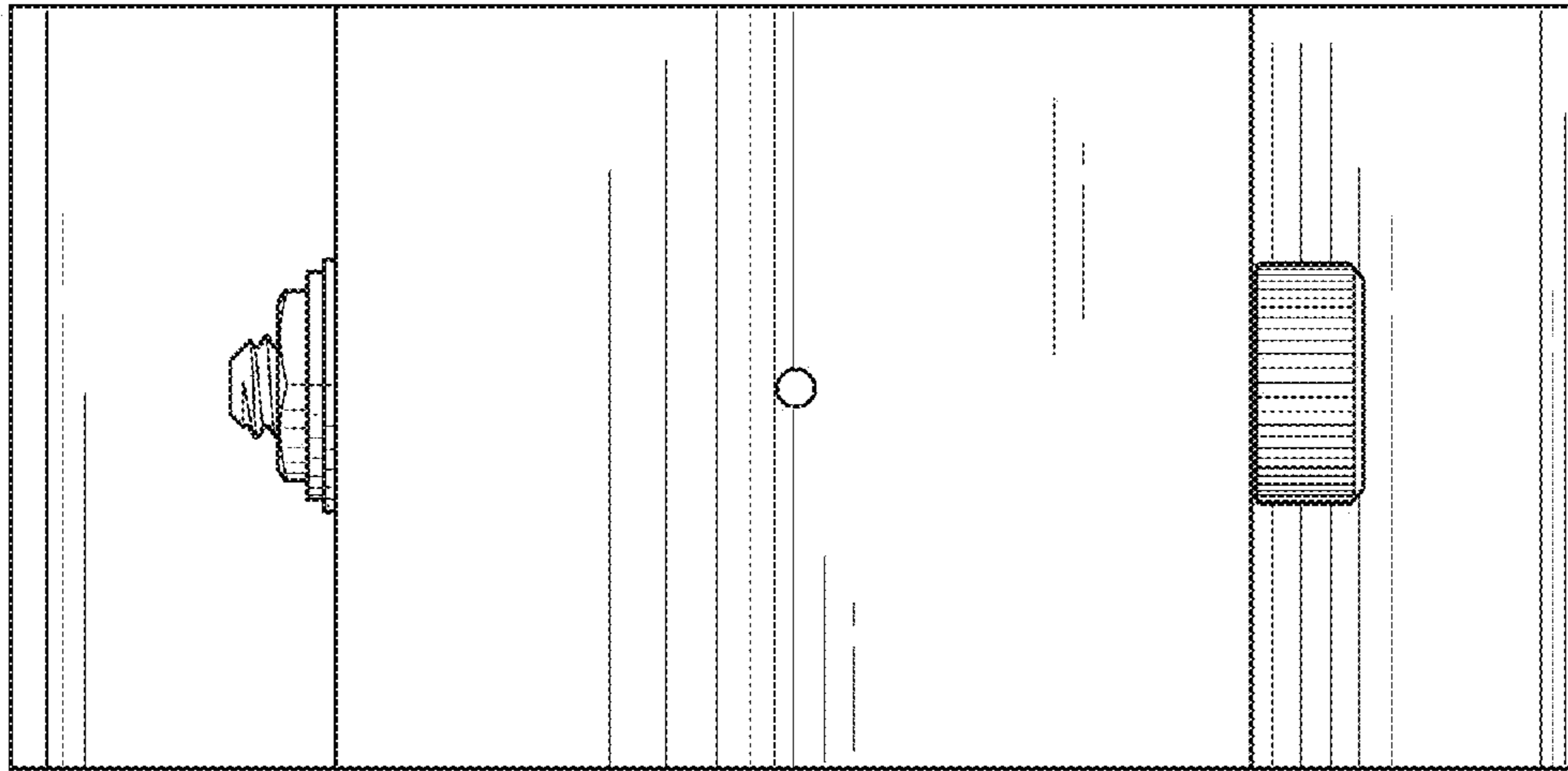


FIG. 5

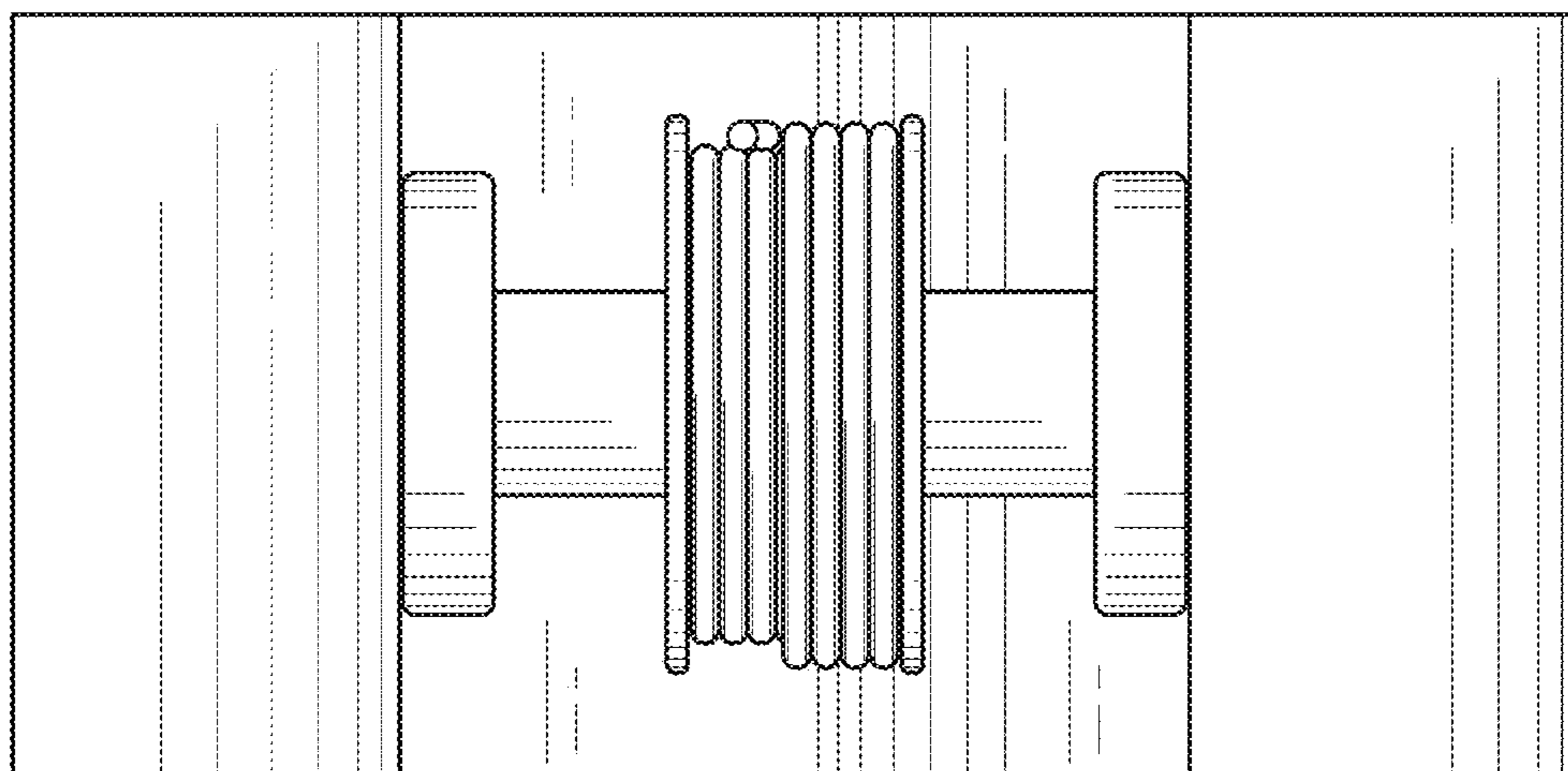


FIG. 6

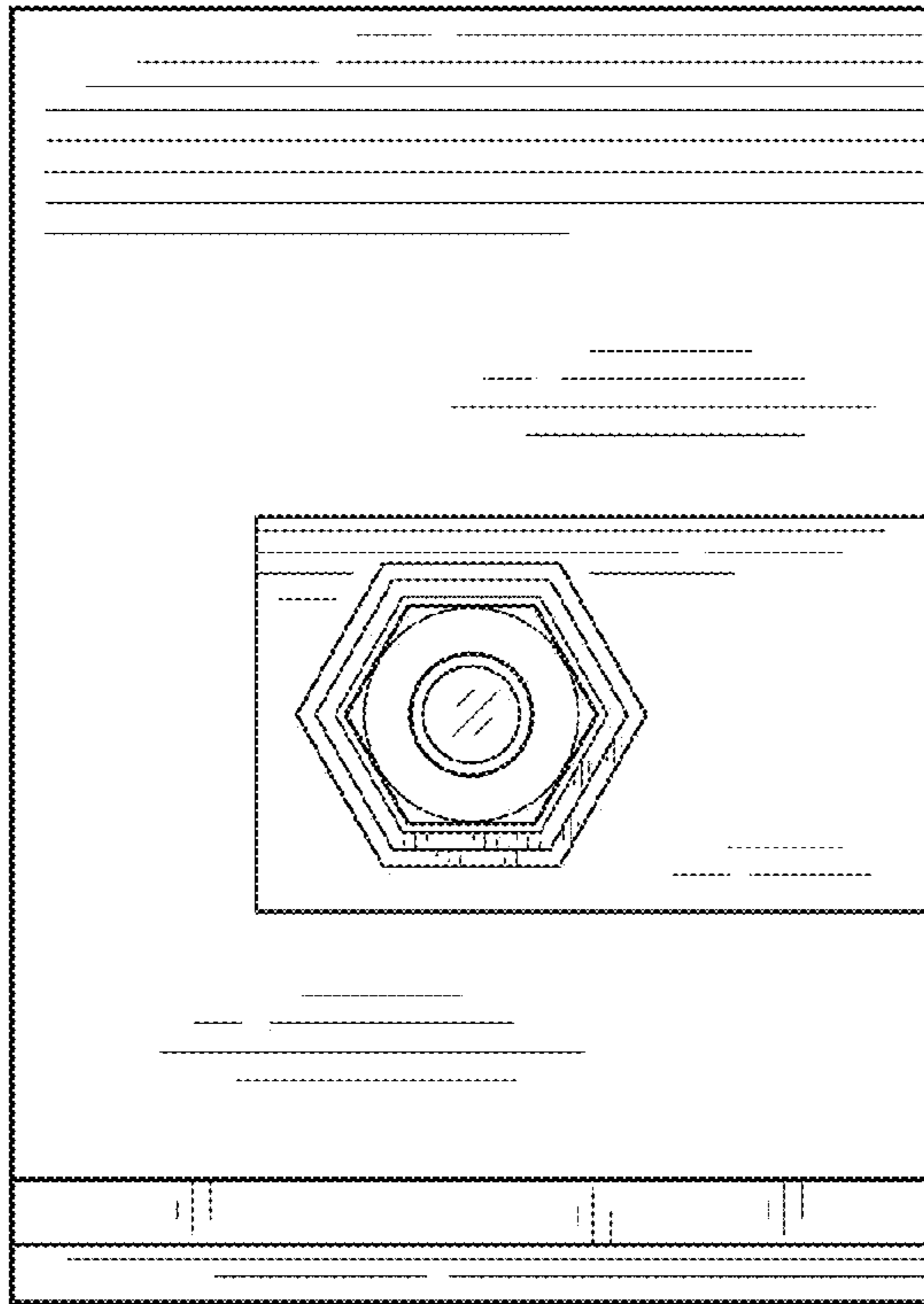


FIG. 7

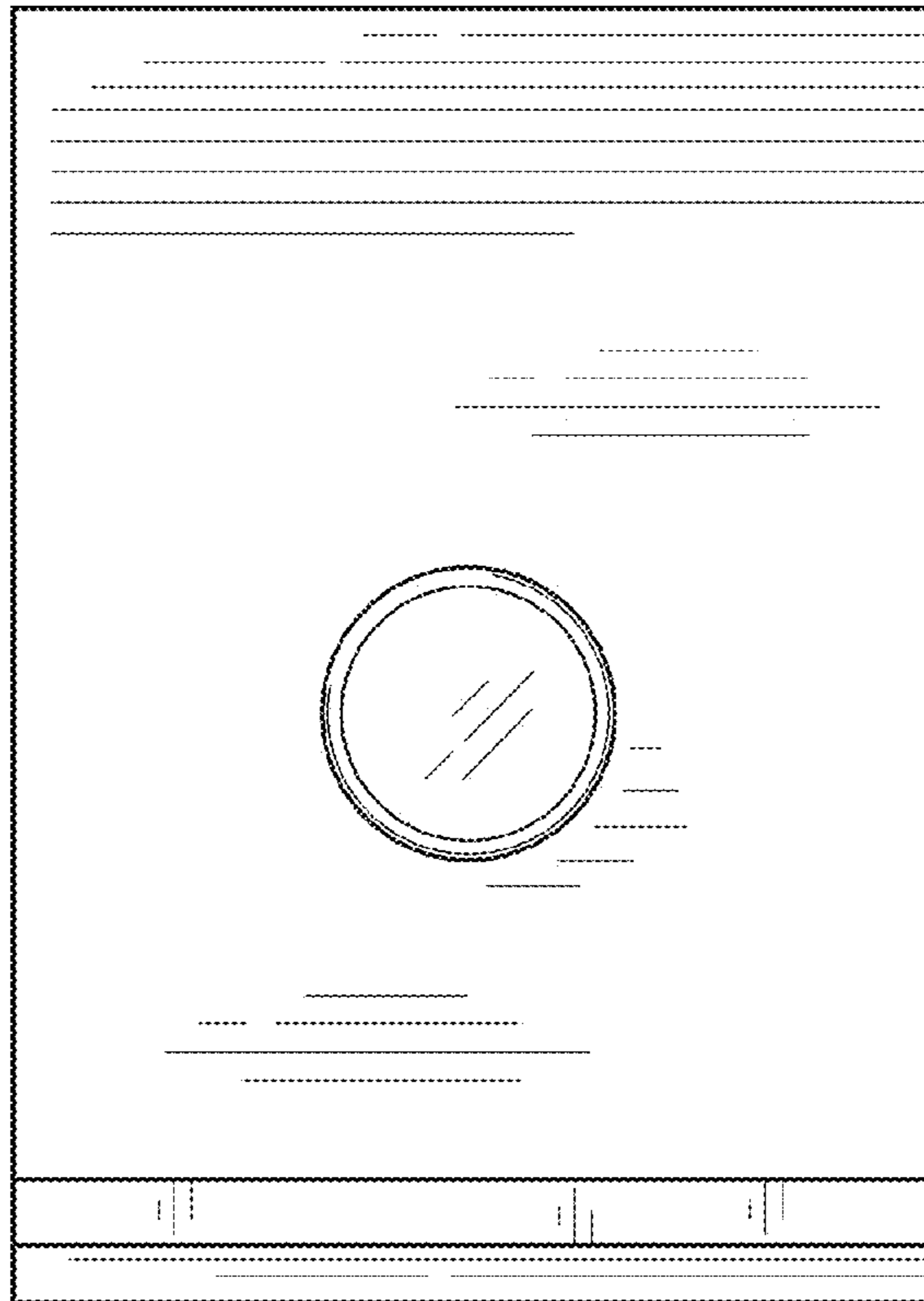


FIG. 8