



US00D709153S

(12) **United States Design Patent**
Fossum et al.

(10) **Patent No.:** **US D709,153 S**
(45) **Date of Patent:** **** Jul. 15, 2014**

- (54) **GOLF CLUB HEAD**
- (71) Applicant: **Karsten Manufacturing Corporation**,
Phoenix, AZ (US)
- (72) Inventors: **Brandon L. Fossum**, Phoenix, AZ (US);
Xiaojian Chen, Phoenix, AZ (US)
- (73) Assignee: **Karsten Manufacturing Corporation**,
Phoenix, AZ (US)

- 5,795,245 A 8/1998 Chang
- D398,682 S 9/1998 Moore
- D402,340 S 12/1998 Sheets
- D404,098 S 1/1999 Ishikawa
- 5,980,394 A 11/1999 Domas
- D418,888 S 1/2000 Williams
- D425,589 S 5/2000 Ishikawa
- D426,604 S 6/2000 Besnard
- 6,074,310 A 6/2000 Ota
- 6,080,069 A 6/2000 Long
- D433,073 S 10/2000 Sodano
- D441,818 S 5/2001 Sato

(**) Term: **14 Years**

(21) Appl. No.: **29/455,538**

(22) Filed: **May 21, 2013**

(51) **LOC (10) Cl.** **21-02**

(52) **U.S. Cl.**
USPC **D21/759**

(58) **Field of Classification Search**
USPC D21/733, 752, 759; 473/324–331,
473/343–346

See application file for complete search history.

(56) **References Cited**

U.S. PATENT DOCUMENTS

- 1,993,928 A 3/1935 Glover
- 2,041,676 A 5/1936 Gallagher
- D248,179 S 6/1978 Riley
- 4,139,196 A 2/1979 Riley
- 5,221,086 A 6/1993 Antonious
- 5,310,186 A 5/1994 Karsten
- 5,335,914 A 8/1994 Long
- D352,755 S 11/1994 Cornish, III
- D357,290 S 4/1995 Viollaz
- 5,547,188 A 8/1996 Dumontier
- D379,391 S 5/1997 Moore
- 5,658,206 A 8/1997 Antonious

(Continued)

OTHER PUBLICATIONS

Xiaojian Chen, et al, "Golf Club Head," U.S. Appl. No. 29/437,030, filed Nov. 12, 2012.

Primary Examiner — Mitchell Siegel

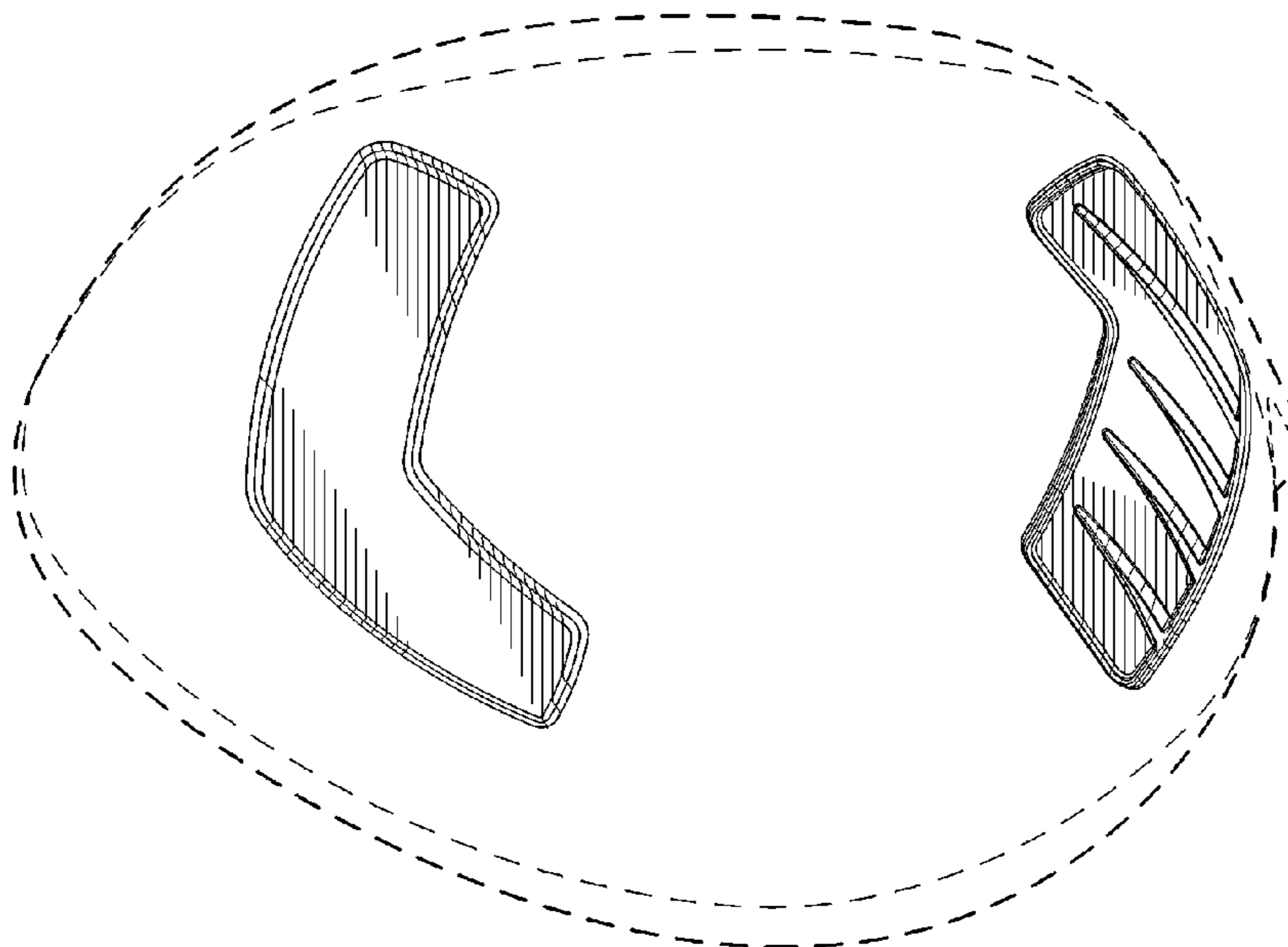
(57) **CLAIM**

The ornamental design for a golf club head, as shown and described.

DESCRIPTION

FIG. 1 is a top perspective view of a golf club head;
 FIG. 2 is a bottom perspective view of the golf club head of FIG. 1;
 FIG. 3 is a front view of the golf club head of FIG. 1;
 FIG. 4 is a rear view of the golf club head of FIG. 1;
 FIG. 5 is a top view of the golf club head of FIG. 1;
 FIG. 6 is a bottom view of the golf club head of FIG. 1;
 FIG. 7 is a right view of the golf club head of FIG. 1; and,
 FIG. 8 is a left view of the golf club head of FIG. 1.
 The broken lines shown in one or more of the figures are for illustrative purposes only and form no part of the claimed design.

1 Claim, 4 Drawing Sheets



(56)

References Cited

U.S. PATENT DOCUMENTS

D442,245 S	5/2001	Roach	D570,940 S	6/2008	Chen
D445,470 S	7/2001	Teramoto	D570,941 S	6/2008	Chen
D446,268 S	8/2001	Satoh	D571,882 S	6/2008	Soracco
D446,563 S	8/2001	Besnard	D572,324 S	7/2008	Chen
D461,865 S	8/2002	Nagai	D572,782 S	7/2008	Sanchez
D463,838 S	10/2002	Besnard	D572,783 S	7/2008	Sanchez
D465,251 S	11/2002	Wood	D572,784 S	7/2008	Sanchez
6,475,102 B2	11/2002	Helmstetter	D572,785 S	7/2008	Chen
D469,141 S	1/2003	Poynor	D572,787 S	7/2008	Sanchez
D472,950 S	4/2003	Burnett	D572,791 S	7/2008	Jertson
D482,421 S	11/2003	Kessler	D573,213 S	7/2008	Sanchez
D490,489 S	5/2004	Madore	D573,214 S	7/2008	Sanchez
D492,745 S	7/2004	Tang	D573,215 S	7/2008	Sanchez
D502,976 S	3/2005	Nishitani	D573,216 S	7/2008	Sanchez
D508,544 S	8/2005	Madore	D573,217 S	7/2008	Sanchez
D509,272 S	9/2005	Smith	D573,218 S	7/2008	Sanchez
6,939,247 B1	9/2005	Schweigert	D573,674 S	7/2008	Sanchez
D513,424 S	1/2006	Erickson	D573,675 S	7/2008	Sanchez
D514,179 S	1/2006	Chen	D573,676 S	7/2008	Chen
6,988,960 B2	1/2006	Mahaffey	D573,678 S	7/2008	Kawami
D518,129 S	3/2006	Poynor	D574,046 S	7/2008	Chen
D518,543 S	4/2006	Aguinaldo	D574,048 S	7/2008	Kadoya
D521,093 S	5/2006	Jorgensen	D574,049 S	7/2008	Kadoya
D522,077 S	5/2006	Schweigert	D574,050 S	7/2008	Jones
D522,601 S	6/2006	Schweigert	7,396,296 B2	7/2008	Evans
D523,103 S	6/2006	Hocknell	D574,456 S	8/2008	Chen
D523,498 S	6/2006	Chen	D578,587 S	10/2008	Hoffman
D523,502 S	6/2006	Jorgensen	D579,066 S	10/2008	Dipert
D526,694 S	8/2006	Schweigert	D579,067 S	10/2008	Hoffman
D529,111 S	9/2006	Cleveland	D580,504 S	11/2008	Bosilkovski
D530,761 S	10/2006	Evans	D583,432 S	12/2008	Serrano
D532,473 S	11/2006	Chen	D587,772 S	3/2009	Ferguson
D532,474 S	11/2006	Bennett	D588,217 S	3/2009	Jertson
D532,854 S	11/2006	Oldknow	D588,220 S	3/2009	Ferguson
D535,343 S	1/2007	Chen	D588,659 S	3/2009	Jertson
D536,049 S	1/2007	Evans	D589,576 S	3/2009	Kadoya
D537,139 S	2/2007	Breier	7,503,854 B2	3/2009	Galloway
D537,495 S	2/2007	Schweigert	D591,810 S	5/2009	Murphy
D537,496 S	2/2007	Serrano	D591,817 S	5/2009	Murphy
D537,895 S	3/2007	Breier	D591,818 S	5/2009	Roberts
D538,363 S	3/2007	Schweigert	D594,518 S	6/2009	Schweigert
D538,371 S	3/2007	Kawami	D594,521 S	6/2009	Jertson
D538,866 S	3/2007	Kim	D594,919 S	6/2009	Schweigert
D538,867 S	3/2007	Cleveland	D595,381 S	6/2009	Waggoner
D539,371 S	3/2007	Chen et al.	D596,252 S	7/2009	Jertson
D541,364 S	4/2007	Barez	D598,062 S	8/2009	Dipert
D550,318 S	9/2007	Oldknow	D600,297 S	9/2009	Jertson
D550,799 S	9/2007	Lin	D603,472 S	11/2009	Schweigert
D552,198 S	10/2007	Schweigert	D603,919 S	11/2009	Gray
D553,206 S	10/2007	Morales	D604,376 S	11/2009	Darley
D555,745 S	11/2007	Rollinson	D609,293 S	2/2010	Williams
D557,362 S	12/2007	Serrano	D609,294 S	2/2010	Oldknow
D557,363 S	12/2007	Jertson	D611,555 S	3/2010	Oldknow
D558,287 S	12/2007	Jertson	D612,005 S	3/2010	Oldknow
D558,288 S	12/2007	Jertson	D613,805 S	4/2010	Sutovsky
D561,286 S	2/2008	Morales	D618,747 S	6/2010	Schweigert
D562,421 S	2/2008	Jertson	D618,753 S	6/2010	Jertson
7,326,472 B2	2/2008	Shimazaki	D618,754 S	6/2010	Schweigert
D563,498 S	3/2008	Jertson	7,892,111 B2	2/2011	Morales
D564,054 S	3/2008	Jertson	D635,626 S *	4/2011	Nicolette D21/759
D564,055 S	3/2008	Jertson	D638,896 S *	5/2011	Schweigert et al. D21/759
D564,056 S	3/2008	Chen	D647,585 S *	10/2011	Jertson et al. D21/759
D566,214 S	4/2008	Evans	D661,751 S	6/2012	Nicolette
D567,317 S	4/2008	Jertson	D661,752 S	6/2012	Stokke
D567,891 S	4/2008	Serrano	D661,756 S	6/2012	Nicolette
D569,933 S	5/2008	Jertson	D661,757 S *	6/2012	Stokke et al. D21/759
D569,934 S	5/2008	Jertson	D673,630 S *	1/2013	Schweigert D21/752
D569,935 S	5/2008	Schweigert	D673,632 S *	1/2013	Schweigert et al. D21/759
D569,936 S	5/2008	Schweigert	D680,179 S *	4/2013	Solheim et al. D21/752
D569,937 S	5/2008	Sanchez	D691,230 S *	10/2013	Chen et al. D21/759
D569,938 S	5/2008	Sanchez	D696,739 S *	12/2013	Stokke et al. D21/759
D570,937 S	6/2008	Schweigert	2005/0043117 A1	2/2005	Gilbert
D570,938 S	6/2008	Jertson	2008/0039228 A1	2/2008	Breier
D570,939 S	6/2008	Chen	2008/0171612 A1	7/2008	Serrano
			2008/0188322 A1	8/2008	Anderson
			2009/0275419 A1	11/2009	Cackett

* cited by examiner

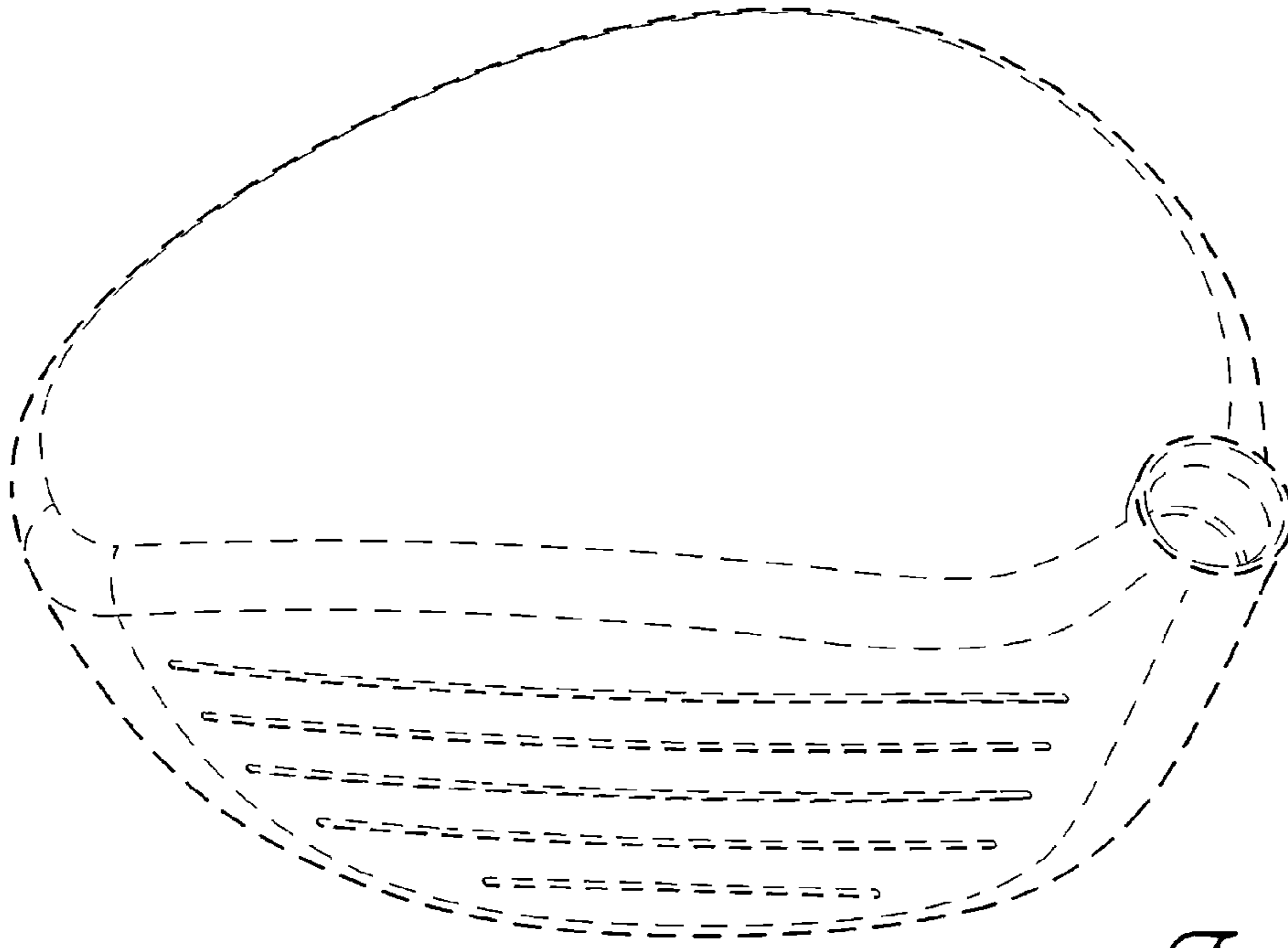


Fig. 1

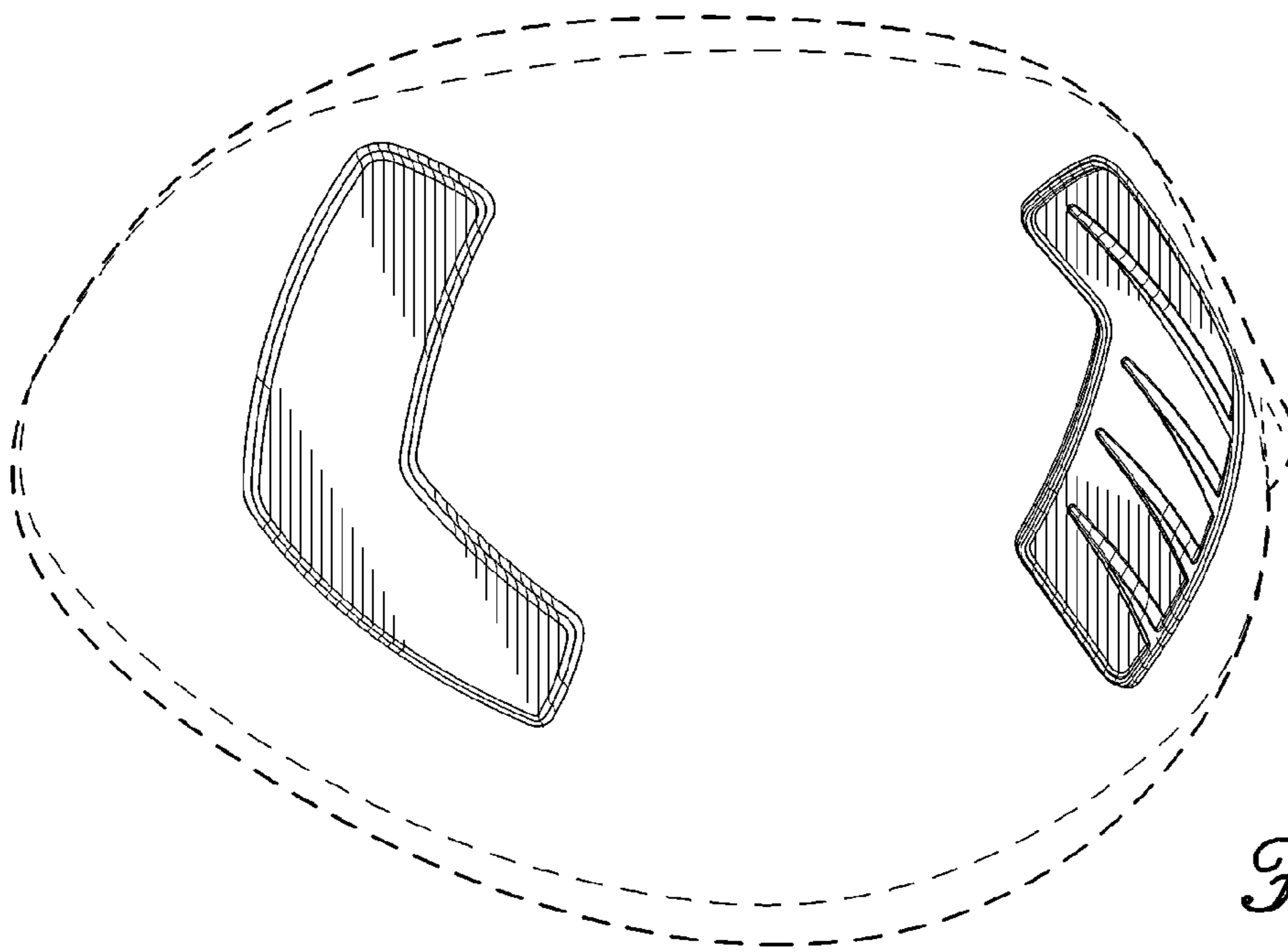


Fig. 2

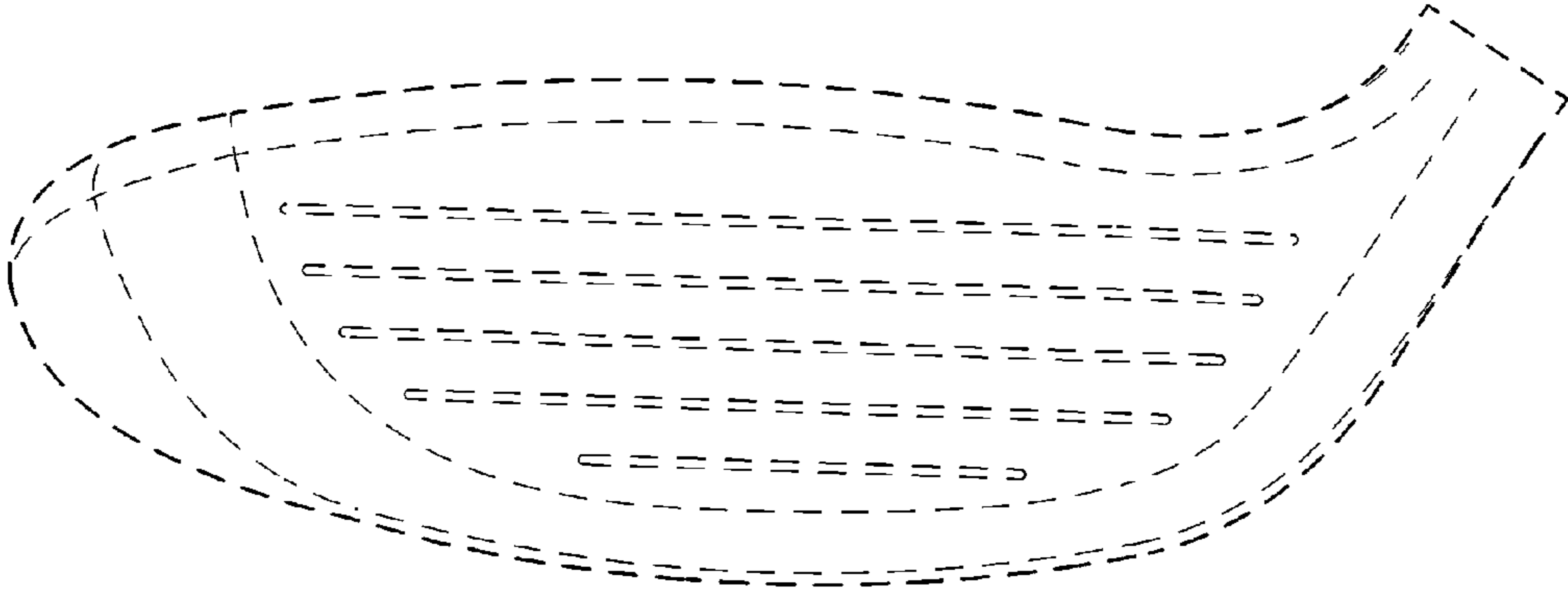


Fig. 3

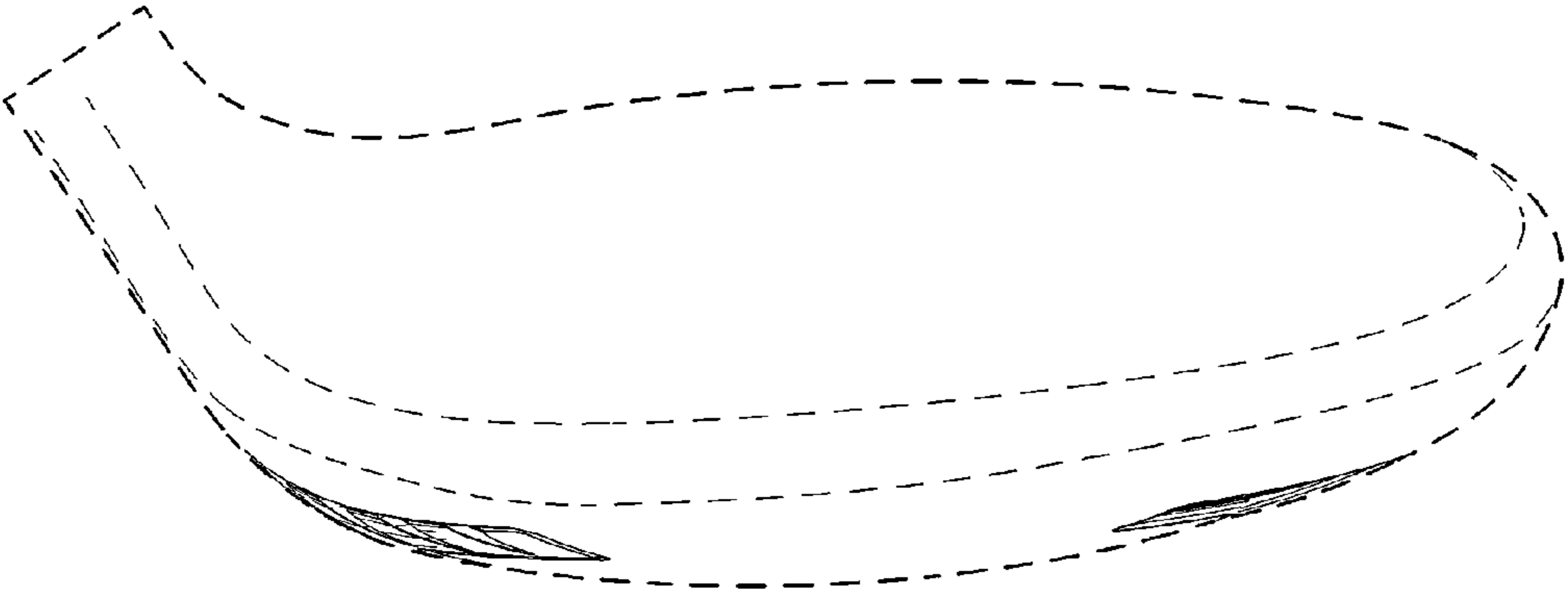
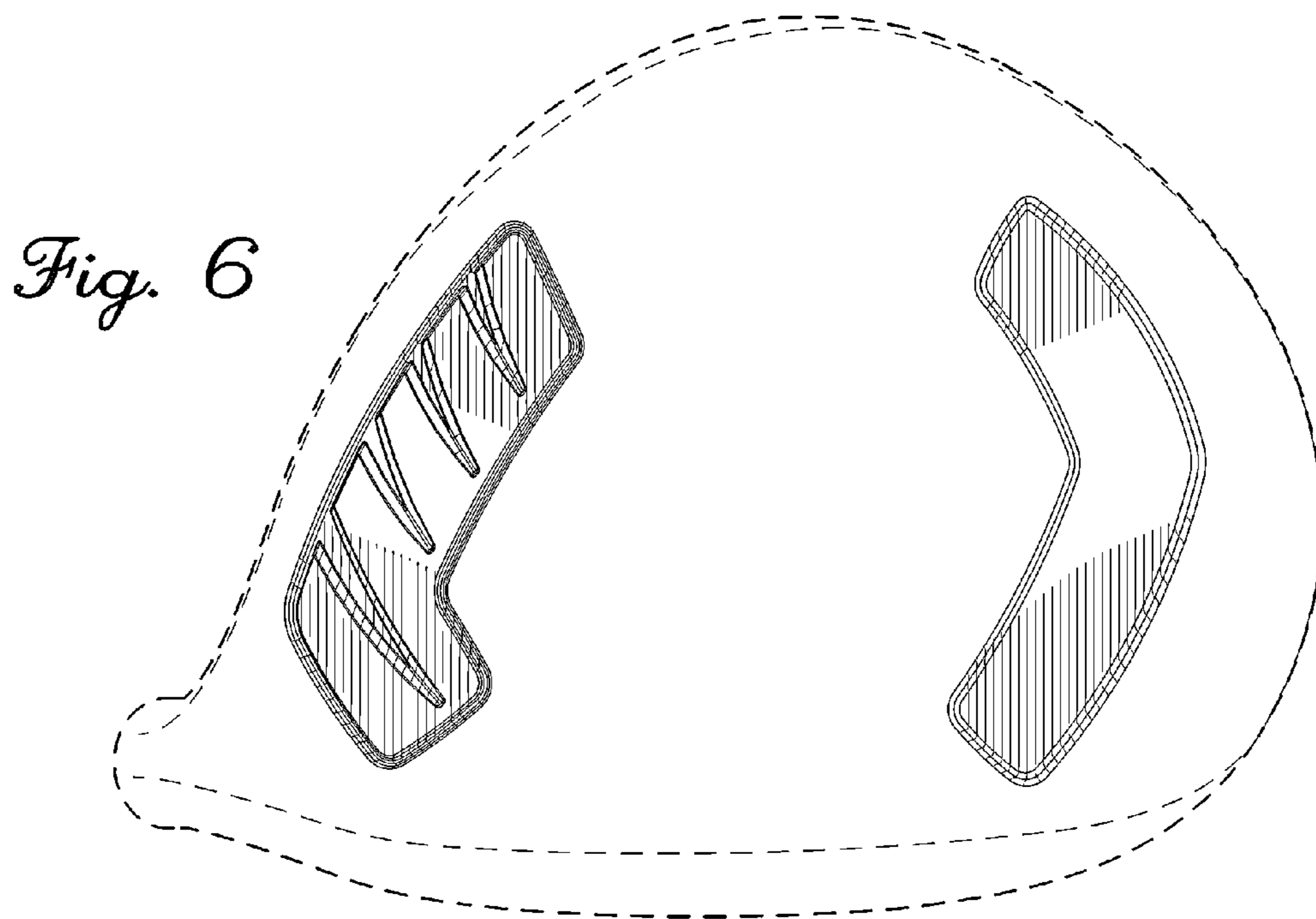
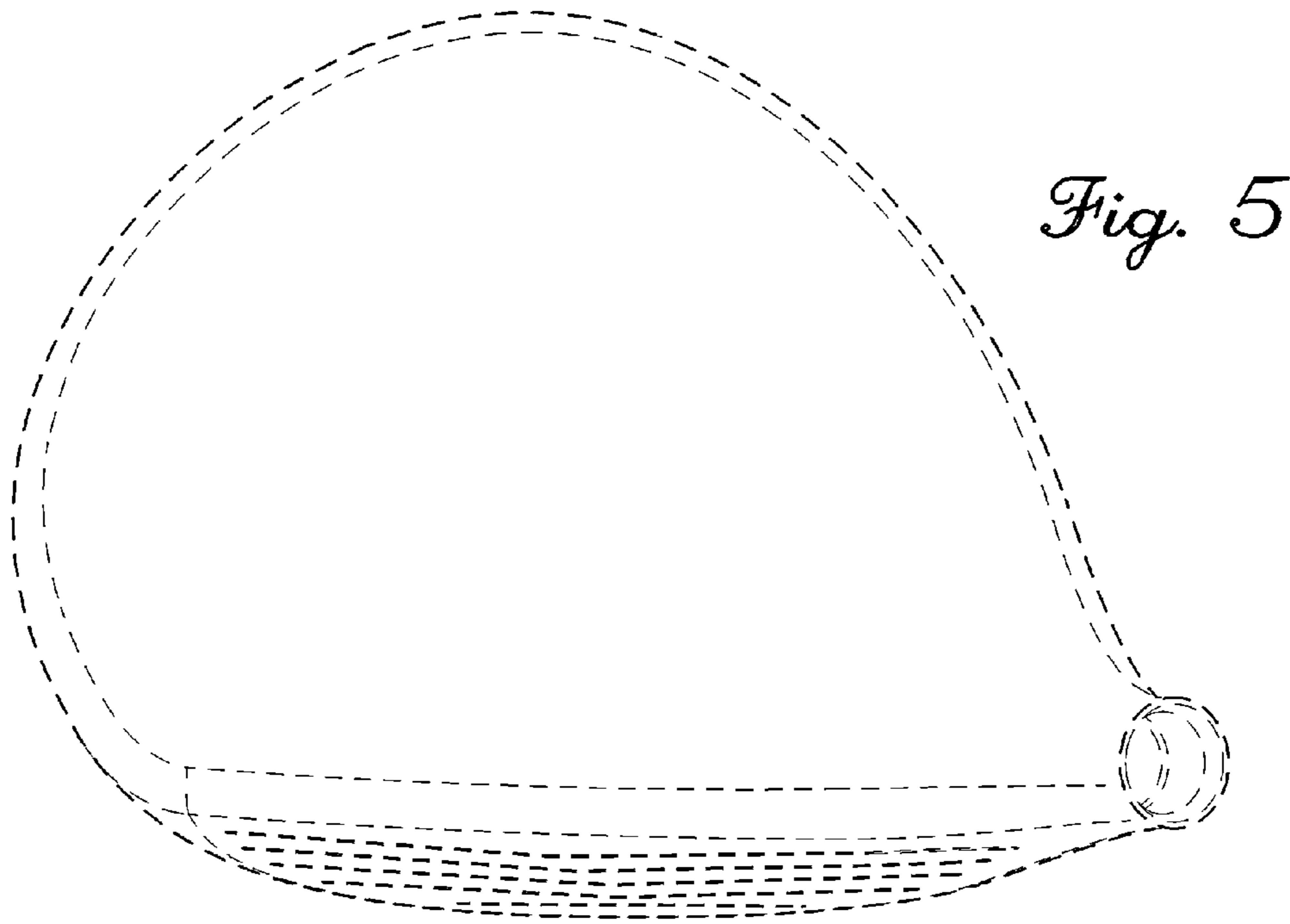


Fig. 4



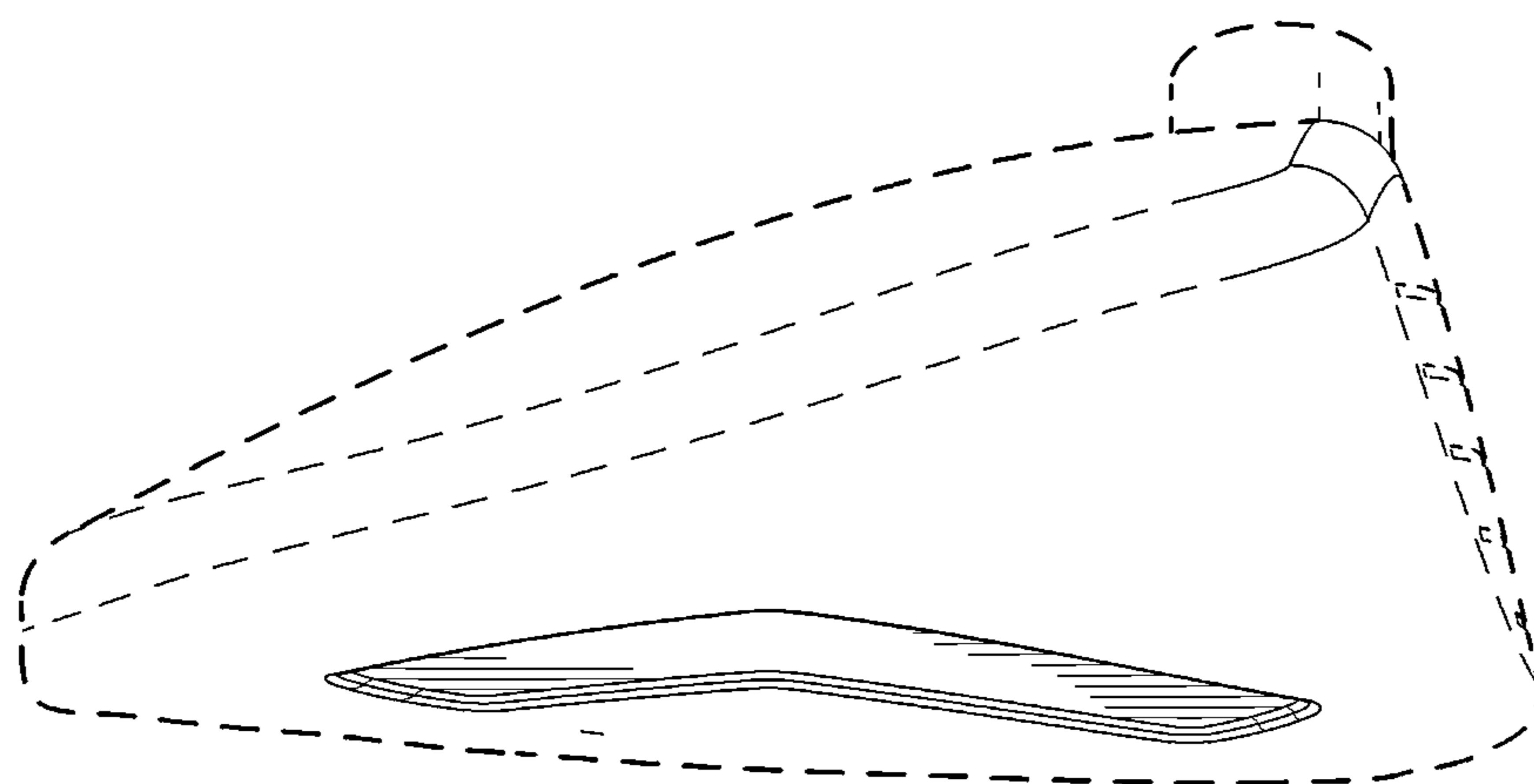


Fig. 7

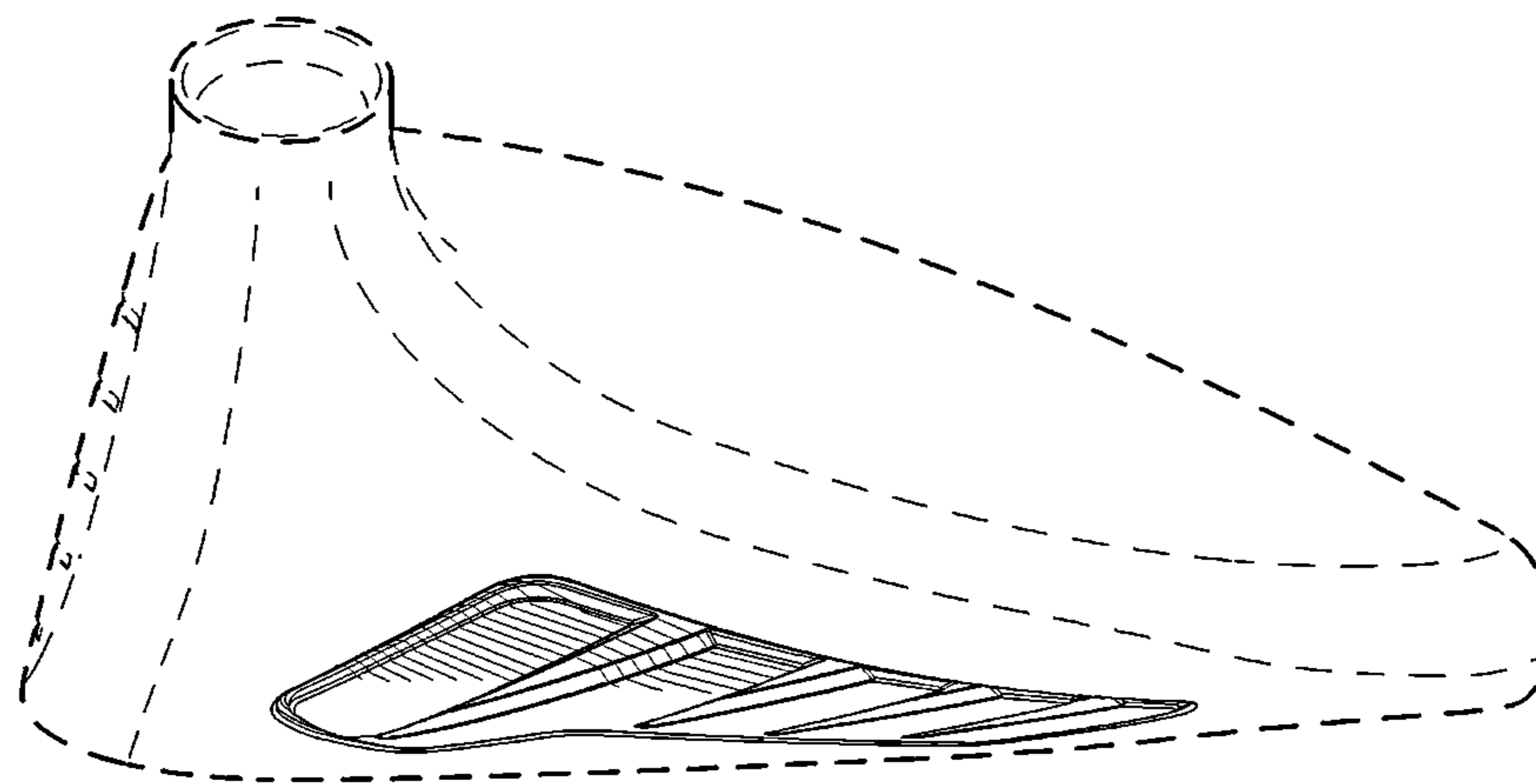


Fig. 8