



US00D709150S

(12) **United States Design Patent**
Day et al.

(10) **Patent No.:** **US D709,150 S**
(45) **Date of Patent:** **** Jul. 15, 2014**

(54) **GOLF CLUB HEAD**

(71) Applicant: **Cobra Golf Incorporated**, Carlsbad, CA (US)

(72) Inventors: **Cameron J. Day**, Aliso Viejo, CA (US); **Christopher D. Harvell**, Escondido, CA (US); **Steven M. Mitzel**, San Marcos, CA (US); **Oswaldo Gonzalez**, San Jacinto, CA (US); **Douglas E. Roberts**, Carlsbad, CA (US); **Sean Tang**, Irvine, CA (US)

(73) Assignee: **Cobra Golf Incorporated**, Carlsbad, CA (US)

(**) Term: **14 Years**

(21) Appl. No.: **29/458,857**

(22) Filed: **Jun. 24, 2013**

(51) **LOC (10) Cl.** **21-07**

(52) **U.S. Cl.**
USPC **D21/752**

(58) **Field of Classification Search**
USPC D21/733, 752, 759; 473/324–331, 473/343–346

See application file for complete search history.

(56) **References Cited**

U.S. PATENT DOCUMENTS

D410,057 S * 5/1999 Ortiz D21/752
D442,244 S * 5/2001 Olsavsky et al. D21/752

D545,389 S * 6/2007 Glod D21/759
D602,545 S * 10/2009 Oldknow D21/752
D607,953 S * 1/2010 Oldknow D21/759
D661,751 S * 6/2012 Nicolette et al. D21/752
D667,908 S * 9/2012 Shimazaki D21/759

* cited by examiner

Primary Examiner — Mitchell Siegel
(74) *Attorney, Agent, or Firm* — Mark S. Leonardo; Brown Rudnick LLP

(57) **CLAIM**
The ornamental design for a golf club head, as shown and described.

DESCRIPTION

FIG. 1 illustrates a top side perspective view of a golf club head employing an ornamental design in accordance with the present invention;
FIG. 2 illustrates a bottom side perspective view of the golf club head of FIG. 1;
FIG. 3 illustrates a top side view of the golf club head of FIG. 1;
FIG. 4 illustrates a bottom side view of the golf club head of FIG. 1;
FIG. 5 illustrates a front side view of the golf club head of FIG. 1;
FIG. 6 illustrates a back side view of the golf club head of FIG. 1;
FIG. 7 illustrates a right side view of the golf club head of FIG. 1; and,
FIG. 8 illustrates a left side view of the golf club head of FIG. 1.
All features illustrated in phantom line are expressly disclaimed and form no part of the claimed design.

1 Claim, 8 Drawing Sheets

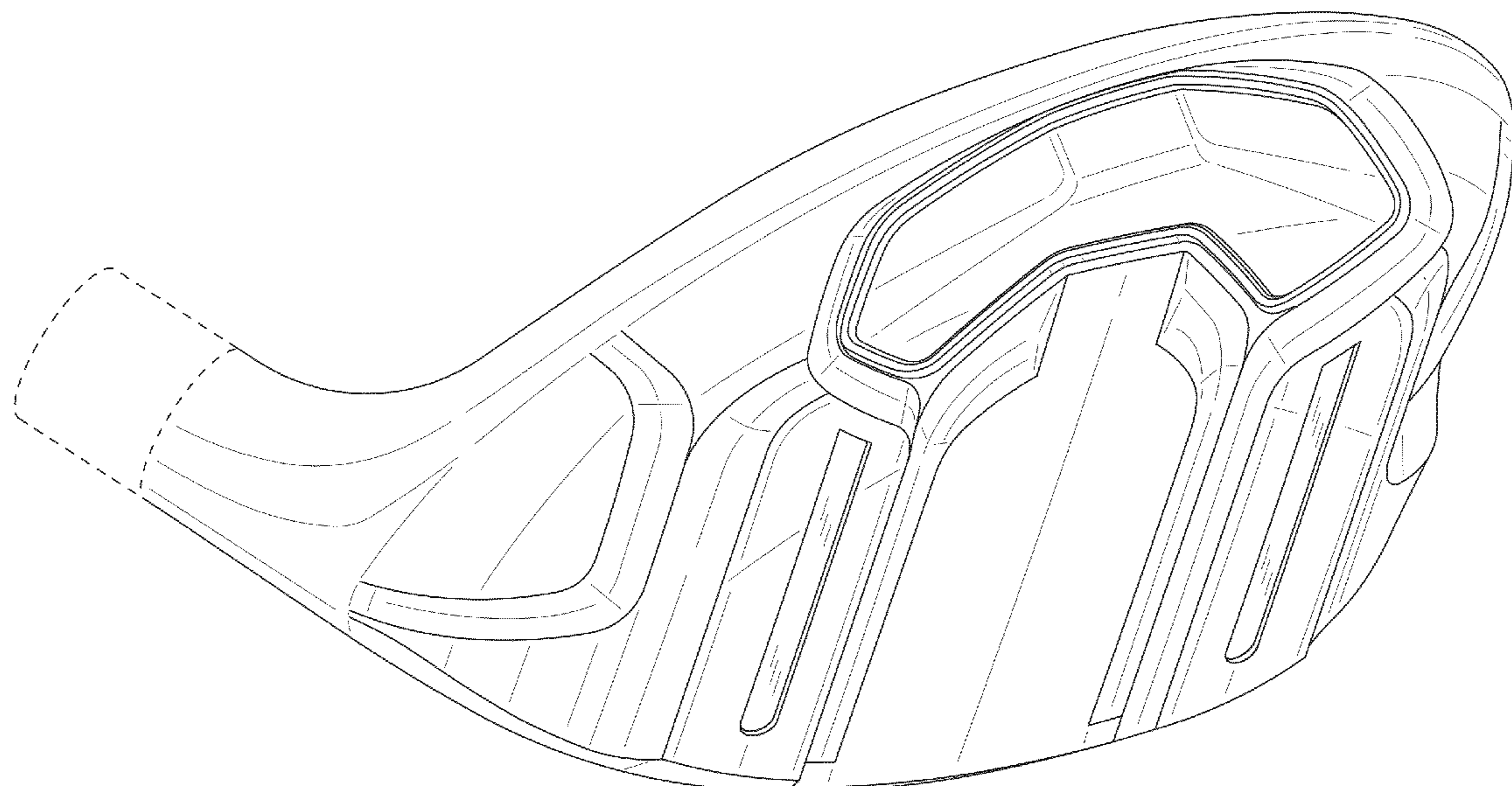




Fig. 1

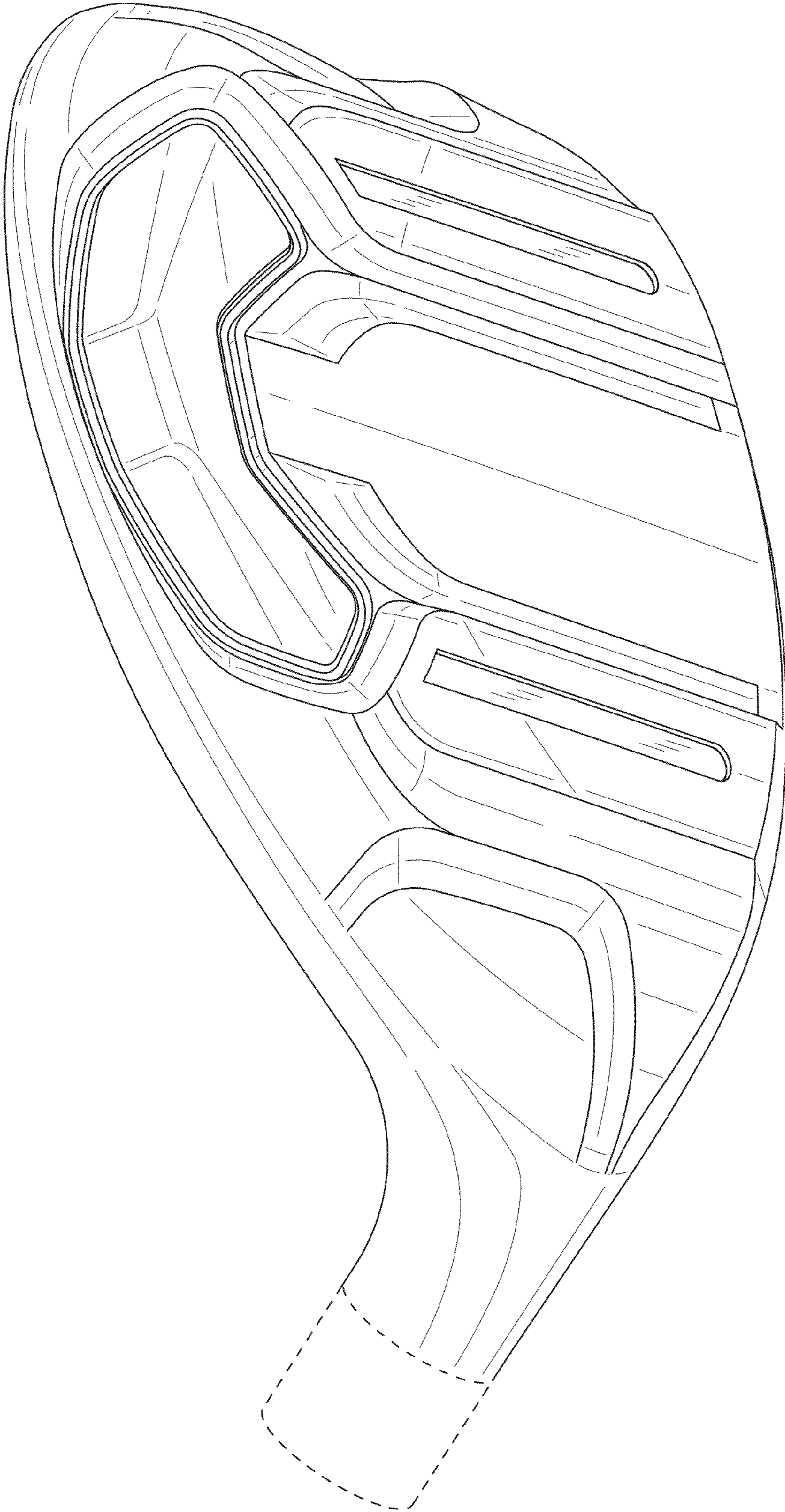


Fig.2

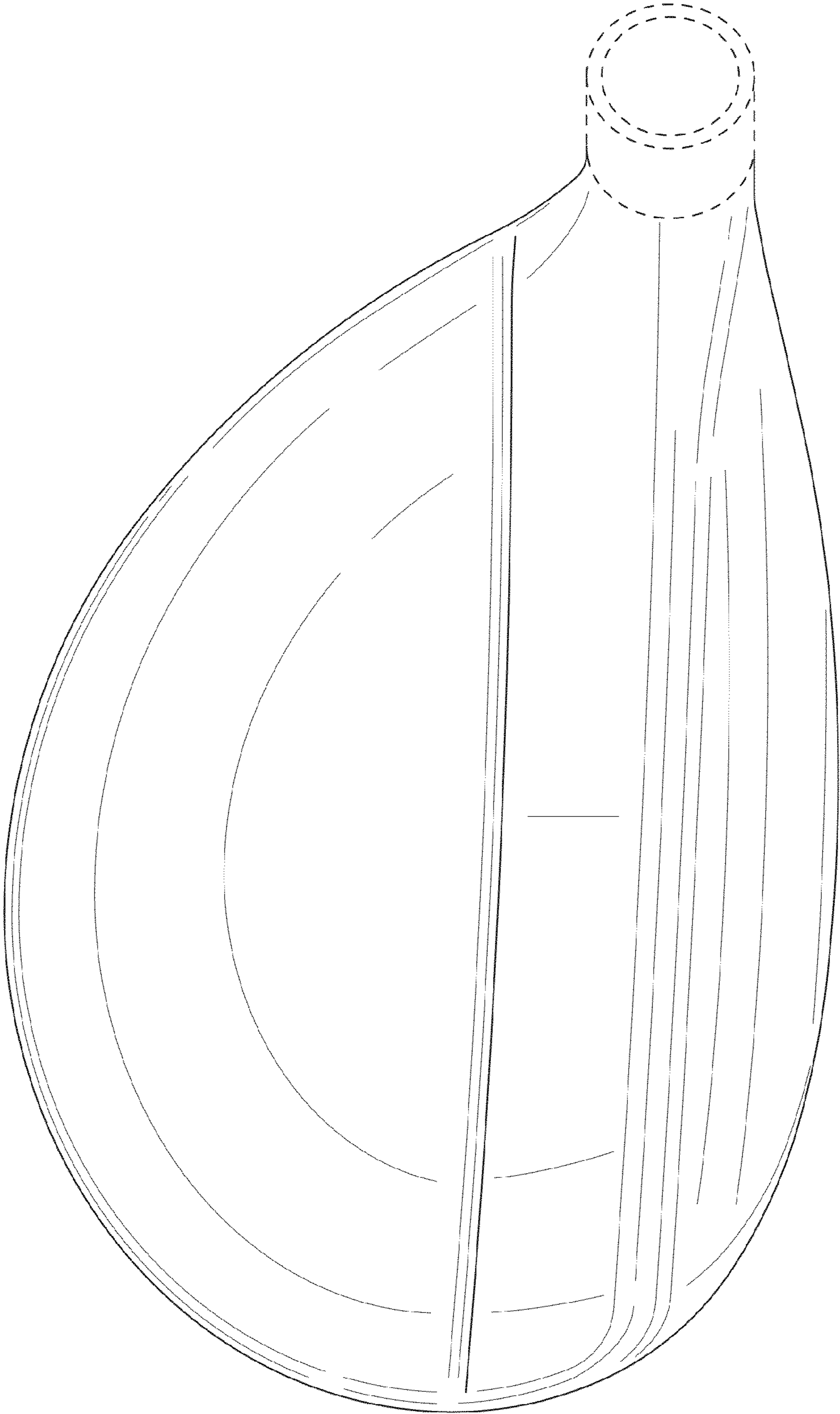


Fig. 3

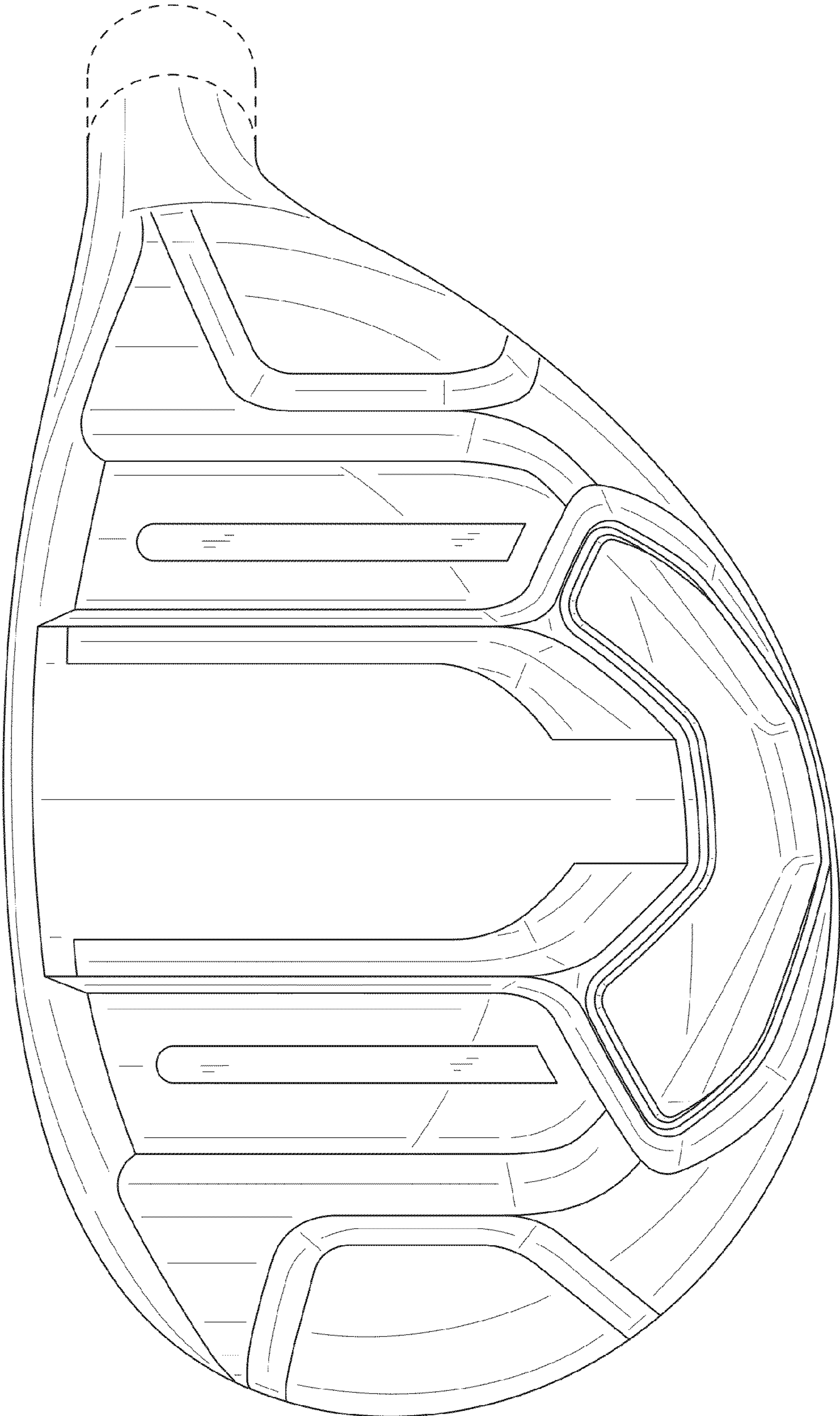


Fig. 4



Fig. 5



Fig.6

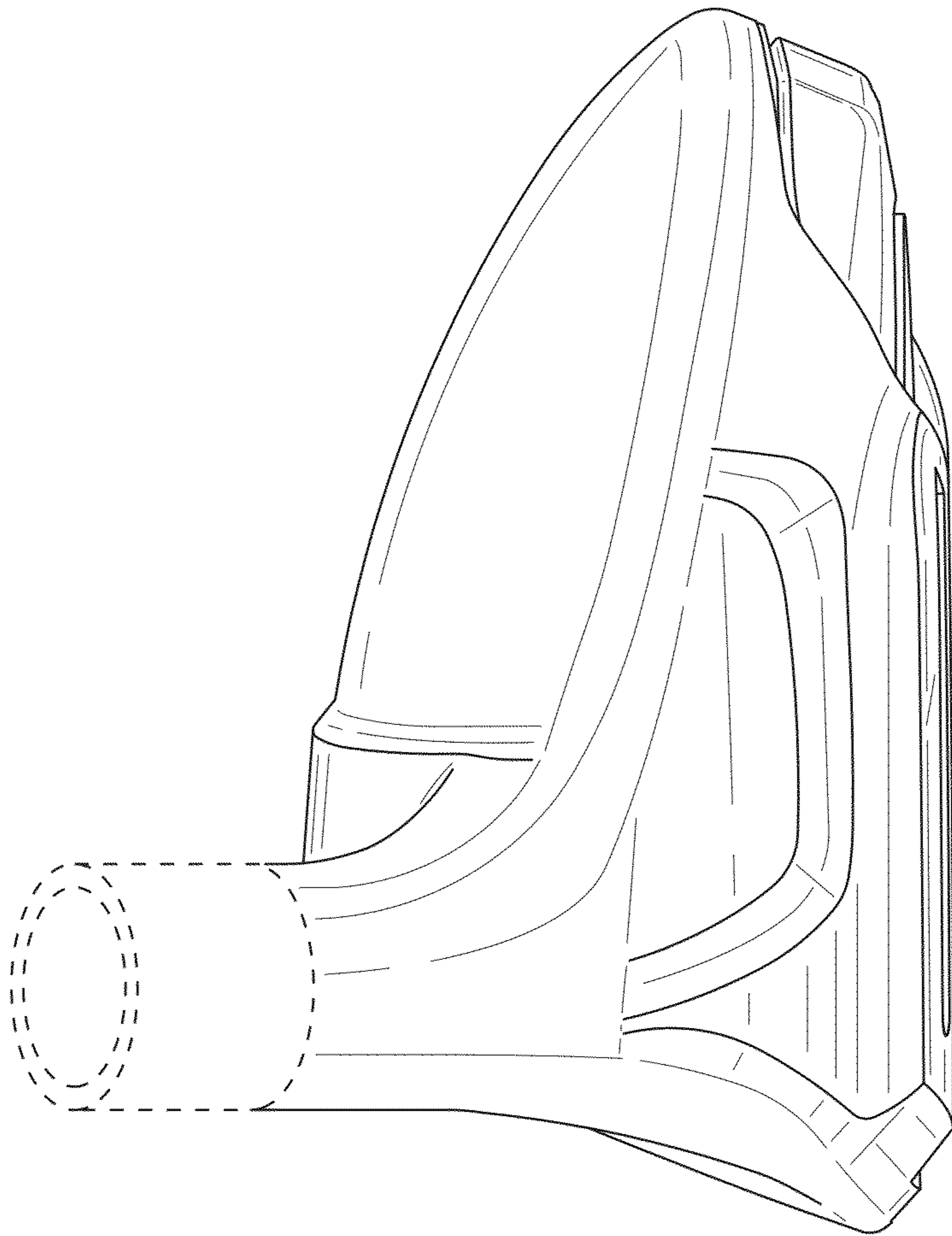


Fig. 7

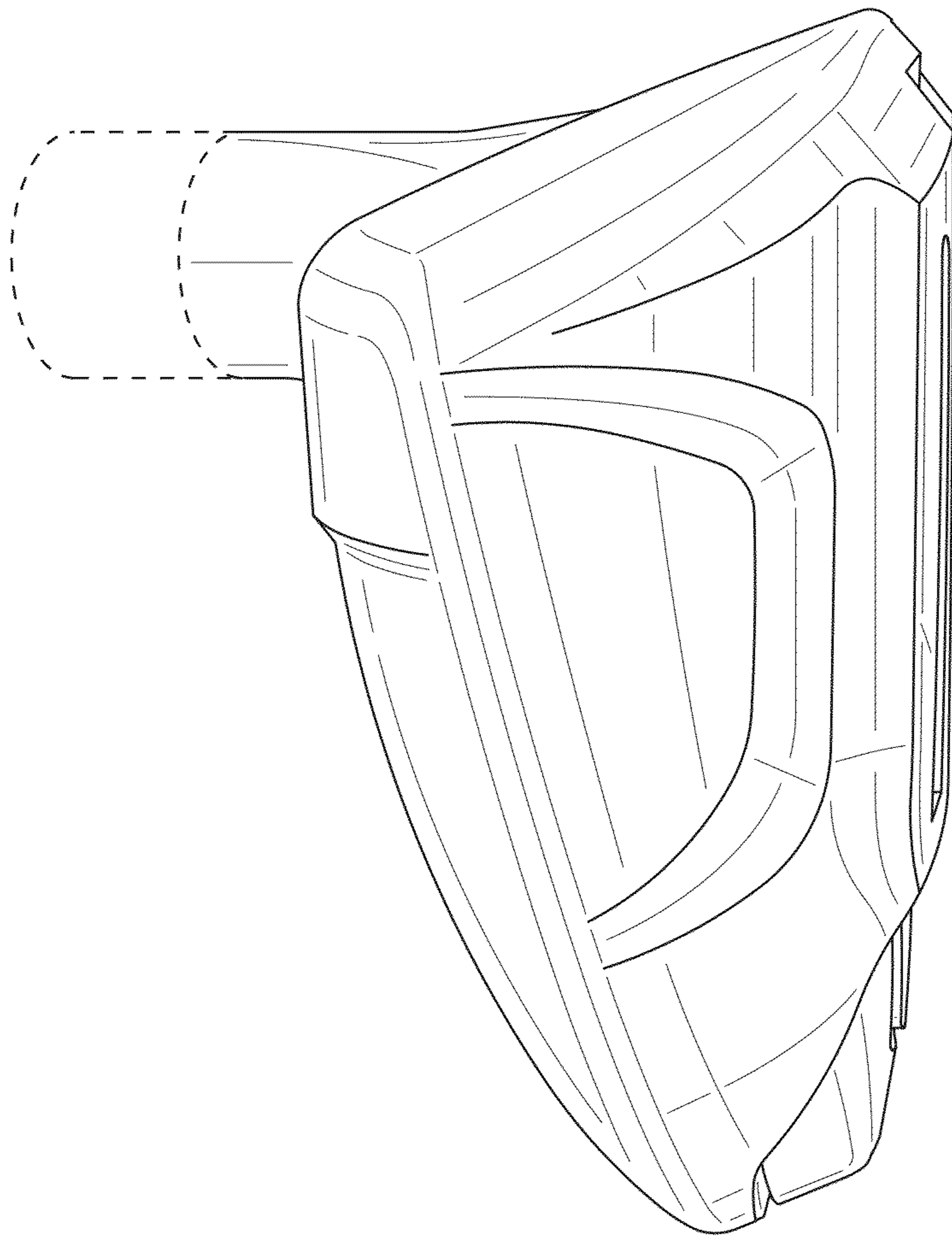


Fig. 8