



US00D709148S

(12) **United States Design Patent**
McDonald

(10) **Patent No.:** **US D709,148 S**
(45) **Date of Patent:** **** Jul. 15, 2014**

(54) **TRAINING ARM EXTENDER**

2006/0199676 A1* 9/2006 Ashbaugh 473/448

(71) Applicant: **Dar'Rell McDonald**, Dallas County, TX
(US)

* cited by examiner

(72) Inventor: **Dar'Rell McDonald**, Dallas County, TX
(US)

Primary Examiner — Phillip S Hyder

(74) *Attorney, Agent, or Firm* — Jack A. Kanz

(**) Term: **14 Years**

(57) **CLAIM**

The ornamental design disclosed for training arm extender.

(21) Appl. No.: **29/442,145**

DESCRIPTION

(22) Filed: **Dec. 20, 2012**

(51) **LOC (10) Cl.** **21-02**

(52) **U.S. Cl.**

USPC **D21/698**; D21/781

(58) **Field of Classification Search**

CPC A63B 69/00

USPC D21/398, 798, 781, 788, 787; 473/422,
473/439, 450, 447, 463; 482/87, 88

See application file for complete search history.

FIG. 1 is a rear perspective view of a training arm extender showing my new design;

FIG. 2 is a rear plan view thereof;

FIG. 3 is a front plan view thereof;

FIG. 4 is a side elevational view of the left-hand side thereof;

FIG. 5 is a side elevational view of the right-hand side thereof;

FIG. 6 is top plan view thereof;

FIG. 7 is a bottom plan view thereof;

FIG. 8 is a rear perspective view of an alternative embodiment of a training arm extender showing my new design;

FIG. 9 is a rear plan view thereof;

FIG. 10 is a front plan view thereof;

FIG. 11 is a side elevational view of the left-hand side thereof;

FIG. 12 is a side elevational view of the right-hand side thereof;

FIG. 13 is a top plan view thereof; and,

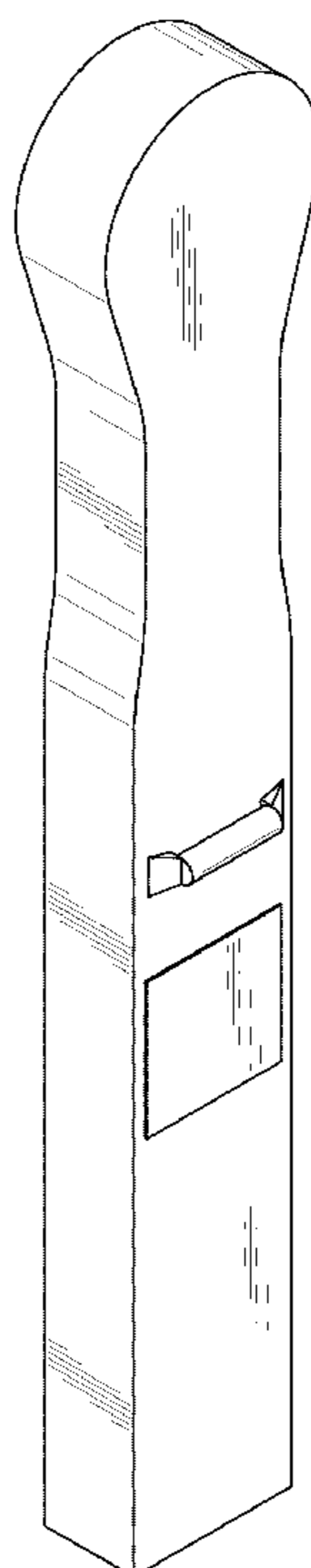
FIG. 14 is a bottom plan view of an alternative embodiment of a training arm extender showing my new design.

(56) **References Cited**

U.S. PATENT DOCUMENTS

5,527,185	A *	6/1996	Davis	473/438
5,839,979	A *	11/1998	De Genty	473/464
7,361,070	B2 *	4/2008	Bolstor	441/56
D643,078	S *	8/2011	McDonald	D21/698
8,123,635	B2 *	2/2012	Gillis	473/450
D658,242	S *	4/2012	McDonald	D21/698
2003/0130074	A1 *	7/2003	Petroskey	473/463

1 Claim, 8 Drawing Sheets



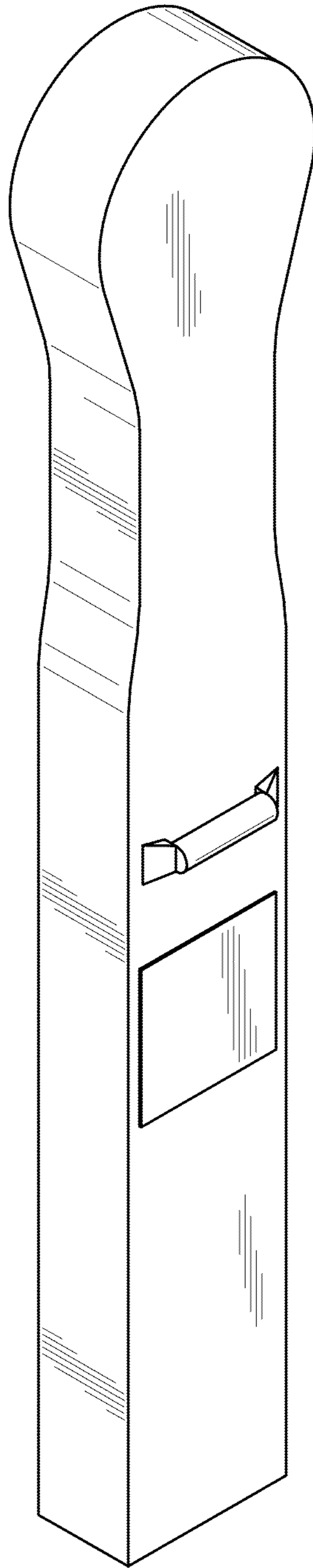


FIG. 1

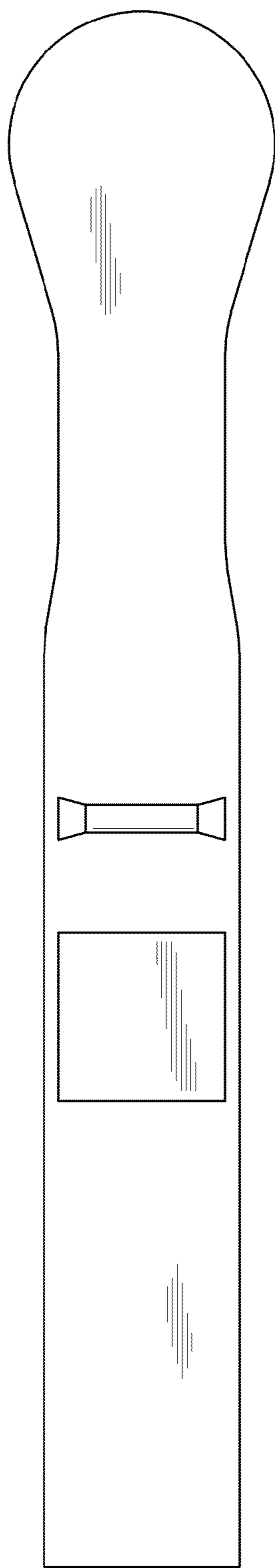


FIG. 2

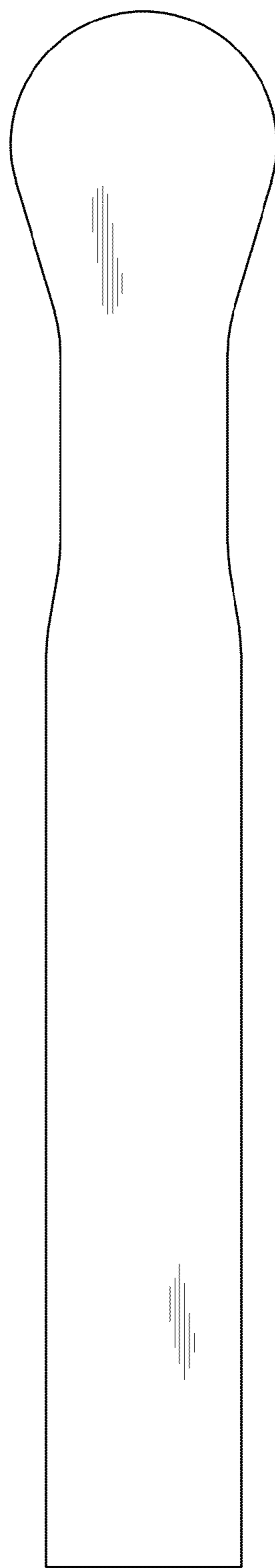


FIG. 3

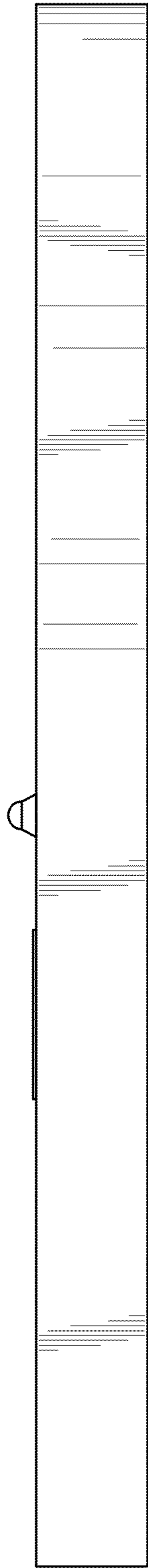


FIG. 4



FIG. 5

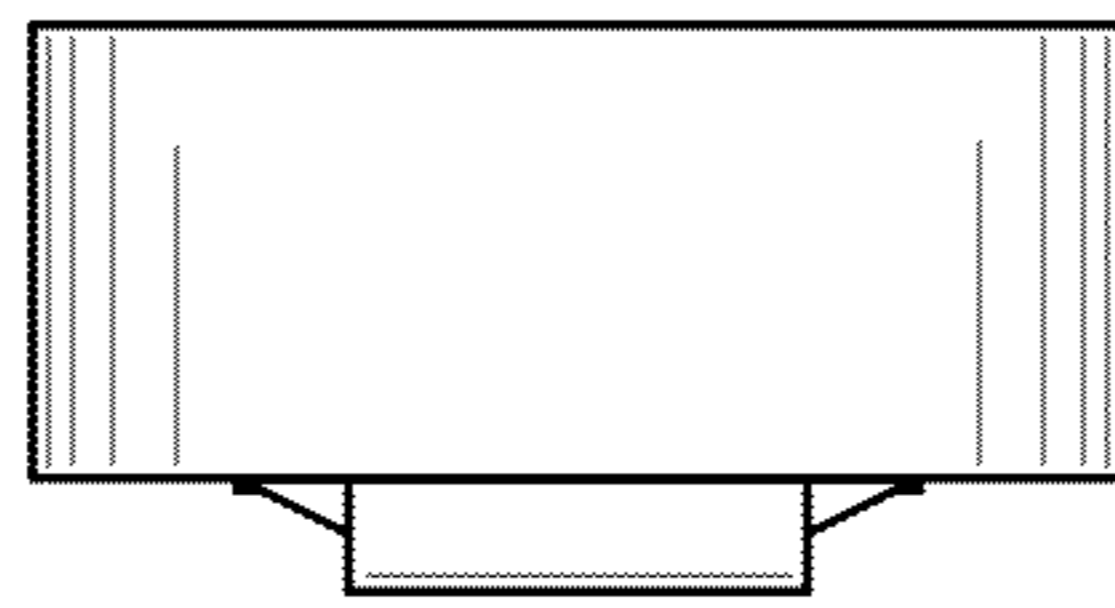


FIG. 6

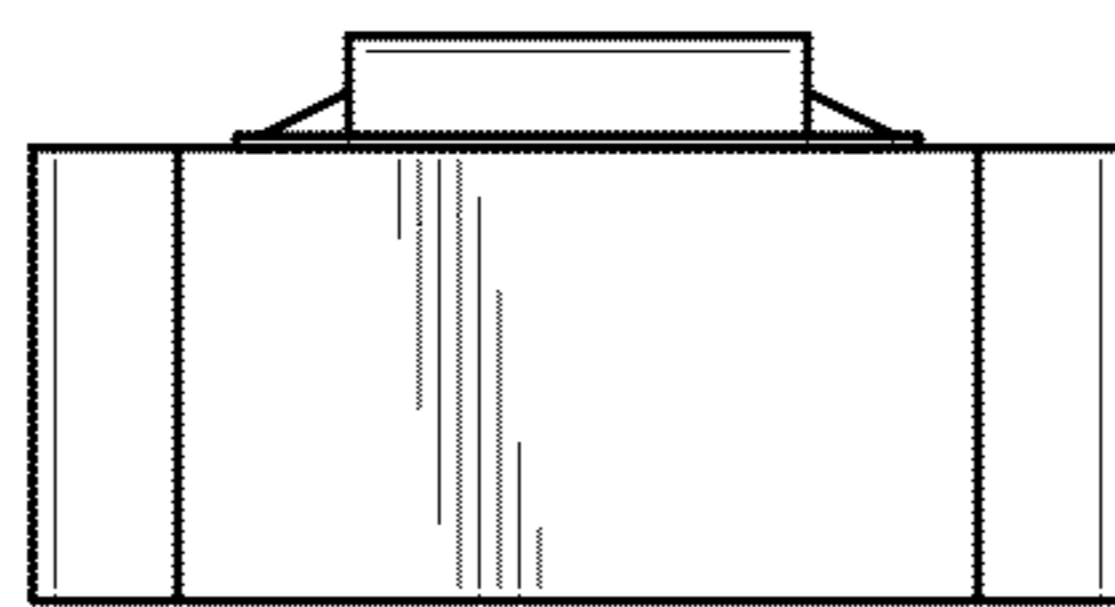


FIG. 7

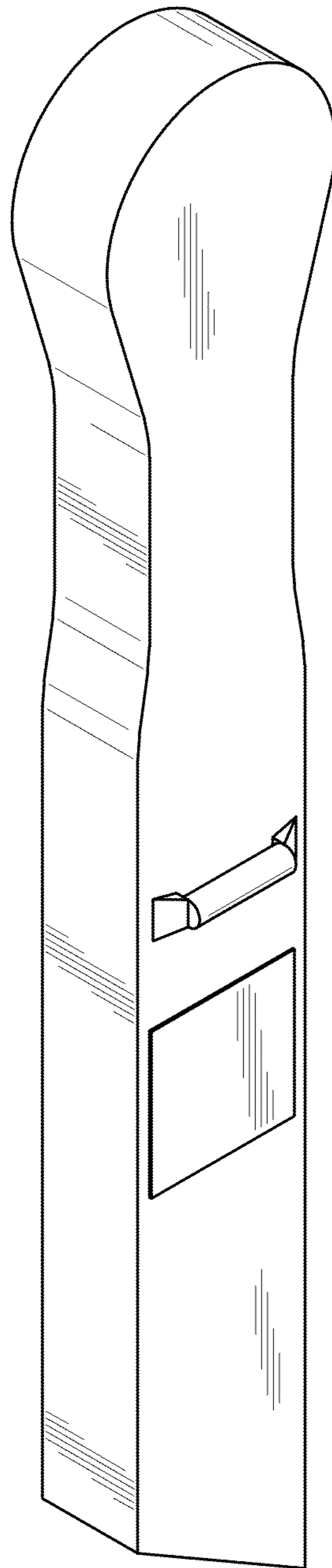


FIG. 8

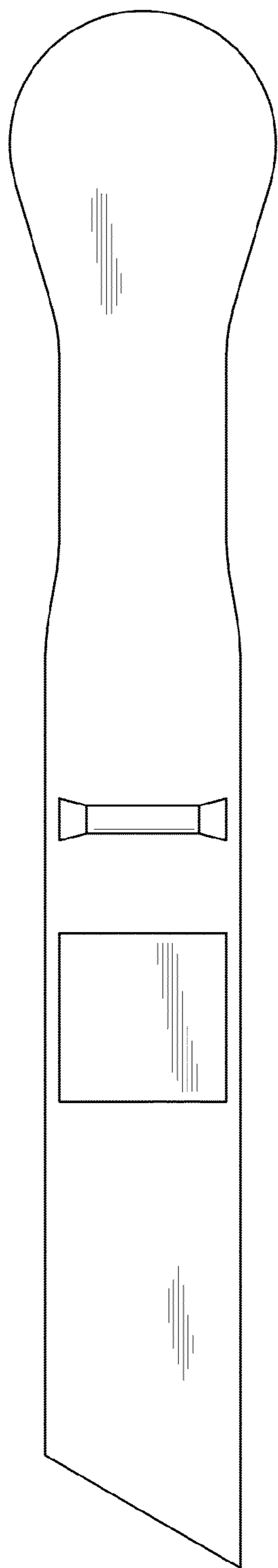


FIG. 9

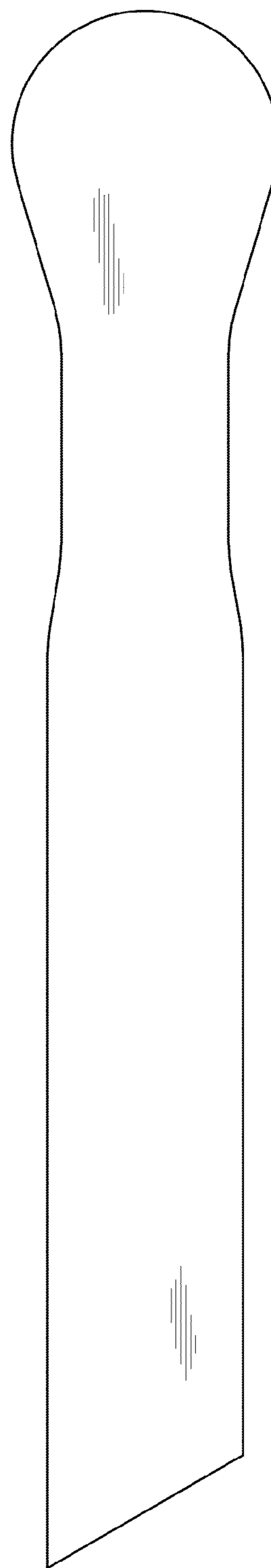


FIG. 10

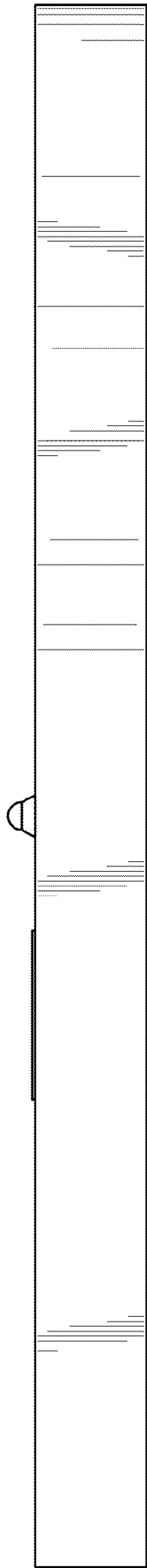


FIG. 11



FIG. 12

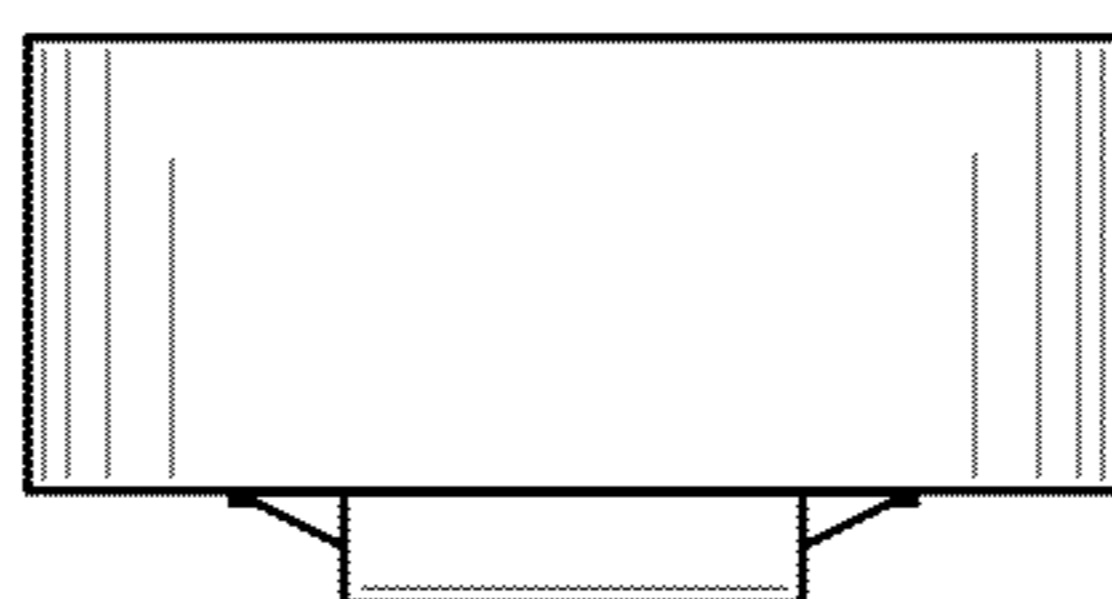


FIG. 13

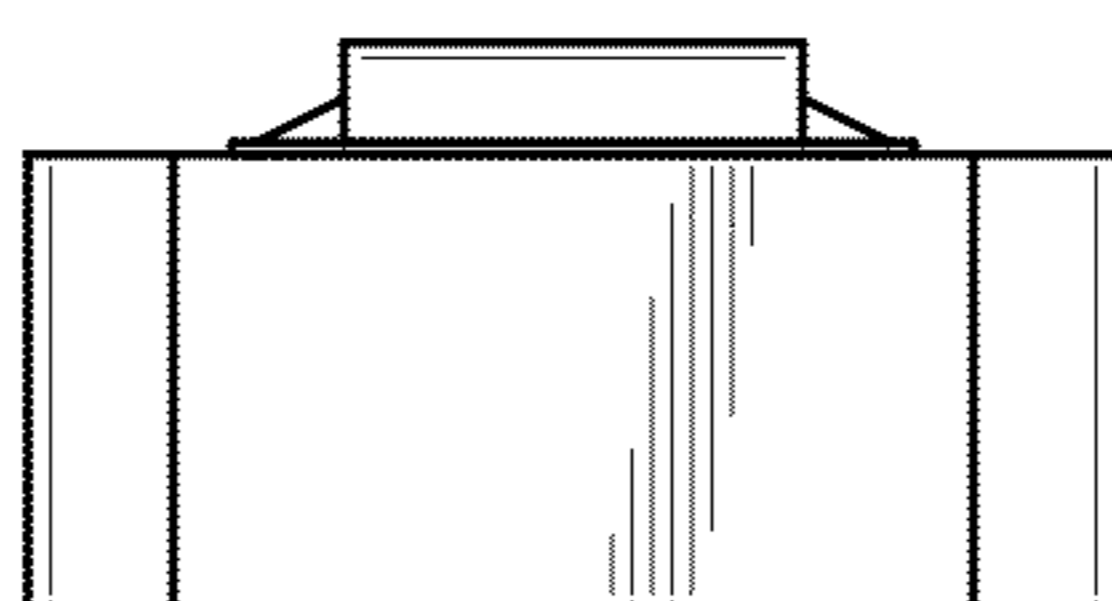


FIG. 14