



US00D709139S

(12) **United States Design Patent**
Martino et al.

(10) **Patent No.:** **US D709,139 S**
(45) **Date of Patent:** **** Jul. 15, 2014**

(54) **WHEEL**
(71) Applicant: **Mattel, Inc.**, El Segundo, CA (US)
(72) Inventors: **Anthony M Martino**, Thousand Oaks, CA (US); **Kevin Kai Cao**, Reseda, CA (US)

3,507,198 A 4/1970 Prochnow
D220,578 S 4/1971 Hall
D222,161 S 10/1971 Harrison
3,638,356 A * 2/1972 La Branche 446/465
D231,544 S 4/1974 Coppuck
3,938,166 A 2/1976 Sloop
3,966,101 A 6/1976 Taylor, III

(Continued)

(73) Assignee: **Mattel, Inc.**, El Segundo, CA (US)

FOREIGN PATENT DOCUMENTS

(**) Term: **14 Years**

DE 19902852 C1 7/2000
EP 0281427 B1 9/1988

(21) Appl. No.: **29/450,469**

(Continued)

(22) Filed: **Mar. 18, 2013**

OTHER PUBLICATIONS

Related U.S. Application Data

(62) Division of application No. 29/397,875, filed on Jul. 21, 2011, now Pat. No. Des. 681,742.

Hot Wheels Video Racer. User Manual. May 25, 2011 [online], [retrieved on Aug. 10, 2013]. Retrieved from the Internet <URL: http://service.mattel.com/instruction_sheets/W1647-0920G2.pdf>.*

(51) **LOC (10) Cl.** **21-01**

(Continued)

(52) **U.S. Cl.**
USPC **D21/563**

(58) **Field of Classification Search**
USPC D21/533, 548-551, 559, 561-563, 760, D21/763-765, 771, 779; D12/86, 88, 93, D12/159, 204-213; 446/431, 454-457, 465, 446/466, 469, 470; 280/11.19, 11.215, 280/11.221-11.26, 11.28, 11.32, 87.042, 280/809, 816; 152/165; 301/5.7, 301/5.301-5.309

Primary Examiner — Philip S Hyder
Assistant Examiner — Darlington Ly
(74) *Attorney, Agent, or Firm* — Kolisch Hartwell, PC

See application file for complete search history.

(57) **CLAIM**
We claim the ornamental design for a wheel, as shown and described.

(56) **References Cited**

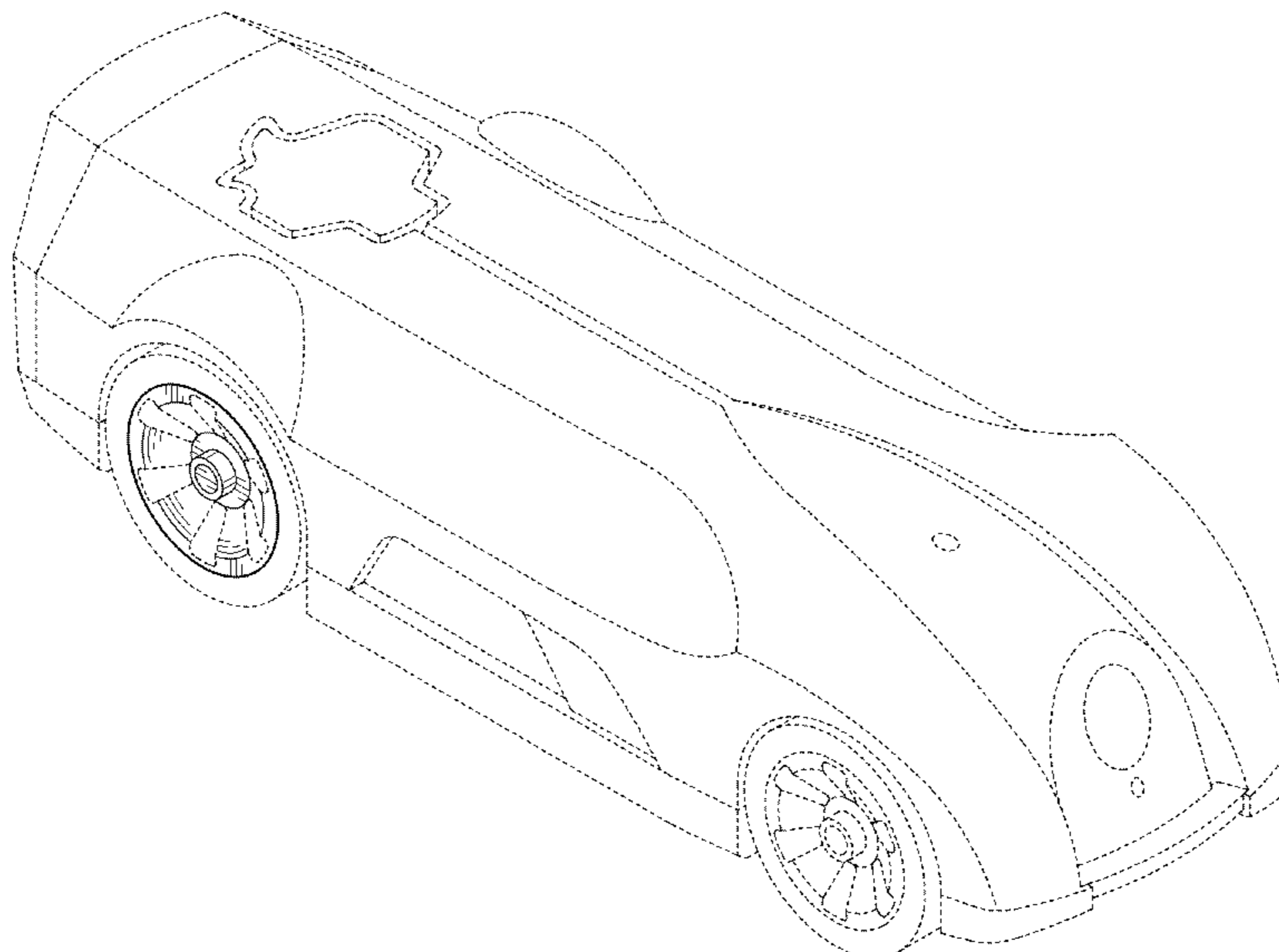
DESCRIPTION

U.S. PATENT DOCUMENTS

1,990,793 A 2/1935 Matsumo
D95,791 S 6/1935 Baetz
2,132,549 A 10/1938 Wenstrom
D142,229 S 8/1945 Roach
2,482,248 A 9/1949 Coon
2,804,902 A 9/1957 Luther et al.

FIG. 1 is a top, front, and right side perspective view of a wheel of a toy vehicle; and, FIG. 2 is right side elevation view thereof, shown greatly enlarged. The broken lines shown in the drawings illustrate portions of a toy vehicle that form no part of the claimed design for a wheel.

1 Claim, 2 Drawing Sheets



(56)

References Cited

U.S. PATENT DOCUMENTS

4,132,028 A 1/1979 Ogawa
 4,193,639 A 3/1980 Pauly et al.
 4,299,051 A 11/1981 Pauly et al.
 D266,342 S 9/1982 Wilkes
 4,406,085 A 9/1983 Rhodes
 D279,591 S 7/1985 Ogawa
 4,601,318 A 7/1986 Diegelman
 4,714,184 A 12/1987 Young et al.
 D301,355 S 5/1989 Doi
 4,953,766 A 9/1990 Cruickshank
 D311,882 S 11/1990 Furst
 4,986,187 A 1/1991 Booth et al.
 5,005,213 A 4/1991 Hanson et al.
 5,014,892 A 5/1991 Copeland
 5,035,382 A 7/1991 Lissaman et al.
 5,064,109 A 11/1991 Caster
 5,092,458 A 3/1992 Yokoyama
 D327,103 S * 6/1992 Poulsen et al. D21/563
 5,174,593 A 12/1992 Chapman
 D333,168 S * 2/1993 Huang D21/563
 5,251,800 A 10/1993 Leenders
 5,337,891 A 8/1994 Toth
 5,350,033 A 9/1994 Kraft
 5,358,110 A 10/1994 Simpson
 5,481,257 A 1/1996 Brubaker et al.
 5,555,019 A 9/1996 Dole
 5,596,319 A 1/1997 Spry
 5,812,736 A 9/1998 Anderson
 5,828,917 A 10/1998 Stephenson
 6,028,627 A 2/2000 Helmsderfer
 D424,633 S 5/2000 Hollis et al.
 6,078,355 A 6/2000 Zengel
 6,085,131 A 7/2000 Kim
 6,108,031 A 8/2000 King et al.
 6,138,826 A 10/2000 Kanamori et al.
 6,155,835 A 12/2000 Shercliff
 D439,285 S * 3/2001 Chen et al. D21/563
 6,224,227 B1 5/2001 Klootz
 6,264,521 B1 7/2001 Hernandez
 6,293,798 B1 9/2001 Boyle et al.
 6,304,290 B1 10/2001 Bailly
 6,309,306 B1 10/2001 Geagley et al.
 6,396,403 B1 5/2002 Haner
 6,497,608 B2 12/2002 Ho et al.
 6,520,642 B1 2/2003 Chapman
 6,535,793 B2 3/2003 Allard
 6,540,615 B2 4/2003 Tanaka et al.
 6,547,624 B1 4/2003 Bojesen et al.
 6,549,231 B1 4/2003 Matsui
 6,568,983 B1 5/2003 Peters
 6,612,658 B1 9/2003 Oumedian
 6,632,121 B2 10/2003 Edmisson et al.
 6,657,673 B2 12/2003 Ishikawa
 6,692,329 B2 2/2004 Peters
 6,733,360 B2 5/2004 Dooley et al.
 6,746,304 B1 6/2004 Liu
 6,752,720 B1 6/2004 Clapper et al.
 6,811,492 B1 11/2004 Arakawa et al.
 6,899,255 B2 5/2005 Pringle
 6,937,289 B1 8/2005 Ranta et al.
 6,954,695 B2 10/2005 Bonilla et al.
 7,060,921 B2 6/2006 Kubo
 7,106,959 B2 9/2006 Sato
 D530,757 S * 10/2006 Jones D21/563
 D534,968 S * 1/2007 Proch D21/563
 7,194,202 B2 3/2007 Funahashi et al.
 D541,354 S 4/2007 Campbell et al.
 D542,362 S 5/2007 Campbell
 7,402,964 B1 7/2008 Calhoun
 D576,523 S 9/2008 Battams et al.
 7,445,539 B2 11/2008 Laurienzo et al.
 7,458,736 B2 12/2008 Woodman
 7,471,334 B1 12/2008 Stenger
 7,494,398 B2 2/2009 Laurienzo
 D587,629 S 3/2009 Crijns

7,502,550 B2 3/2009 Ariga
 7,557,859 B2 7/2009 Lee
 7,570,295 B2 8/2009 Funato et al.
 7,653,292 B2 1/2010 Yamaguchi et al.
 7,704,119 B2 4/2010 Evans
 7,721,893 B2 5/2010 Law
 7,726,887 B2 6/2010 Su et al.
 7,731,588 B2 6/2010 Templeman
 7,762,731 B2 7/2010 Arbuckle et al.
 7,777,969 B2 8/2010 Shirono et al.
 7,789,228 B2 9/2010 Zenzai
 8,011,737 B2 * 9/2011 Wang et al. 301/53.5
 D651,960 S * 1/2012 Sahara et al. D12/209
 D679,645 S * 4/2013 Chung D12/209
 D681,742 S * 5/2013 Martino et al. D21/550
 D683,295 S * 5/2013 Pollmann D12/209
 2001/0015766 A1 8/2001 Marchesini
 2001/0045978 A1 11/2001 McConnell et al.
 2002/0081937 A1 6/2002 Yamada et al.
 2002/0106965 A1 8/2002 Dooley et al.
 2003/0044180 A1 3/2003 Lindberg
 2003/0190856 A1 10/2003 Peters
 2003/0232649 A1 12/2003 Gizis et al.
 2004/0251650 A1 12/2004 Katsuyama et al.
 2006/0076735 A1 * 4/2006 Proch et al. 273/298
 2006/0110146 A1 5/2006 Ariga
 2006/0223635 A1 10/2006 Rosenberg
 2006/0293102 A1 12/2006 Kelsey
 2008/0131106 A1 6/2008 Bruce
 2009/0004948 A1 1/2009 Ando et al.
 2009/0140570 A1 6/2009 Houkal
 2009/0194443 A1 8/2009 Cuddeback
 2010/0054724 A1 3/2010 Chamberlayne
 2010/0081357 A1 4/2010 Alles
 2010/0316369 A1 12/2010 Pyle
 2011/0024314 A1 2/2011 Merrill et al.
 2012/0052767 A1 * 3/2012 Martino et al. 446/465

FOREIGN PATENT DOCUMENTS

EP 1310280 A2 5/2003
 JP 10043439 A 2/1998
 WO 0060870 A1 10/2000
 WO 0156676 A1 8/2001
 WO 0180212 A1 10/2001
 WO 0195988 A1 12/2001

OTHER PUBLICATIONS

Bradford, K.T. Tiny Cameras Find Their Way Into Hot Wheels' Video Racer Cars. Feb. 15, 2011 [online], [retrieved on Aug. 10, 2013]. Retrieved from the Internet <URL: <http://blog.laptopmag.com/tiny-cameras-find-their-way-into-hot-wheels-video-racer-cars>>.*
 WTB (MA): (1) 2008 Legacy GT wheel (6-spoke) . Jul. 12, 2011 [online], [retrieved on Aug. 10, 2013]. Retrieved from the Internet <URL: http://www.google.com/imgres?q=6+spokes+wheel+subaru&sa=X&rls=com.microsoft:en-us:IE-SearchBox&biw=1227&bih=963&tbm=isch&tbnid=xjWCPlcM_YhYM:&imgrefurl=http://legacygt.com/forums/showthre>.*
 www.halfbakery.com; "A Matchbox Car Camera: Inside Perspective on Toy Car Stunts"; Jul. 12, 2000; 3 pages; http://www.halfbakery.com/idea/A_20Matchbox_20Car_20_Camera.
 Bradford, K.T., Tiny Cameras Find Their Way Into Hot Wheels' Video Racer Cars, Feb. 15, 2011 [online], [retrieved on Aug. 10, 2013]. Retrieved from the Internet <URL: <http://blog.laptopmag.com/tiny-cameras-find-their-way-into-hot-wheels-video-racer-cars>>.*
 Hot Wheels Video Racer, User Manual. May 25, 2011 [online], [retrived on Aug. 10, 2013]. Retrieved from the Internet <URL: http://service.mattel.com/instruction_sheets/W1647-0920G2.pdf>.*
 Mangis, Carol, Hot Wheels makes RC cars pocketable. Consumer Reports. Feb. 17, 2011 [online], [retrieved on Oct. 1, 2012]. Retrieved from the Internet <URL: <http://news.consumerreports.org/electronics/2011/02/mattel-hot-wheels-video-racer.html>>.*

(56)

References Cited

OTHER PUBLICATIONS

Stern, Joanna, Hot Wheels Video Racer has a VGA camera under its hood, confirms that kids have it all. Engadget. Jan. 21, 2010 [online], [retrieved on Oct. 1, 2012]. Retrieved from the Internet <URL: <http://www.engadget.com/2011/01/21/hot-wheels-video-racer-has-a-vga-camera-under-its-hood-confirms/>>.

Straylor, Mattel Hot Wheels Video Racer: Get footage from a toy's-eye view. YouTube. Jan. 9, 2011 [online], [retrieved on Oct. 1, 2012]. Retrieved from the Internet <URL: <http://www.youtube.com/watch?v=1xujxUWs-rs>>.

U.S. Patent and Trademark Office; Office Action regarding U.S. Appl. No. 29/397,875; mailing date Oct. 23, 2012; 13 pages.

U.S. Patent and Trademark Office; Office Action regarding U.S. Appl. No. 29/456,261; mailing date Aug. 22, 2013; 9 pages.

U.S. Patent and Trademark Office; Office Action regarding U.S. Appl. No. 29/456,260; mailing date Aug. 22, 2013; 9 pages.

U.S. Patent and Trademark Office; Office Action regarding U.S. Appl. No. 29/450,465; mailing date Aug. 26, 2013; 10 pages.

U.S. Patent and Trademark Office; Office Action regarding U.S. Appl. No. 29/450,467 mailing date Sep. 12, 2013; 12 pages.

* cited by examiner

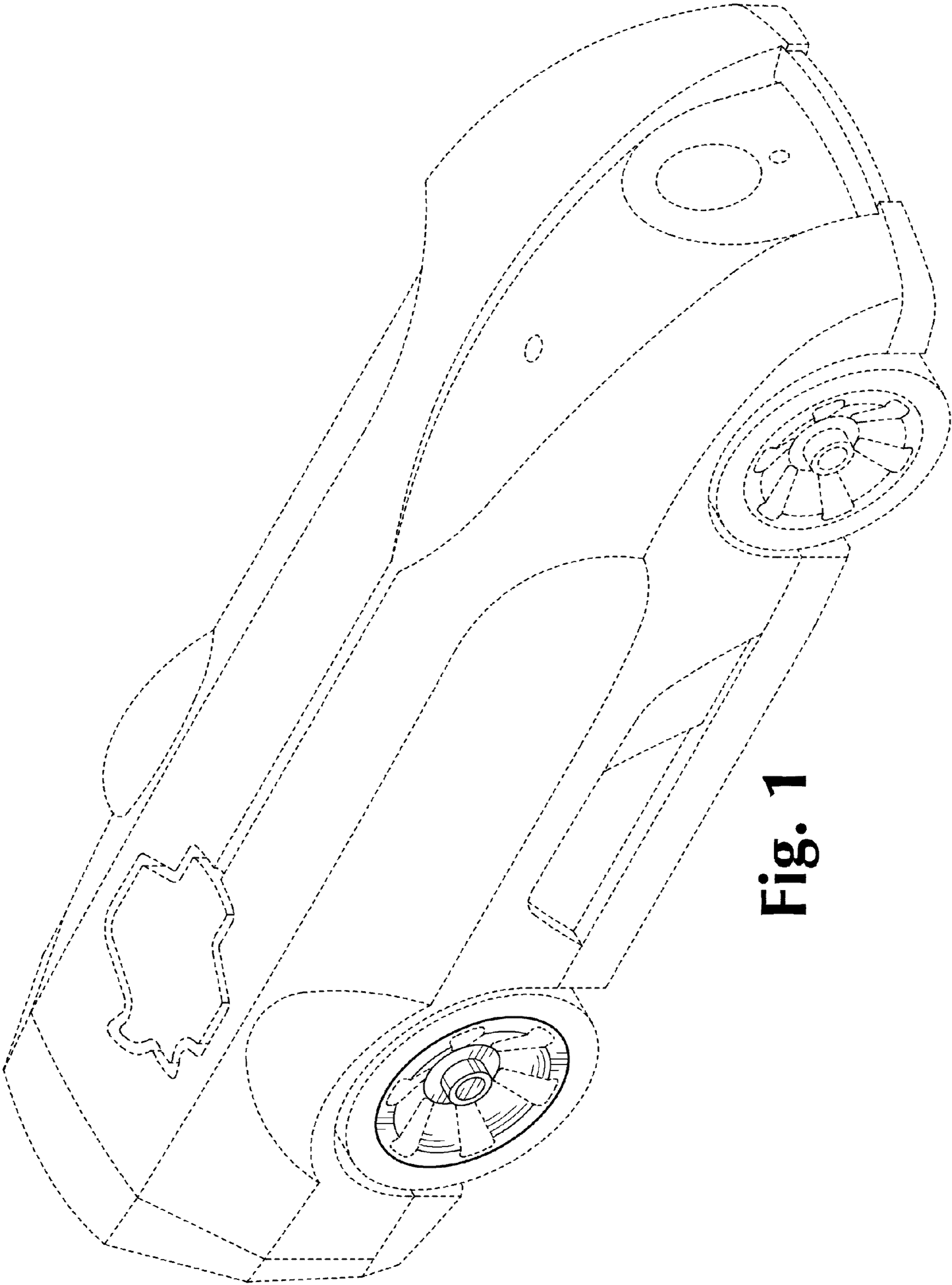


Fig. 1

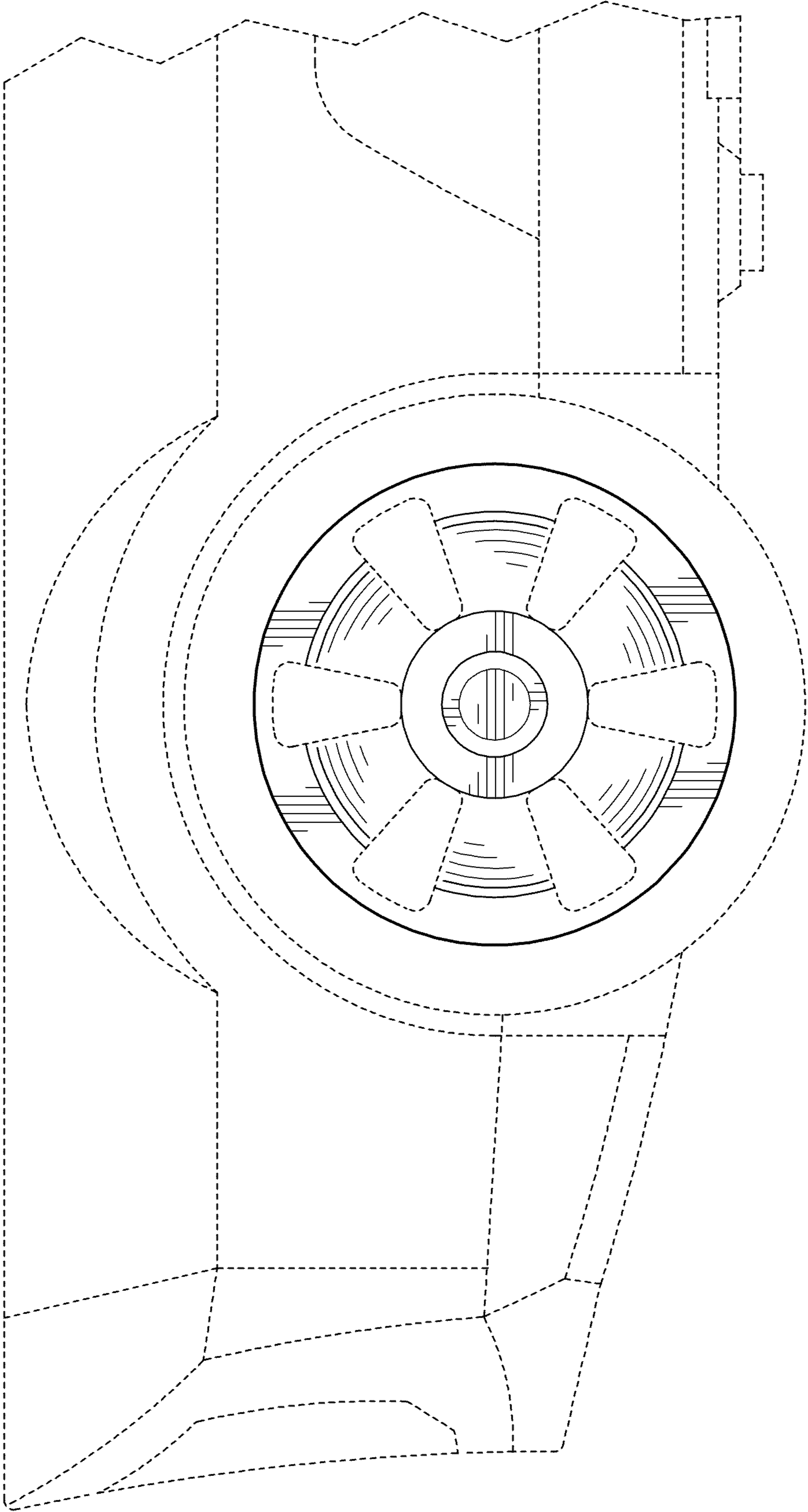


Fig. 2