



US00D709138S

(12) **United States Design Patent**
Bradley

(10) **Patent No.:** **US D709,138 S**

(45) **Date of Patent:** **** Jul. 15, 2014**

(54) **TOY SCOOP AND GATHERER SET**

(76) Inventor: **Amy Bradley**, Wyndmoor, PA (US)

(**) Term: **14 Years**

(21) Appl. No.: **29/406,976**

(22) Filed: **Nov. 21, 2011**

Related U.S. Application Data

(63) Continuation of application No. 13/301,349, filed on Nov. 21, 2011.

(51) **LOC (10) Cl.** **21-01**

(52) **U.S. Cl.**
USPC **D21/532; D21/483**

(58) **Field of Classification Search**
USPC D21/472, 532, 537, 539, 554, 556, 561;
D8/10; D7/692, 667, 698; D32/74;
D30/162; 15/257, 257.6; 446/75;
D4/116

See application file for complete search history.

(56) **References Cited**

U.S. PATENT DOCUMENTS

D192,644 S *	4/1962	Fabiano	D7/667
3,058,135 A *	10/1962	Harrison	15/41.1
3,200,954 A *	8/1965	Marcus	210/470
D251,626 S *	4/1979	Nakao et al.	D21/537
D264,106 S *	4/1982	Orenstein	D21/537
D267,592 S *	1/1983	Payne, Jr. et al.	
D282,859 S *	3/1986	Burhop	D21/532
D317,638 S *	6/1991	Mayuzumi	D21/472
D389,629 S *	1/1998	France	D32/74

(Continued)

Primary Examiner — Cynthia M Chin

(74) *Attorney, Agent, or Firm* — St. Onge Steward Johnston & Reens LLC

(57) **CLAIM**

The ornamental design for a toy scoop and gatherer set, as shown and described.

DESCRIPTION

FIG. 1 is a front perspective view of the scoop and gatherer set showing my new design;

FIG. 2 is a top plan view of the scoop alone;

FIG. 3 is a side elevation view thereof, the opposite side elevation view being a mirror image of that shown;

FIG. 4 is a front elevation view of the scoop alone;

FIG. 5 is a rear elevation view thereof;

FIG. 6 is a bottom plan view thereof;

FIG. 7 is a bottom front perspective view of the scoop alone;

FIG. 8 is a front perspective view of the gatherer alone;

FIG. 9 is a rear isometric view of the gatherer alone; and,

FIG. 10 is an enlarged side elevation view of the gatherer alone, the opposite side elevation view being a mirror image of that shown.

FIG. 11 is front perspective view of a second embodiment of the scoop and gatherer set of FIG. 1, comprising the scoop and gatherer with bristles on the edge of the gatherer element;

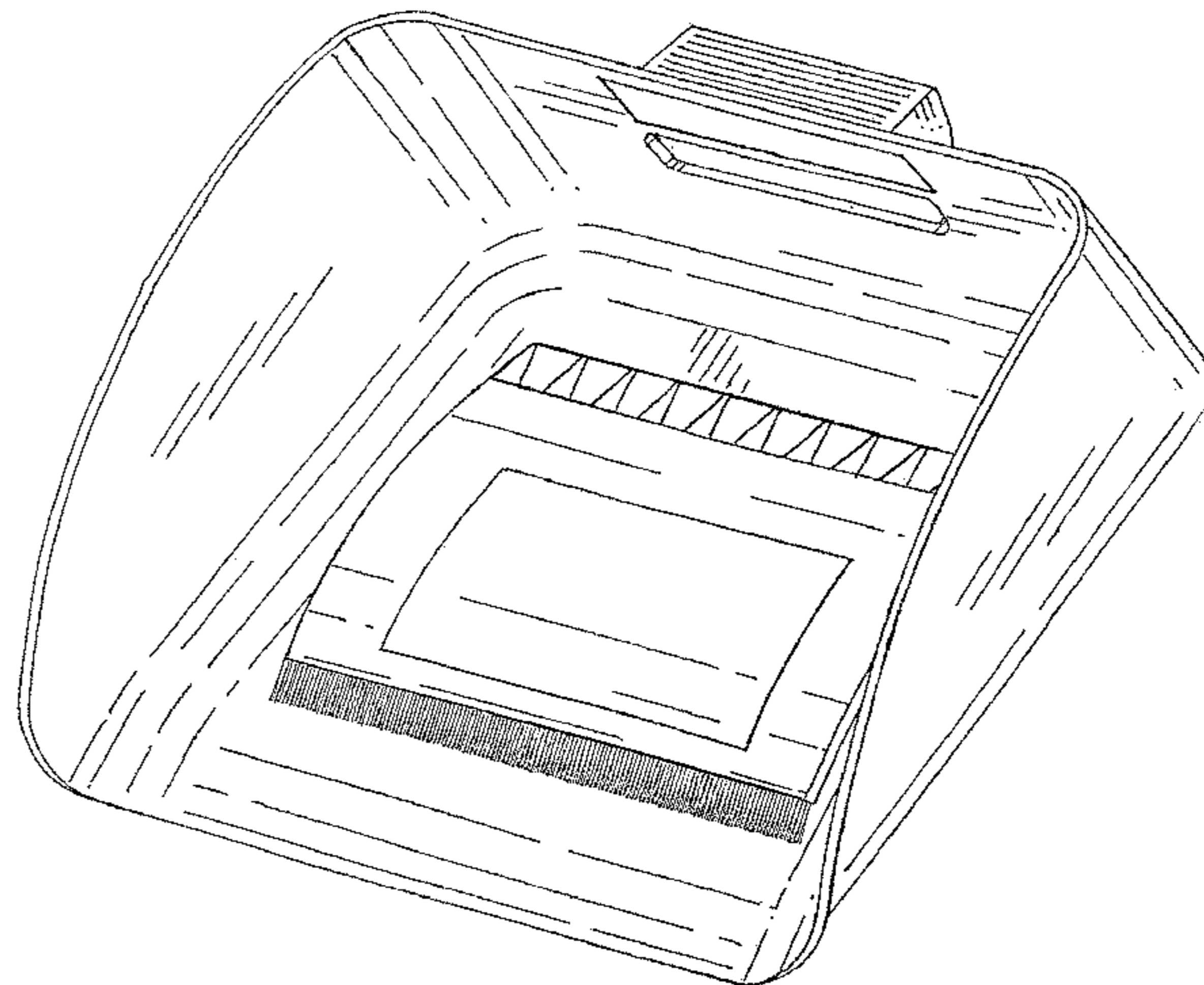
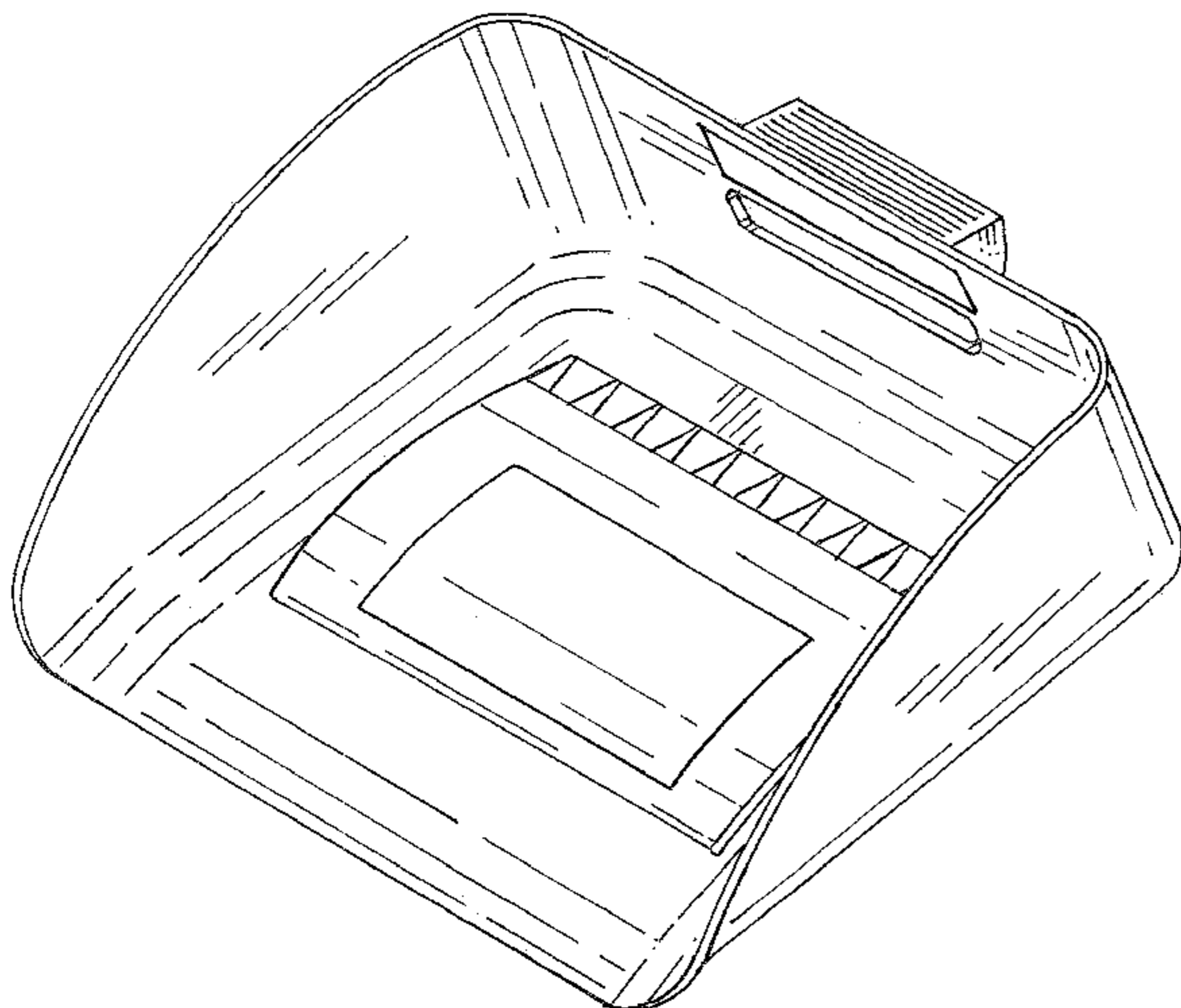
FIG. 12 an enlarged side elevation view of the gatherer alone, in the second embodiment with bristles attached to the bottom edge.

FIG. 13 is an enlarged side elevation view of the gatherer of a third embodiment of the scoop and gatherer set of FIG. 1, comprising the gatherer with a soft material edge; and,

FIG. 14 is a rear isometric view of the gatherer alone, in the third embodiment with the soft material attached to the bottom edge of the gatherer.

The different elements of the claimed design are being shown separated in some figures for convenience of illustration. The broken lines showing in FIGS. 2, 5, 9, and 14 are for illustration purposes only and form no part of the claimed design.

1 Claim, 10 Drawing Sheets



(56)

References Cited

U.S. PATENT DOCUMENTS

D390,072 S *	2/1998	Miller	D7/698	D492,489 S *	7/2004	Hay et al.	D4/116
D395,928 S *	7/1998	Freelander	D21/532	7,037,165 B2	5/2006	Garr		
5,924,162 A	7/1999	Kalsheur et al.			D596,408 S *	7/2009	Cohen	D4/116
D422,389 S	4/2000	Gay			D602,214 S *	10/2009	Petersen	D30/162
D458,091 S	6/2002	Wallays et al.			D602,657 S *	10/2009	Petersen	D30/162
D462,529 S *	9/2002	Best et al.	D4/116	D630,401 S *	1/2011	Libman et al.	D32/74
D463,643 S	9/2002	Petner			D634,910 S *	3/2011	Solbjerg et al.	D32/74
6,685,529 B1	2/2004	Sarabia			D643,985 S *	8/2011	Dedrick	D32/74
6,732,402 B1 *	5/2004	Hsu	15/257.6	D645,310 S	9/2011	Shamoon		
					2005/0165494 A1	7/2005	McLeod et al.		
					2007/0049157 A1	3/2007	Bolar		

* cited by examiner

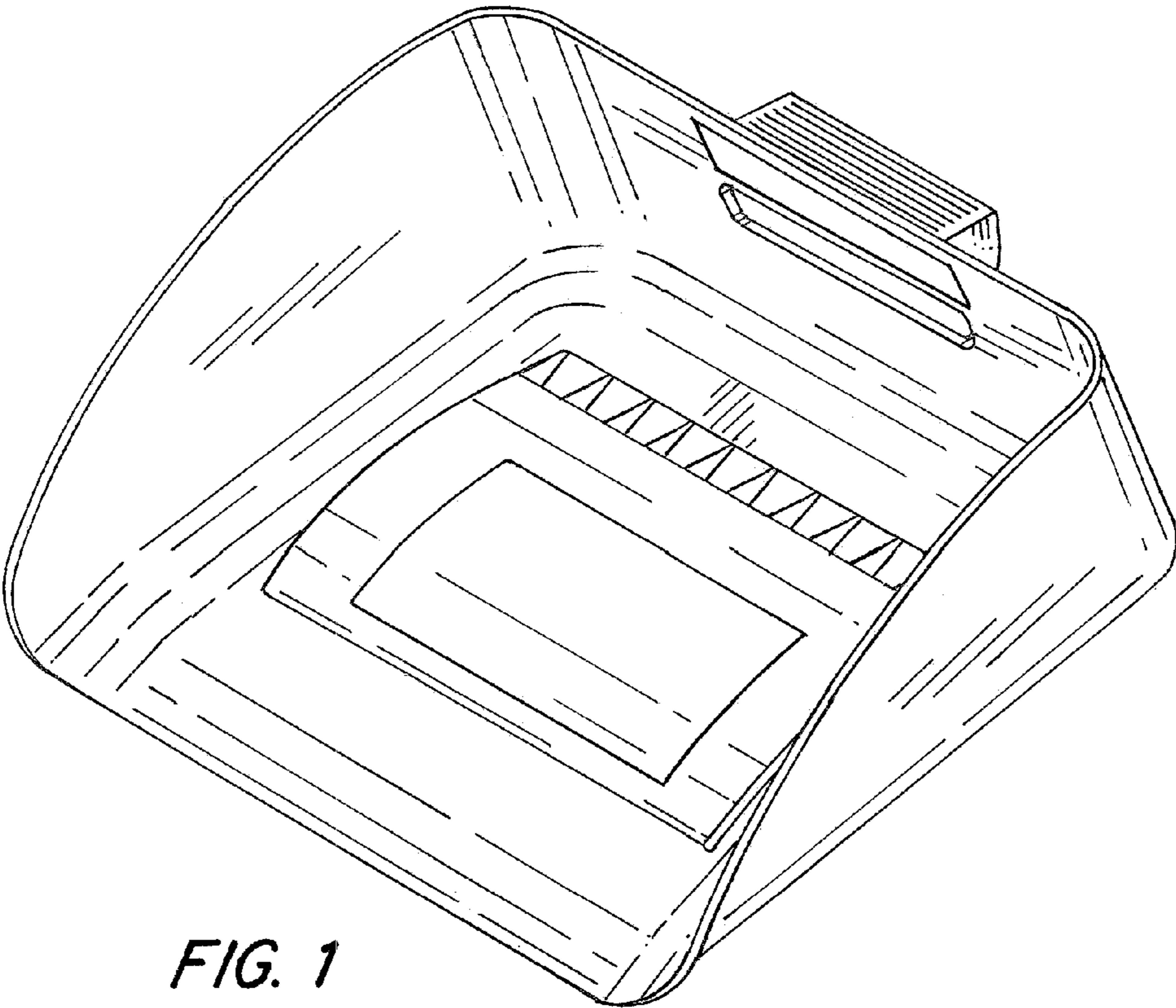


FIG. 1

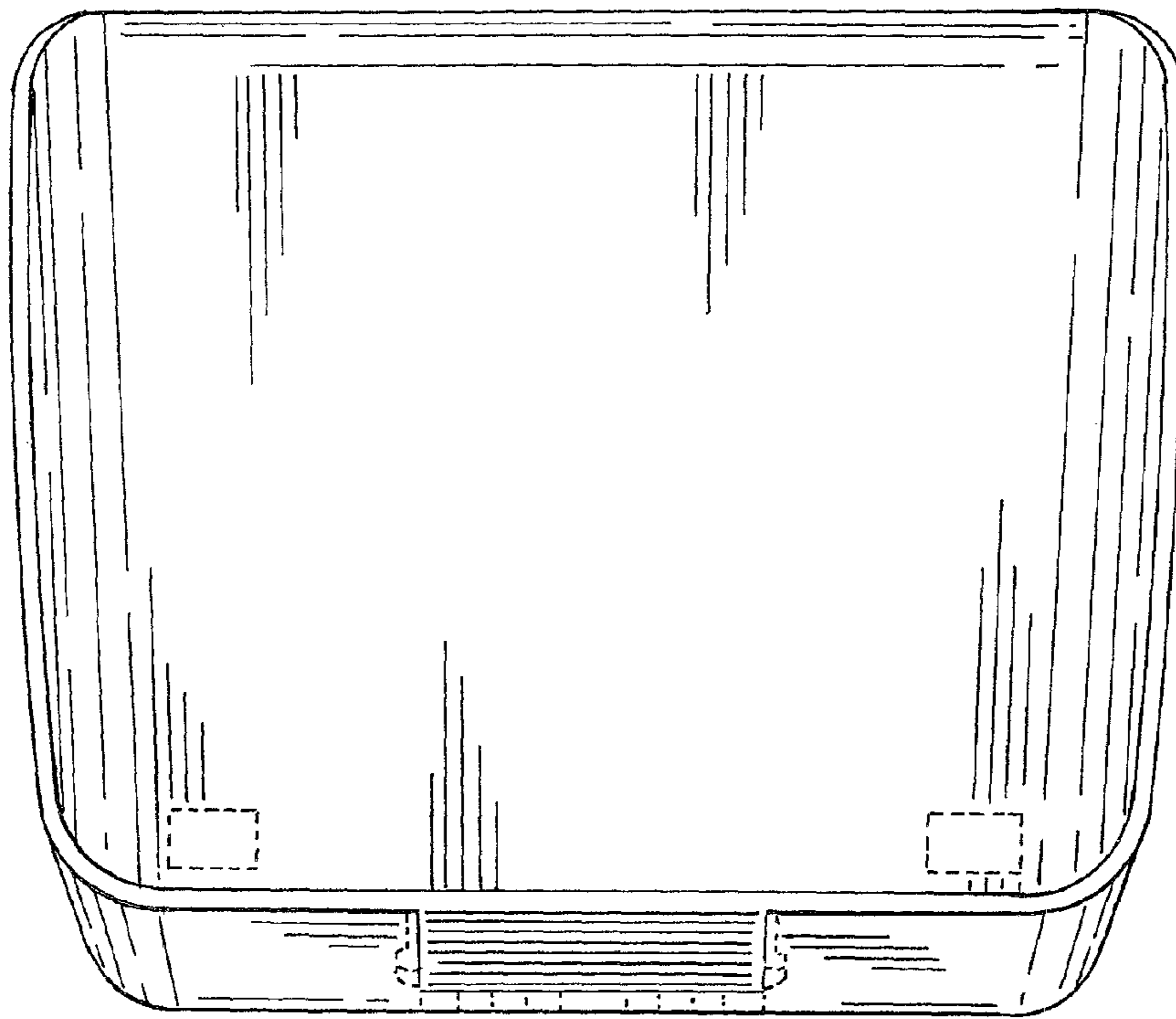


FIG. 2

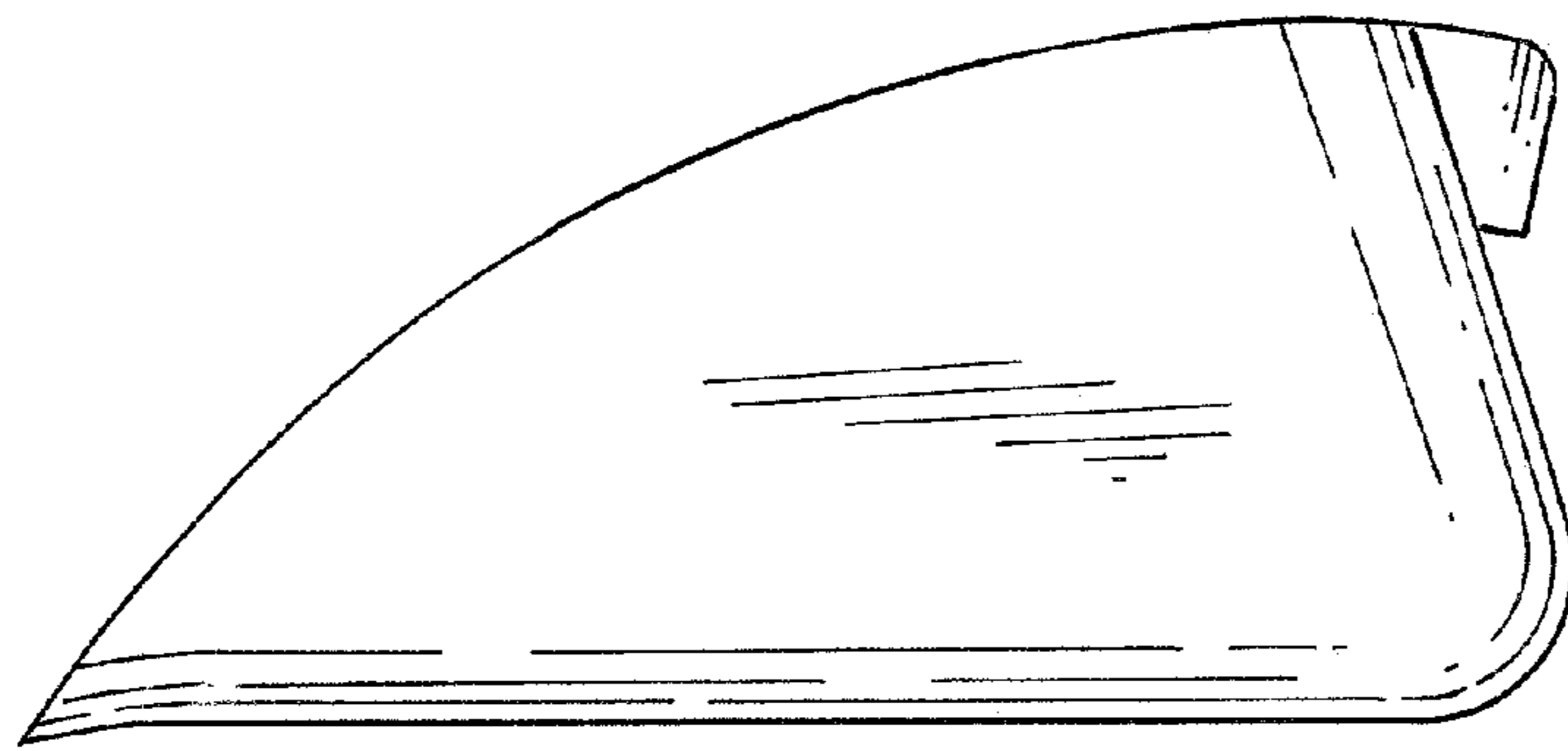


FIG. 3

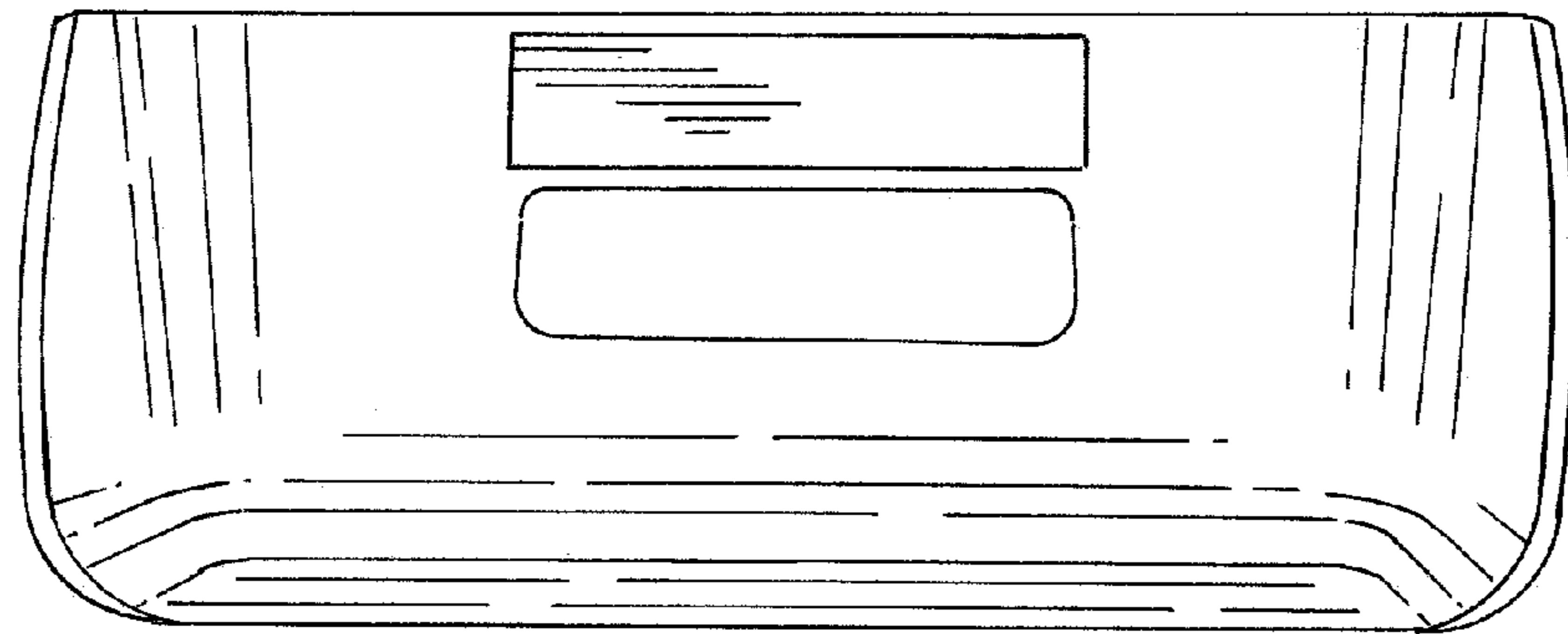


FIG. 4

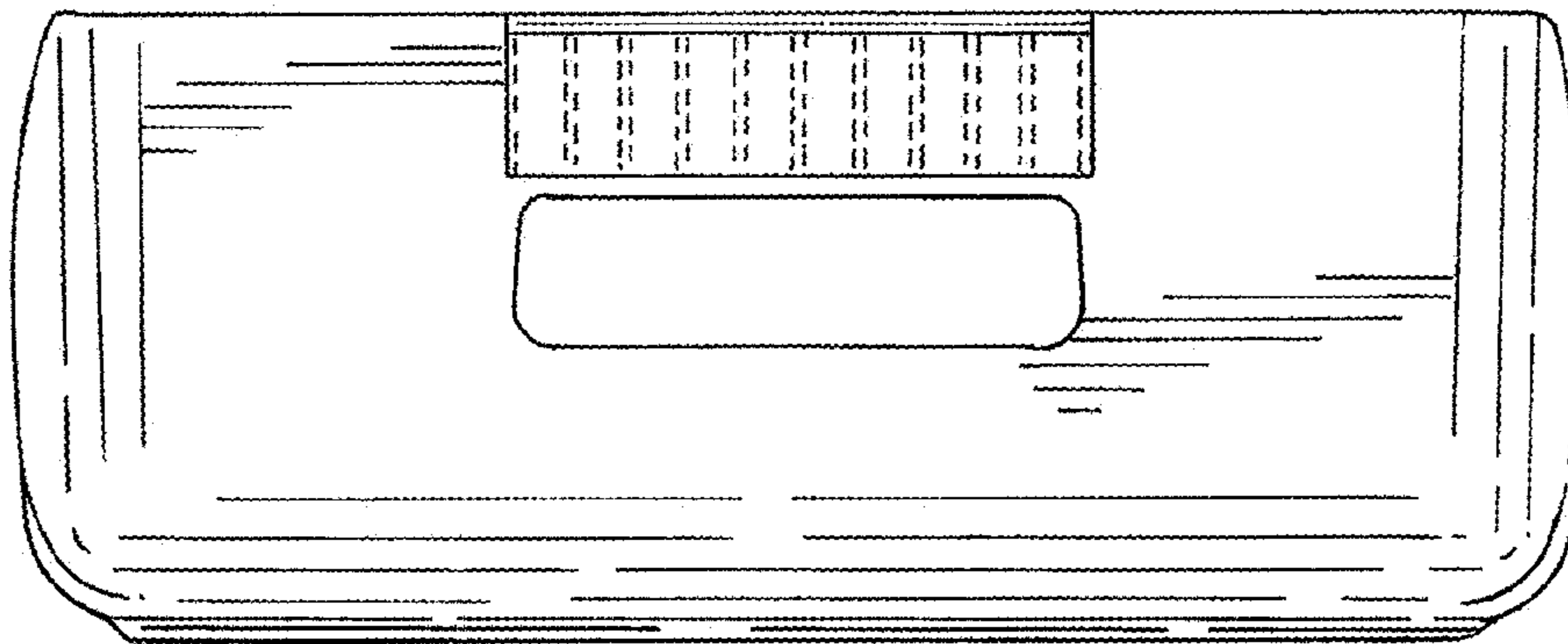


FIG. 5

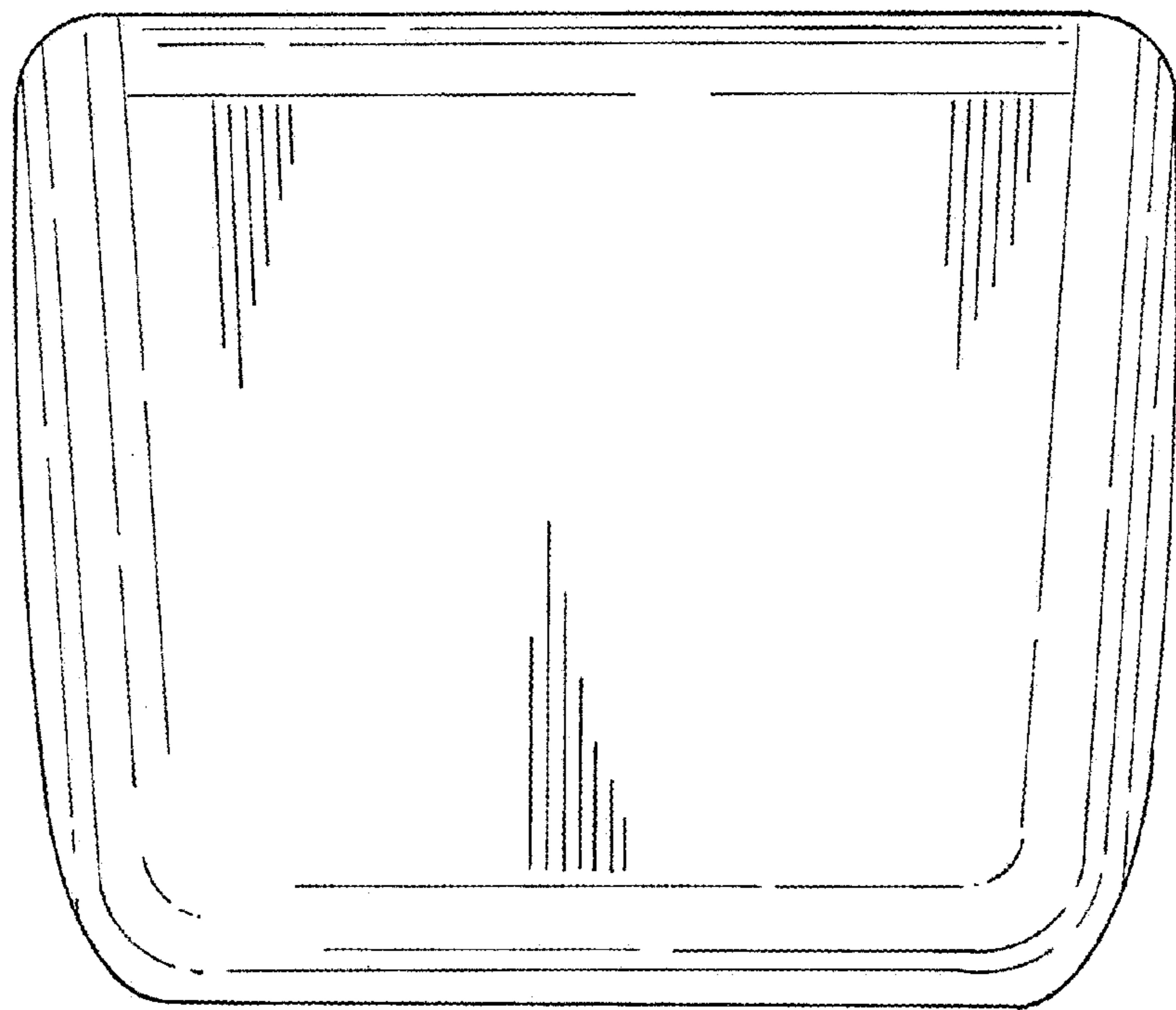


FIG. 6

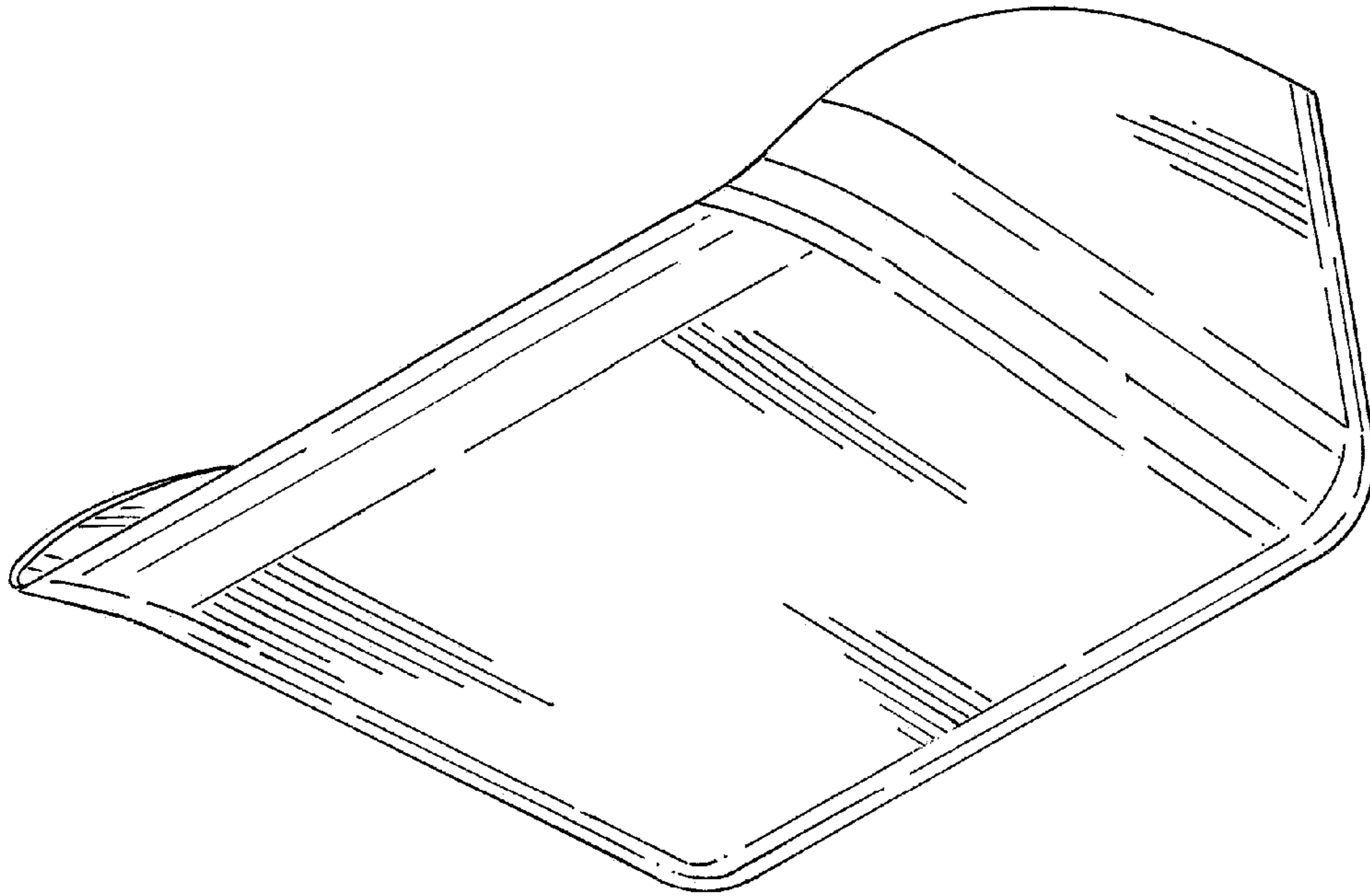


FIG. 7

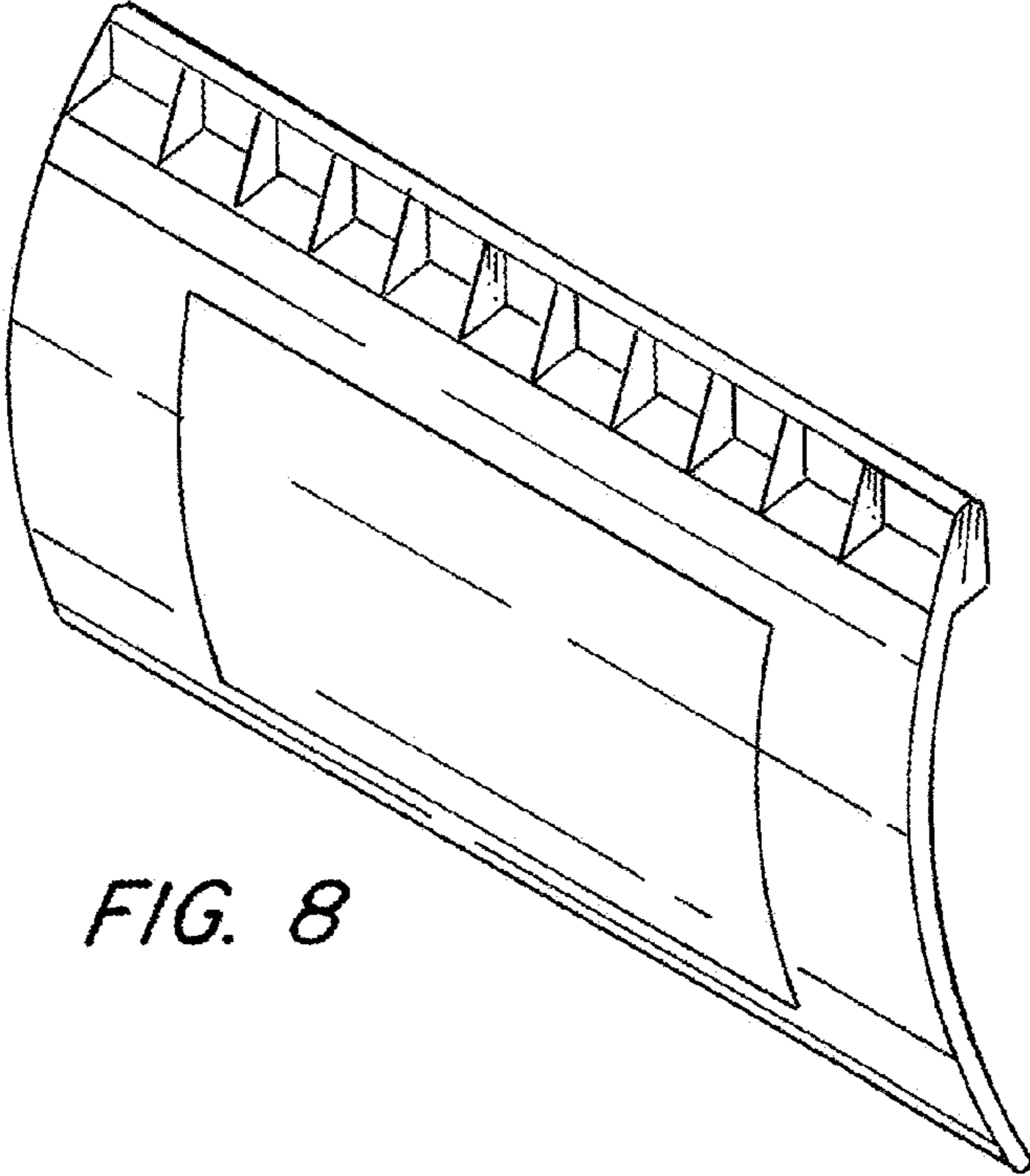


FIG. 8

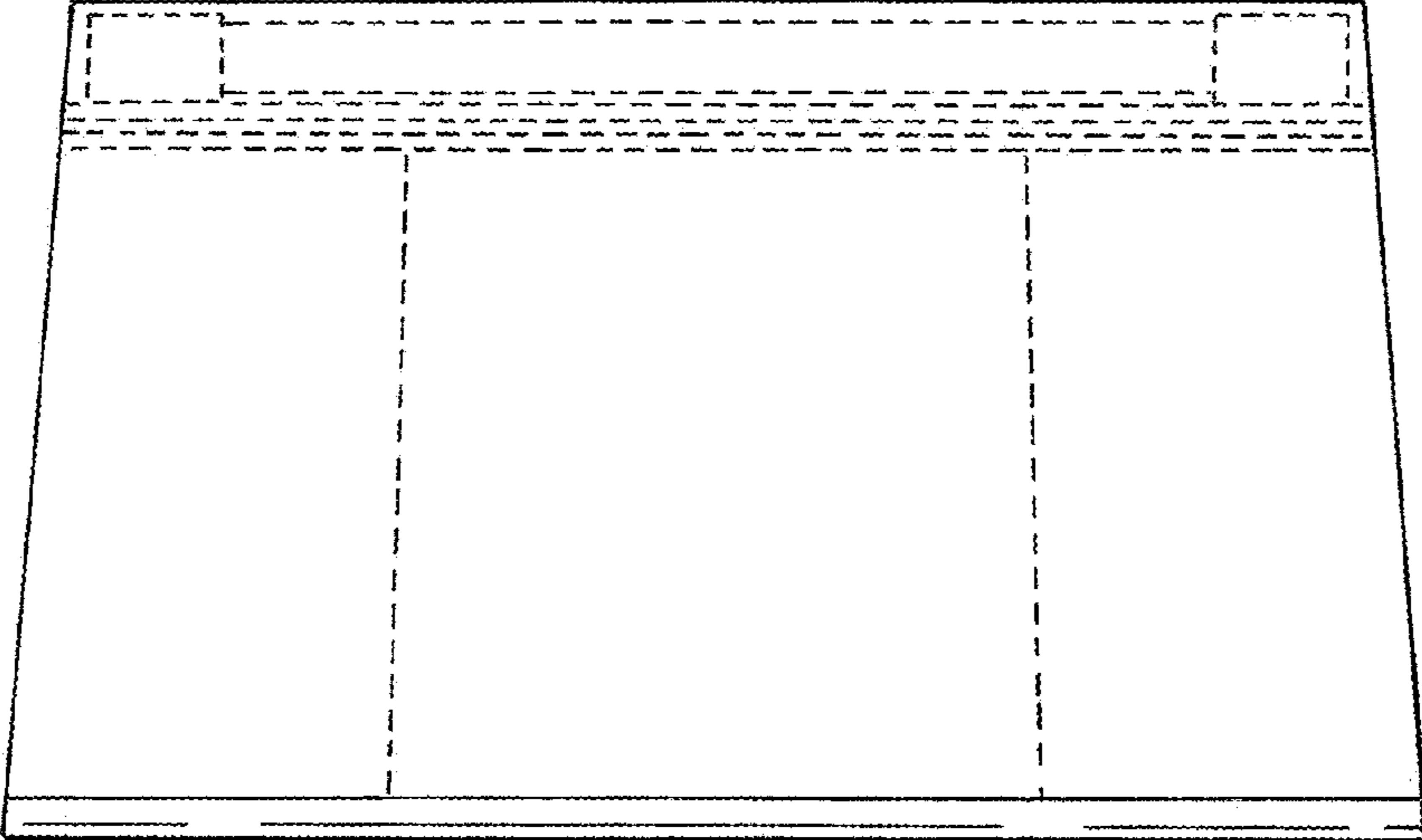


FIG. 9

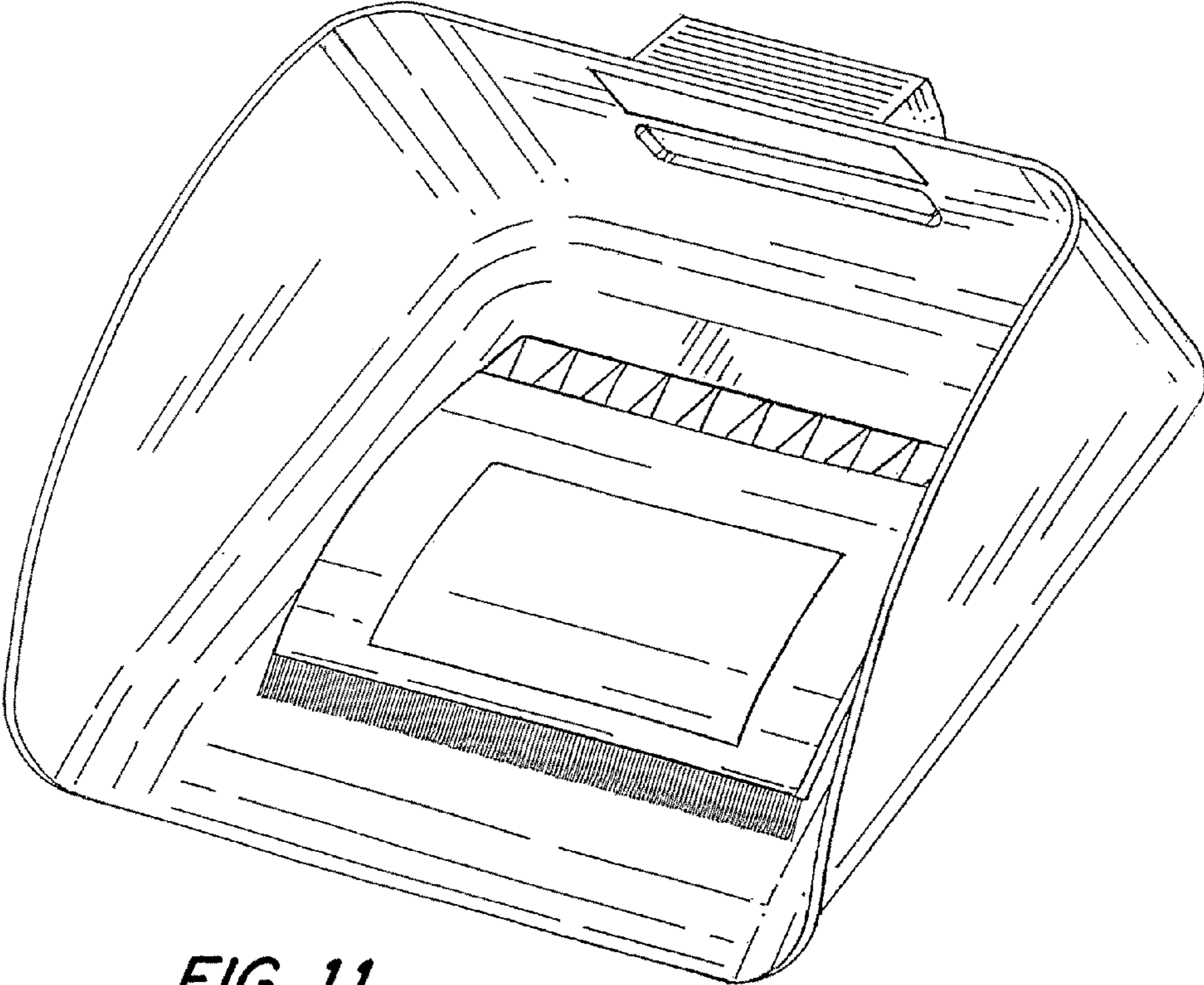


FIG. 11



FIG. 10



FIG. 12



FIG. 13

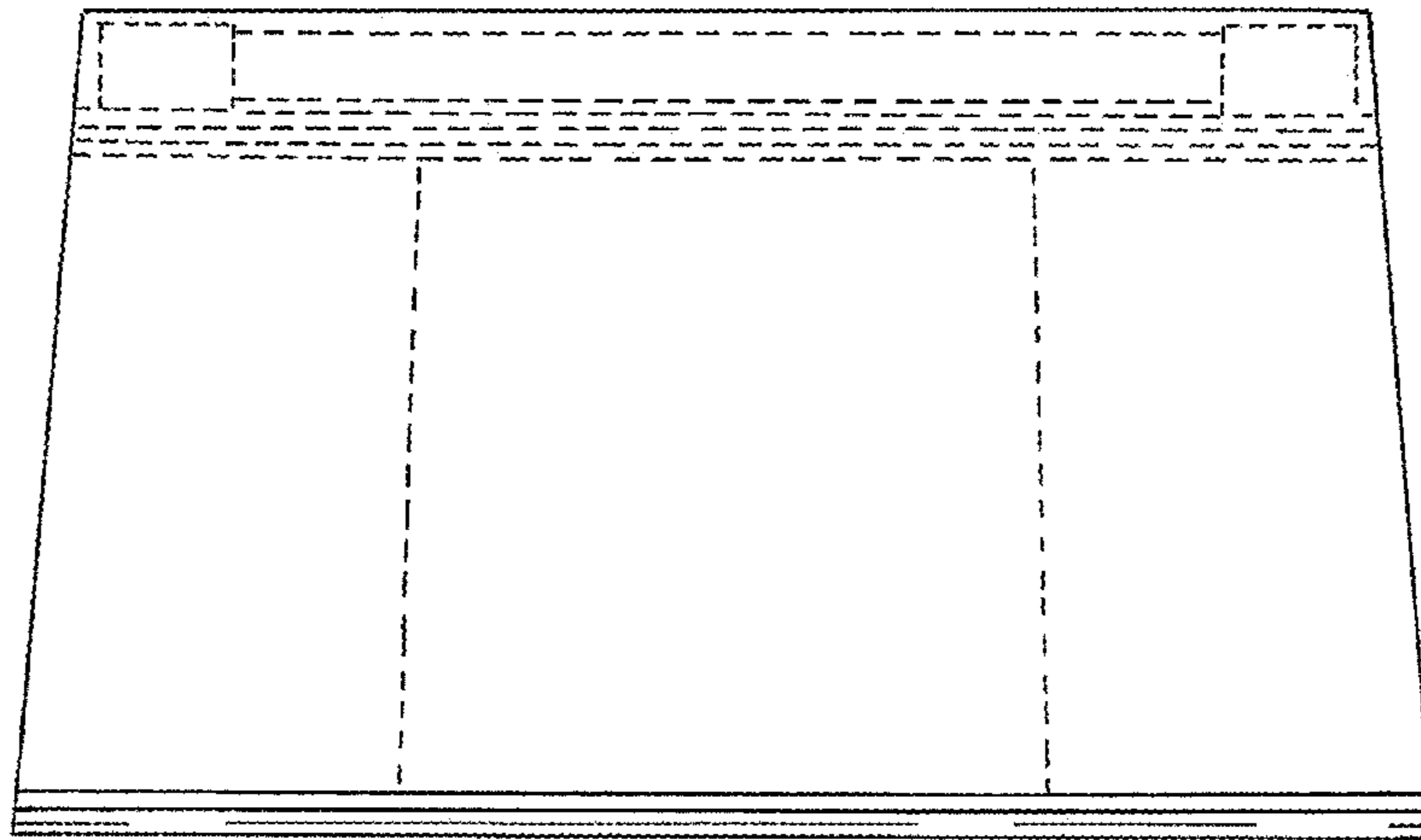


FIG. 14