



US00D709135S

(12) **United States Design Patent**  
**Haut et al.**

(10) **Patent No.:** **US D709,135 S**  
(45) **Date of Patent:** **\*\* Jul. 15, 2014**

(54) **INFANT DEVELOPMENT TOY**  
(75) Inventors: **Marcia Haut**, Bristol, IN (US); **William Haut**, Bristol, IN (US)  
(73) Assignee: **SmartNoggin, inc.**, Noblesville, IN (US)  
(\*\*) Term: **14 Years**  
(21) Appl. No.: **29/413,802**  
(22) Filed: **Feb. 21, 2012**  
(51) **LOC (10) Cl.** ..... **21-01**  
(52) **U.S. Cl.**  
USPC ..... **D21/406; D21/398; D21/623**  
(58) **Field of Classification Search**  
USPC ..... D21/398, 400, 405-408, 465, 466, 467, D21/468, 473, 475, 476, 576, 585, 587, 588, D21/589, 594, 621-649, 658, 659, 682; D11/141, 158; D19/42, 54, 57, 58, 60; D10/109.1, 109.2, 111, 114.1, 114.9; D17/22, 24, 99; D30/160; D26/57, 98, D26/99; D24/194; D8/303, 307, D8/DIG. 4-DIG. 7; 446/71, 72, 139, 175, 446/219, 226, 227, 268, 309, 322, 323, 325, 446/326, 327, 330, 391, 396, 419, 421, 422, 446/484, 485, 486, 487, 490, 491; 119/707-711  
See application file for complete search history.

D277,017 S \* 1/1985 Paczko ..... D21/407  
D282,673 S \* 2/1986 Nakao et al. .... D21/407  
D327,100 S \* 6/1992 Lucas-Haji ..... D21/406  
5,138,535 A \* 8/1992 Aragon, Jr. .... 362/102  
D343,431 S \* 1/1994 Kane ..... D21/588  
D364,430 S \* 11/1995 Kino ..... D21/406  
D421,469 S \* 3/2000 Reinke et al. .... D21/659  
6,447,362 B2 \* 9/2002 Khamphilavong et al. ... 446/227  
D470,886 S \* 2/2003 Sheng ..... D19/42  
6,739,940 B2 \* 5/2004 Chuang ..... 446/325  
D516,949 S \* 3/2006 Thorsteinsson ..... D11/158  
8,096,849 B2 \* 1/2012 Knight ..... 446/397  
D655,056 S \* 2/2012 Blair ..... D30/160  
8,137,150 B2 \* 3/2012 Oestreicher ..... 446/227  
2005/0085749 A1 \* 4/2005 Baerwalde et al. .... 601/15  
2005/0287909 A1 \* 12/2005 Gelfond ..... 446/227  
2009/0253342 A1 \* 10/2009 Oren et al. .... 446/227

\* cited by examiner

*Primary Examiner* — Catherine Tuttle  
(74) *Attorney, Agent, or Firm* — Warner Norcross & Judd LLP

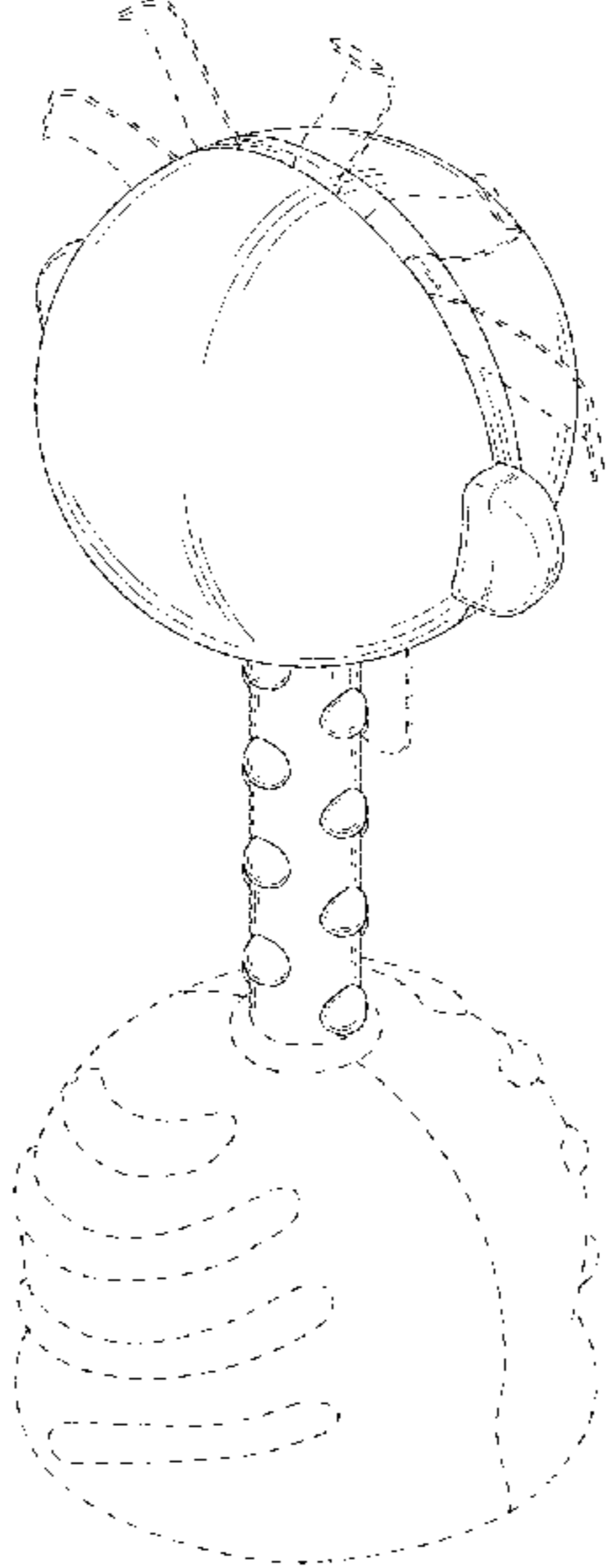
(57) **CLAIM**  
The ornamental design for an infant development toy, as shown and described.

**DESCRIPTION**

FIG. 1 is a perspective view showing our new design for the infant development toy;  
FIG. 2 is a front elevation view of FIG. 1;  
FIG. 3 is a left side elevation view of FIG. 2;  
FIG. 4 is a right side elevation view of FIG. 2;  
FIG. 5 is a rear elevation view of FIG. 2;  
FIG. 6 is an enlarged top plan view of FIG. 2; and,  
FIG. 7 is a bottom plan view of FIG. 2.  
The broken lines are included for the purpose of illustrating the portions of the infant development toy that form no part of the claimed design.

**1 Claim, 6 Drawing Sheets**

(56) **References Cited**  
U.S. PATENT DOCUMENTS  
1,299,430 A \* 4/1919 Da Costa ..... 446/419  
D68,524 S \* 10/1925 Drayton ..... D21/648  
1,557,637 A \* 10/1925 Warner ..... 446/268  
D132,342 S \* 5/1942 Cohn ..... D21/408  
D254,795 S \* 4/1980 Chase et al. .... D21/406  
D269,886 S \* 7/1983 Nakao et al. .... D21/406  
D272,550 S \* 2/1984 Esposti ..... D21/406



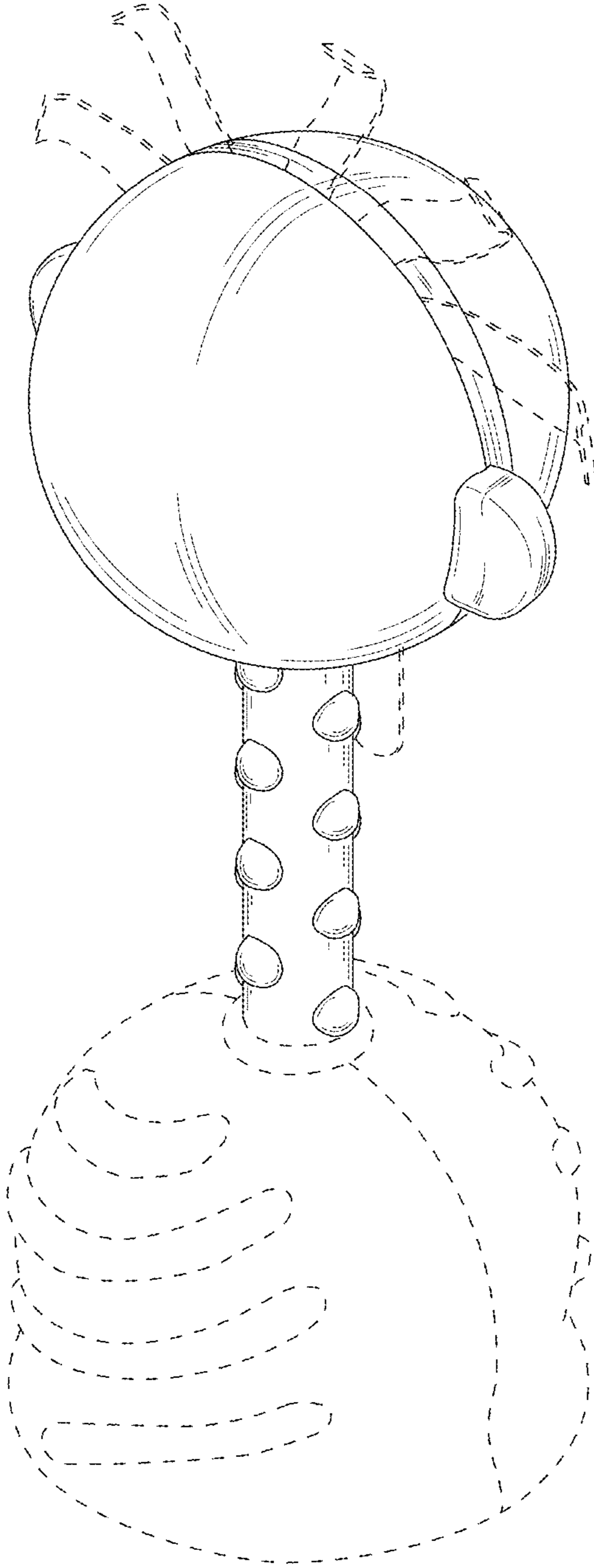
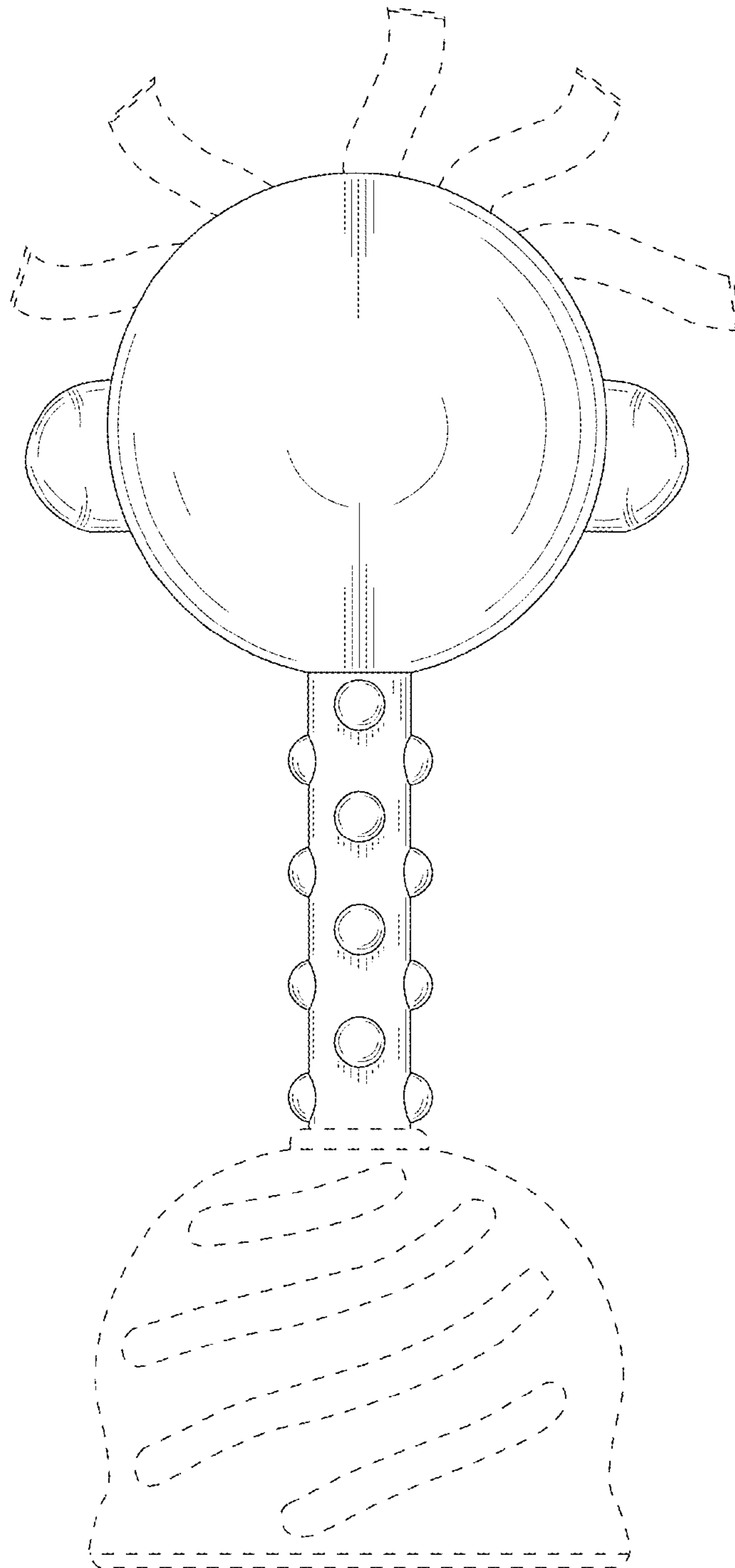
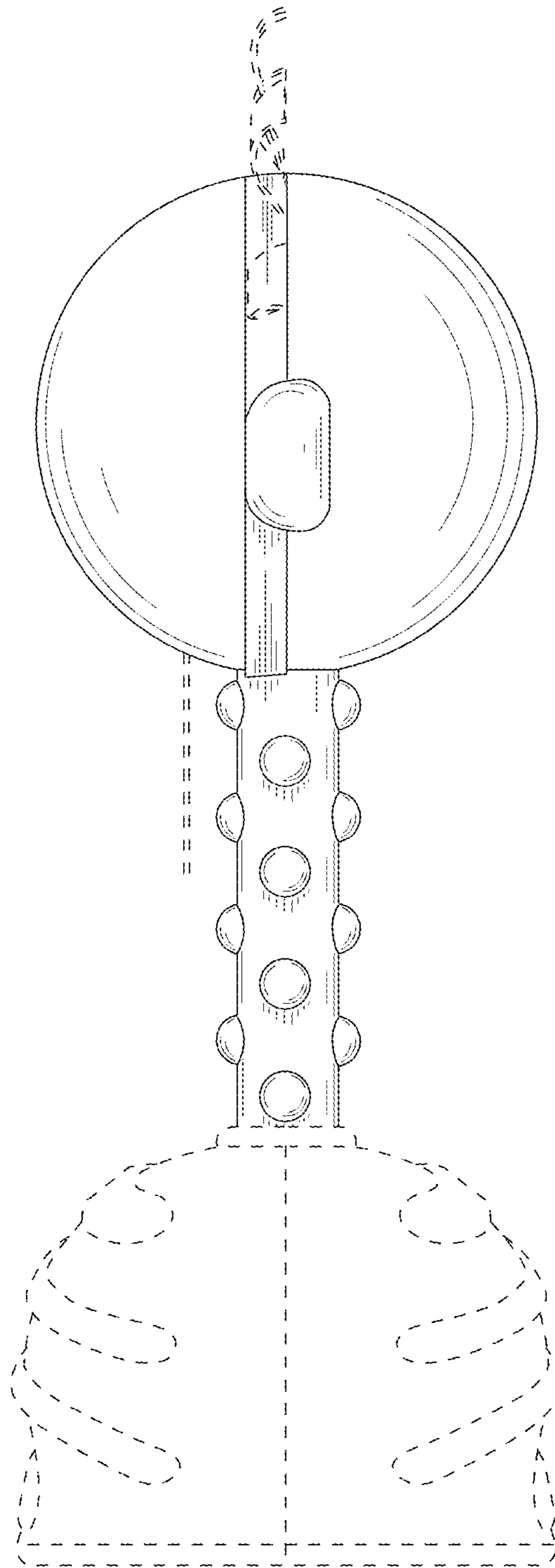


FIG. 1



**FIG. 2**



**FIG. 3**

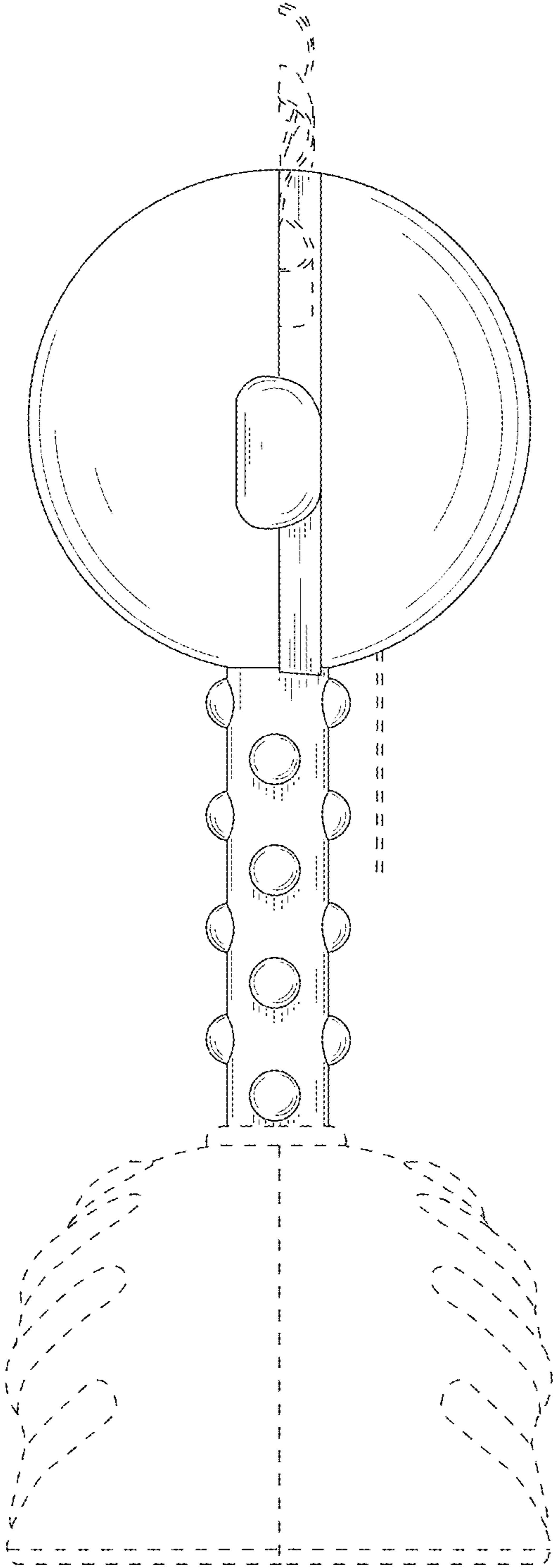
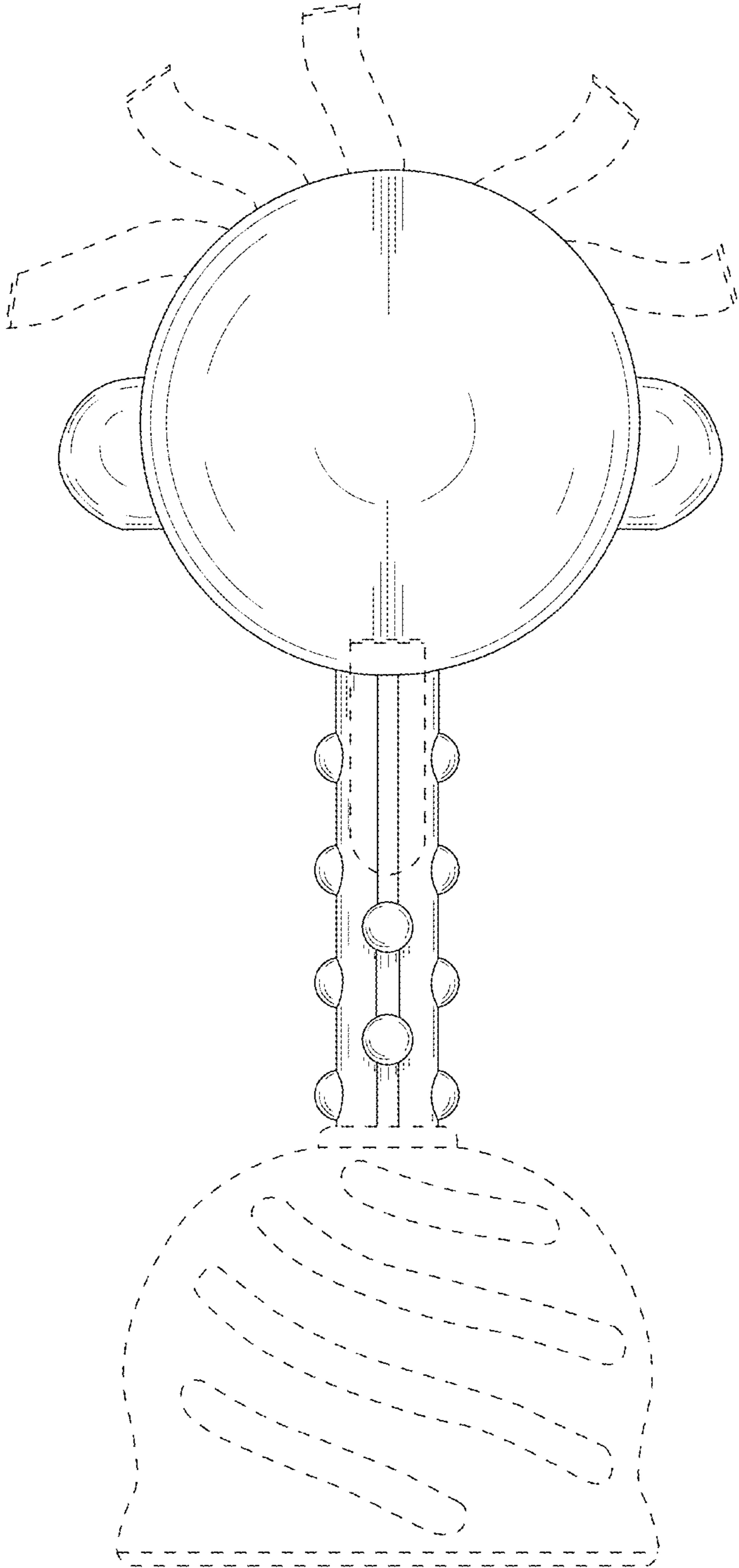
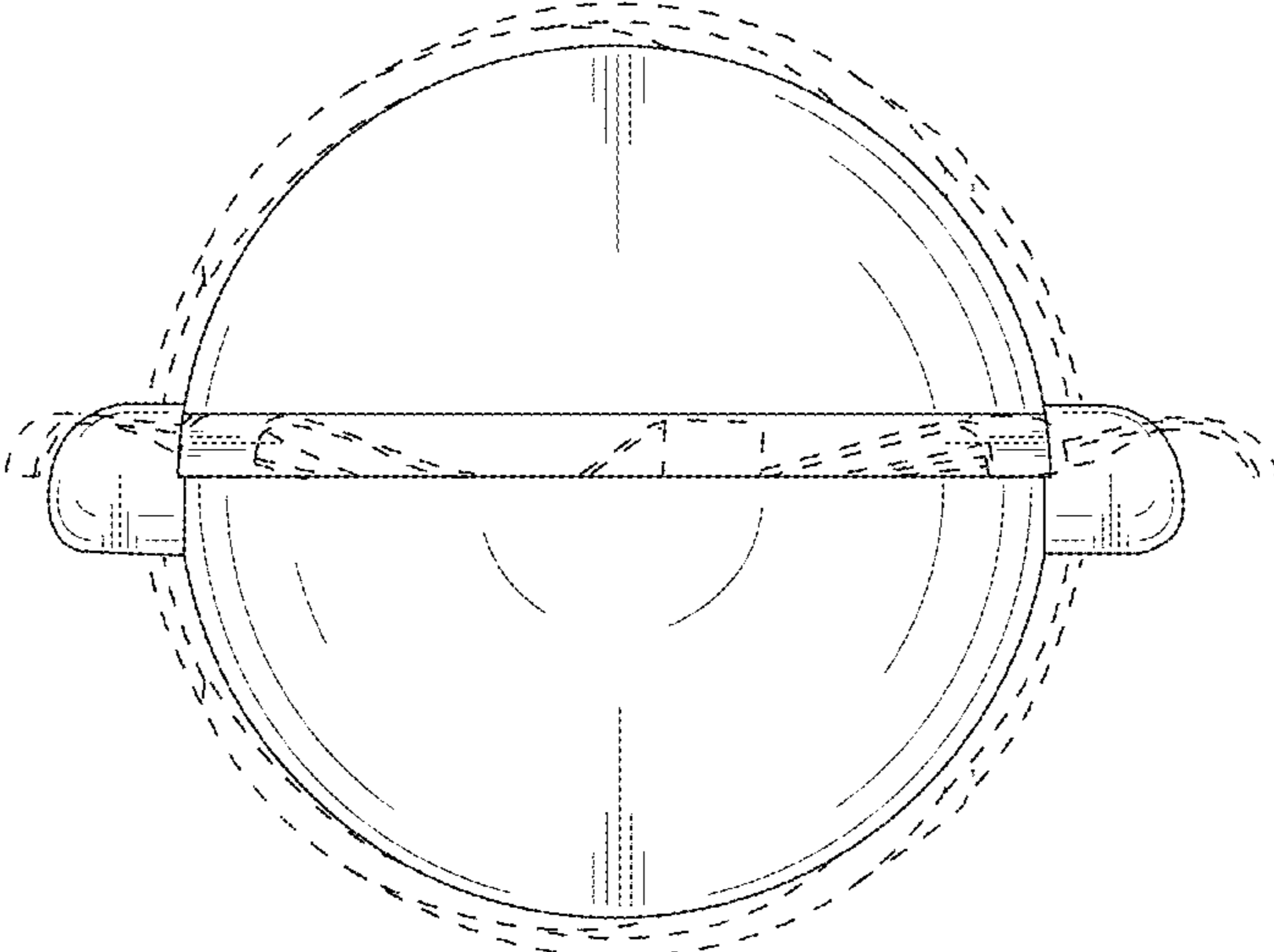


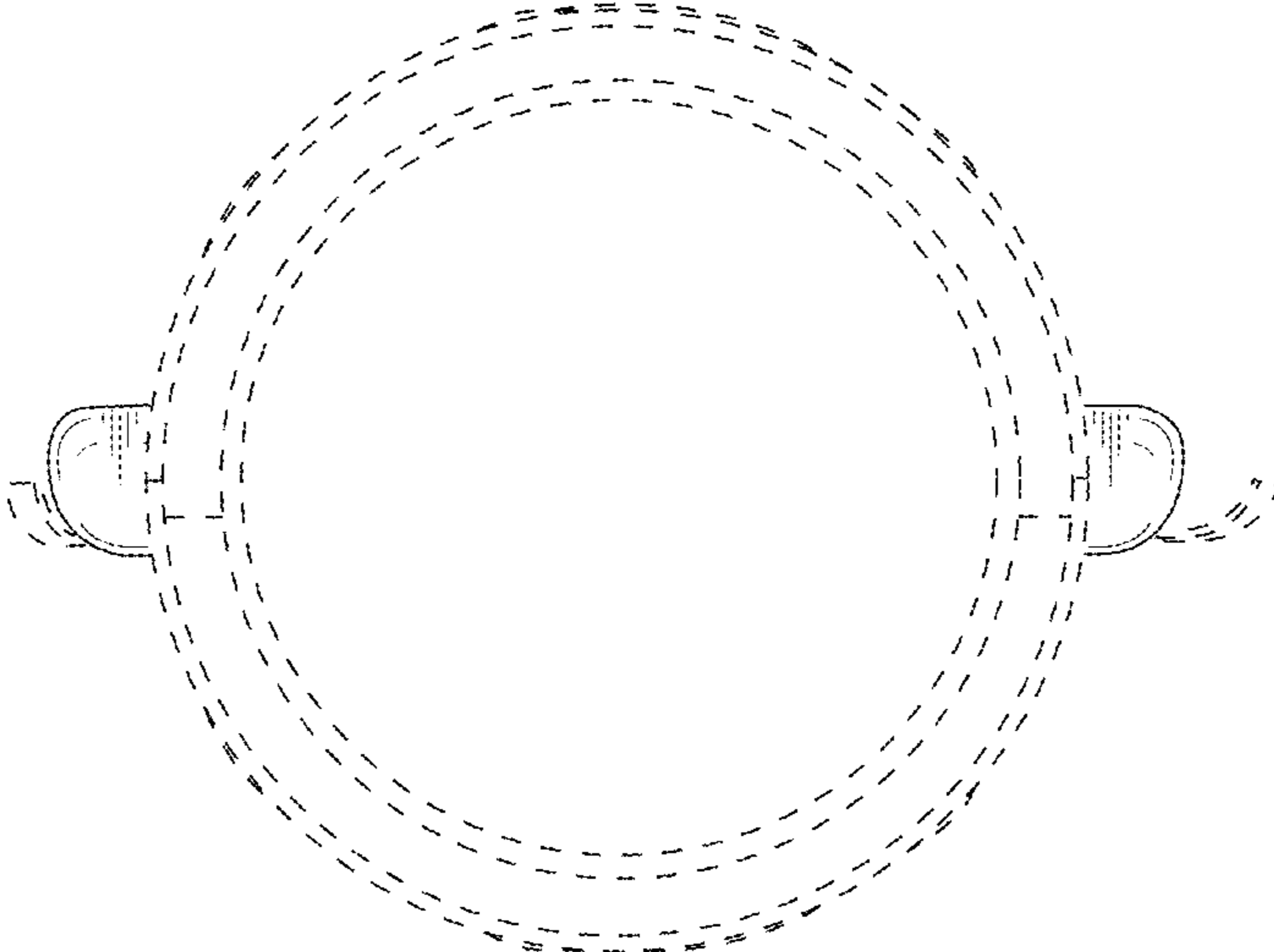
FIG. 4



**FIG. 5**



**FIG. 6**



**FIG. 7**