



US00D709133S

(12) **United States Design Patent**
Jacobs et al.

(10) **Patent No.:** **US D709,133 S**
(45) **Date of Patent:** **** Jul. 15, 2014**

(54) **ELECTRONIC HOUSING**
(71) Applicant: **Microsoft Corporation**, Redmond, WA (US)
(72) Inventors: **Joel B. Jacobs**, Seattle, WA (US); **Scott Dallmeyer**, Seattle, WA (US); **Carl J. Ledbetter**, Mercer Island, WA (US); **Jonathan R. Harris**, Redmond, WA (US); **John Kenichiro Ikeda**, Seattle, WA (US)

(73) Assignee: **Microsoft Corporation**, Redmond, WA (US)

(**) Term: **14 Years**

(21) Appl. No.: **29/447,089**

(22) Filed: **Feb. 28, 2013**

(51) **LOC (10) Cl.** **21-01**

(52) **U.S. Cl.**
USPC **D21/332**; D14/496

(58) **Field of Classification Search**
USPC D14/496, 401, 435, 474, 483, 217, 137, D14/138, 160, 168, 356, 203.1–203.8, 507; 345/156, 169, 173–179, 905; 715/727–729, 864; 710/1, 5, 8; 713/1, 713/600; 455/1.1, 1.7, 73, 344–347, 93, 95, 455/3.01–3.06, 550.1, 573.1; 370/342–344; 369/1, 2, 6–12; 463/43–47, 29–35; 273/148 B; D21/324–333
See application file for complete search history.

(56) **References Cited**

U.S. PATENT DOCUMENTS

5,914,707 A * 6/1999 Kono 345/173
D435,272 S * 12/2000 Swanson et al. D21/328
D452,282 S 12/2001 Stewart et al.
6,565,444 B2 * 5/2003 Nagata et al. 463/46
6,930,600 B1 * 8/2005 Hsieh 340/539.1

6,941,181 B1 * 9/2005 Mathurin 700/94
7,090,582 B2 * 8/2006 Danieli et al. 463/35
D557,680 S * 12/2007 Corsini D14/168
D568,276 S 5/2008 Ikeda et al.
D576,686 S * 9/2008 Ashida et al. D21/332
D606,094 S * 12/2009 Kimura D14/496
D647,918 S 11/2011 Ledbetter et al.
D657,788 S 4/2012 Ledbetter et al.
D664,993 S * 8/2012 Ledbetter et al. D14/496

(Continued)

OTHER PUBLICATIONS

Nintendo NES [online], [retrieved on May 14, 2013]. Retrieved from internet, <http://gamesdbase.com/system-nintendo_nes.aspx/>. Way Back Machine [online], [retrieved Jan. 16, 2013]. Retrieved from internet, <http://web.archive.org/web/20130116120917/http://www.klipsch.com/gallery-g17-air>.

Primary Examiner — Prabhakar Deshmukh

(74) *Attorney, Agent, or Firm* — Banner & Witcoff, Ltd.

(57) **CLAIM**

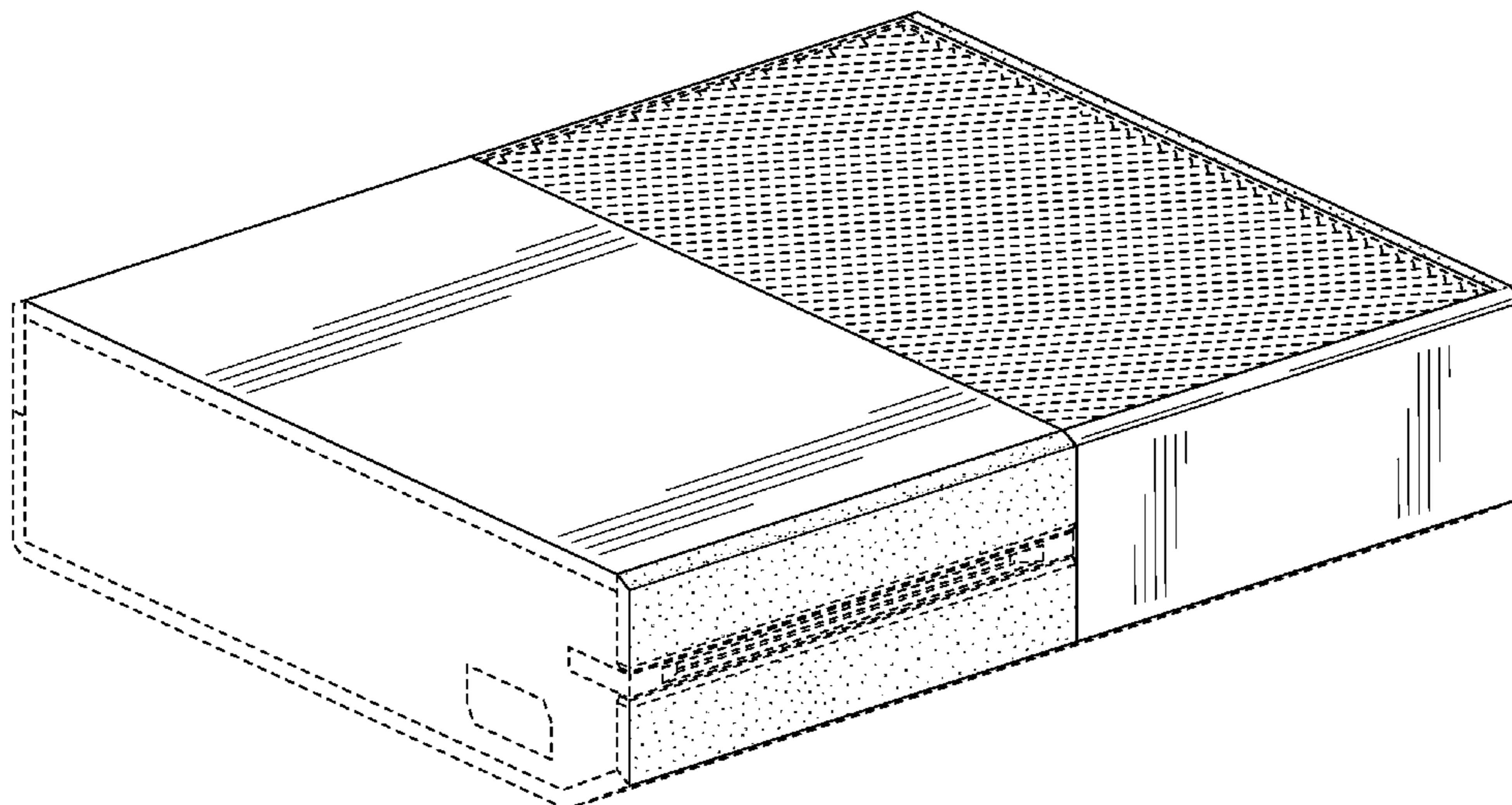
The ornamental design for an electronic housing, as shown and described.

DESCRIPTION

FIG. 1 is a front-left perspective view of an electronic housing showing our new design;
FIG. 2 is a front-right perspective view thereof;
FIG. 3 is a front view thereof;
FIG. 4 is a rear view thereof;
FIG. 5 is a left side view thereof;
FIG. 6 is a right side view thereof;
FIG. 7 is a top view thereof; and,
FIG. 8 is a bottom view thereof.

The broken line showing of the remainder of the electronic housing and the unshaded regions therein is for environmental purposes only and forms no part of the claimed design. The difference in shading in the figures indicates a contrast of appearance and does not depict any particular color, texture, or material.

1 Claim, 6 Drawing Sheets



(56)

References Cited

U.S. PATENT DOCUMENTS

D665,424 S 8/2012 Ledbetter et al.

D666,680 S * 9/2012 Mercier et al. D21/333
D680,174 S * 4/2013 Mercier et al. D21/333

* cited by examiner

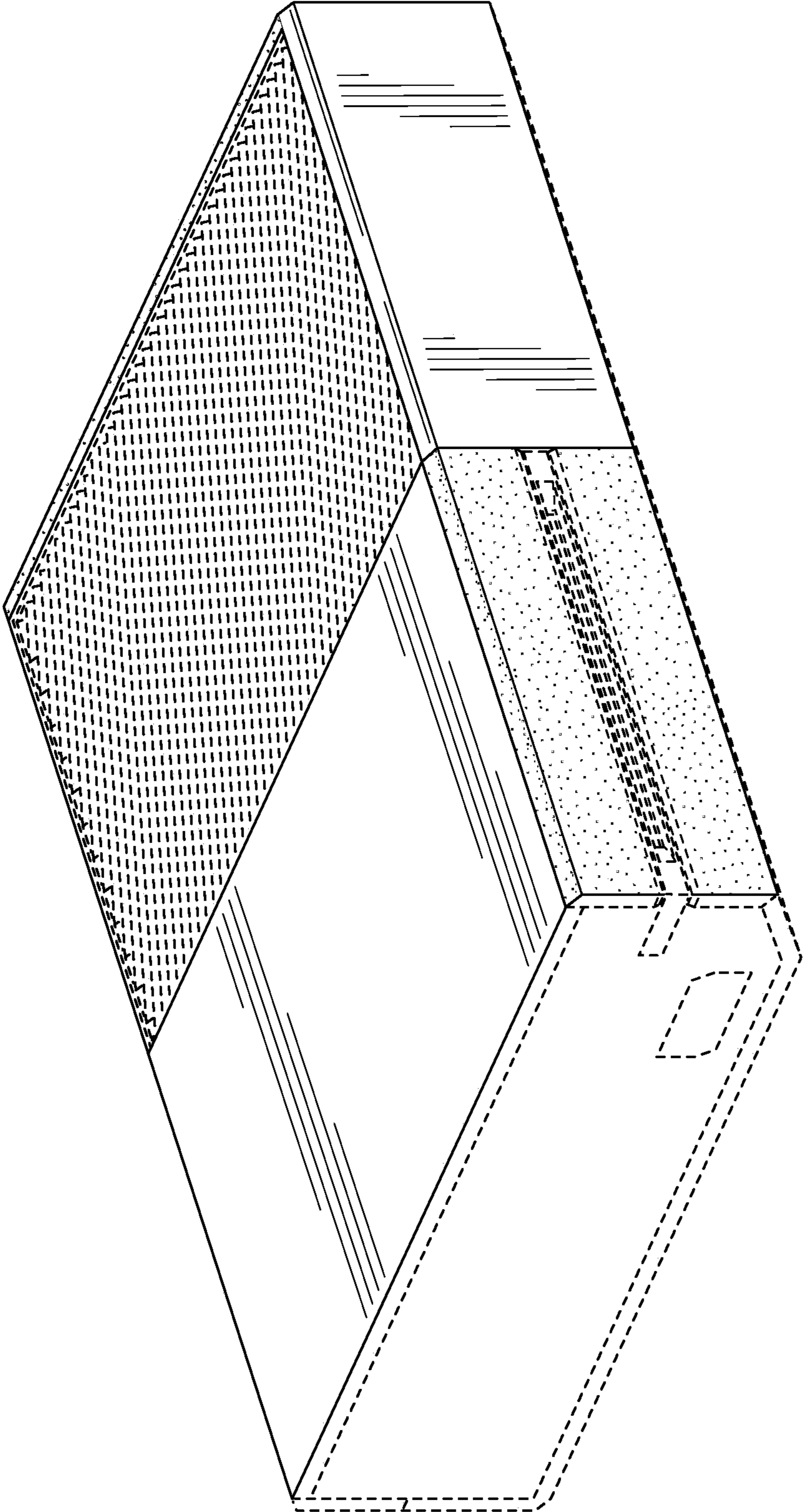


FIG. 1

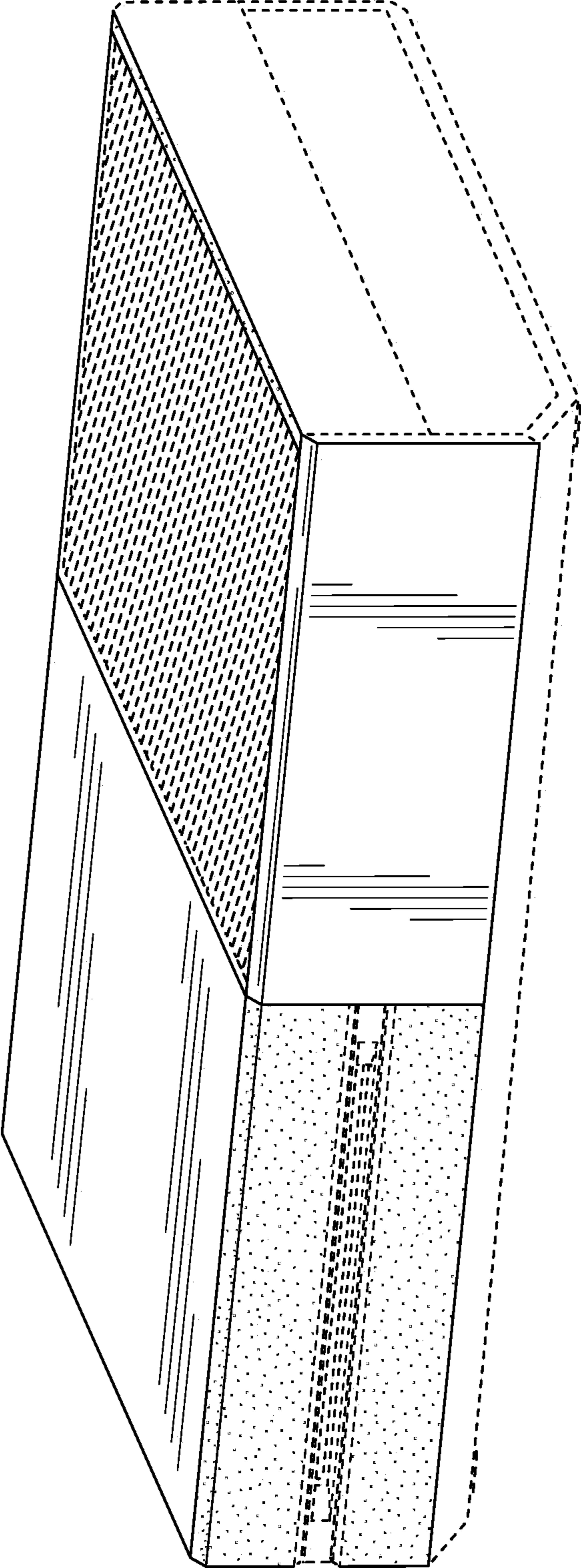


FIG. 2

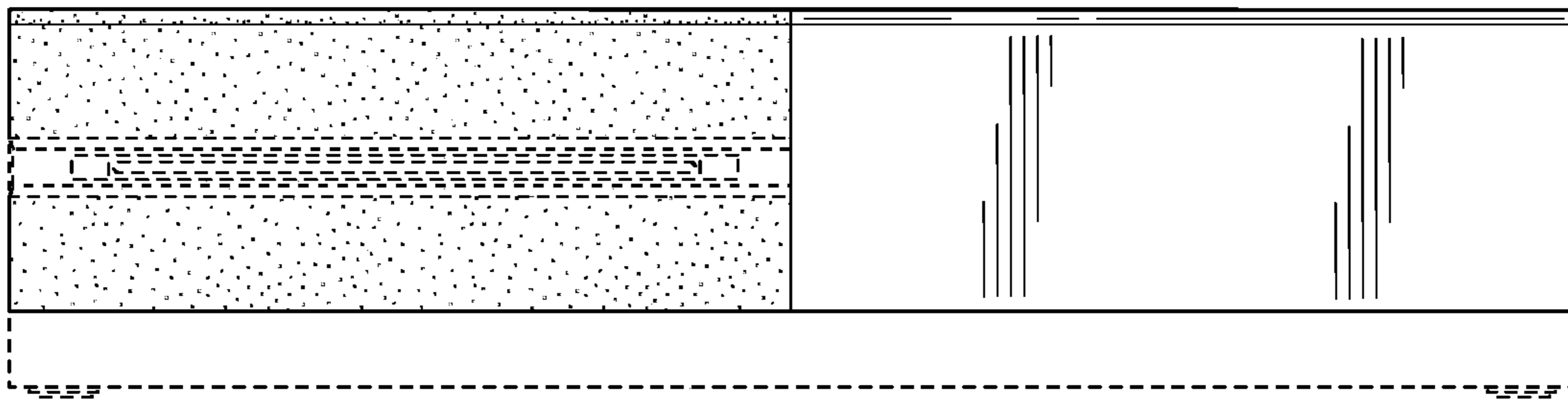


FIG. 3

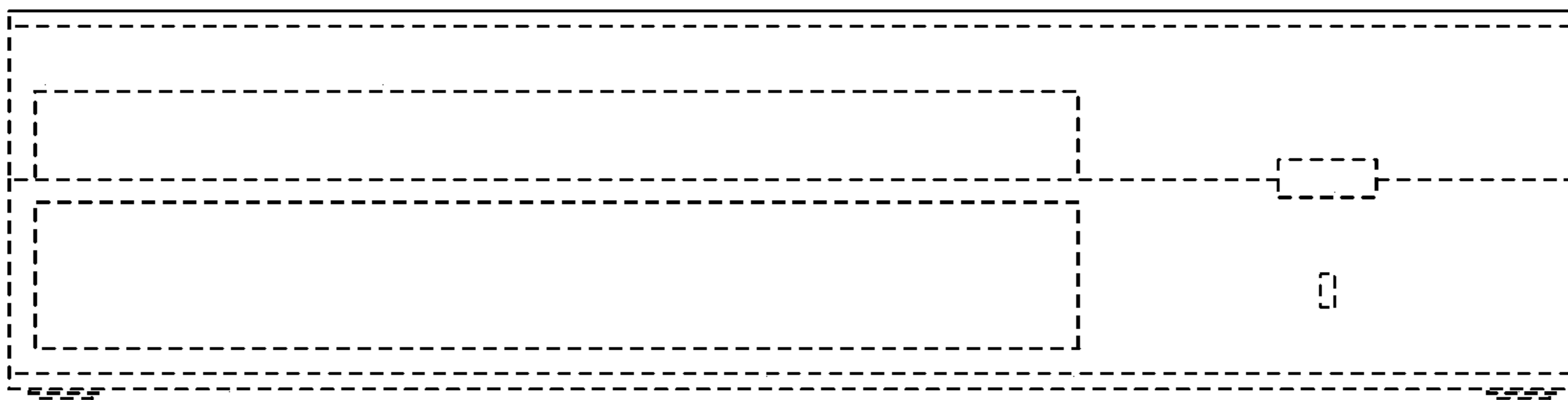


FIG. 4

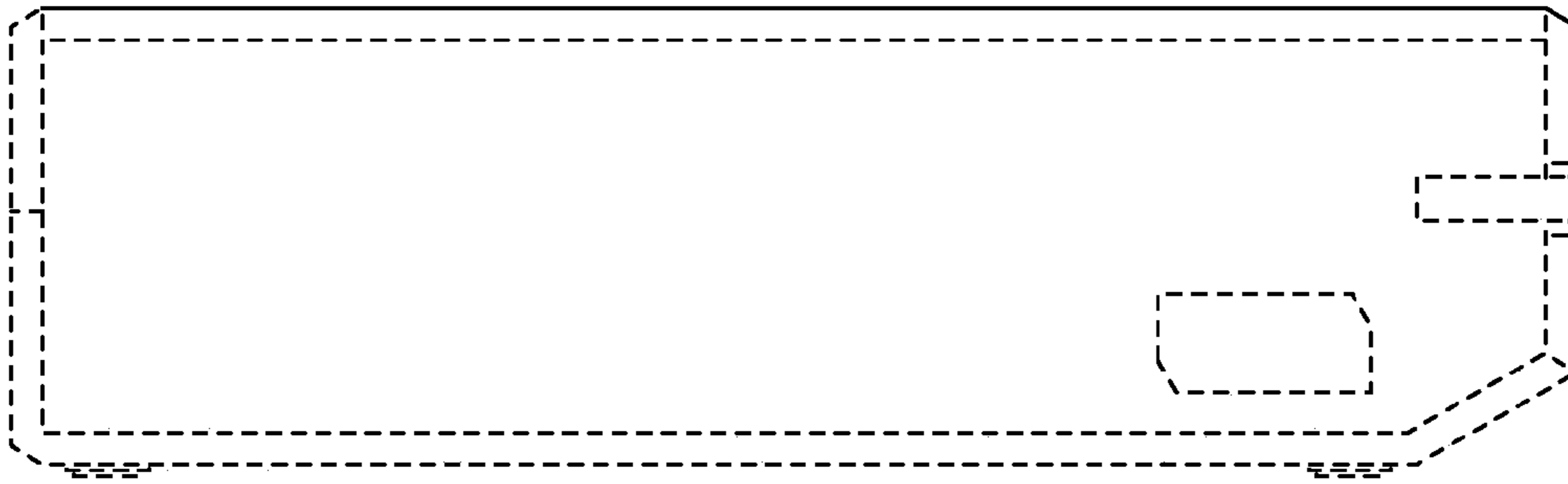


FIG. 5

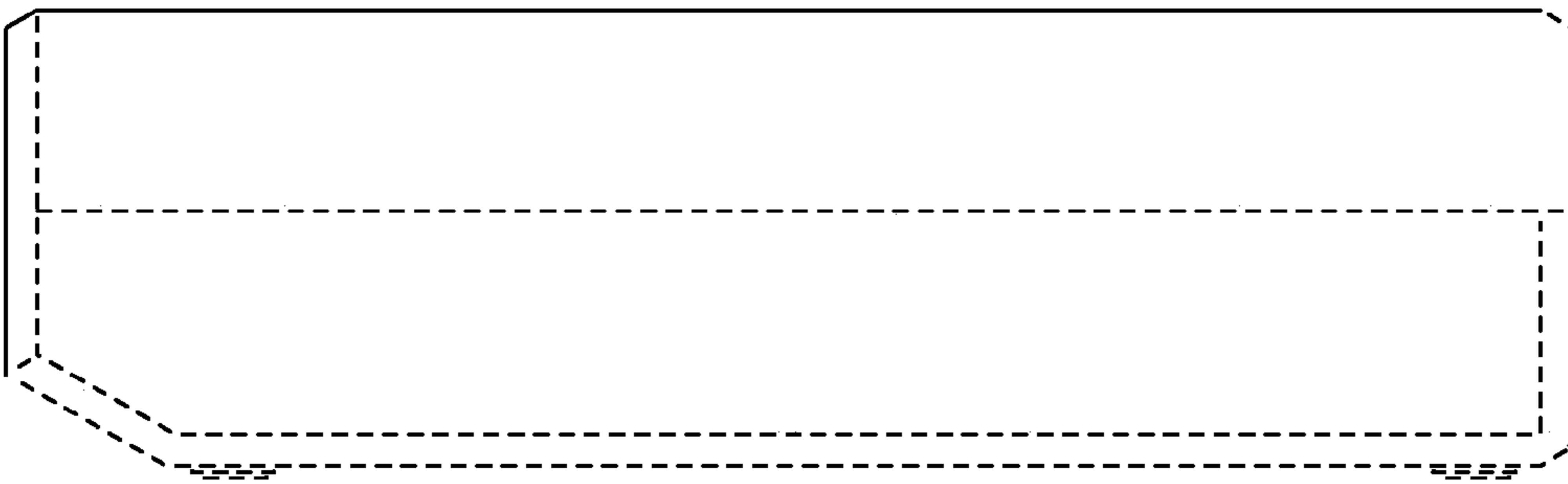


FIG. 6

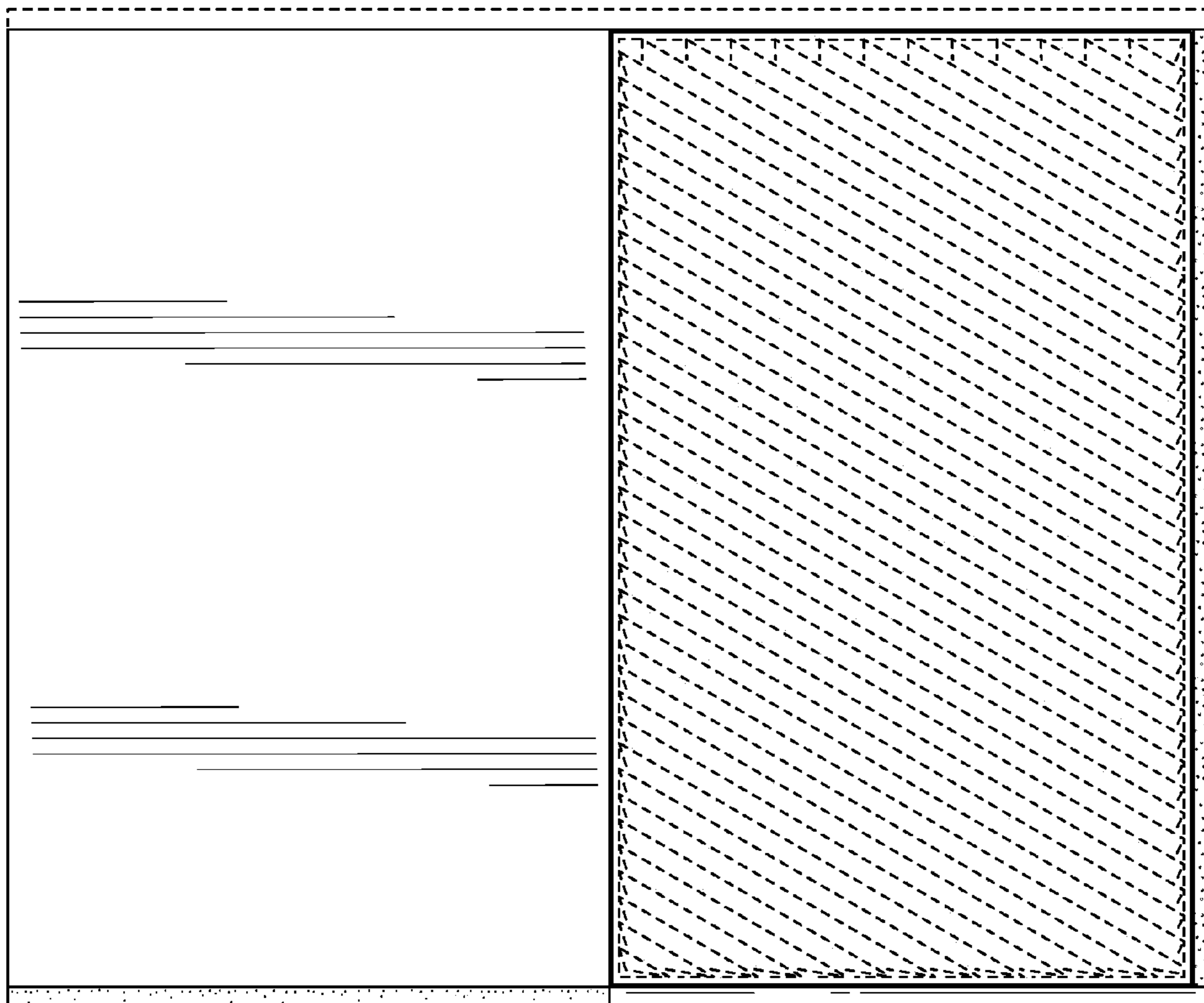


FIG. 7



FIG. 8