



US00D709132S

(12) **United States Design Patent**
Dougherty et al.

(10) **Patent No.:** **US D709,132 S**

(45) **Date of Patent:** **** Jul. 15, 2014**

(54) **DISPLAY SIGN**

(71) Applicant: **Target Brands, Inc.**, Minneapolis, MN (US)

(72) Inventors: **Kristin A. Dougherty**, Chaska, MN (US); **April E. Jackson**, Golden Valley, MN (US); **Jeffrey P. Pirro**, Marcellus, NY (US)

(73) Assignee: **Target Brands, Inc.**, Minneapolis, MN (US)

(**) Term: **14 Years**

(21) Appl. No.: **29/457,710**

(22) Filed: **Jun. 12, 2013**

(51) **LOC (10) Cl.** **20-03**

(52) **U.S. Cl.**
USPC **D20/19; D20/41**

(58) **Field of Classification Search**

CPC G09F 13/00; G09F 13/04; G09F 13/0404; G09F 13/0413; G09F 13/20; G09F 13/26; G09F 13/28; G09F 13/44; G09F 19/12; G09F 2013/04; G09F 2013/00; G09F 2013/222; G09F 2013/0459; G09F 5/00; G09F 7/00; G09F 7/02; G09F 9/00; G09F 15/00; A47F 7/00; A47F 7/02; A47F 7/283; A47F 5/02; A47B 8/007
USPC D20/10, 17-19, 39, 41-43, 99; 40/368, 40/446-448, 489, 538, 541, 542, 559, 564, 40/568, 572, 584, 585, 600, 605, 606.03, 40/606.18, 617, 642.02, 642.03, 607.12, 40/611.12; D6/672, 682.1; D8/1; D7/619.2; 211/13.1, 70.01, 85.18; 220/737; 248/311.2; 362/812; D10/109.1, 109.2, 113.4

See application file for complete search history.

(56) **References Cited**

U.S. PATENT DOCUMENTS

D241,228 S 8/1976 Boduch
D244,259 S 5/1977 Bergstein

(Continued)

OTHER PUBLICATIONS

Office Action from Canadian Patent Application No. 152,391, mailed Mar. 20, 2014 (4 pages).

(Continued)

Primary Examiner — Mary Ann Calabrese

(74) *Attorney, Agent, or Firm* — Griffiths & Seaton PLLC; JoAnn M. Seaton

(57) **CLAIM**

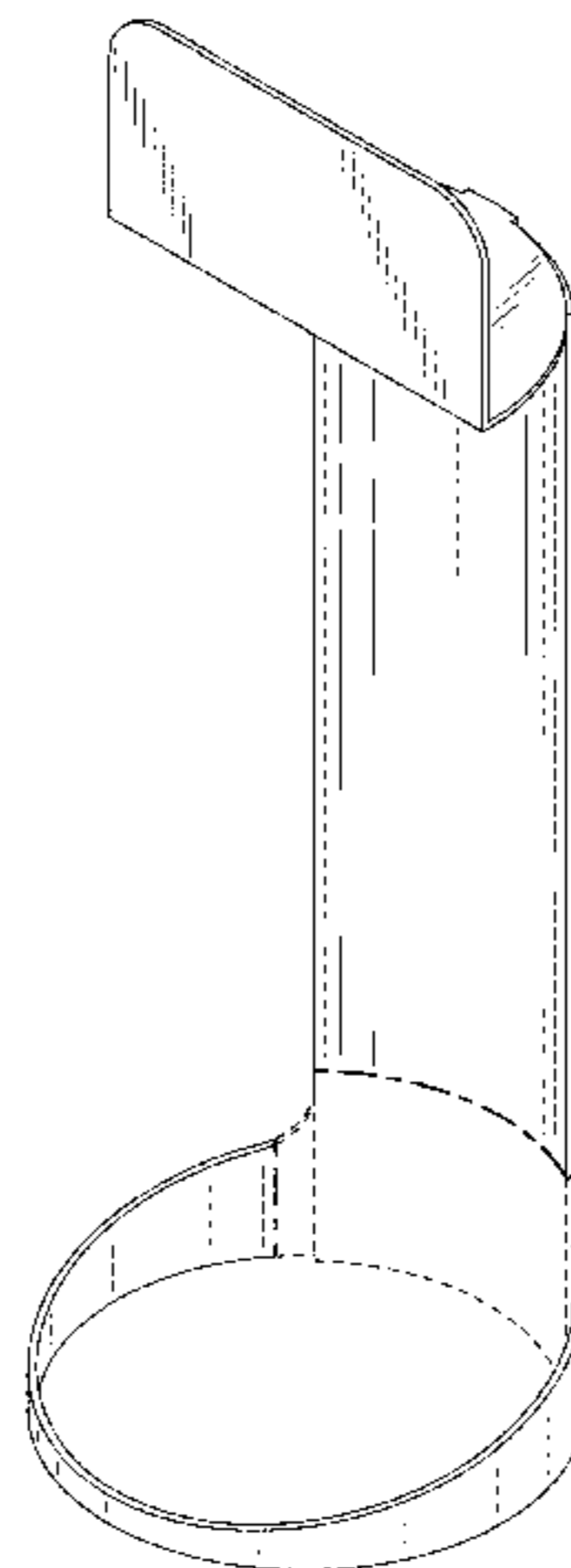
The ornamental design for a display sign, as shown and described.

DESCRIPTION

FIG. 1 is a front, perspective view of a display sign showing our new design;
FIG. 2 is a front view thereof;
FIG. 3 is a rear view thereof;
FIG. 4 is a right side view thereof, the left side view being a mirror image of the right side view;
FIG. 5 is a top view thereof; and
FIG. 6 is a bottom view thereof.
FIG. 7 is a front, perspective view of the display sign of FIG. 1 with additional environmental subject matter;
FIG. 8 is a front view thereof;
FIG. 9 is a rear view thereof;
FIG. 10 is a right side view thereof, the left side view being a mirror image of the right side view;
FIG. 11 is a top view thereof; and,
FIG. 12 is a bottom view thereof.

The features shown in broken lines are portions of the display sign and environmental subject matter to the display sign forming no part of the claimed design. The features shown in long dash-short dash bolded broken lines indicate the bounds of the claimed design and otherwise form no part of the claimed design.

1 Claim, 10 Drawing Sheets



(56)

References Cited

U.S. PATENT DOCUMENTS

D259,922 S 7/1981 Seki
 D283,677 S 5/1986 Fortuna et al.
 4,606,523 A * 8/1986 Statz et al. 248/311.2
 4,634,089 A * 1/1987 Wright et al. 248/311.2
 D332,974 S * 2/1993 Asselin D20/41
 D382,596 S * 8/1997 Dallman D20/10
 D400,005 S 10/1998 Wolff
 D435,067 S 12/2000 Shih
 D436,134 S 1/2001 Aguayo, Jr.
 D436,861 S 1/2001 Sagel et al.
 D444,885 S 7/2001 Conway
 D444,886 S 7/2001 Conway
 D466,809 S 12/2002 Sagel
 D509,713 S * 9/2005 Gall D8/1
 D519,027 S 4/2006 Haber et al.
 D526,190 S 8/2006 Bolt et al.
 D526,538 S * 8/2006 Harris D7/619.2
 D527,252 S 8/2006 Bolt et al.
 7,156,353 B2 * 1/2007 Kringel et al. 248/311.2
 D579,324 S 10/2008 Schmidt
 D587,584 S 3/2009 Jaichandra et al.
 D596,024 S 7/2009 Fraguada McCoy et al.

D628,080 S 11/2010 Van Heerikhuize et al.
 D647,978 S * 11/2011 Bacskai et al. D20/43
 D654,374 S 2/2012 Lauder
 D657,689 S 4/2012 Bodkin
 D659,764 S 5/2012 Engelhardt
 D660,361 S * 5/2012 Carver, Jr. D20/19
 D663,217 S 7/2012 Bodkin
 D671,831 S 12/2012 Moreau
 D687,243 S * 8/2013 Kikkert et al. D6/672
 D697,976 S * 1/2014 Kurmlavage D20/43
 2004/0149765 A1 * 8/2004 Pryce 220/737
 2011/0203150 A1 * 8/2011 Buncher 40/649

OTHER PUBLICATIONS

U.S. Appl. No. 29/457,722, filed Jun. 12, 2013 (9 pages).
 "Counter Top Displays", printed from www.displaysandsigns.com/cosmetic_displays.html publicly available at least as early as May 3, 2012, per <http://web.archive.org> (2 pages).
 "Acrylic Plastic Cosmetic Cases", printed from www.chinadisplays.com/products_detail/&productId=a165caaf-9f43-4892-9fdf-6bb9b9eb3233.html publicly available at least as early as Feb. 19, 2012 (2 pages).
 Photographs of Fixture and Signage from Target Store, (3 pages).

* cited by examiner

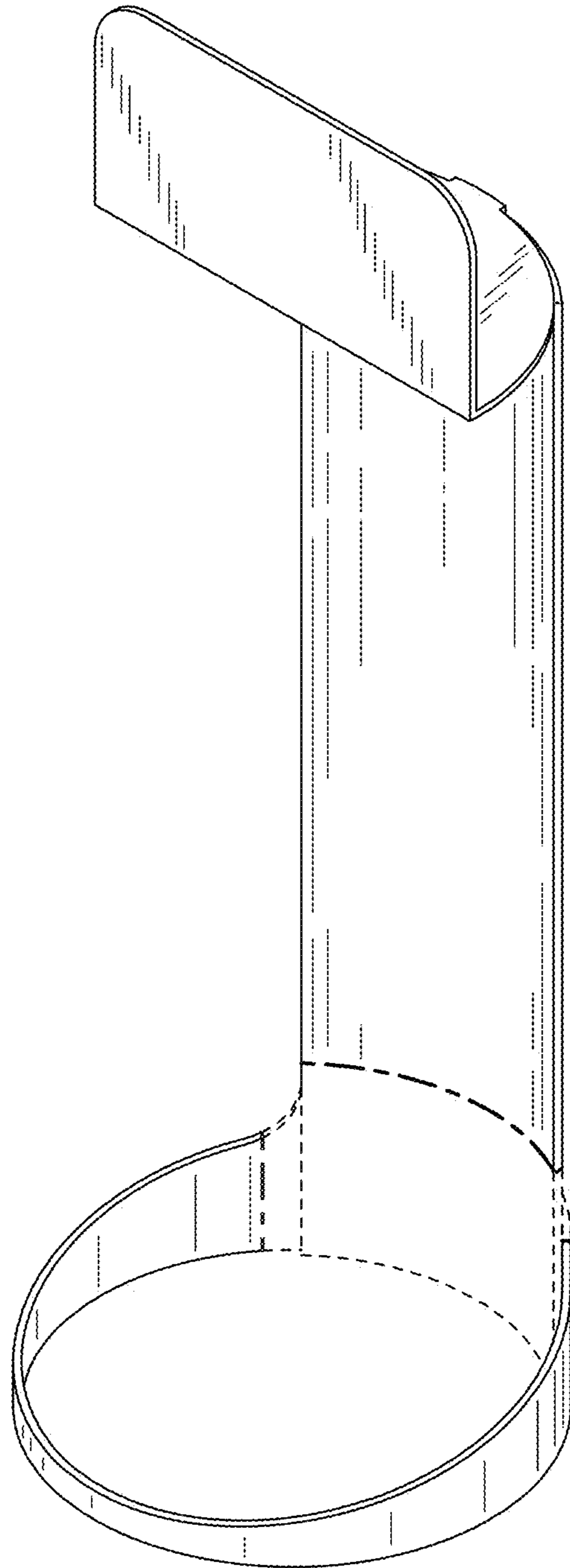


FIG. 1

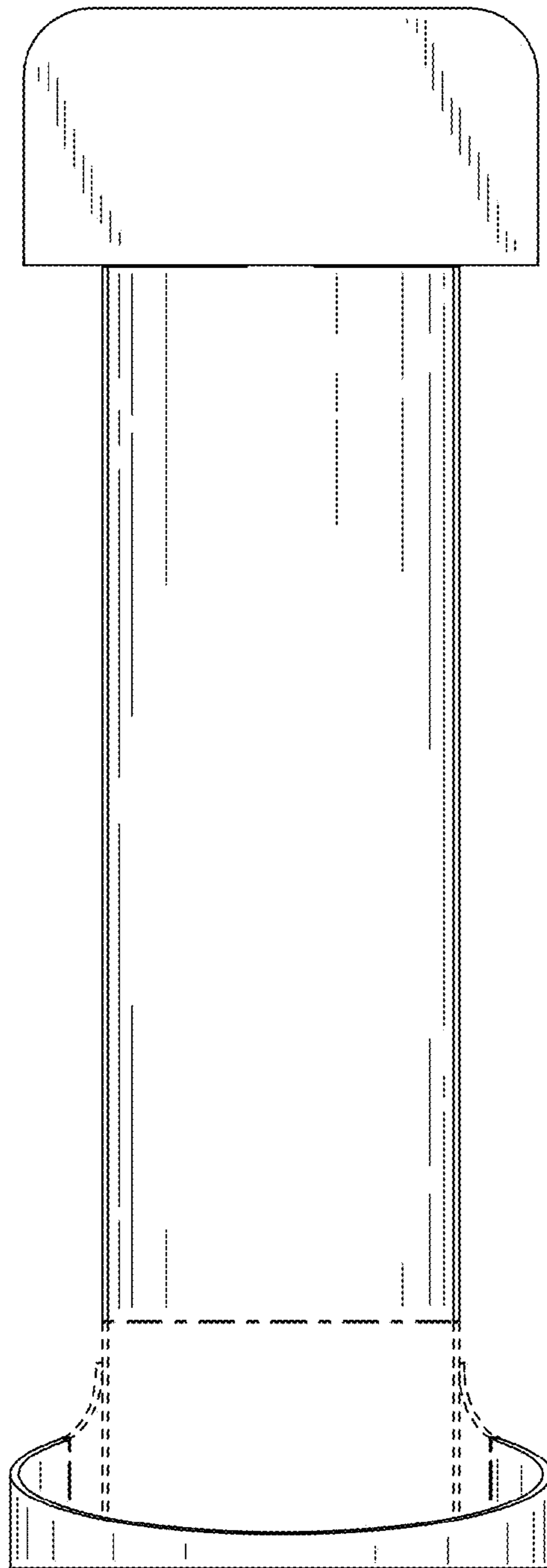


FIG. 2

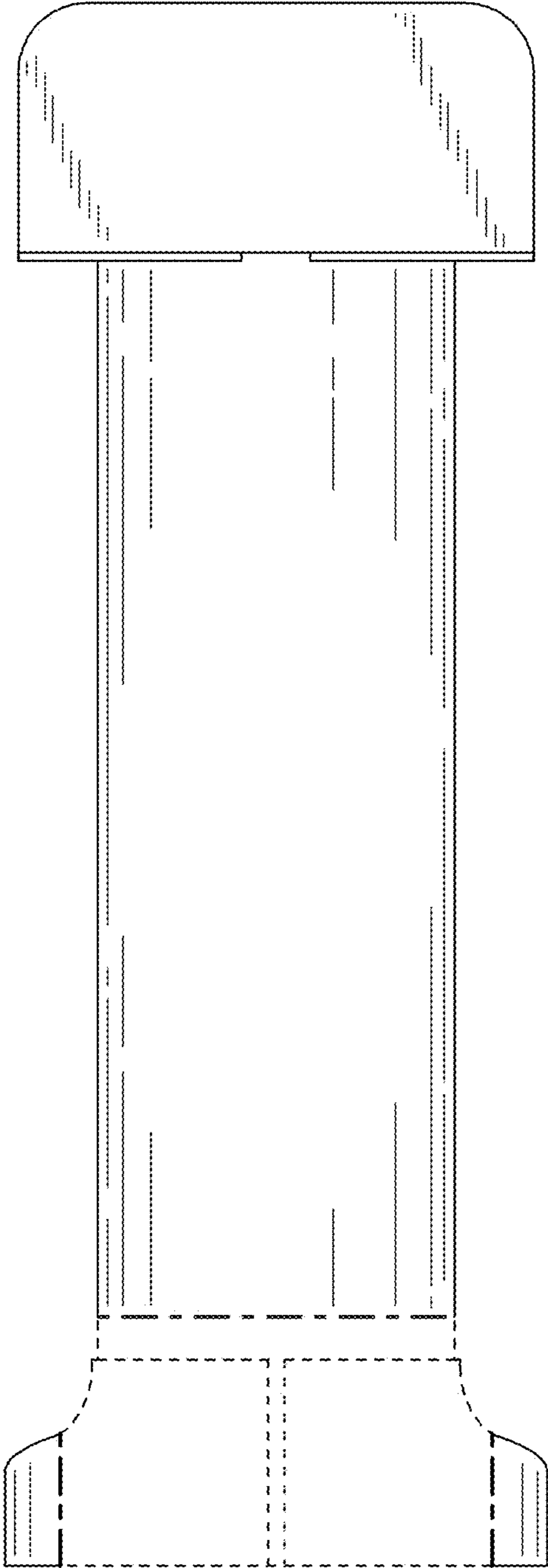


FIG. 3

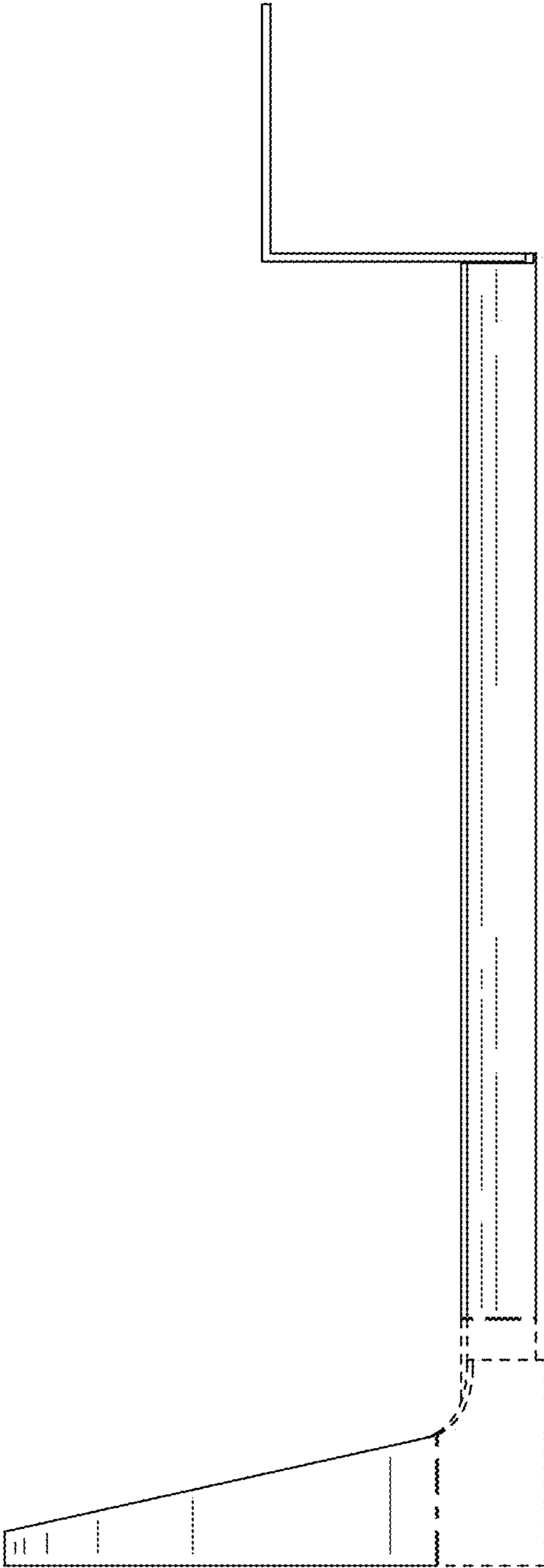


FIG. 4

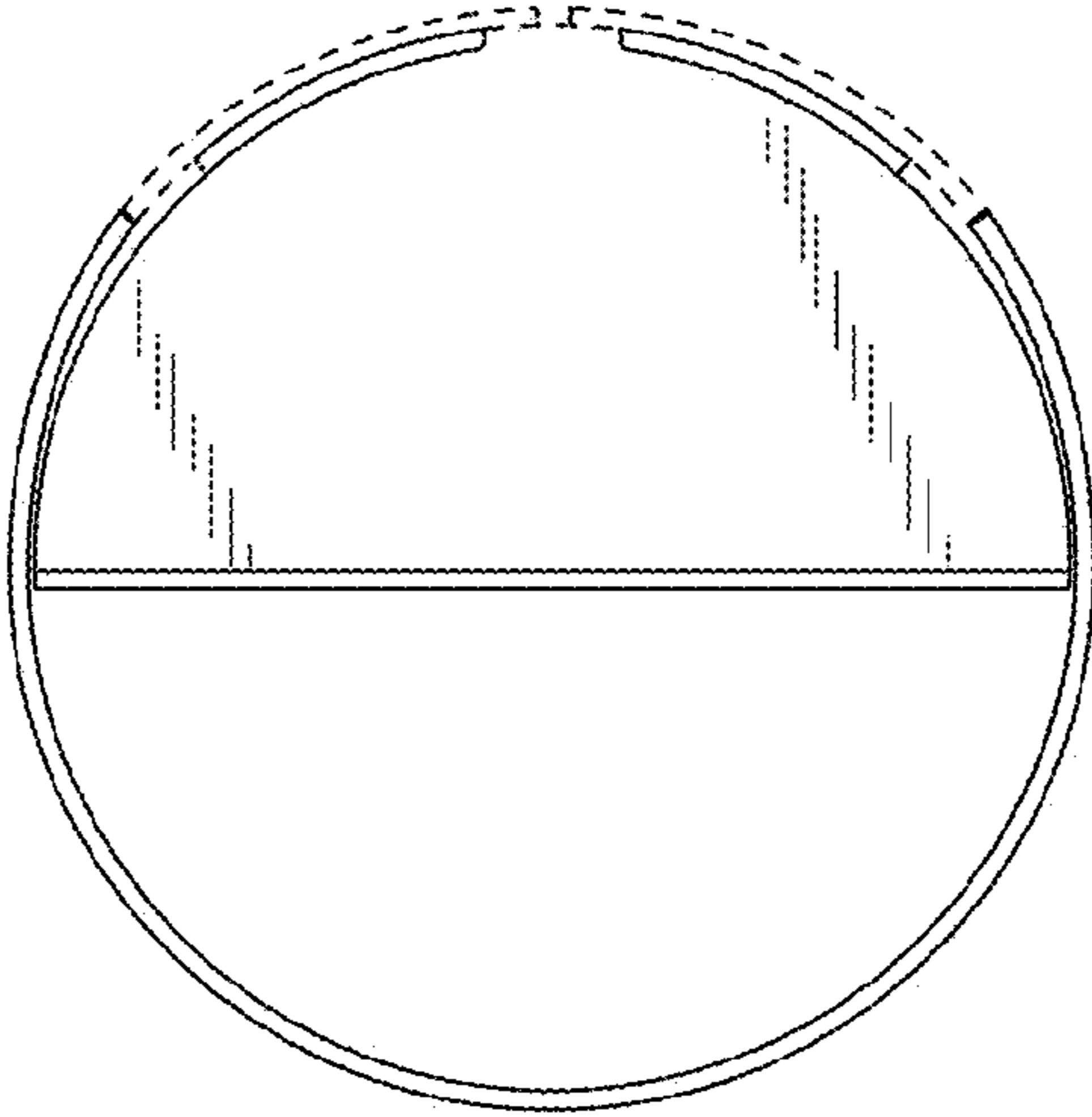


FIG. 5

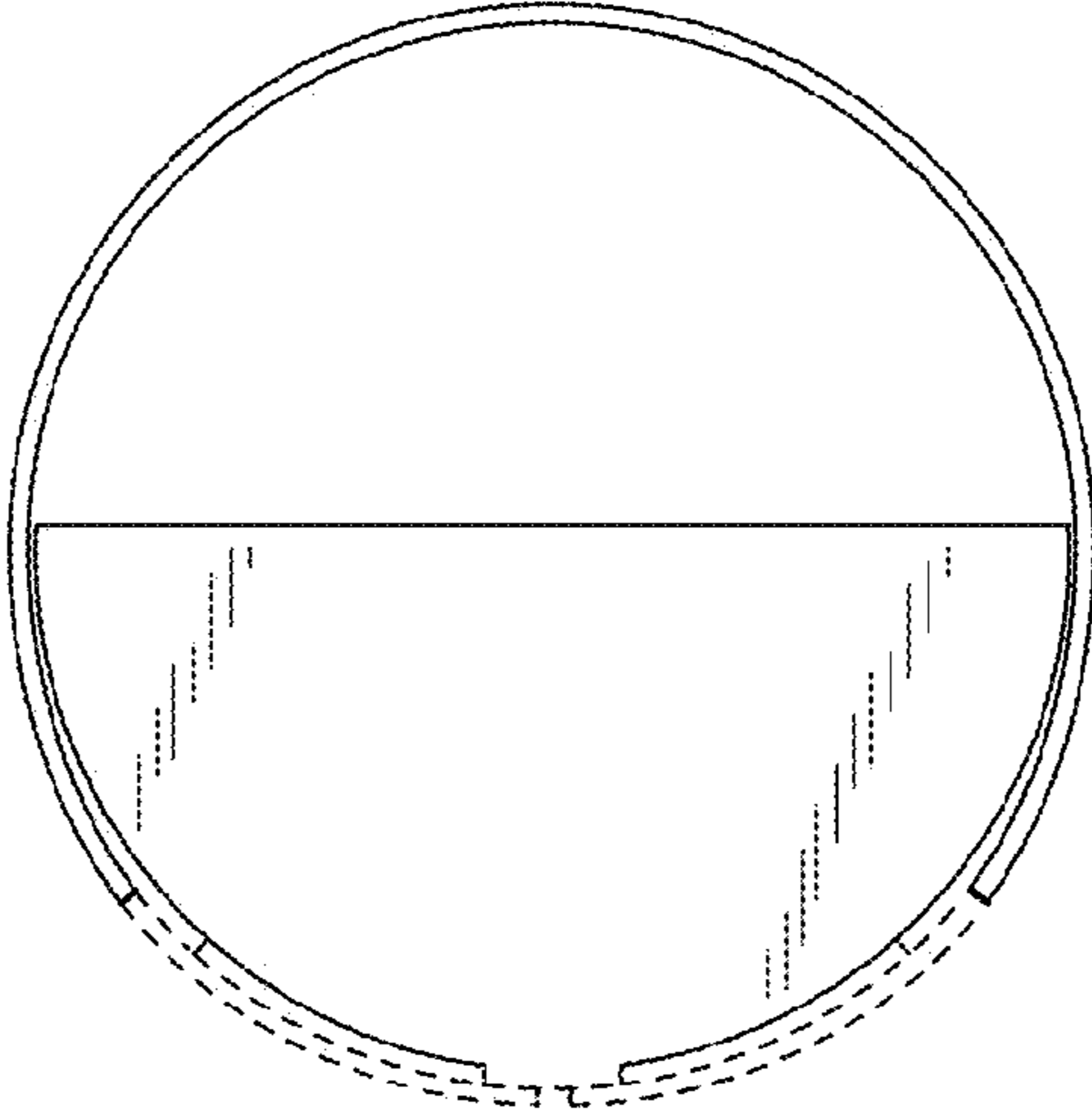


FIG. 6

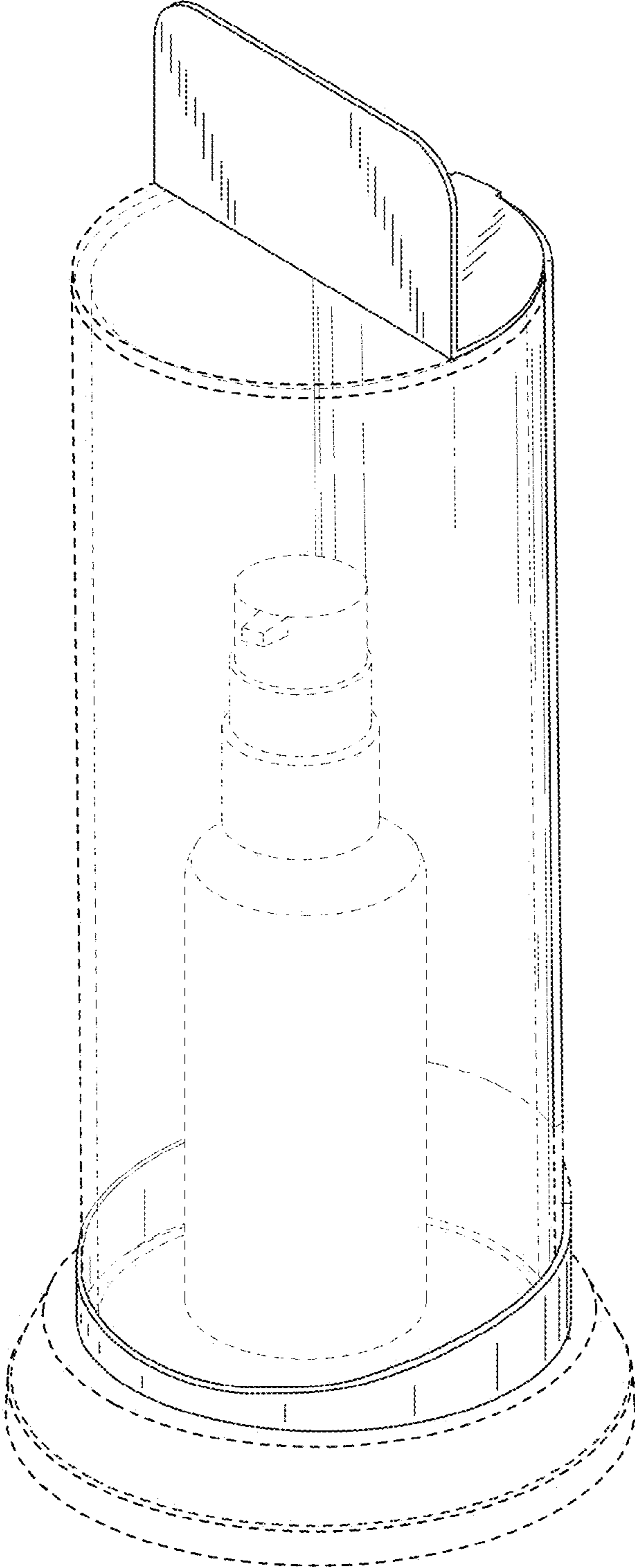


FIG. 7

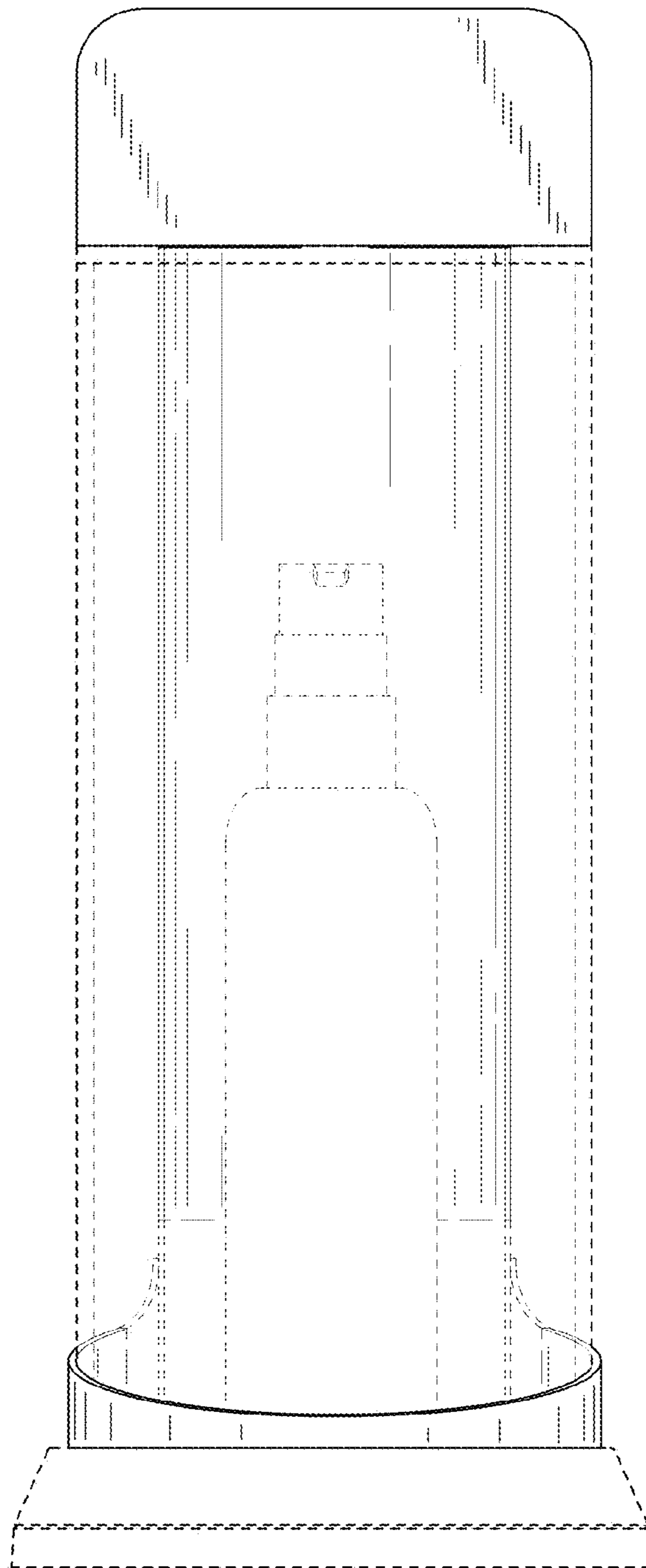


FIG. 8

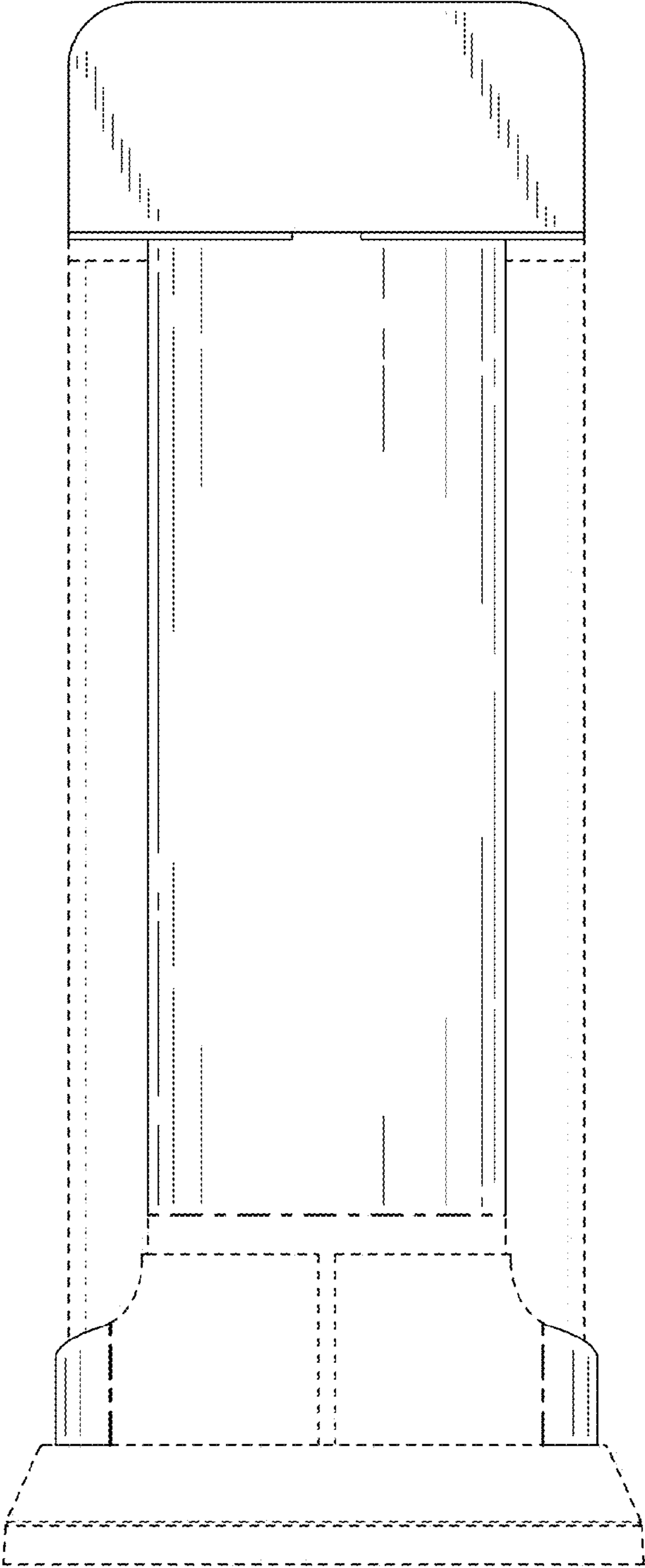


FIG. 9

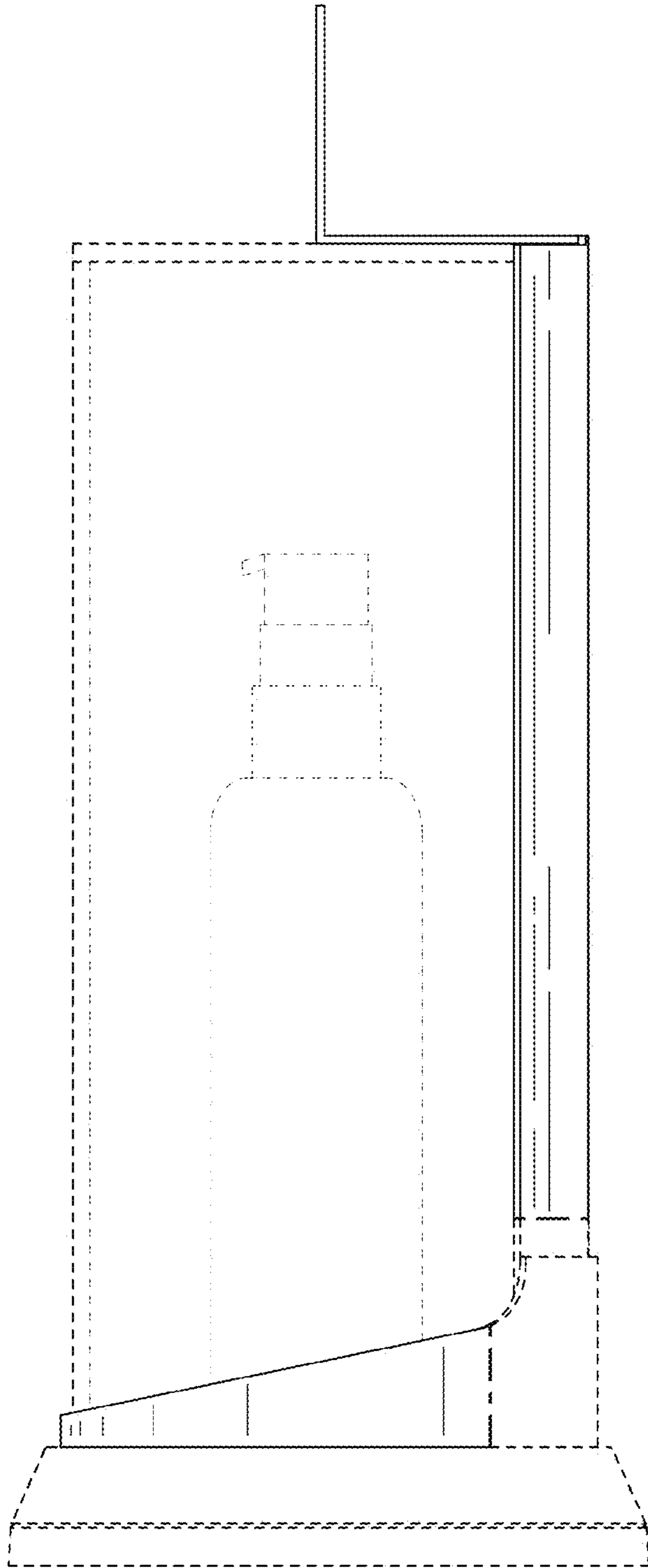


FIG. 10

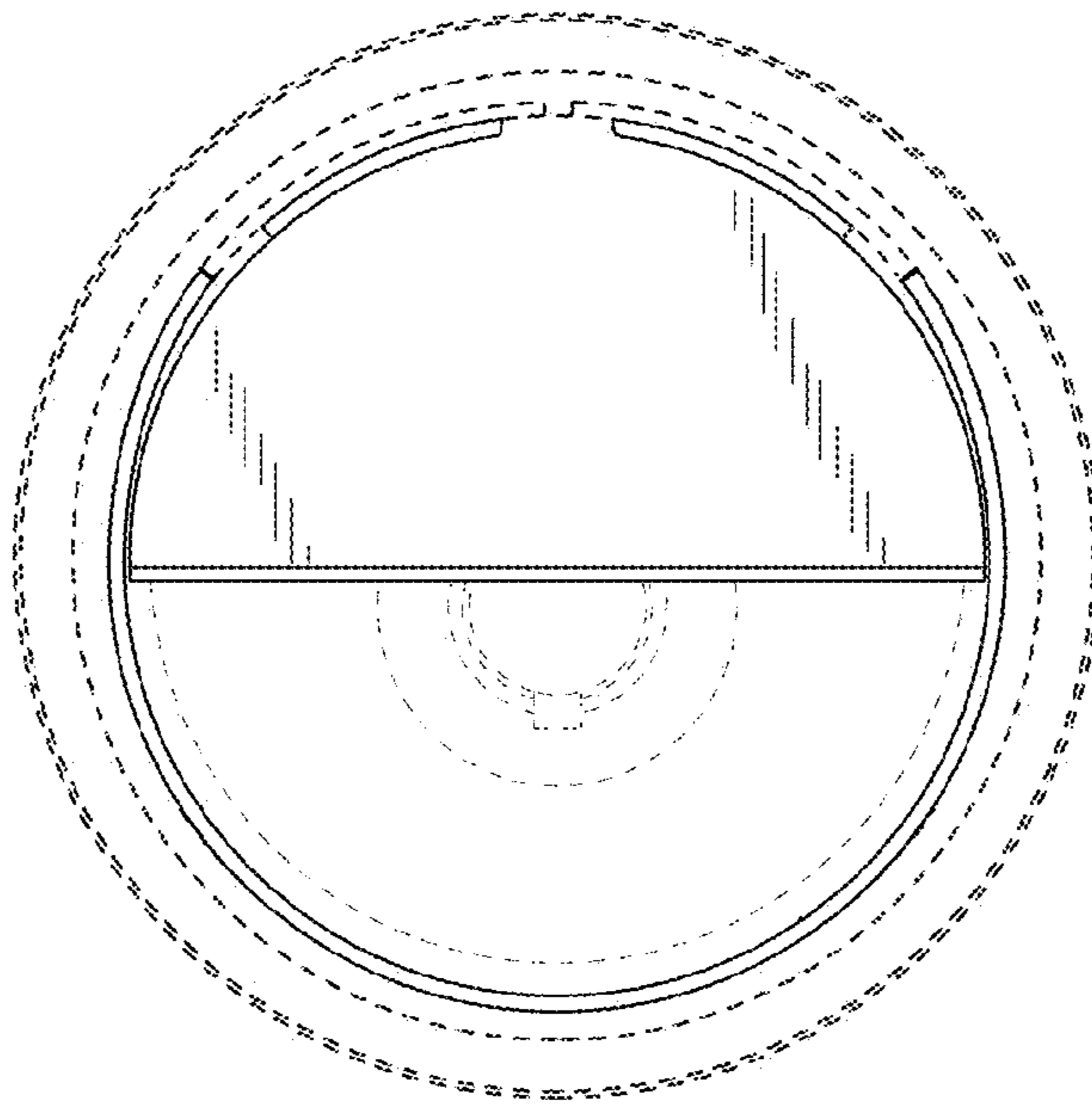


FIG. 11

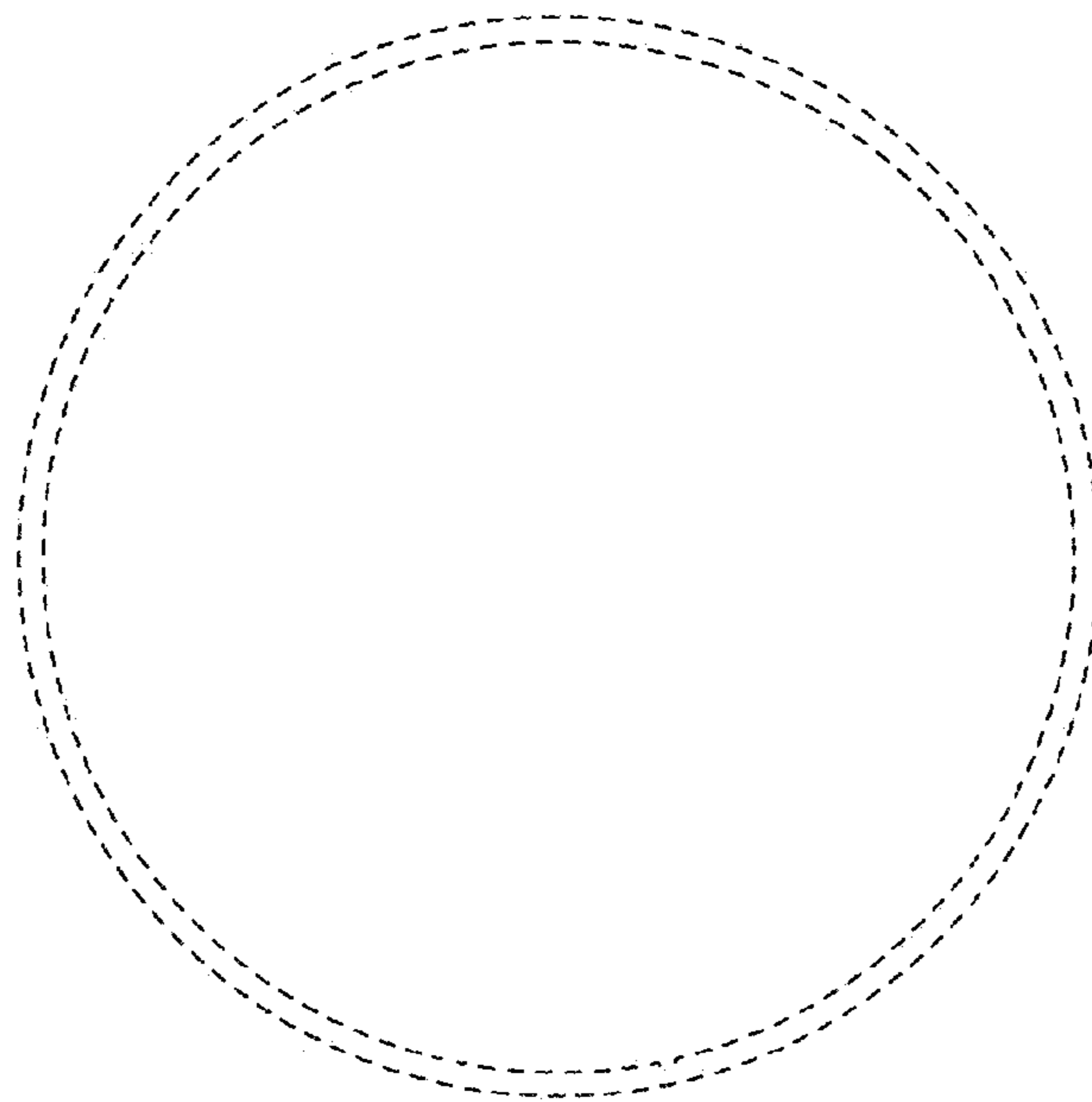


FIG. 12