



US00D709131S

(12) **United States Design Patent**
Dolan et al.

(10) **Patent No.:** **US D709,131 S**
(45) **Date of Patent:** **** Jul. 15, 2014**

(54) **NOTE PAD HOLDER**

(71) Applicants: **Evemote Corporation**, Redwood City, CA (US); **3M Innovative Properties Company**, St. Paul, MN (US)

(72) Inventors: **Michael Dolan**, San Francisco, CA (US); **Monina Dolan**, San Francisco, CA (US); **Phil Libin**, Redwood City, CA (US); **James E. Nash**, Bloomington, MN (US); **Alex Pachikov**, San Carlos, CA (US); **Jeff Zwerner**, San Francisco, CA (US)

(73) Assignees: **Evernote Corporation**, Redwood City, CA (US); **3M Innovative Properties Company**, Saint Paul, MN (US)

(**) Term: **14 Years**

(21) Appl. No.: **29/468,155**

(22) Filed: **Sep. 26, 2013**

(51) **LOC (10) Cl.** **19-02**

(52) **U.S. Cl.**
USPC **D19/92**

(58) **Field of Classification Search**
USPC D6/512, 513, 518, 675, 675.1, 675.2, D6/682.2, 683, 683.1, 700, 704, 705, 706; D9/734, 737; D19/65, 75, 77, 78, D19/86-92; 206/39.5, 215, 494, 555; 211/45, 50, 126.1, 126.13, 126.16; 221/45, 46, 56; D7/553.2; 220/500

See application file for complete search history.

(56) **References Cited**

U.S. PATENT DOCUMENTS

230,298 A * 7/1880 Lovell 206/425
D101,710 S * 10/1936 Patterson D19/75

D142,635 S *	10/1945	Fisher	D19/22
D158,812 S *	5/1950	Solomon	D28/75
D159,884 S *	8/1950	Baldanza	D9/424
D163,463 S *	5/1951	Lewis	D19/92
D199,044 S *	9/1964	Jackson	D19/92
D202,394 S *	9/1965	Berliner	D19/78
3,232,397 A *	2/1966	McCoy	190/110
D267,959 S *	2/1983	Cheung	D19/78
D272,917 S *	3/1984	Micucci	D19/78
D294,836 S *	3/1988	Micucci	D19/78
D297,549 S *	9/1988	Lothe	D19/92
D298,438 S *	11/1988	Lothe	D19/20
D303,398 S *	9/1989	Lowinger	D19/78
D306,319 S *	2/1990	Evenson	D19/77
D317,179 S *	5/1991	Kheng	D19/78
D328,099 S *	7/1992	Williams	D19/75

(Continued)

Primary Examiner — Elizabeth Albert

(74) *Attorney, Agent, or Firm* — Dicke, Billing & Czaja, PLLC

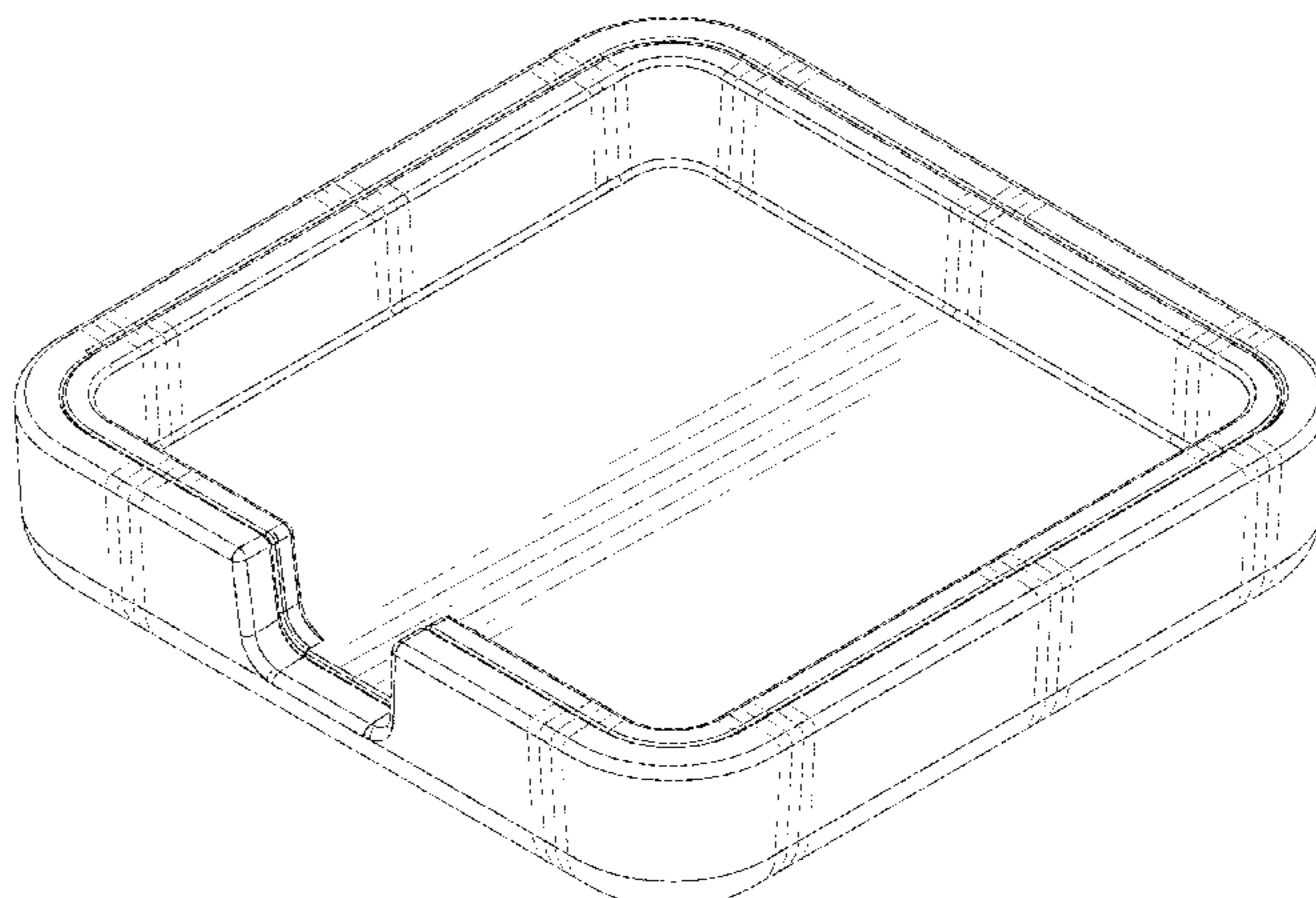
(57) **CLAIM**

The ornamental design for a note pad holder, as shown and described.

DESCRIPTION

FIG. 1 is a top perspective view of a note pad holder in accordance with the present disclosure; FIG. 2 is a top plan view of the note pad holder of FIG. 1; FIG. 3 is a bottom plan view of the note pad holder of FIG. 1; FIG. 4 is a front plan view of the note pad holder of FIG. 1; FIG. 5 is a rear plan view of the note pad holder of FIG. 1; FIG. 6 is a left side view of the note pad holder of FIG. 1; and, FIG. 7 is a right side view of the note pad holder of FIG. 1. The broken lines on the feet in FIG. 3 are included for the purpose of showing features on the note pad holder that form no part of the claimed design.

1 Claim, 5 Drawing Sheets



US D709,131 S

Page 2

(56)

References Cited

U.S. PATENT DOCUMENTS

5,915,548 A * 6/1999 Sasaki 206/307.1
D501,033 S * 1/2005 Jour D19/78
D542,841 S * 5/2007 King et al. D19/22

D566,192 S * 4/2008 Bhavnani D19/92
D567,864 S * 4/2008 Bhavnani D19/92
D640,746 S * 6/2011 Jour D19/92
D681,333 S * 5/2013 Crapser et al. D3/304
D688,748 S * 8/2013 Nash et al. D19/86

* cited by examiner

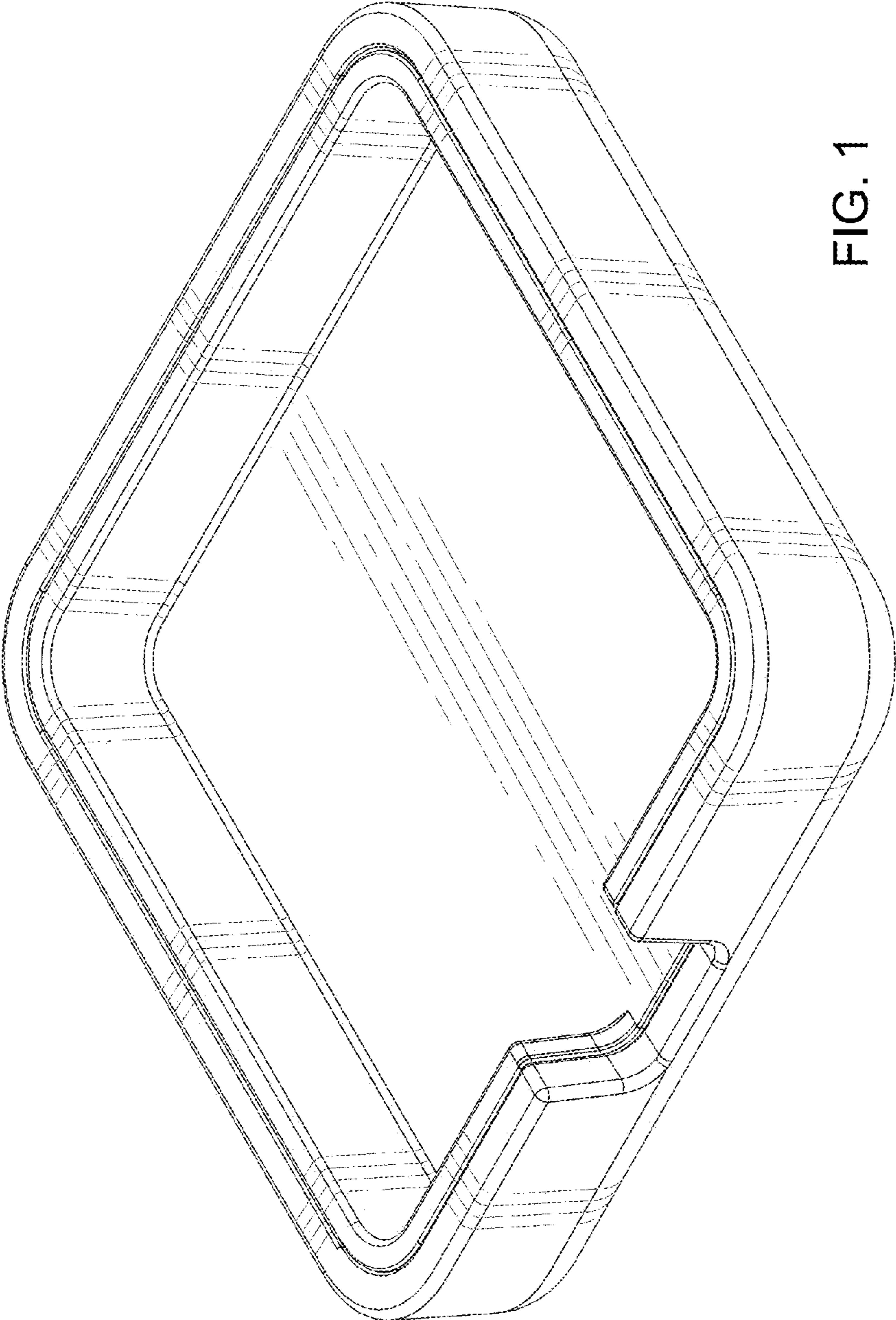


FIG. 1

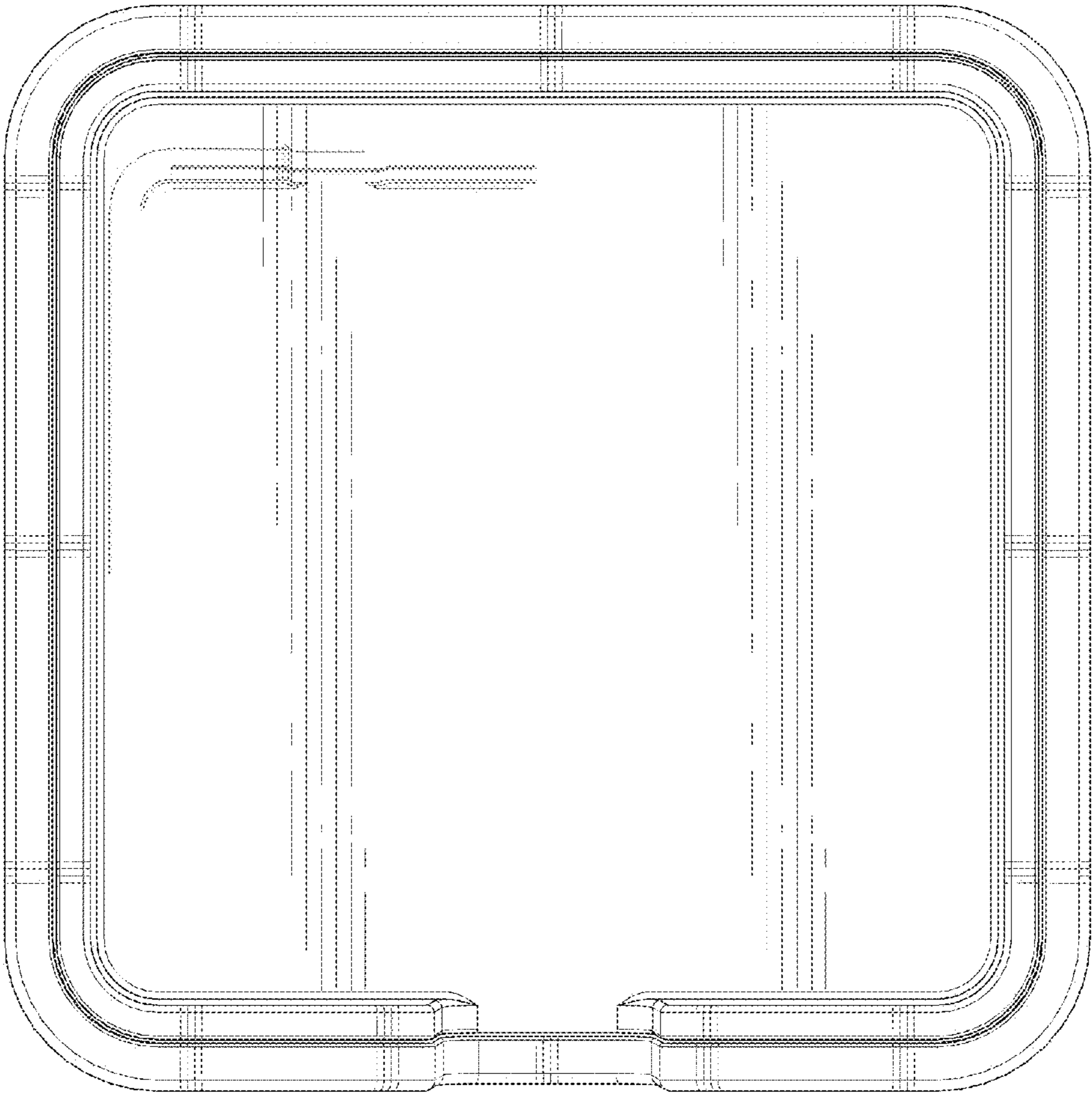


FIG. 2

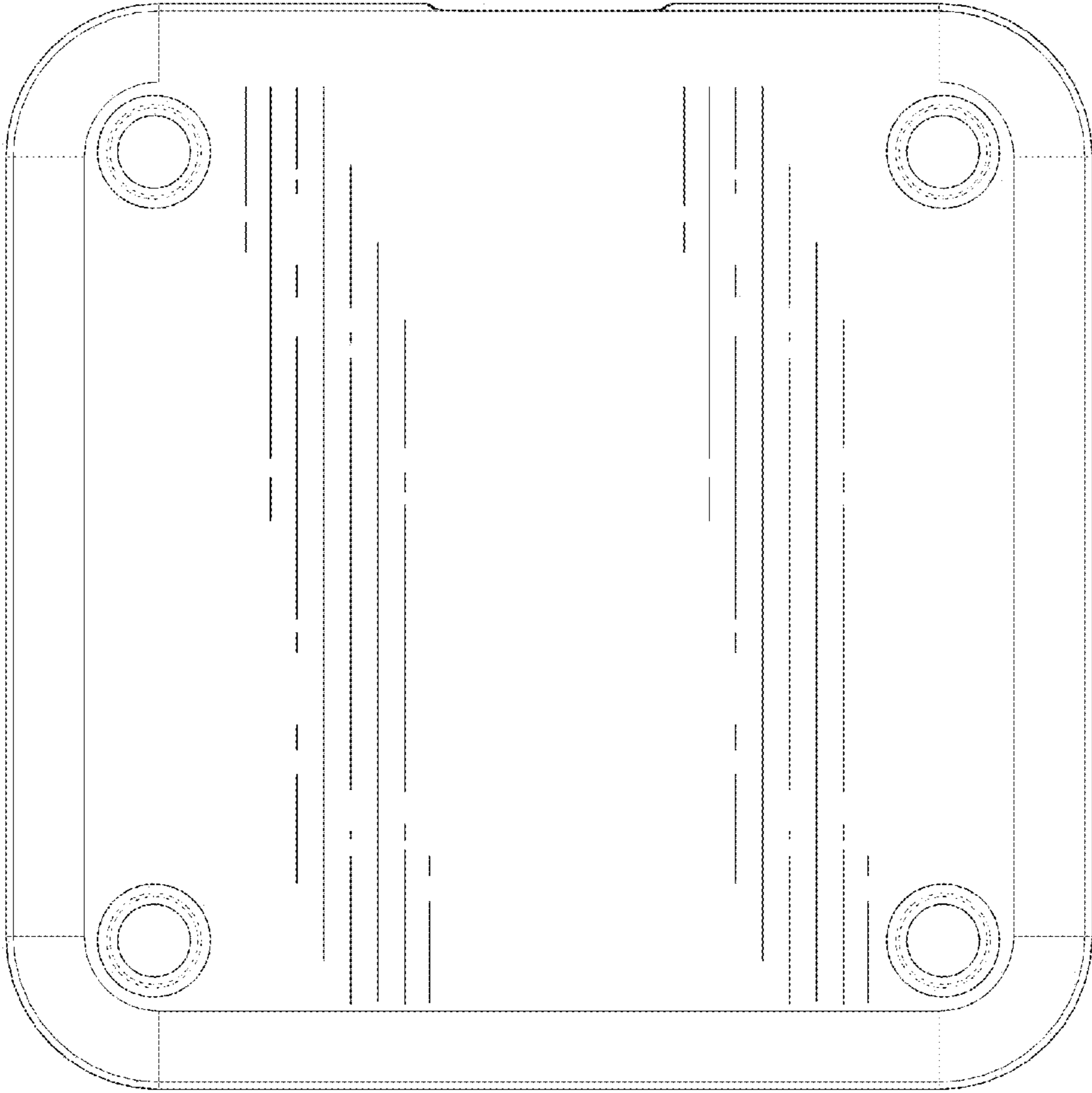


FIG. 3

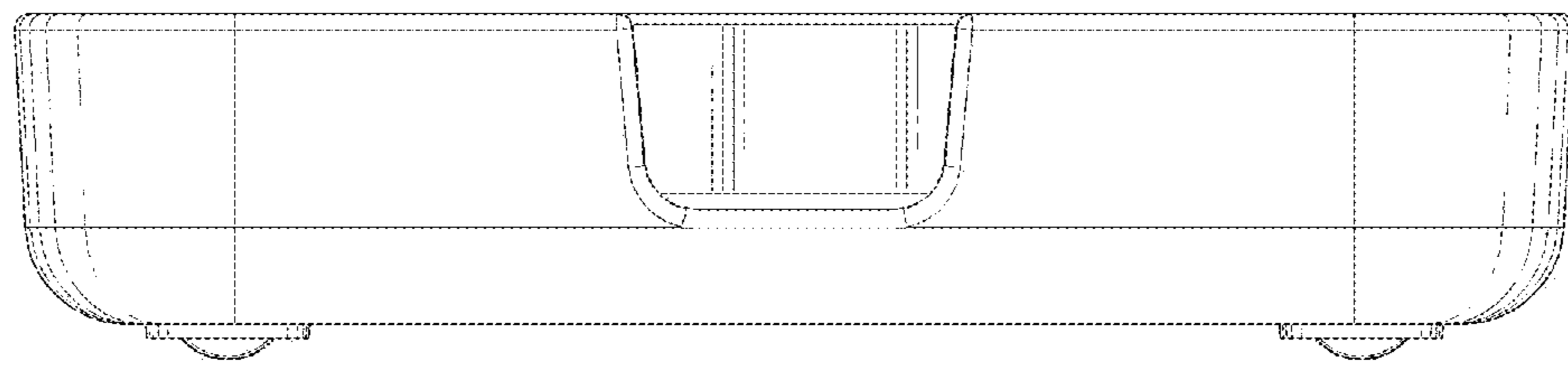


FIG. 4



FIG. 5

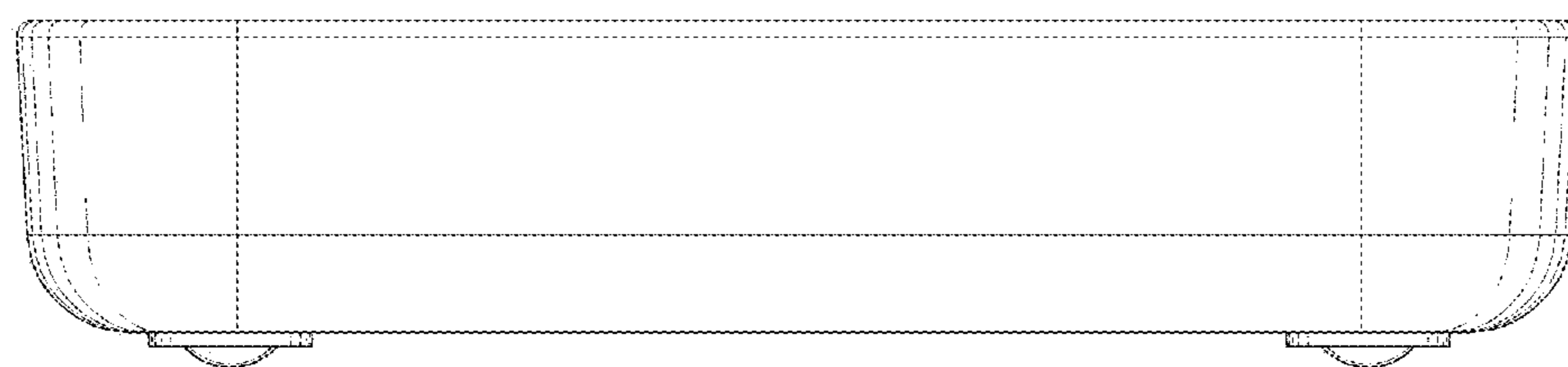


FIG. 6

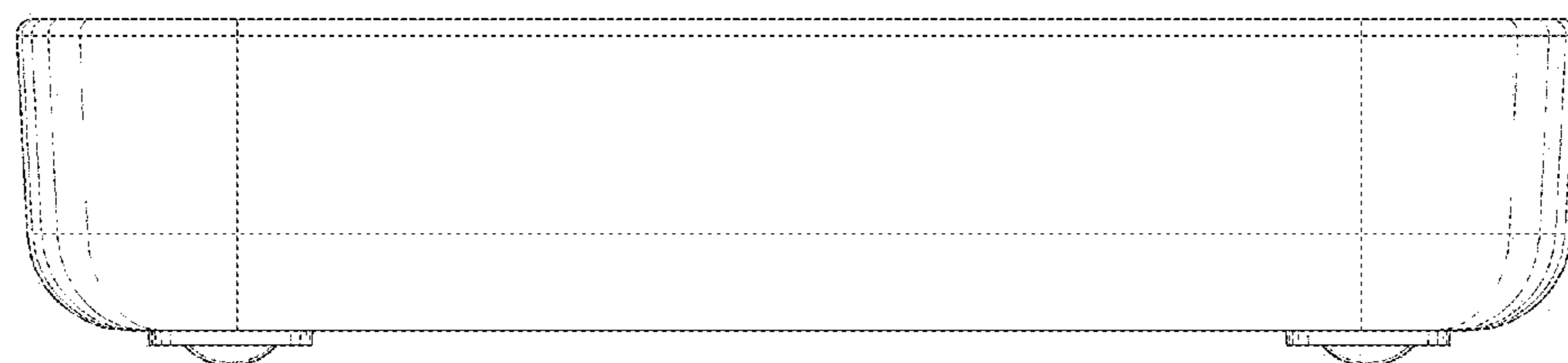


FIG. 7

UNITED STATES PATENT AND TRADEMARK OFFICE
CERTIFICATE OF CORRECTION

PATENT NO. : D709,131 S
APPLICATION NO. : 29/468155
DATED : July 15, 2014
INVENTOR(S) : Michael Dolan et al.

Page 1 of 1

It is certified that error appears in the above-identified patent and that said Letters Patent is hereby corrected as shown below:

On the Title Page, Item (71), Applicants: "Evemote Corporation" should read --Evernote Corporation--.

Signed and Sealed this
Seventh Day of October, 2014



Michelle K. Lee
Deputy Director of the United States Patent and Trademark Office