



US00D709130S

(12) **United States Design Patent**
Dolan et al.

(10) **Patent No.:** **US D709,130 S**
(45) **Date of Patent:** **** Jul. 15, 2014**

(54) **NOTE PAD HOLDER**
(71) Applicants: **Evernote Corporation**, Redwood City, CA (US); **3M Innovative Properties Company**, St. Paul, MN (US)
(72) Inventors: **Michael Dolan**, San Francisco, CA (US); **Monina Dolan**, San Francisco, CA (US); **Phil Libin**, Redwood City, CA (US); **James E. Nash**, Bloomington, MN (US); **Alex Pachikov**, San Carlos, CA (US); **Jeff Zwerner**, San Francisco, CA (US)

2,242,296 A * 5/1941 Fraser 211/51
D158,812 S * 5/1950 Solomon D28/75
D163,463 S * 5/1951 Lewis D19/92
D164,862 S * 10/1951 Johnson D21/392
2,765,971 A * 10/1956 Golob 229/120.32
D253,628 S * 12/1979 Adamson D7/553.2
D292,768 S * 11/1987 Kearney D7/553.5
D325,048 S * 3/1992 Penner D19/86
D356,334 S * 3/1995 Kroop et al. D19/36
D369,239 S * 4/1996 Deutch D3/247
D399,095 S * 10/1998 Schmidt D7/553.2
D426,110 S * 6/2000 Schmidt D7/553.4
D492,195 S * 6/2004 Shabaz D9/737
D566,192 S * 4/2008 Bhavnani D19/92
D567,864 S * 4/2008 Bhavnani D19/92
D621,651 S * 8/2010 Bryce et al. D7/354
D622,407 S * 8/2010 Brown et al. D24/229
D648,548 S * 11/2011 Winer et al. D6/300

(73) Assignees: **Evernote Corporation**, Redwood City, CA (US); **3M Innovative Properties Company**, Saint Paul, MN (US)

* cited by examiner

(**) Term: **14 Years**

Primary Examiner — Elizabeth Albert

(21) Appl. No.: **29/468,160**

(74) *Attorney, Agent, or Firm* — Dicke, Billig & Czaja, PLLC

(22) Filed: **Sep. 26, 2013**

(57) **CLAIM**

(51) **LOC (10) Cl.** **19-02**

The ornamental design for a note pad holder, as shown and described.

(52) **U.S. Cl.**
USPC **D19/86**

DESCRIPTION

(58) **Field of Classification Search**
USPC D6/512, 513, 518, 675, 675.1, 675.2, D6/682.2, 683, 683.1, 700, 704, 705, 706; D9/734, 737; D19/65, 75, 77, 78, D19/86-92; 206/39.5, 215, 494, 555; 211/45, 50, 126.1, 126.13, 126.16; 221/45, 46, 56; D7/553.2; 220/500

FIG. 1 is a top perspective view of a note pad holder in accordance with the present disclosure; FIG. 2 is a top plan view of FIG. 1; FIG. 3 is a bottom plan view of FIG. 1; FIG. 4 is a front elevation view of FIG. 1; FIG. 5 is a rear elevation view of FIG. 1; FIG. 6 is a left side elevation view of FIG. 1; and, FIG. 7 is a right side elevation view of FIG. 1. The broken lines on the feet in FIG. 3 are included for the purpose of showing features on the note pad holder that form no part of the claimed design.

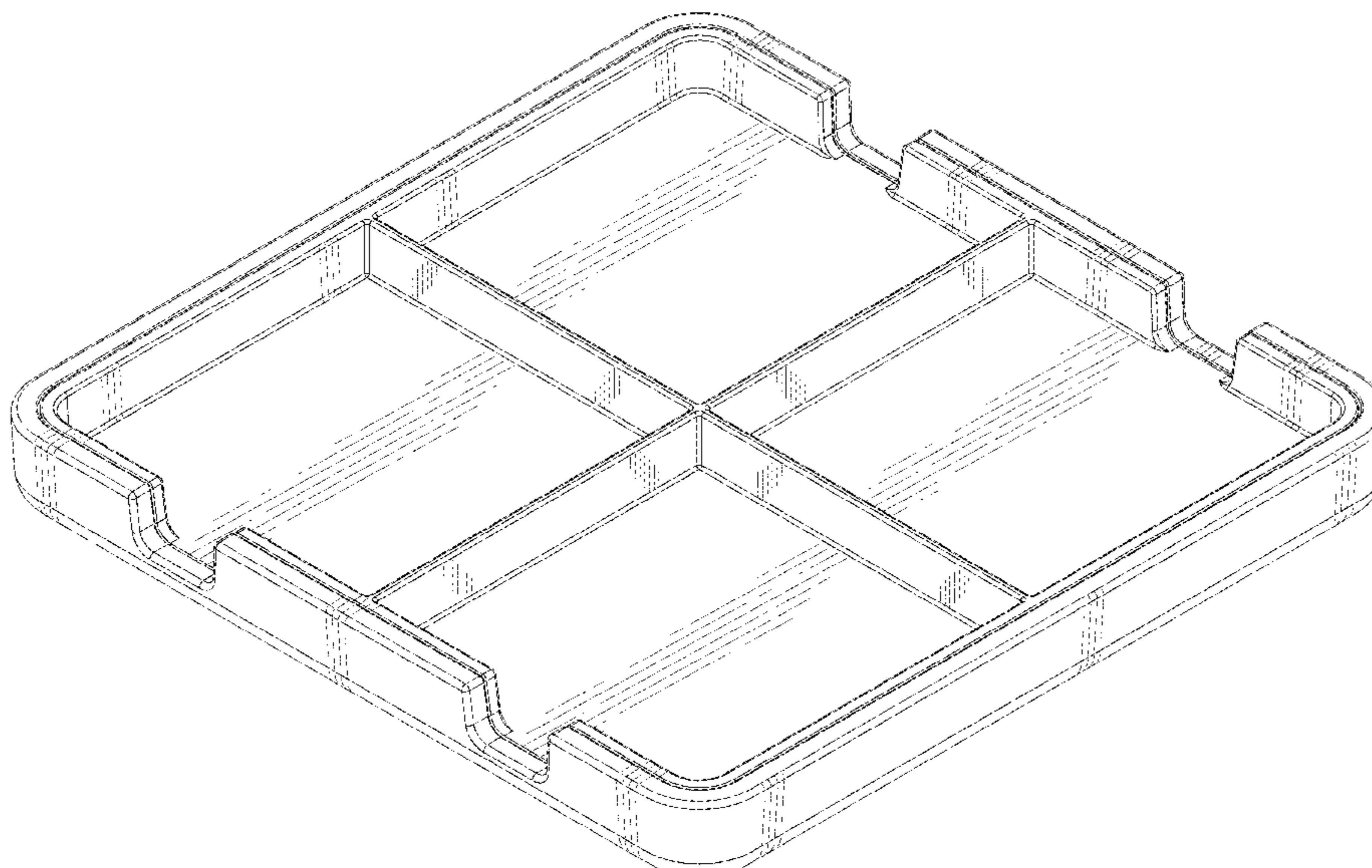
See application file for complete search history.

(56) **References Cited**

U.S. PATENT DOCUMENTS

D31,853 S * 11/1899 Coles D19/22
925,349 A * 6/1909 Kraetsch 229/120.02

1 Claim, 5 Drawing Sheets



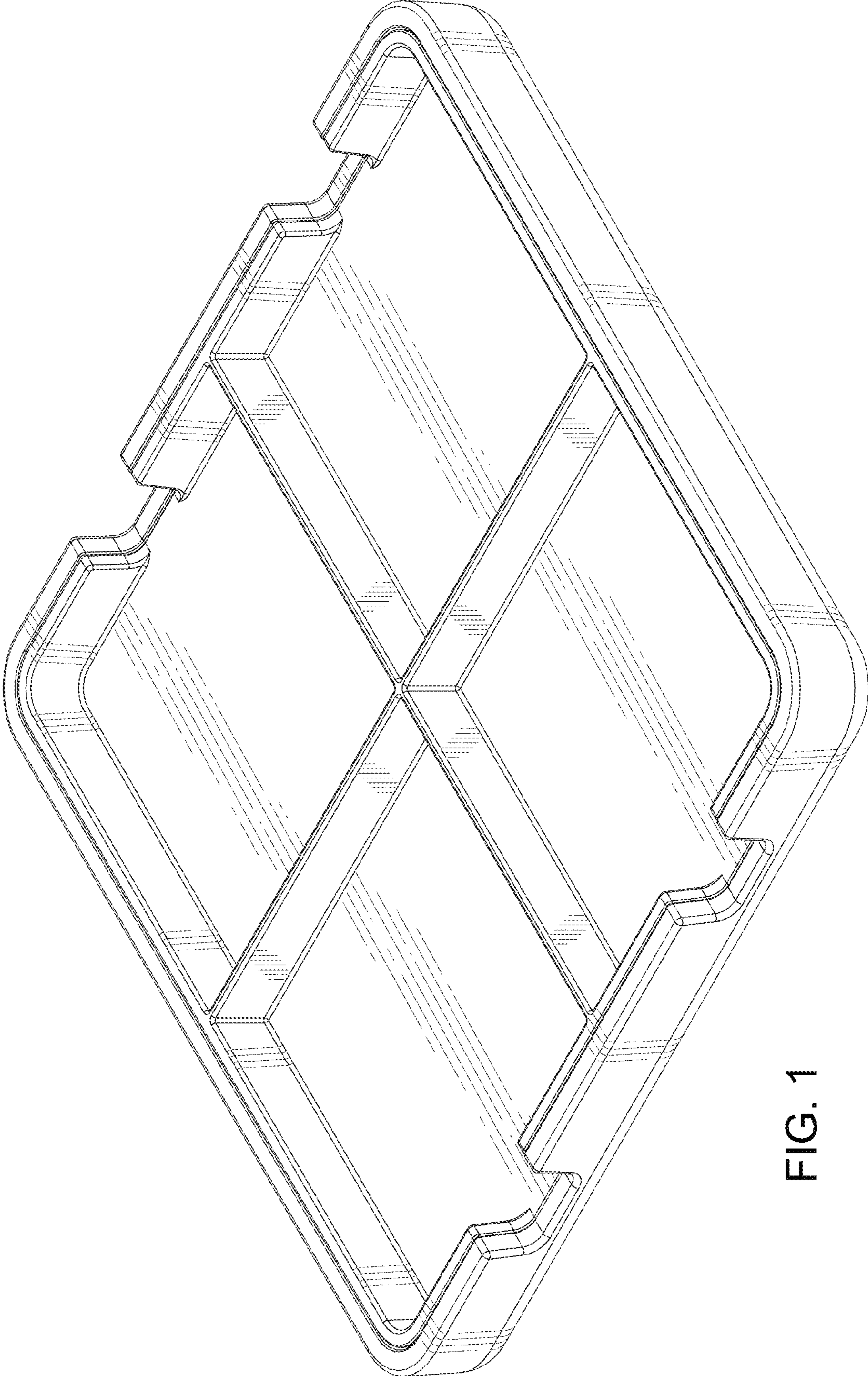


FIG. 1

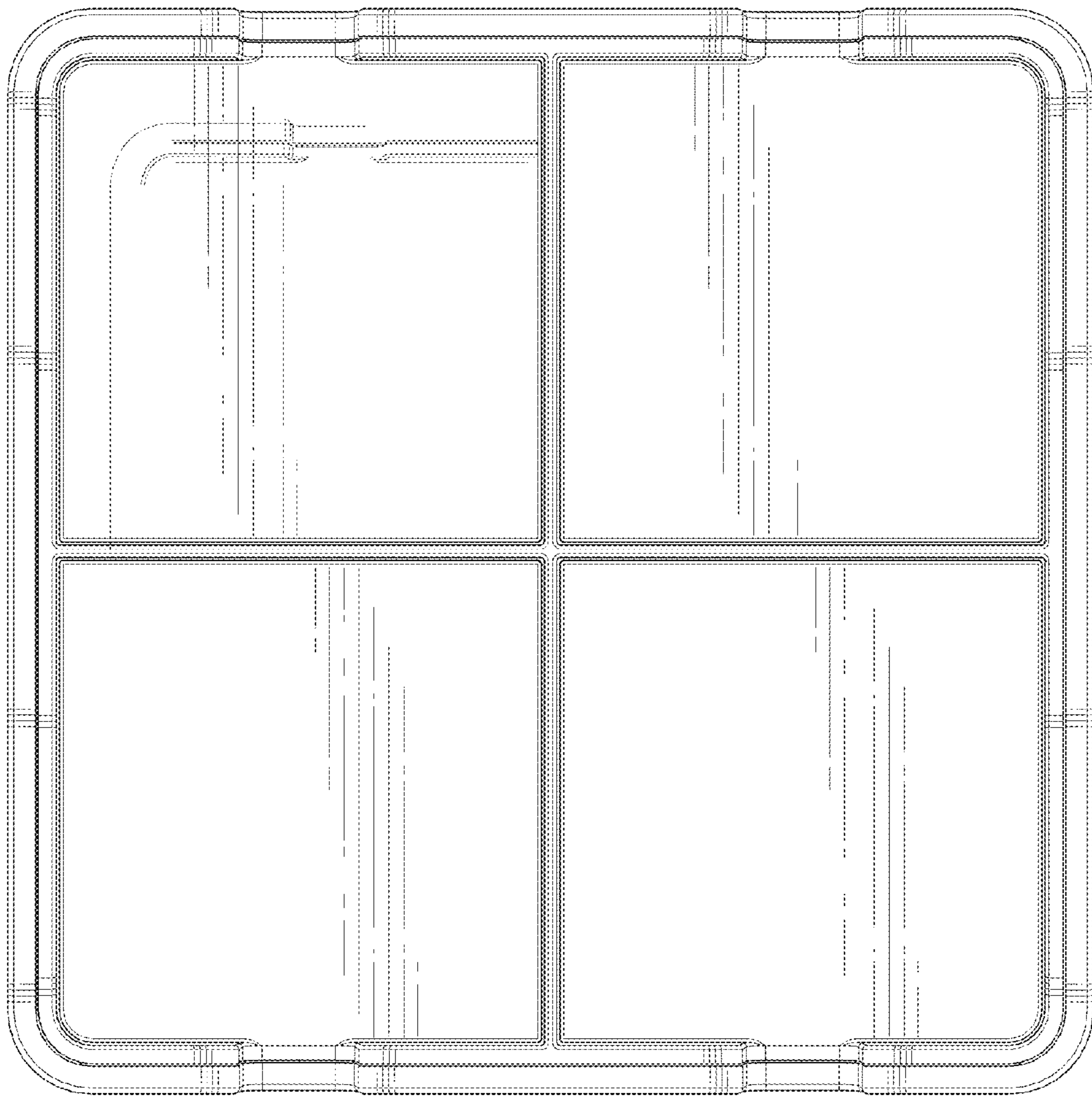


FIG. 2

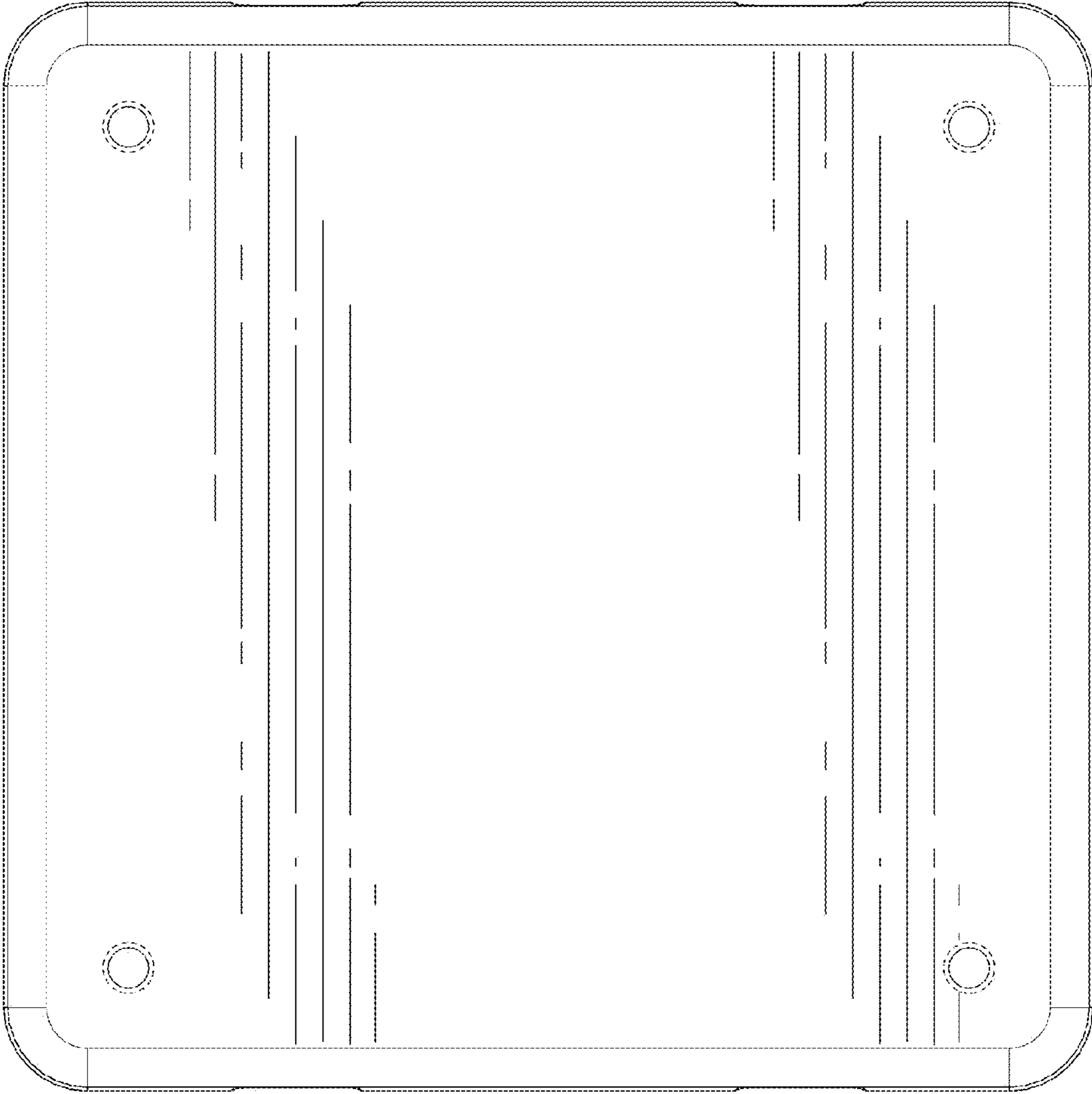


FIG. 3

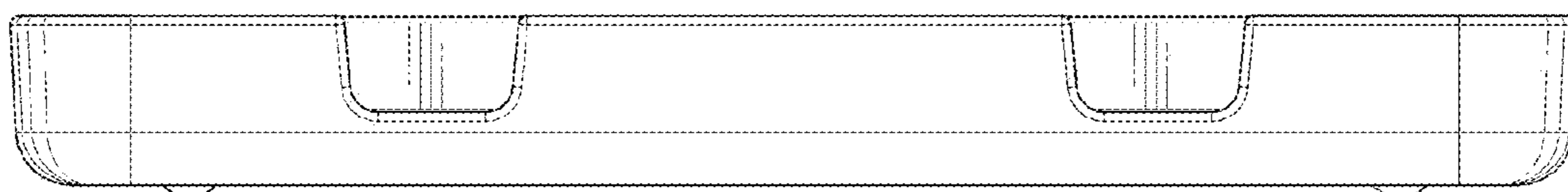


FIG. 4

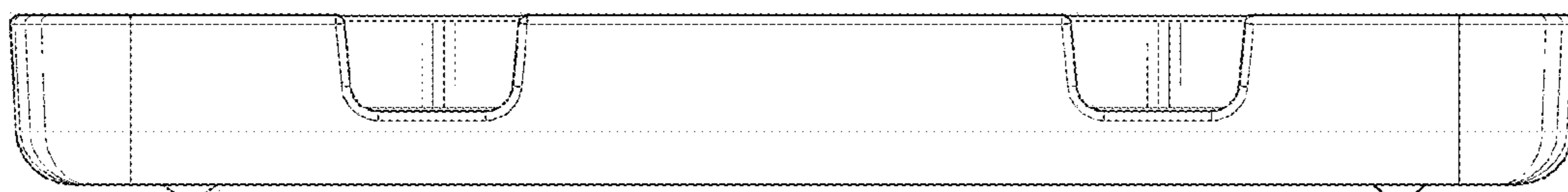


FIG. 5

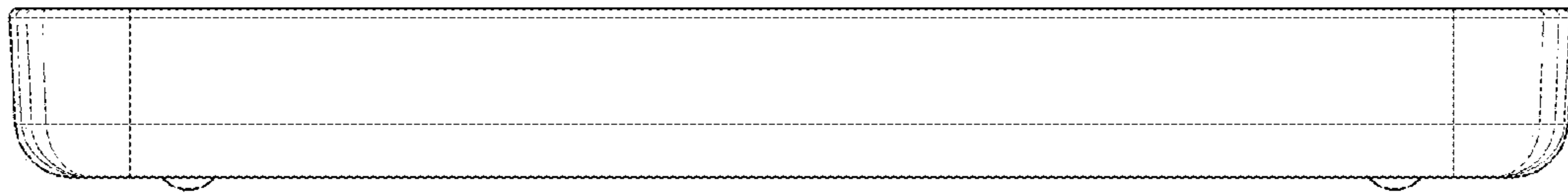


FIG. 6

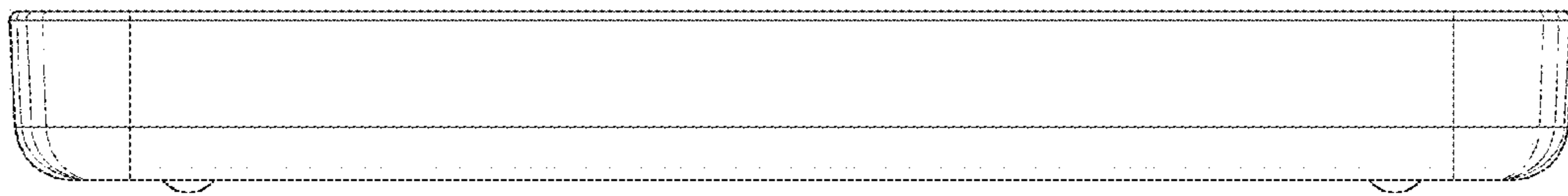


FIG. 7