



US00D709127S

(12) **United States Design Patent**  
**Boyd**

(10) **Patent No.:** **US D709,127 S**  
(45) **Date of Patent:** **\*\* Jul. 15, 2014**

(54) **INK CARTRIDGE**

(75) Inventor: **Patrick V Boyd**, Albany, OR (US)

(73) Assignee: **Hewlett-Packard Development Company, L.P.**, Houston, TX (US)

(\*\*) Term: **14 Years**

(21) Appl. No.: **29/425,818**

(22) Filed: **Jun. 27, 2012**

(51) **LOC (10) Cl.** ..... **18-02**

(52) **U.S. Cl.**  
USPC ..... **D18/56**

(58) **Field of Classification Search**  
USPC ..... D18/56; 347/86-87  
See application file for complete search history.

(56) **References Cited**

**U.S. PATENT DOCUMENTS**

D365,846 S *	1/1996	Nishimura	.....	D18/43
D490,846 S *	6/2004	Suzuki et al.	.....	D18/56
D492,962 S	7/2004	Suzuki et al.		
6,866,374 B2 *	3/2005	Taku	.....	347/86
D512,093 S *	11/2005	Namekawa	.....	D18/56
6,997,626 B2 *	2/2006	Silverbrook	.....	347/86
D525,652 S *	7/2006	Hegge	.....	D18/56
D536,374 S	2/2007	Shinada et al.		
D542,837 S	5/2007	Amano		
D569,420 S	5/2008	Hwang et al.		
D581,975 S *	12/2008	Park et al.	.....	D18/43
D598,049 S *	8/2009	Park	.....	D18/43
D613,331 S *	4/2010	Park et al.	.....	D18/56
7,748,834 B2	7/2010	Hamano		
D625,755 S *	10/2010	Park et al.	.....	D18/43

D626,589 S	11/2010	Domae		
D627,818 S	11/2010	Ishizawa et al.		
D636,437 S	4/2011	Urabe et al.		
D650,420 S	12/2011	Butler et al.		
D655,332 S *	3/2012	Fujii	.....	D18/43

**FOREIGN PATENT DOCUMENTS**

JP	D1426847	7/2011
TW	537717	3/2002

\* cited by examiner

*Primary Examiner* — Cathy A MacCormac

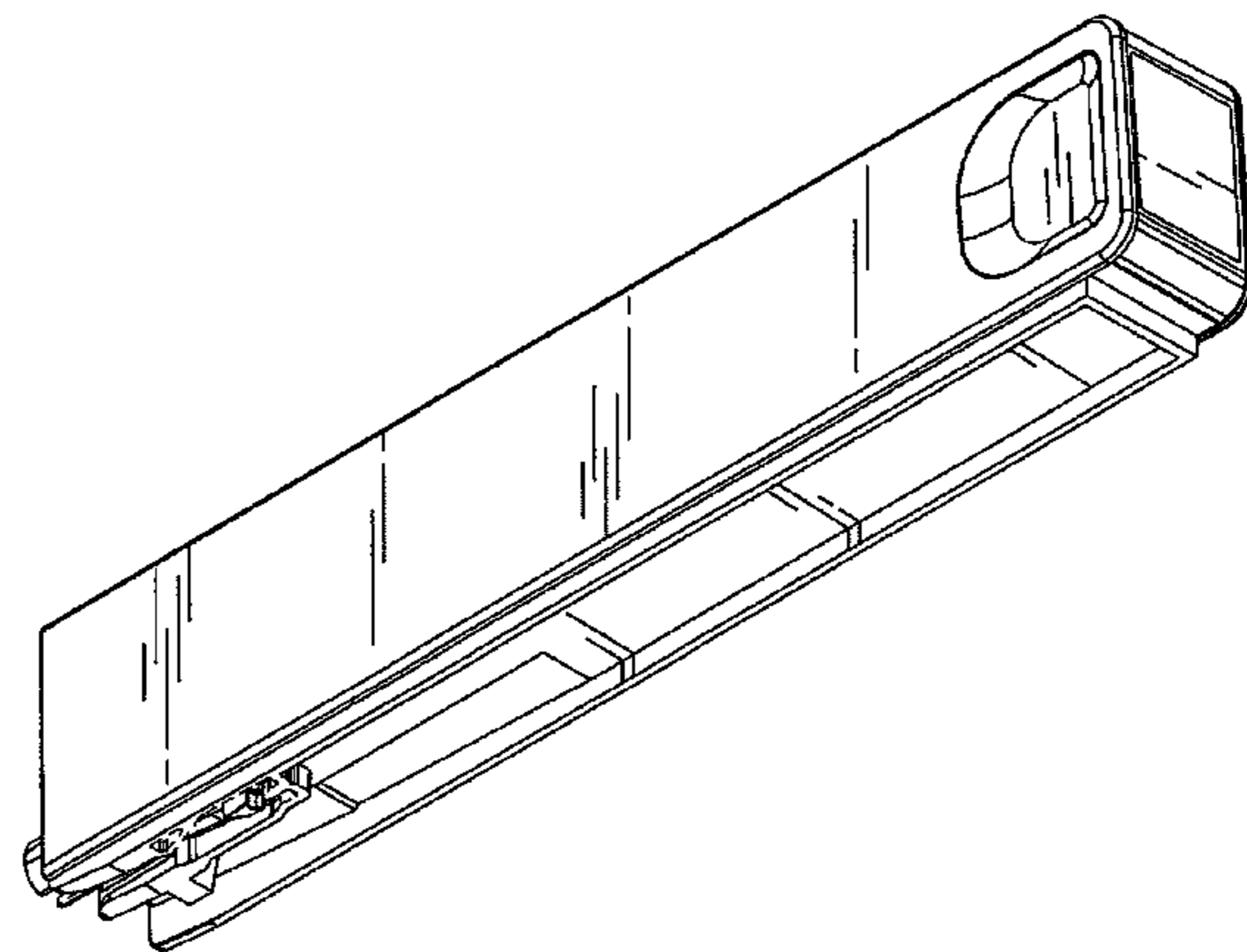
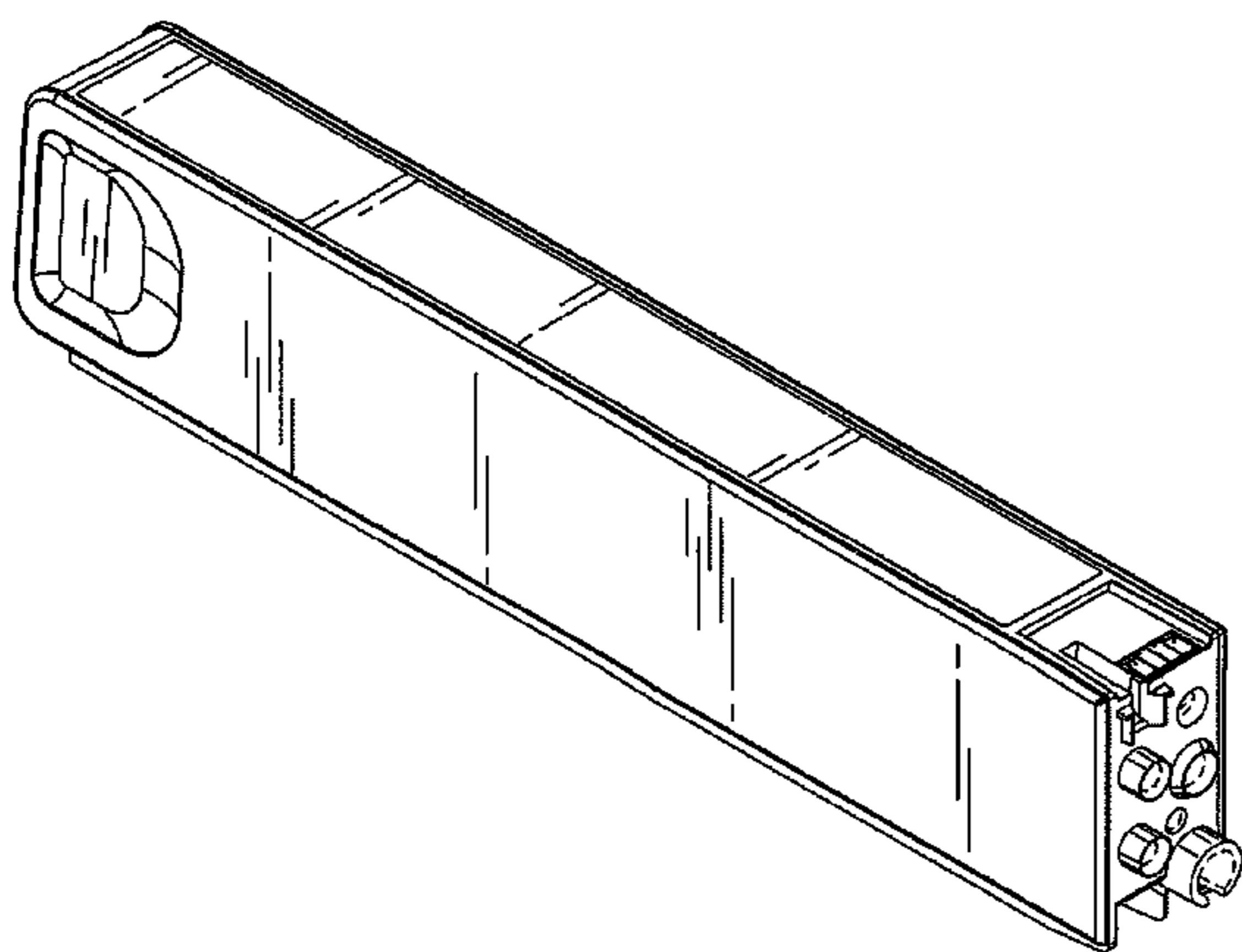
(57) **CLAIM**

The ornamental design for an ink cartridge, as shown and described herein.

**DESCRIPTION**

FIG. 1 is a front, top, and left side perspective view of an ink cartridge;  
 FIG. 2 is a rear, bottom, and right side perspective view thereof;  
 FIG. 3 is a top plan view thereof;  
 FIG. 4 is a bottom plan view thereof;  
 FIG. 5 is a left side elevation view thereof;  
 FIG. 6 is a right side elevation view thereof;  
 FIG. 7 is a front elevation view thereof; and,  
 FIG. 8 is a rear elevation view thereof.  
 Those portions of the Figures shown in broken lines are included for environmental purposes only and form no part of the claimed design.

**1 Claim, 5 Drawing Sheets**



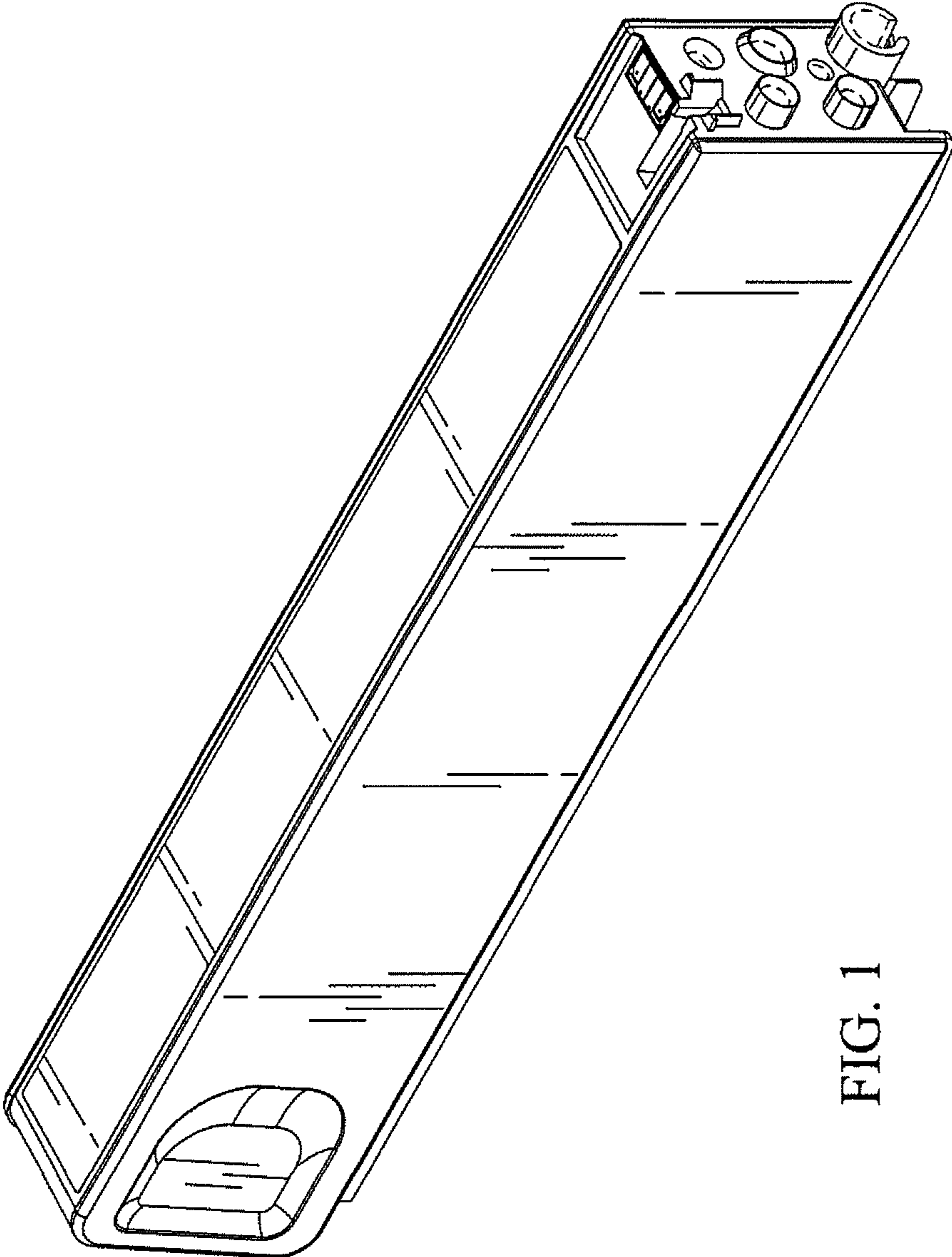


FIG. 1

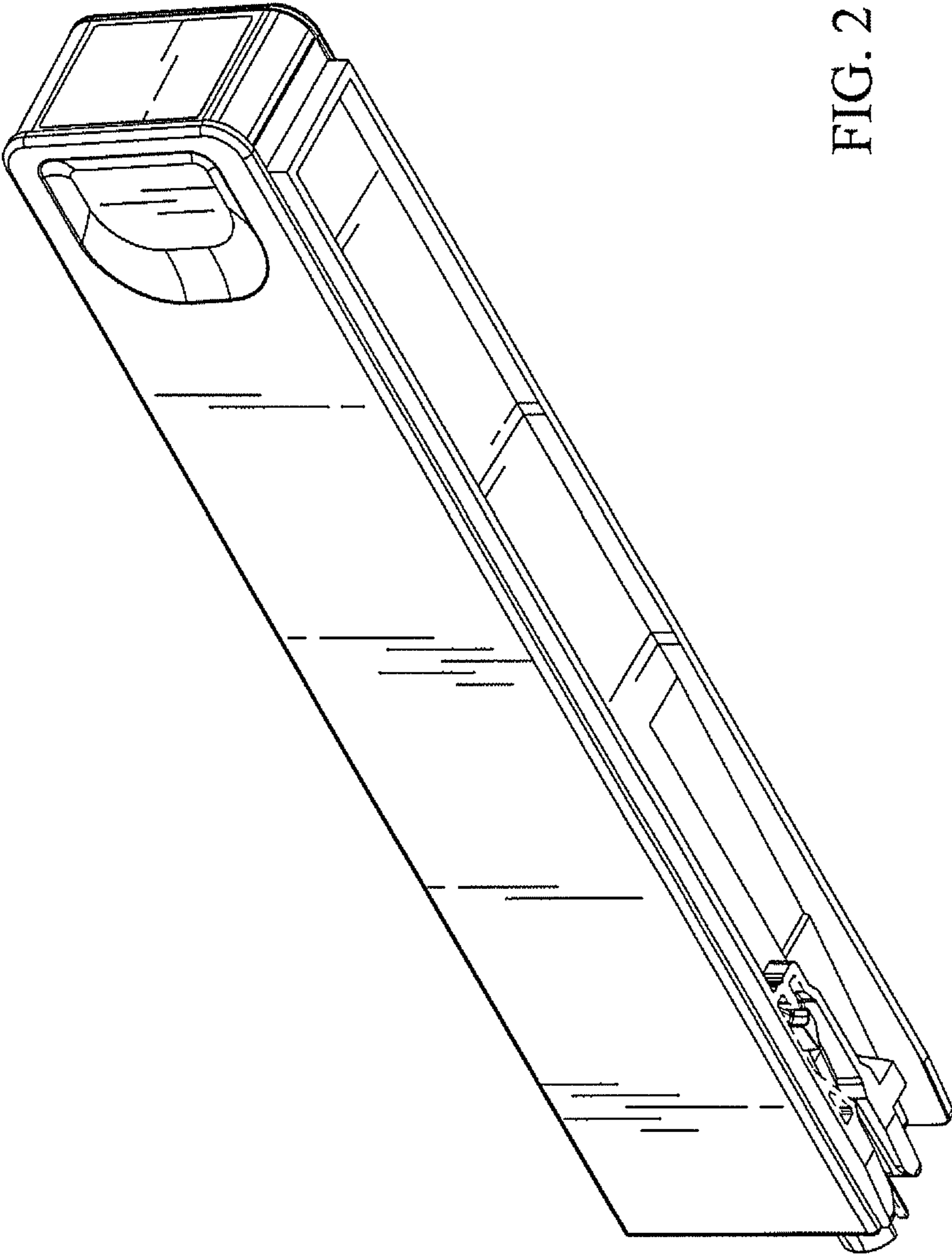


FIG. 2

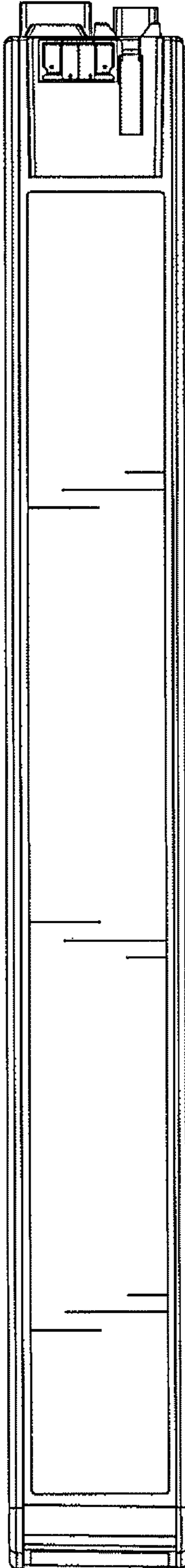


FIG. 3

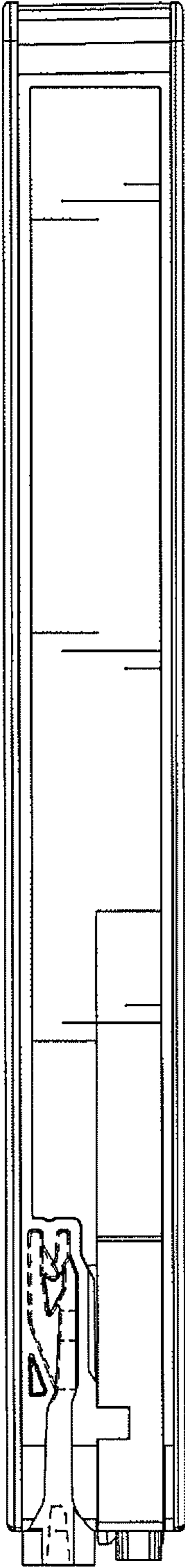


FIG. 4

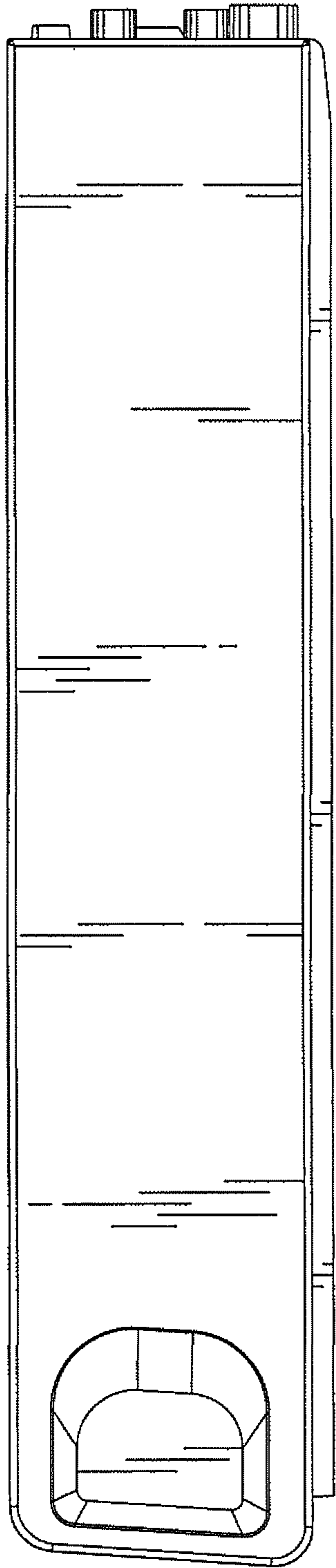


FIG. 5

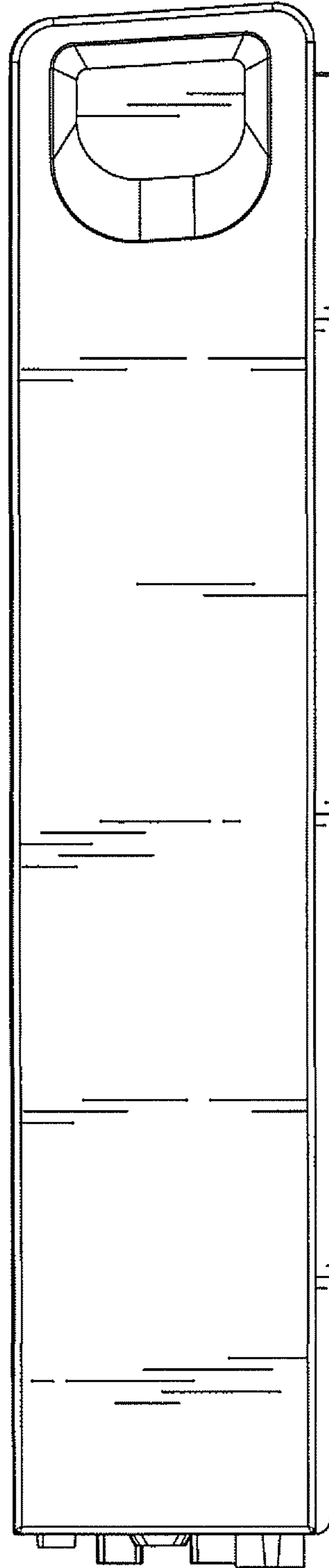


FIG. 6



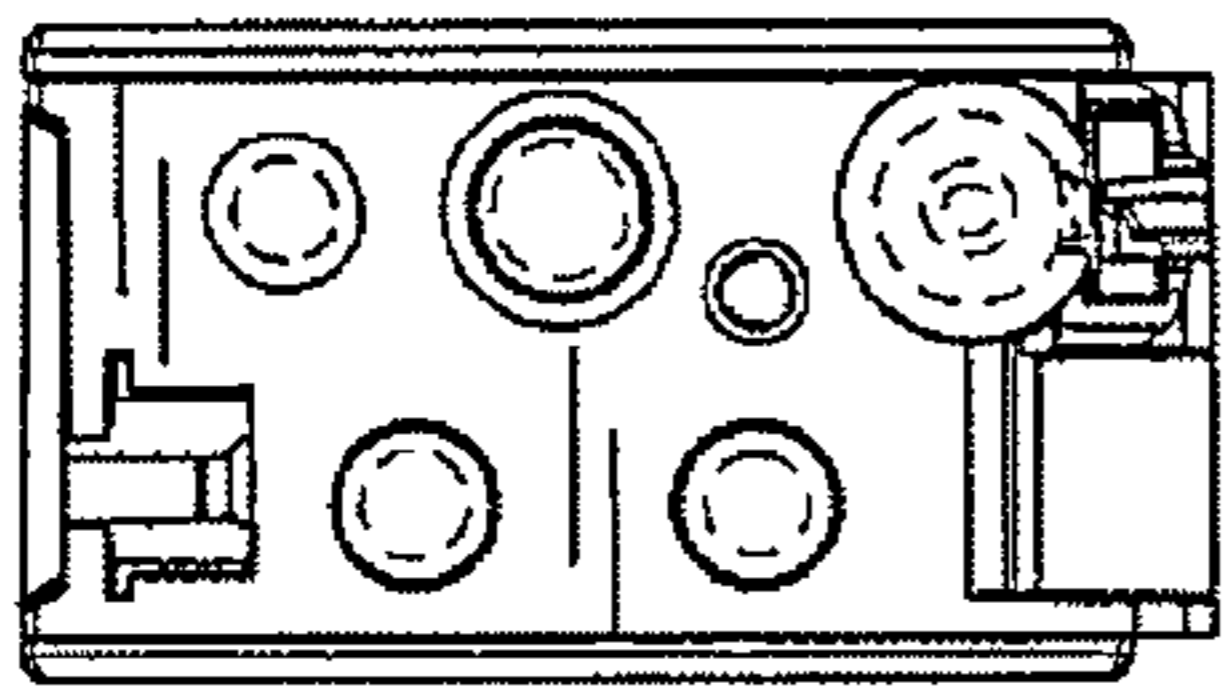


FIG. 7

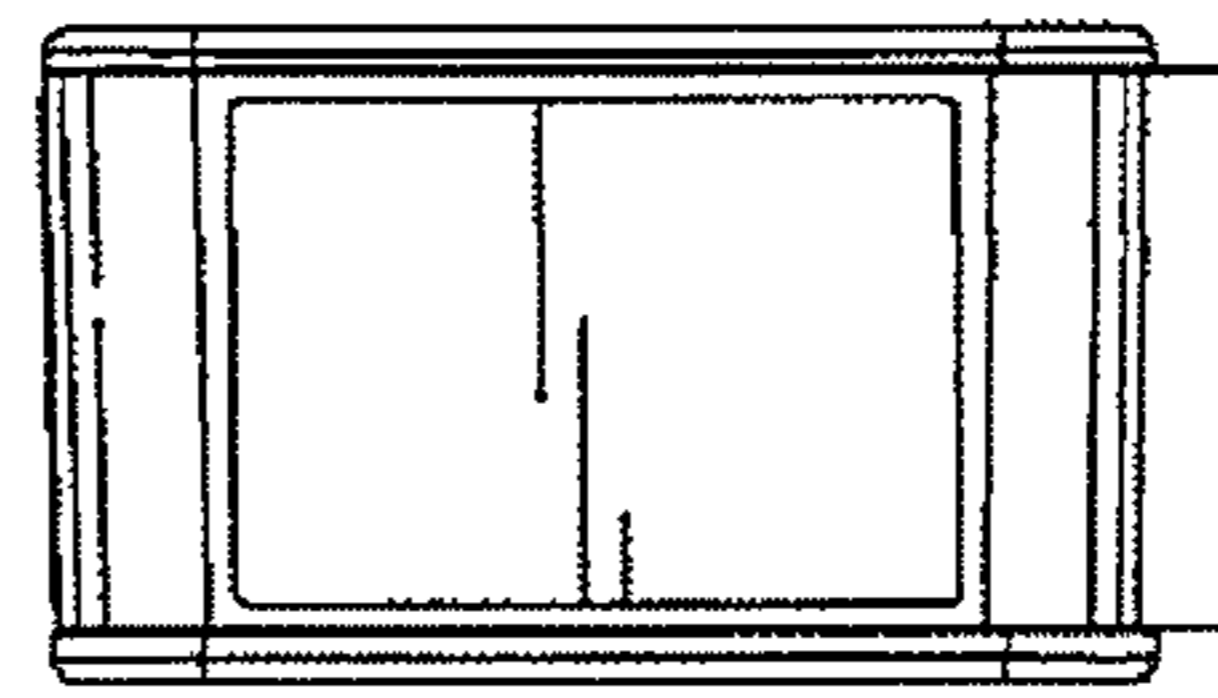


FIG. 8