



US00D709126S

(12) **United States Design Patent**  
**Boyd**

(10) **Patent No.:** **US D709,126 S**  
(45) **Date of Patent:** **\*\* Jul. 15, 2014**

- (54) **INK CARTRIDGE**
- (75) Inventor: **Patrick V Boyd**, Albany, OR (US)
- (73) Assignee: **Hewlett-Packard Development Company, L.P.**, Houston, TX (US)
- (\*\*) Term: **14 Years**
- (21) Appl. No.: **29/425,814**
- (22) Filed: **Jun. 27, 2012**
- (51) **LOC (10) Cl.** ..... **18-02**
- (52) **U.S. Cl.**  
USPC ..... **D18/56**
- (58) **Field of Classification Search**  
USPC ..... D18/56; 347/86-87  
See application file for complete search history.

D625,755 S \* 10/2010 Park et al. .... D18/43  
 D626,589 S 11/2010 Domae  
 D627,818 S 11/2010 Ishizawa et al.  
 D636,437 S 4/2011 Urabe et al.  
 D650,420 S 12/2011 Butler et al.

**FOREIGN PATENT DOCUMENTS**

JP D1426847 7/2011  
 TW 537717 3/2002

\* cited by examiner

*Primary Examiner* — Cathy A MacCormac

(57) **CLAIM**  
 The ornamental design for an ink cartridge, as shown and described herein.

**DESCRIPTION**

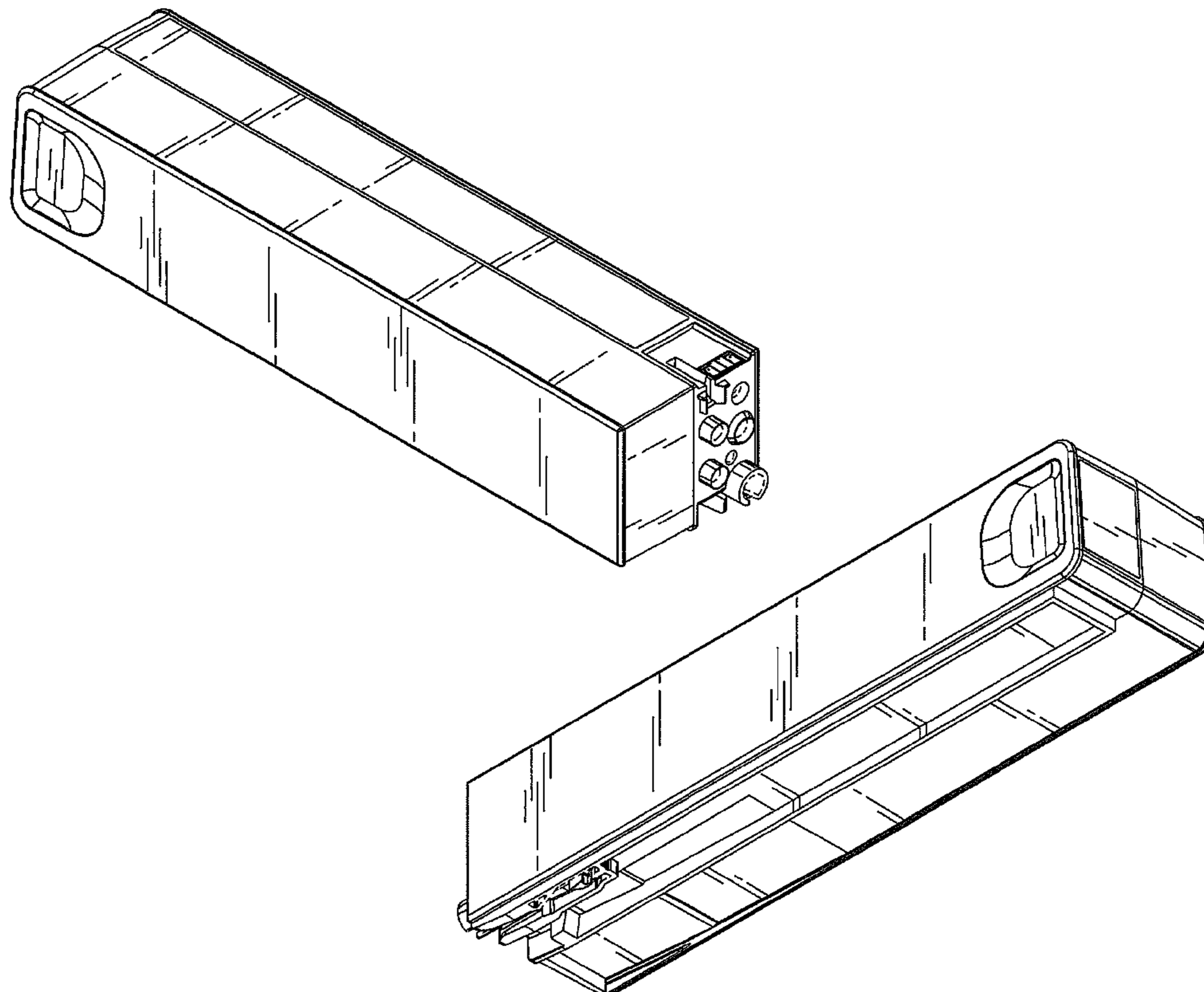
FIG. 1 is a front, top, and left side perspective view of an ink cartridge;  
 FIG. 2 is a rear, bottom, and right side perspective view thereof;  
 FIG. 3 is a top plan view thereof;  
 FIG. 4 is a bottom plan view thereof;  
 FIG. 5 is a left side elevation view thereof;  
 FIG. 6 is a right side elevation view thereof;  
 FIG. 7 is a front elevation view thereof; and,  
 FIG. 8 is a rear elevation view thereof.  
 Those portions of the Figures shown in broken lines are included for environmental purposes only and form no part of the claimed design.

(56) **References Cited**

**U.S. PATENT DOCUMENTS**

D492,962 S 7/2004 Suzuki et al.  
 6,866,374 B2 \* 3/2005 Taku ..... 347/86  
 6,997,626 B2 \* 2/2006 Silverbrook ..... 400/77  
 D536,374 S 2/2007 Shinada et al.  
 D542,837 S 5/2007 Amano  
 D569,420 S 5/2008 Hwang et al.  
 D580,485 S \* 11/2008 Park et al. .... D18/43  
 D598,049 S \* 8/2009 Park ..... D18/43  
 7,748,834 B2 7/2010 Hamano  
 D624,585 S \* 9/2010 Park et al. .... D18/43

**1 Claim, 5 Drawing Sheets**



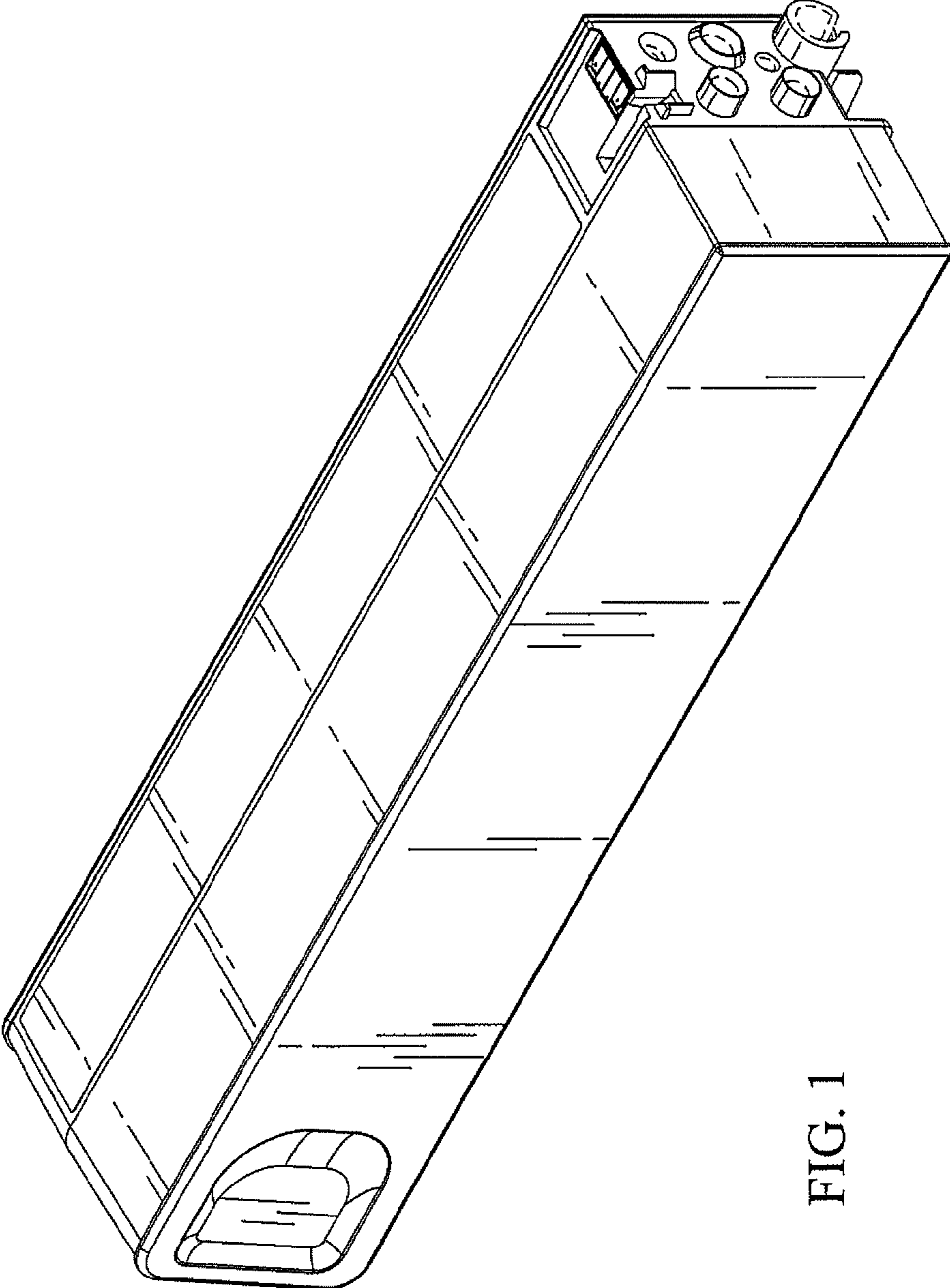


FIG. 1

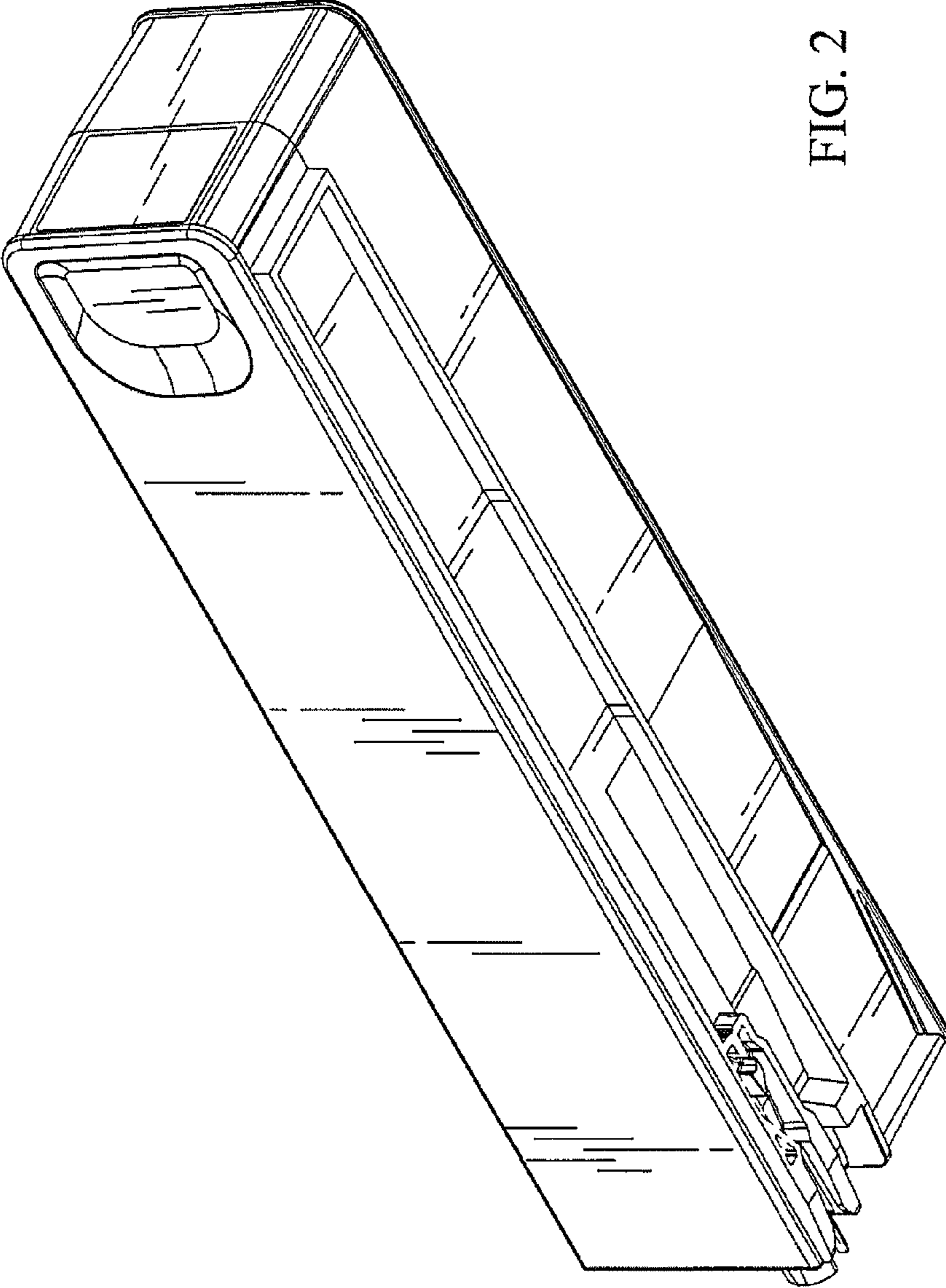


FIG. 2

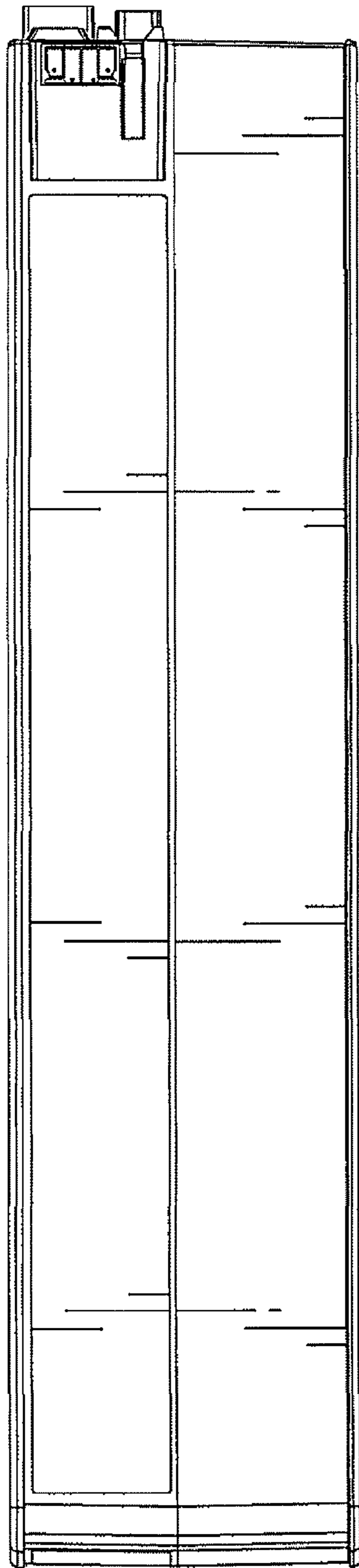


FIG. 3

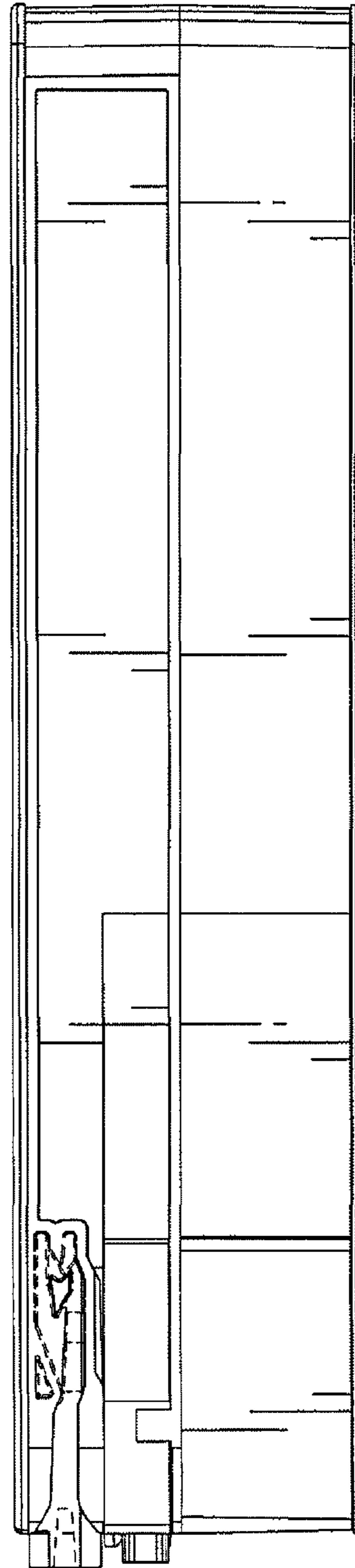


FIG. 4

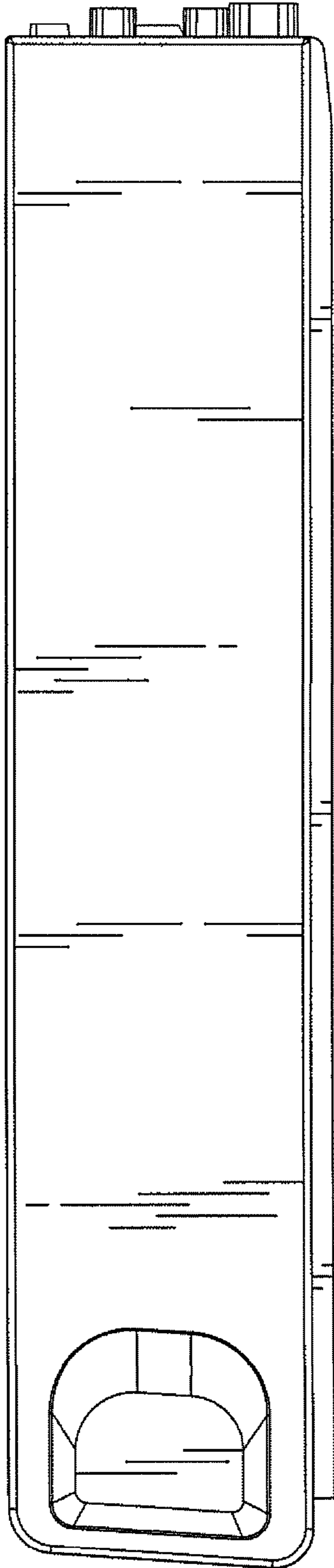


FIG. 5

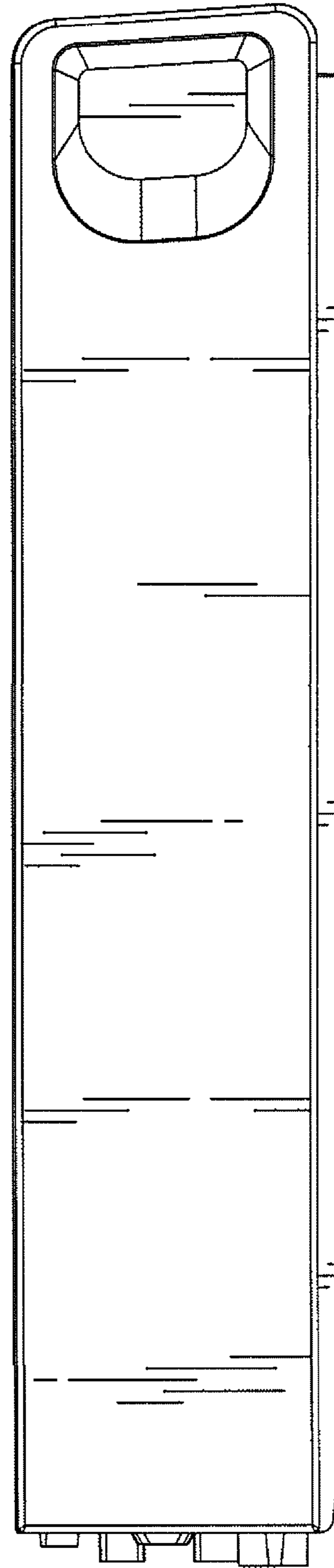


FIG. 6

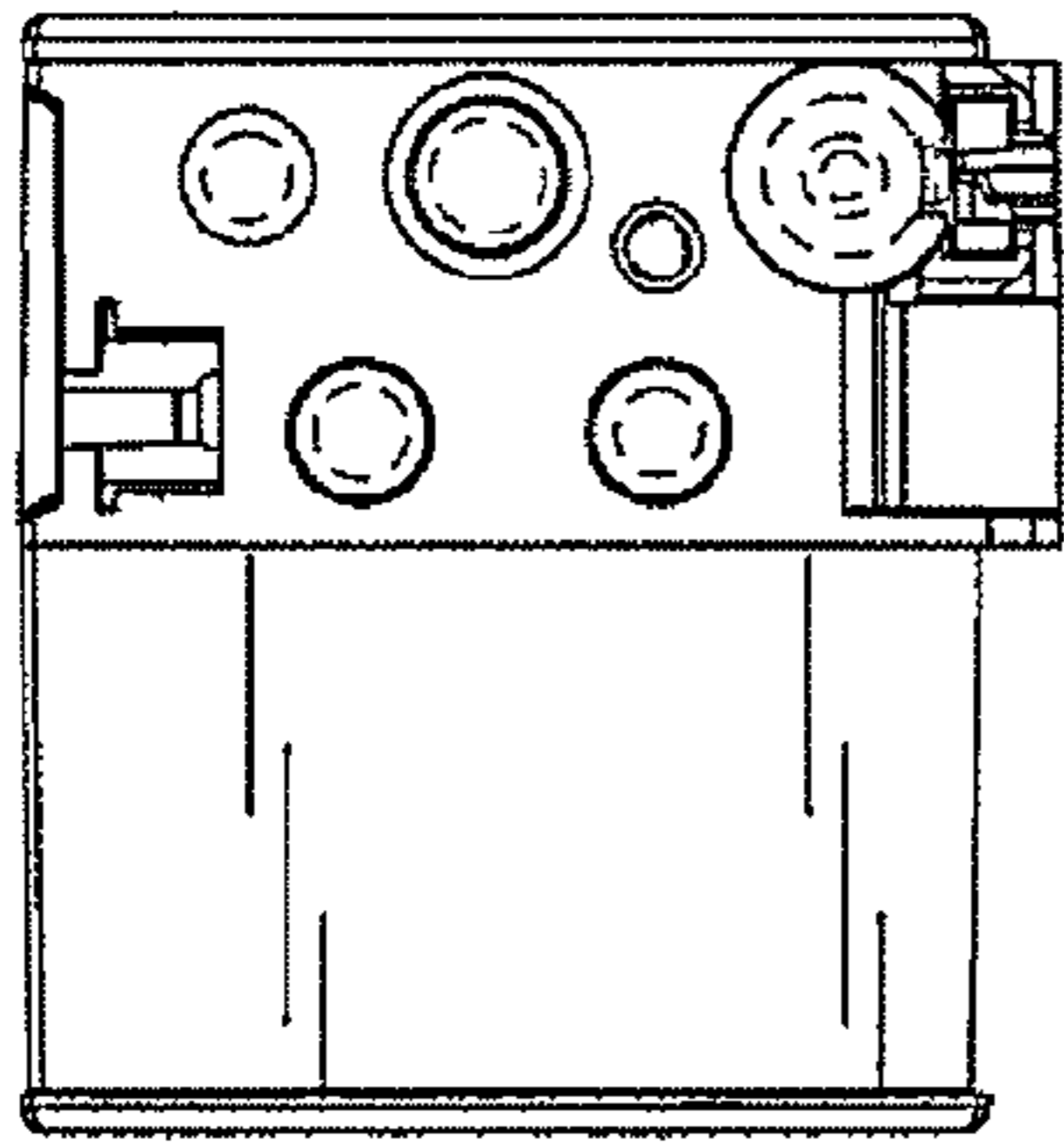


FIG. 7

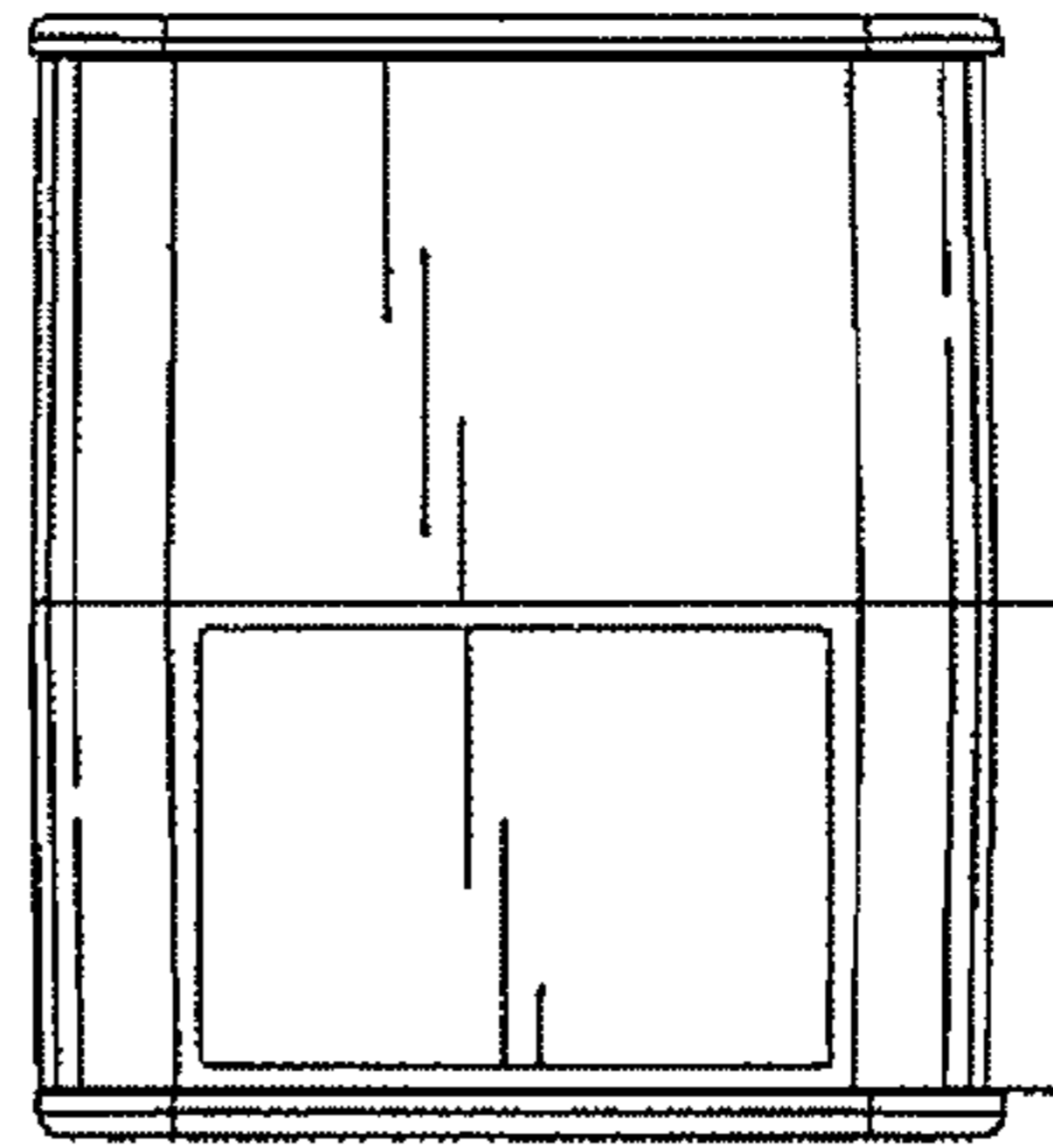


FIG. 8