



US00D709125S

(12) **United States Design Patent**
Lim et al.

(10) **Patent No.:** **US D709,125 S**
(45) **Date of Patent:** **** Jul. 15, 2014**

(54) **MULTI-FUNCTION IMAGING AND PRINTING DEVICE**

(75) Inventors: **Khim Yam Lim**, Singapore (SG); **Amy Wan**, Singapore (SG); **Wee Seong Yeo**, Singapore (SG); **Kiran Kattesomanahalli Shanthamallappa**, Singapore (SG); **Nick Su**, Singapore (SG)

(73) Assignee: **Hewlett-Packard Development Company, L.P.**, Houston, TX (US)

(**) Term: **14 Years**

(21) Appl. No.: **29/428,469**

(22) Filed: **Jul. 31, 2012**

(51) **LOC (10) Cl.** **14-02**

(52) **U.S. Cl.**
USPC **D18/50**

(58) **Field of Classification Search**
USPC D18/14, 19, 36-37, 50, 54, 54.1, 55;
400/613, 613.1-613.4, 690.1-690.4,
400/691-694

See application file for complete search history.

(56) **References Cited**

U.S. PATENT DOCUMENTS

D323,344 S *	1/1992	Umino et al.	D18/54
D338,271 S *	8/1993	Yoshikawa et al.	D18/50
D345,353 S *	3/1994	Dietrich	D14/462
D374,888 S *	10/1996	Udagawa	D18/50
D420,446 S *	2/2000	Kehr et al.	D24/186
6,250,827 B1 *	6/2001	Nojima et al.	400/691
D511,343 S *	11/2005	Solomon et al.	D14/356
D529,078 S	9/2006	Hattori		
D536,729 S	2/2007	Hattori		

D544,907 S *	6/2007	Tjin Wong Joe et al.	D18/55
D564,519 S *	3/2008	Genatossio et al.	D14/422
D579,938 S *	11/2008	Romanoff et al.	D14/422
D624,545 S *	9/2010	Kuroda et al.	D14/422
D624,546 S *	9/2010	Kuroda et al.	D14/422
D643,039 S *	8/2011	Wilday et al.	D14/422
D645,897 S	9/2011	Chuang et al.		

OTHER PUBLICATIONS

Canon Pixma MG5320 Review, 11 pgs., retrieved on May 30, 2012 from < <http://www.digitaltrends.com/printer-reviews/canon-pixma-mg5320-review/> >.

* cited by examiner

Primary Examiner — Cathy A MacCormac

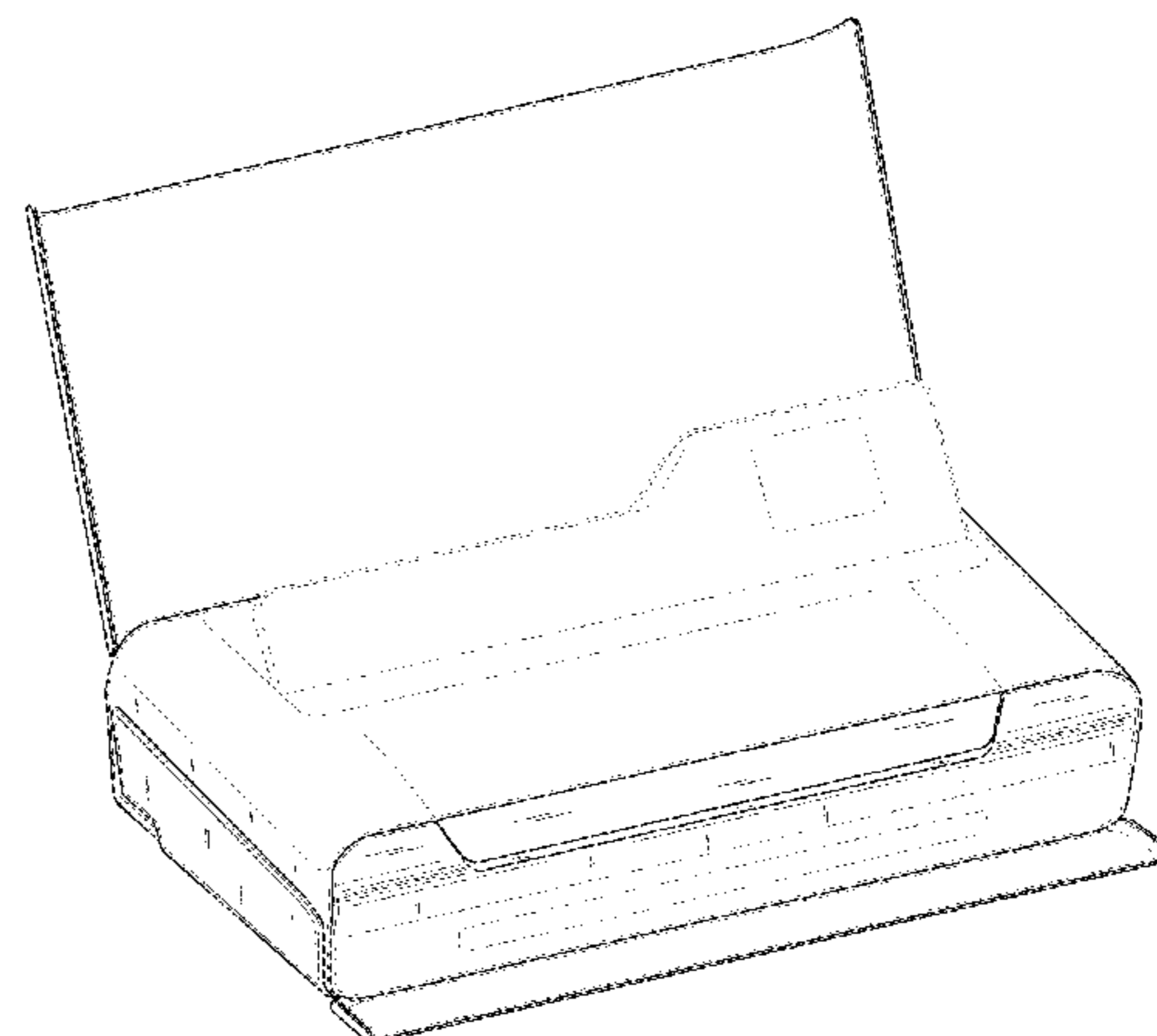
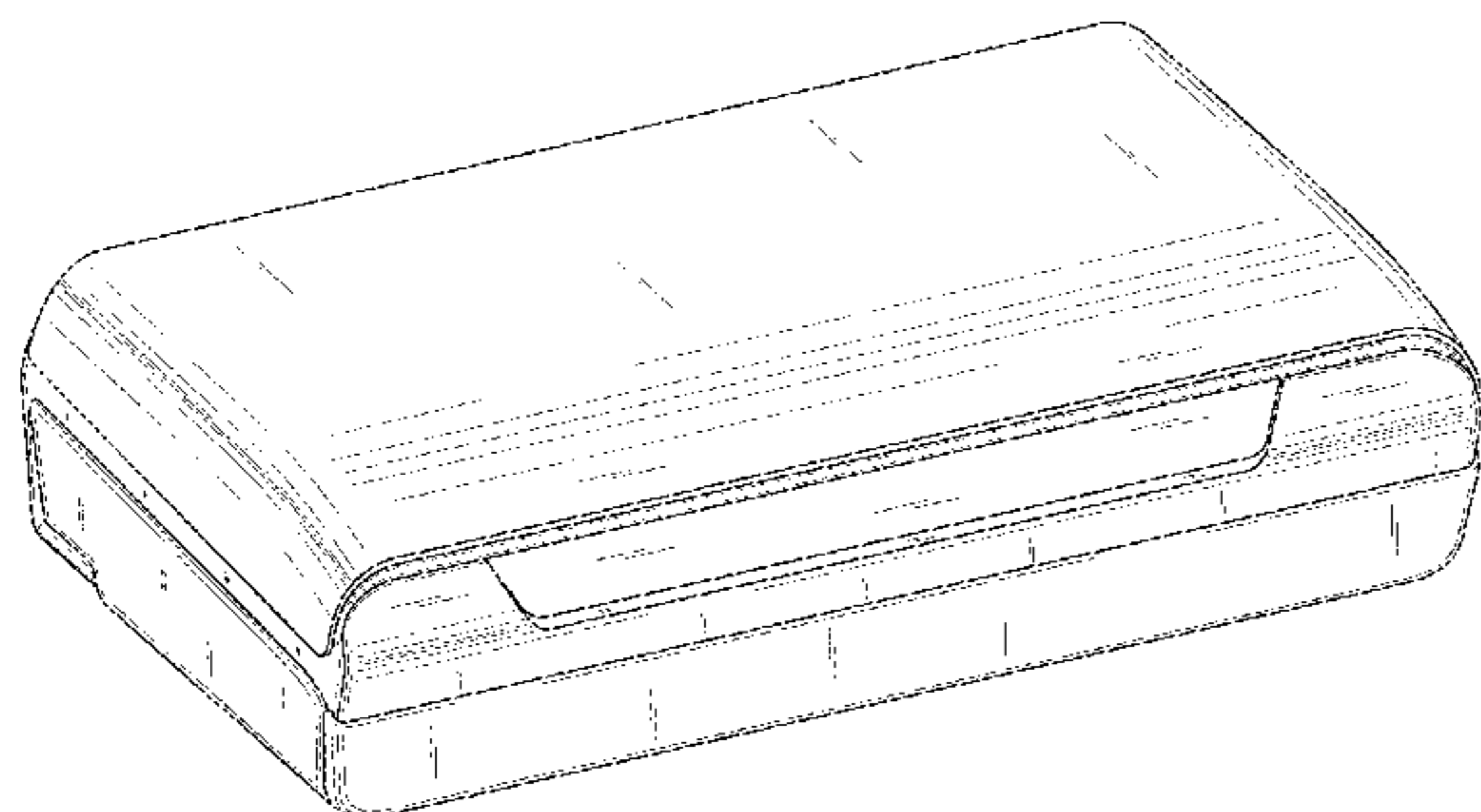
(57) **CLAIM**

The ornamental design for a multi-function imaging and printing device, substantially as shown and described.

DESCRIPTION

FIG. 1 is a left-front perspective view of the multi-function imaging and printing device showing the top and front panels in a closed position;
FIG. 2 is a front view thereof;
FIG. 3 is a rear view thereof;
FIG. 4 is a left view thereof;
FIG. 5 is a right view thereof;
FIG. 6 is a top view thereof;
FIG. 7 is a bottom view thereof; and,
FIG. 8 is another left-front perspective view thereof showing the top and front panels in an open position.
The portions shown in broken lines are for illustrative purposes only and form no part of the claimed design.

1 Claim, 8 Drawing Sheets



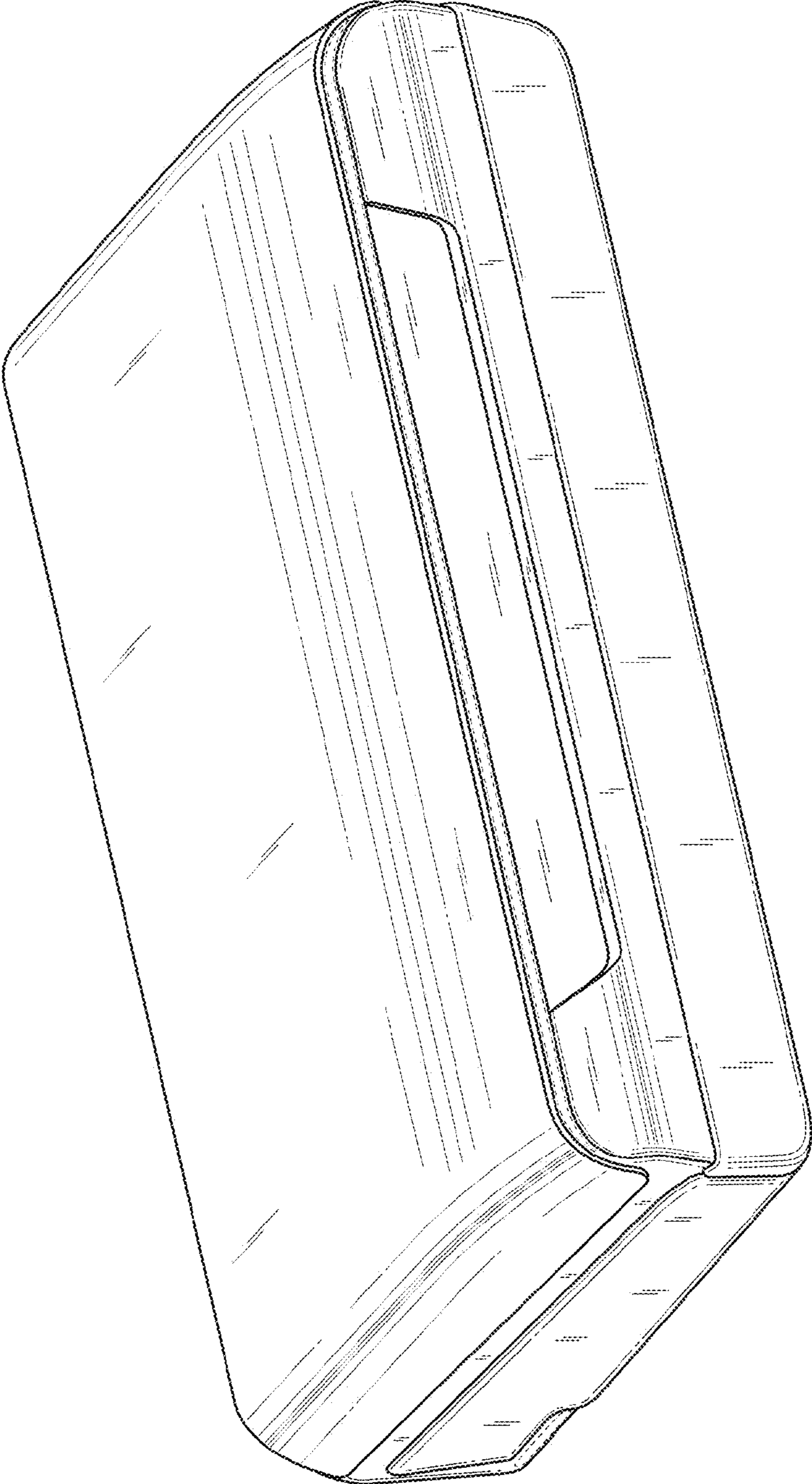


Fig. 1

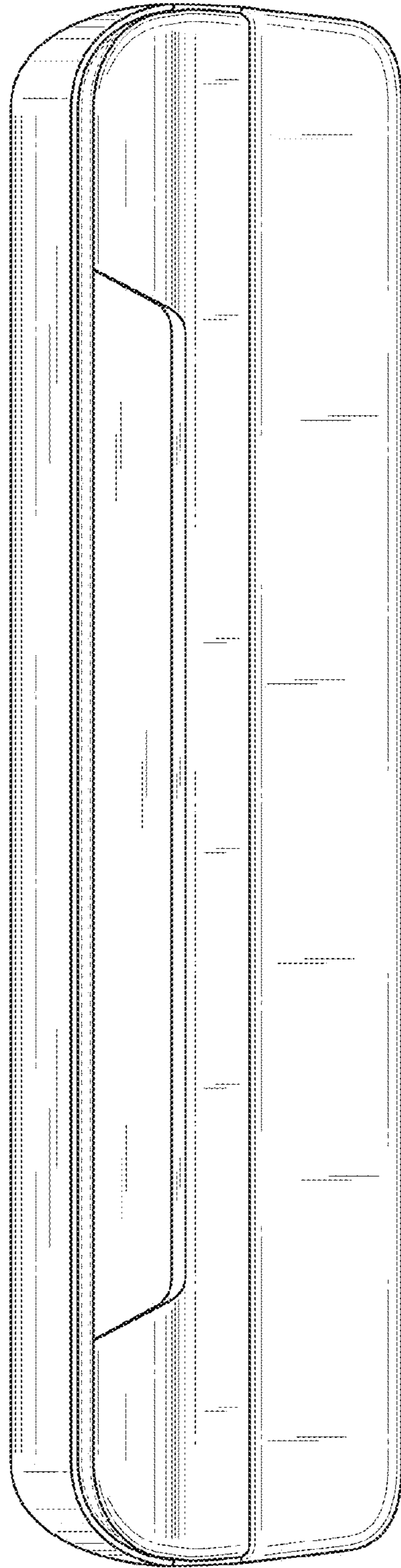


Fig. 2

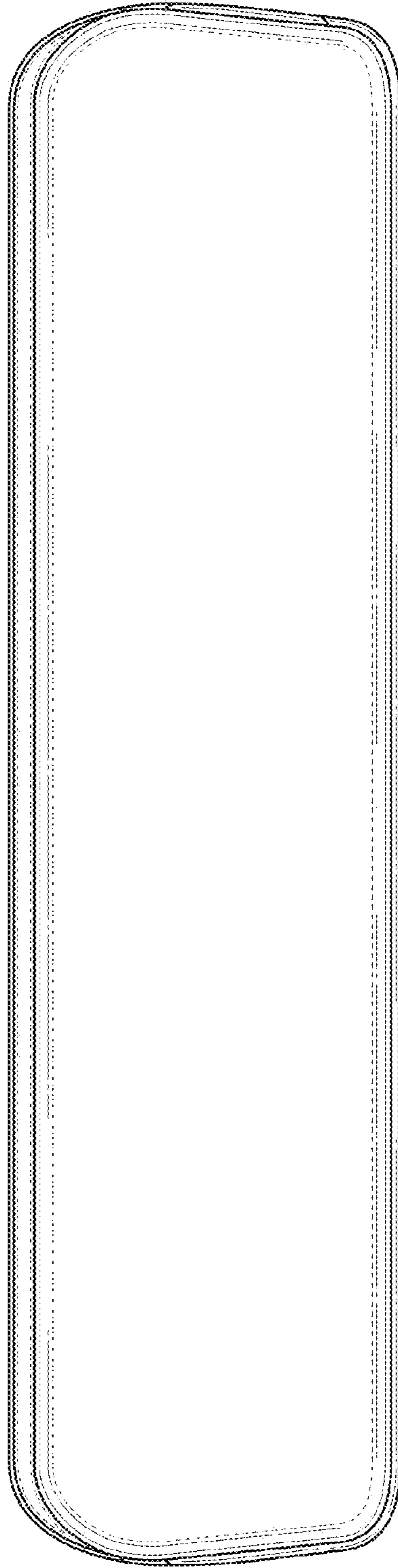


Fig. 3

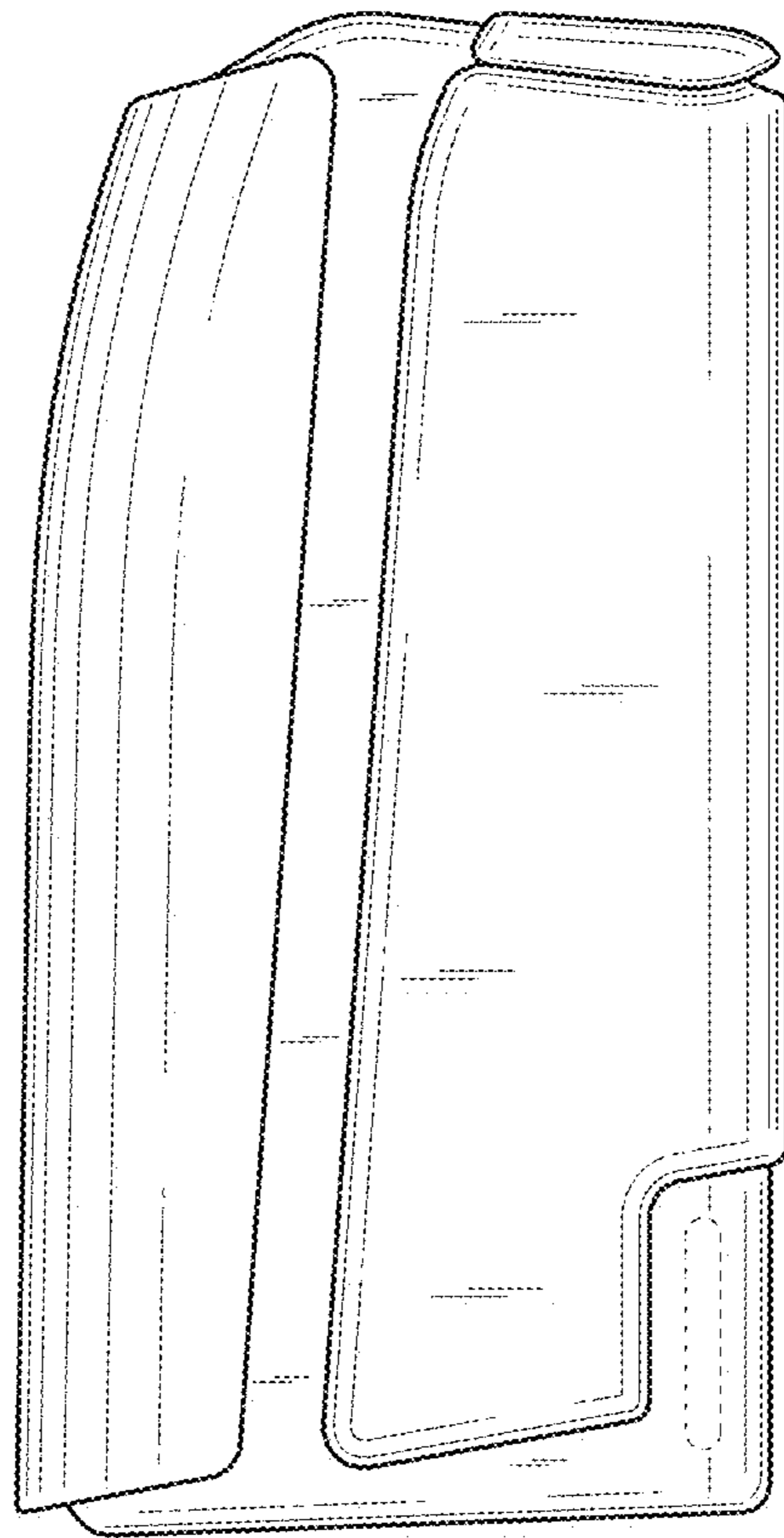


Fig. 4

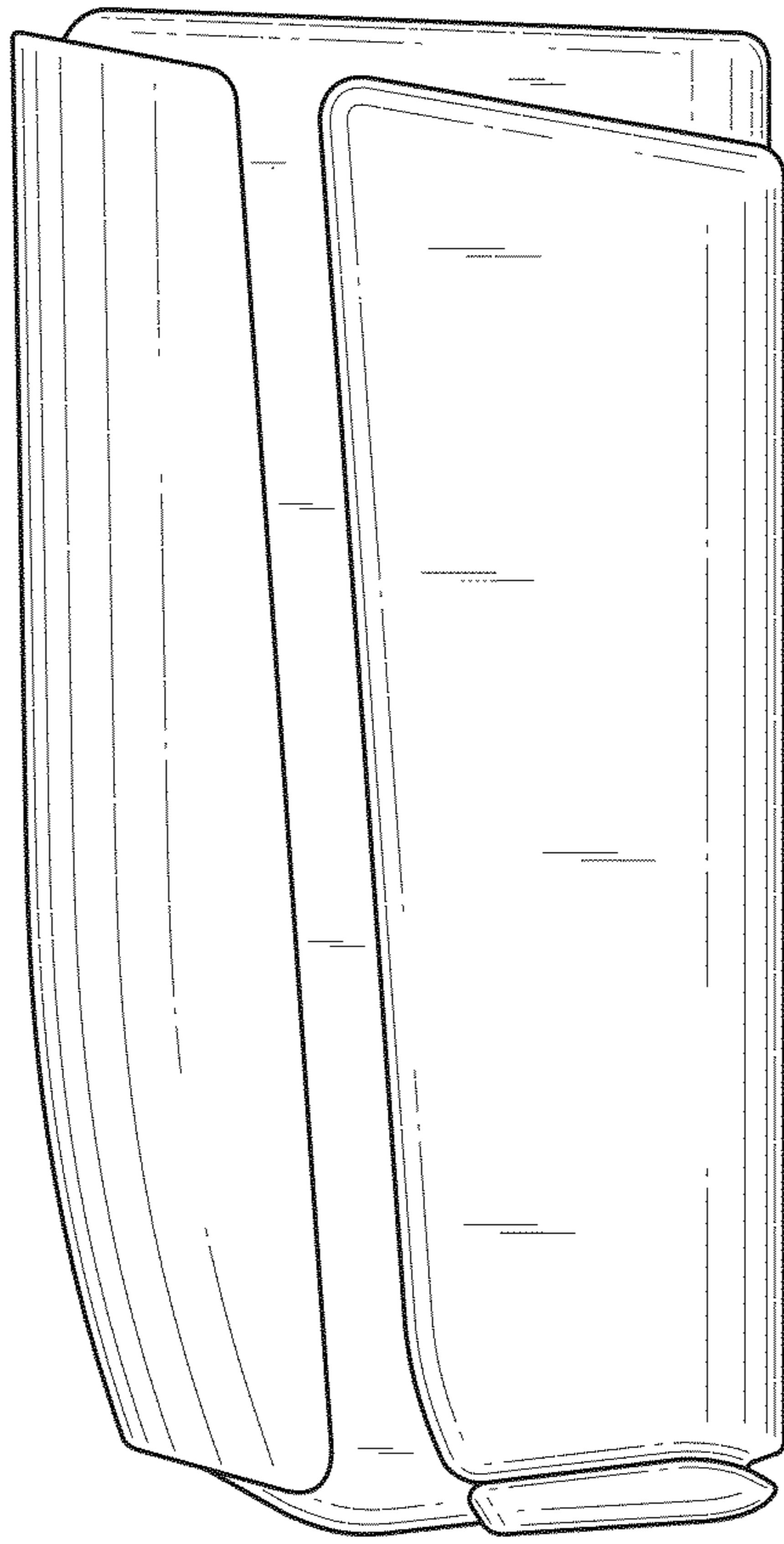


Fig. 5

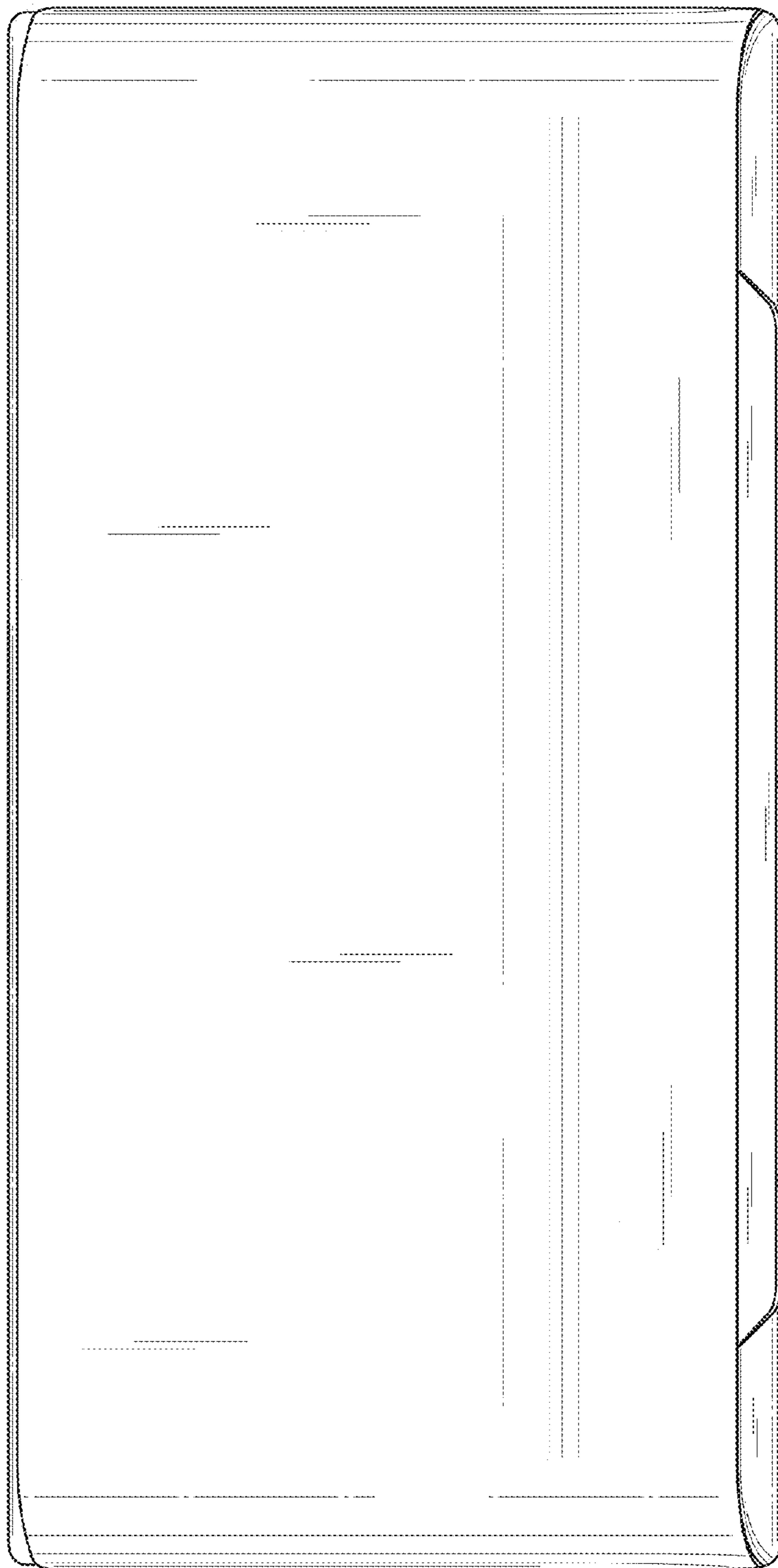


Fig. 6

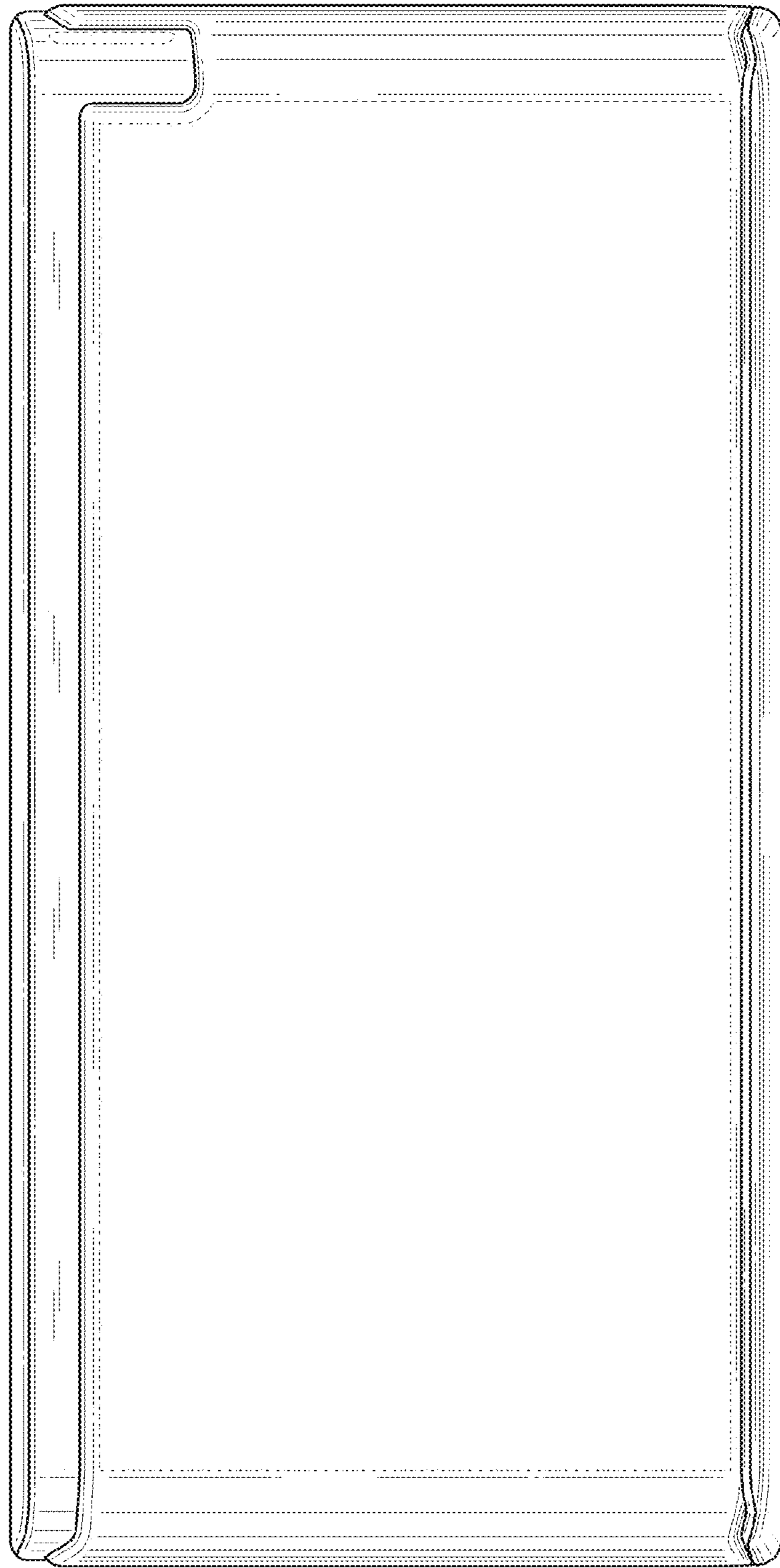


Fig. 7

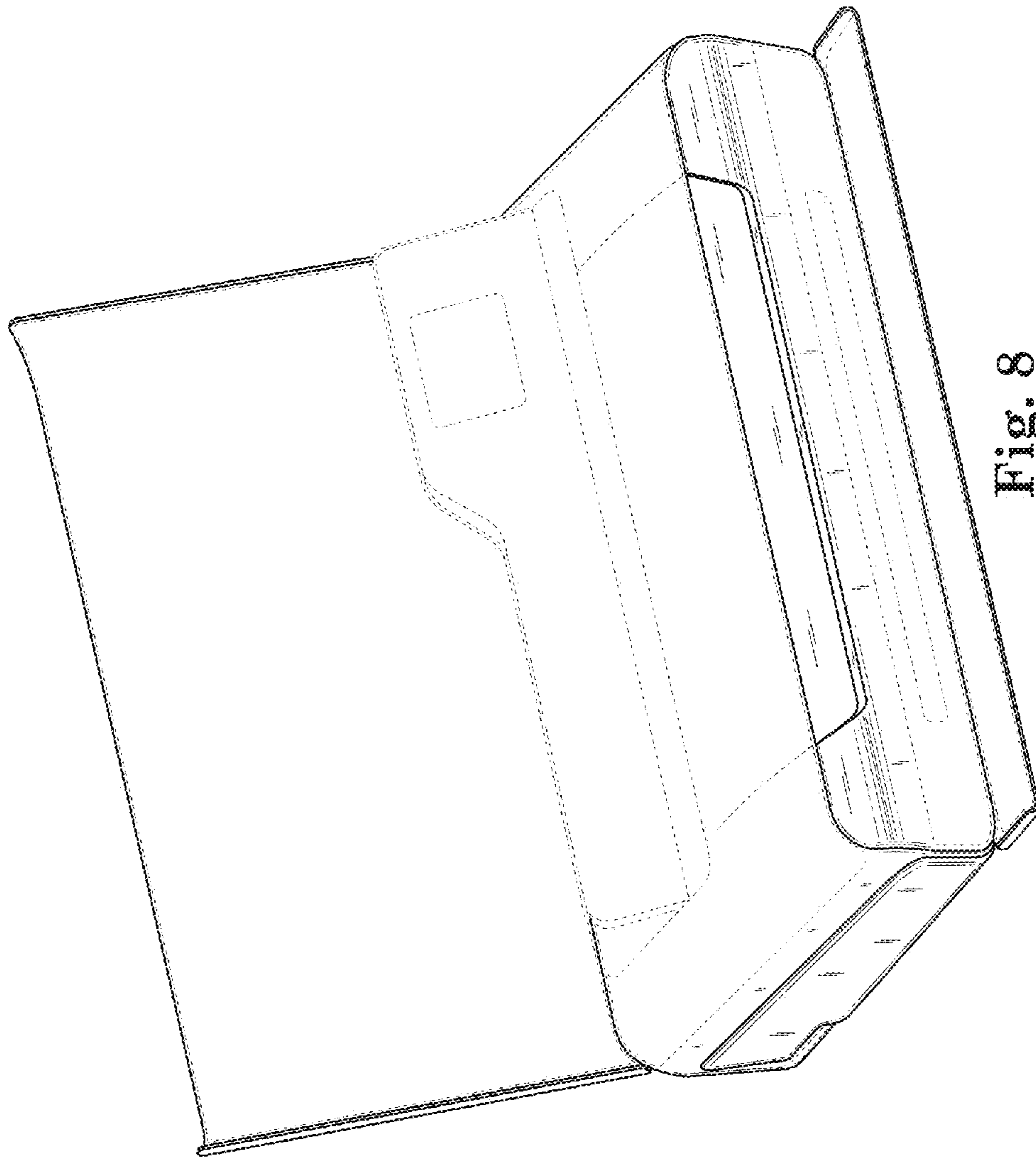


Fig. 8