



US00D709124S

(12) **United States Design Patent**  
**Ridinger et al.**

(10) **Patent No.:** **US D709,124 S**  
(45) **Date of Patent:** **\*\* Jul. 15, 2014**

- (54) **CLIP-ON MUSICAL INSTRUMENT TUNER**
- (71) Applicant: **Evets Corporation**, Camarillo, CA (US)
- (72) Inventors: **Steve Ridinger**, Camarillo, CA (US);  
**Adam O'Hern**, Alexandria, VA (US)
- (73) Assignee: **Evets Corporation**, Camarillo, CA (US)
- (\*\*) Term: **14 Years**
- (21) Appl. No.: **29/453,027**
- (22) Filed: **Apr. 24, 2013**
- (51) **LOC (10) Cl.** ..... **17-99**
- (52) **U.S. Cl.**  
USPC ..... **D17/99**
- (58) **Field of Classification Search**  
USPC ..... D17/20, 21, 99; 84/312 R, 317, 318,  
84/454, 455, 200-209  
See application file for complete search history.

(56) **References Cited**

**U.S. PATENT DOCUMENTS**

|            |   |         |                 |       |        |
|------------|---|---------|-----------------|-------|--------|
| D604,760 S | * | 11/2009 | Small           | ..... | D17/20 |
| D629,837 S | * | 12/2010 | Ishihara et al. | ..... | D17/20 |
| D678,395 S | * | 3/2013  | Strauser        | ..... | D17/21 |
| D687,883 S | * | 8/2013  | Ando et al.     | ..... | D17/20 |
| D688,301 S | * | 8/2013  | Ando            | ..... | D17/20 |

**OTHER PUBLICATIONS**

ebay. [http://www.ebay.com/itm/MEHot-T83GW-CLIP-ON-AUTO-LCD-GUITAR-WESTERN-INSTRUMENT-TUNER-/161182760451#ht\\_1908wt\\_988](http://www.ebay.com/itm/MEHot-T83GW-CLIP-ON-AUTO-LCD-GUITAR-WESTERN-INSTRUMENT-TUNER-/161182760451#ht_1908wt_988). Date Unknown: Viewed Dec. 2013. "MEHot T83GW Clip-On Auto-LCD Guitar Western Instrument Tuner".\*

ebay. <http://www.ebay.com/itm/Clip-on-Multi-Musical-Instruments-Tuner-T28C-Black-Tuner-Range-A0-C8-/190788879997>. Oct. 2013. "Clip-on Multi Musical Instruments Tuner T28C Black Tuner Range A0-C8".\*  
Musician's Friend. <http://www.musiciansfriend.com/accessories/fender-ft-004-clip-on-chromatic-tuner>. Copyright 2013. "Fender FT-004 Clip-On Chromatic Tuner".\*  
ebay. [http://www.ebay.com.au/itm/Korg-Pitchclip-Clip-On-PC-1-Chromatic-Tuner-Pitch-Clip-for-Guitar-Instrument-PC1-/230927410509#ht\\_7789wt\\_950](http://www.ebay.com.au/itm/Korg-Pitchclip-Clip-On-PC-1-Chromatic-Tuner-Pitch-Clip-for-Guitar-Instrument-PC1-/230927410509#ht_7789wt_950). Date Unknown: Viewed: Dec. 2013. "Korg Pitchclip Clip-On PC-1 Chromatic Tuner Pitch Clip for Guitar Instrument".\*

\* cited by examiner

*Primary Examiner* — Rashida Johnson

(74) *Attorney, Agent, or Firm* — Joseph T. Leone, Esq.; DeWitt Ross & Stevens S.C.

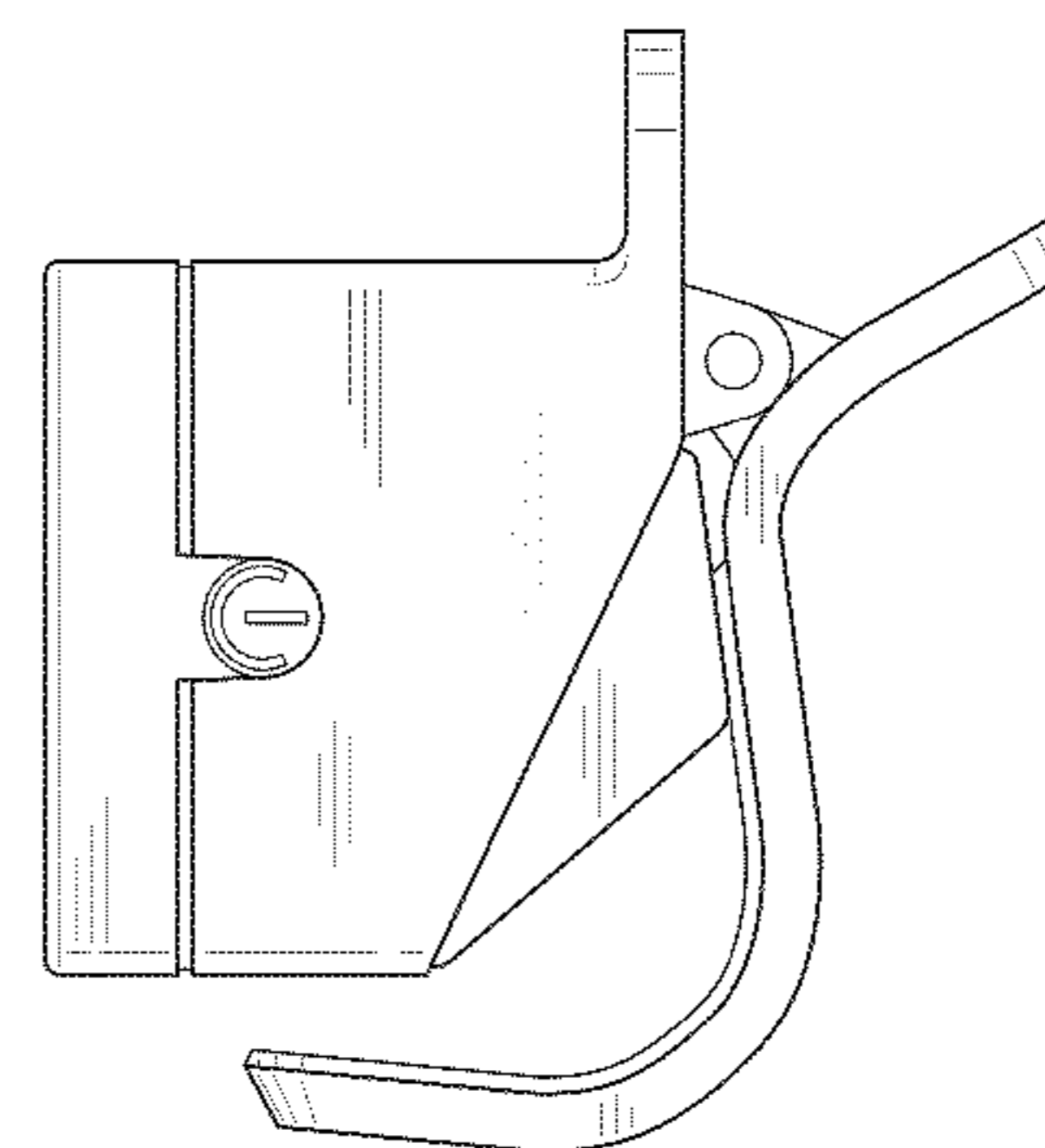
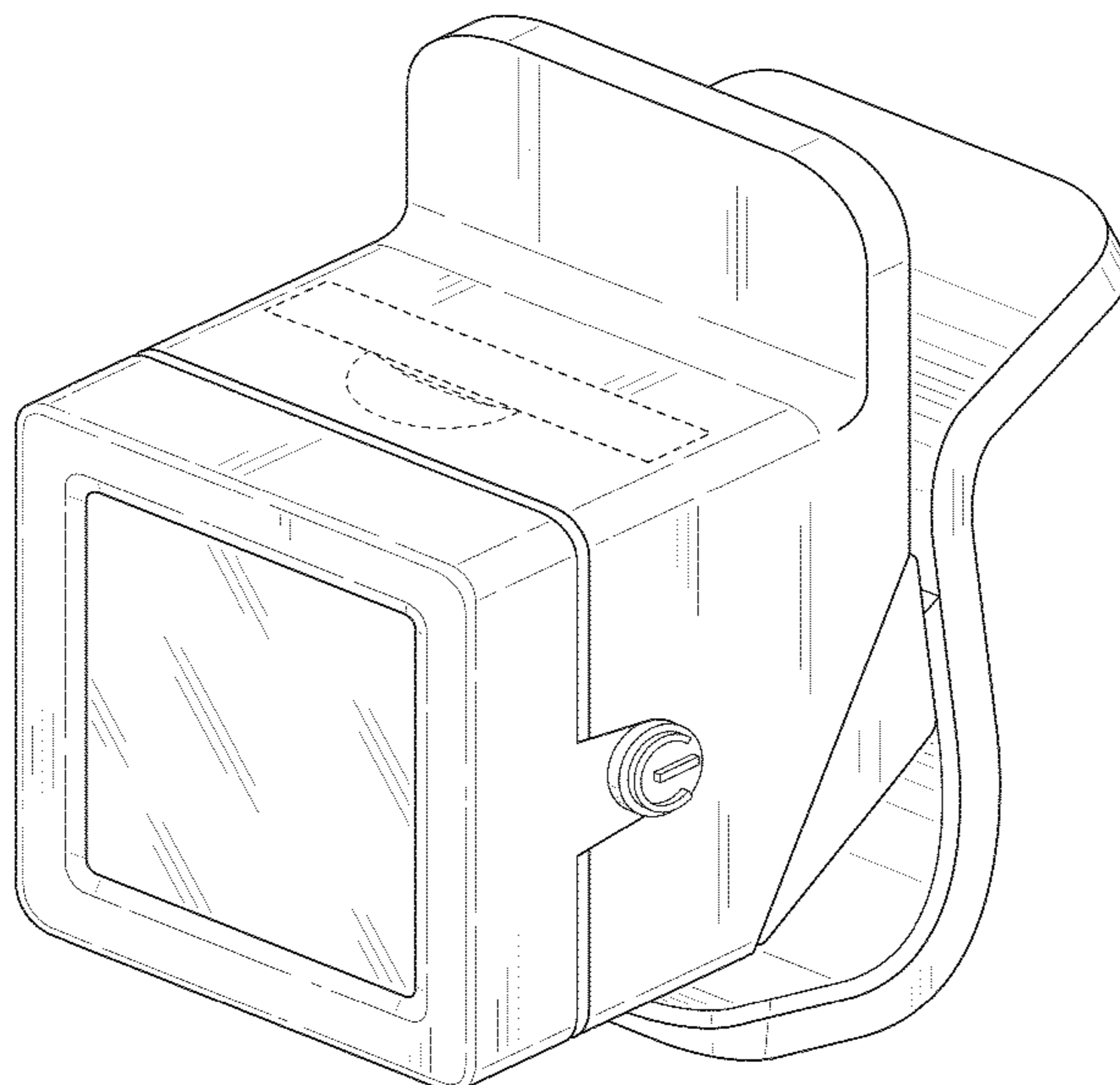
(57) **CLAIM**

The ornamental design for a clip-on musical instrument tuner, as shown and described.

**DESCRIPTION**

FIG. 1 is an enlarged perspective view of a clip-on musical instrument tuner showing my new design; FIG. 2 is a right side elevational view thereof; FIG. 3 is a left side elevational view thereof; FIG. 4 is a front elevational view thereof; FIG. 5 is a rear elevational view thereof; and FIG. 6 is a top plan view thereof; and FIG. 7 is a bottom plan view thereof. The broken lines represent the portions of the clip-on musical instrument tuner which form no part of the claimed design.

**1 Claim, 3 Drawing Sheets**



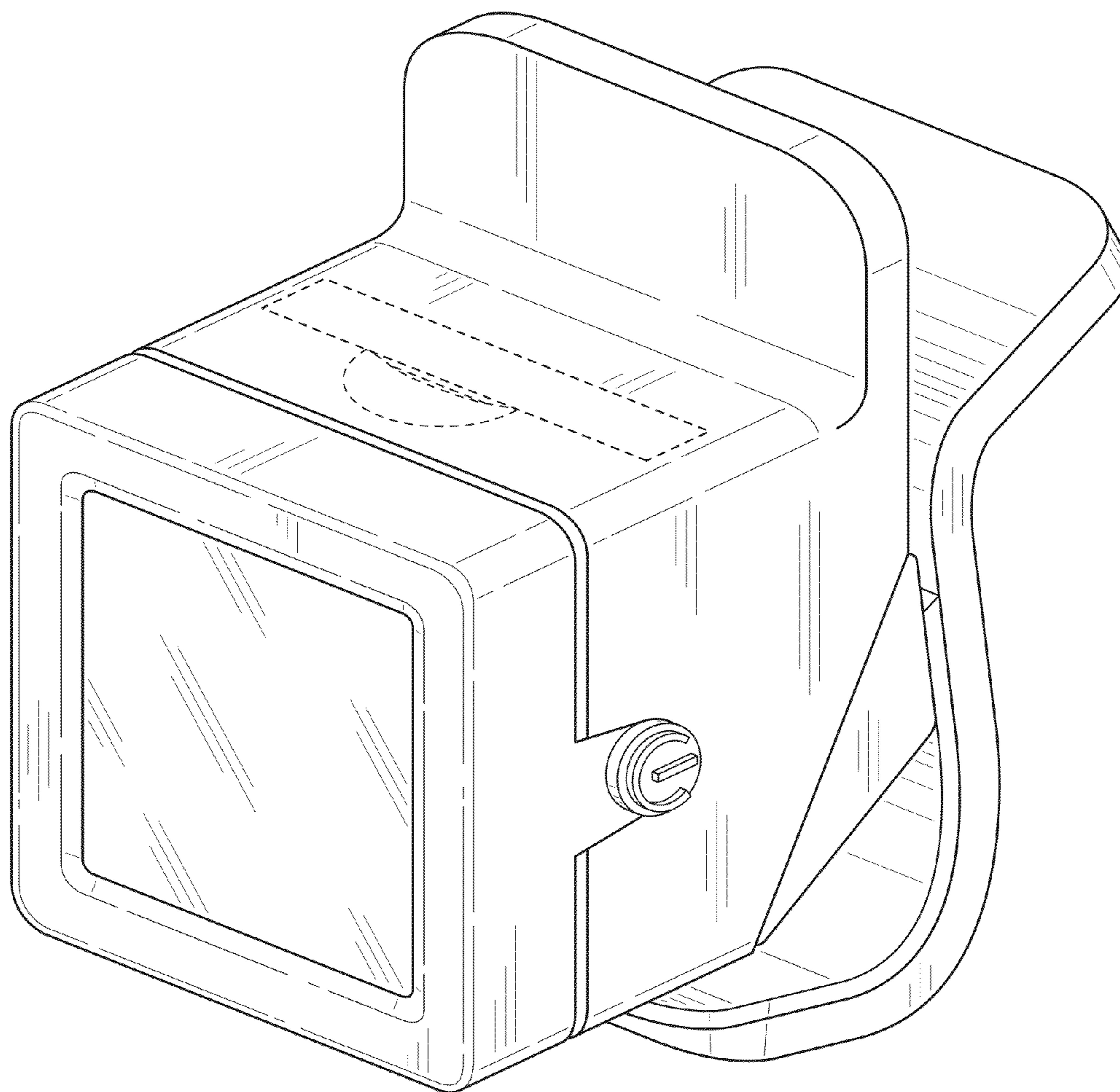


FIG. 1

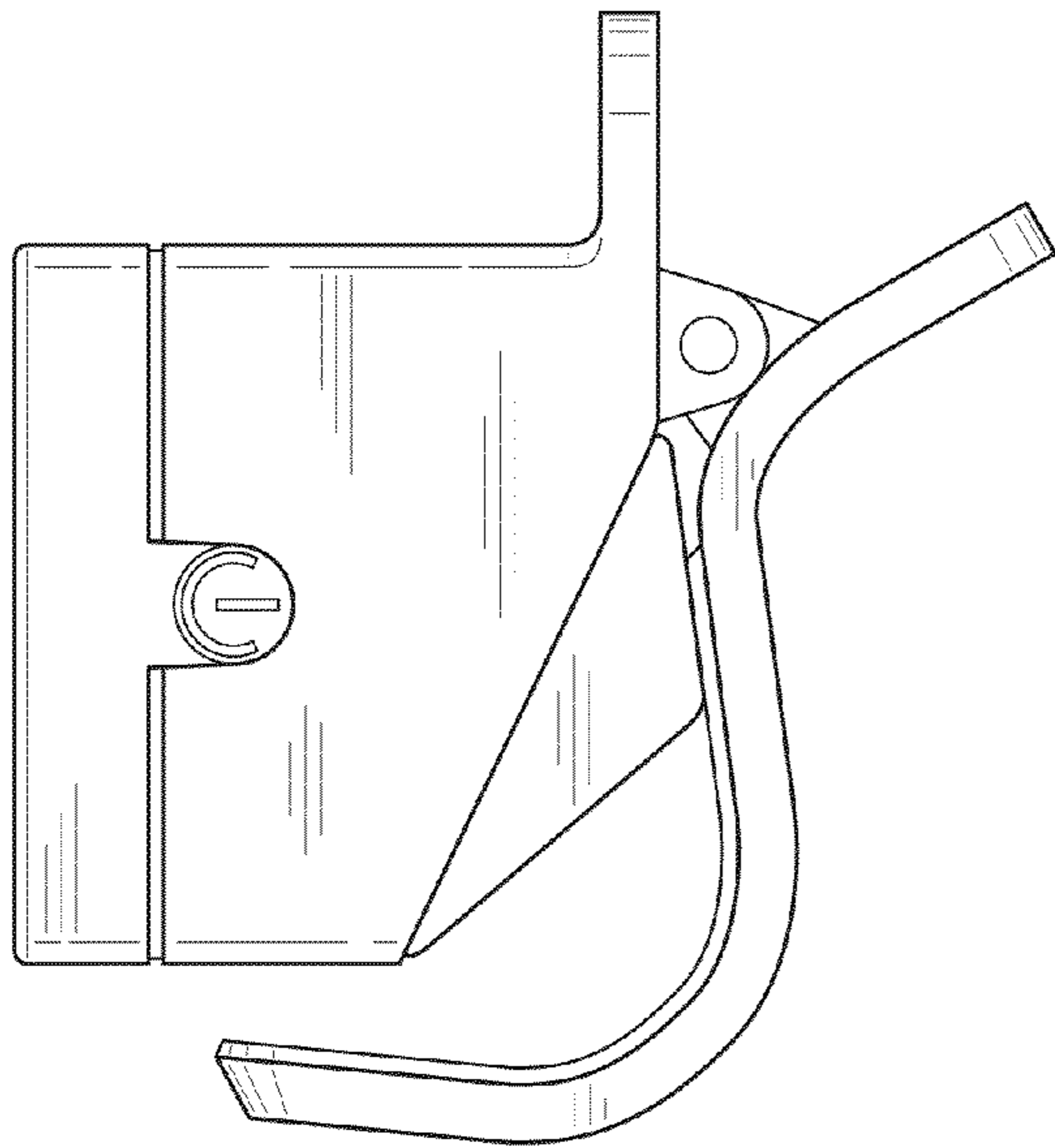


FIG. 2

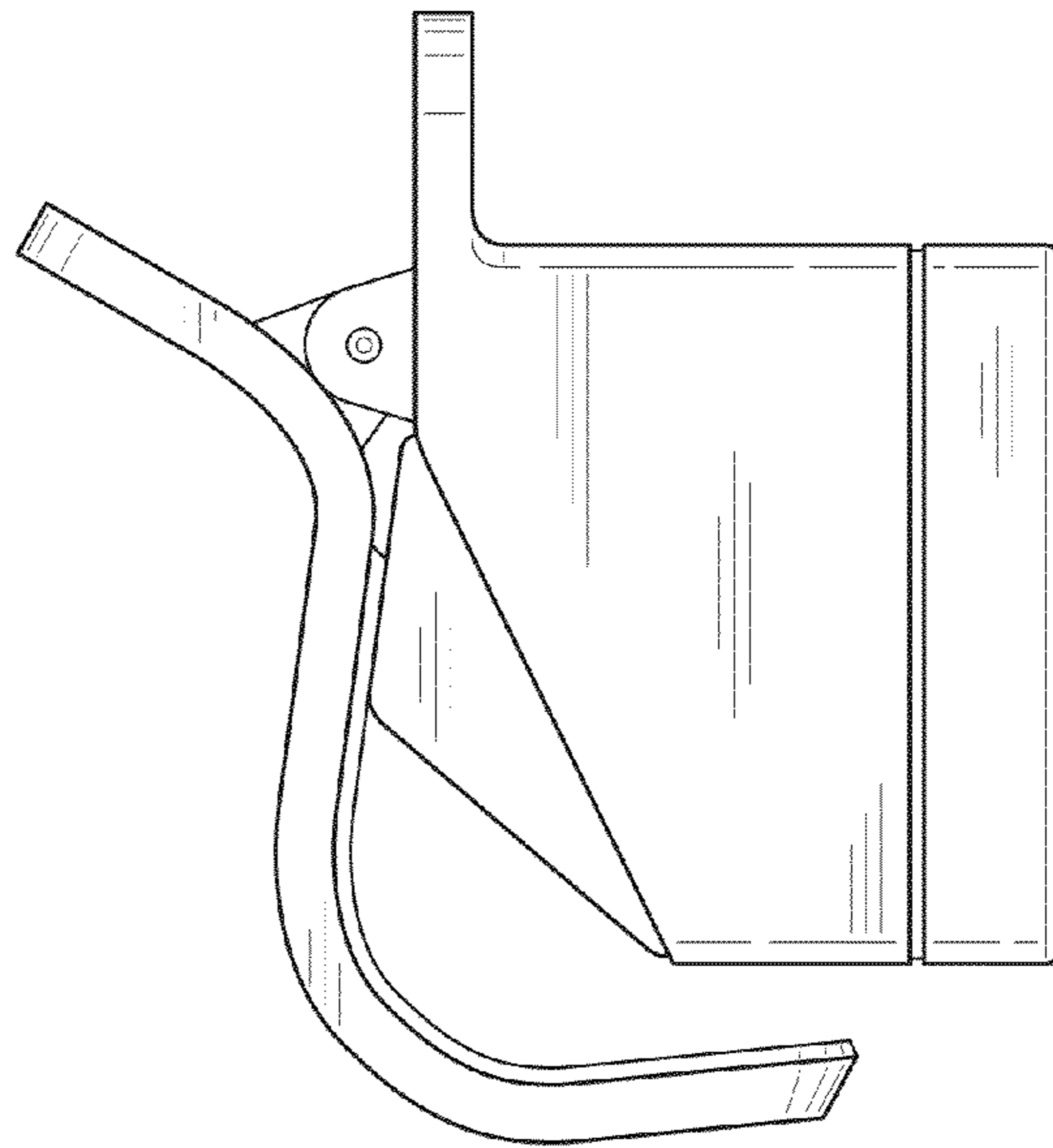


FIG. 3

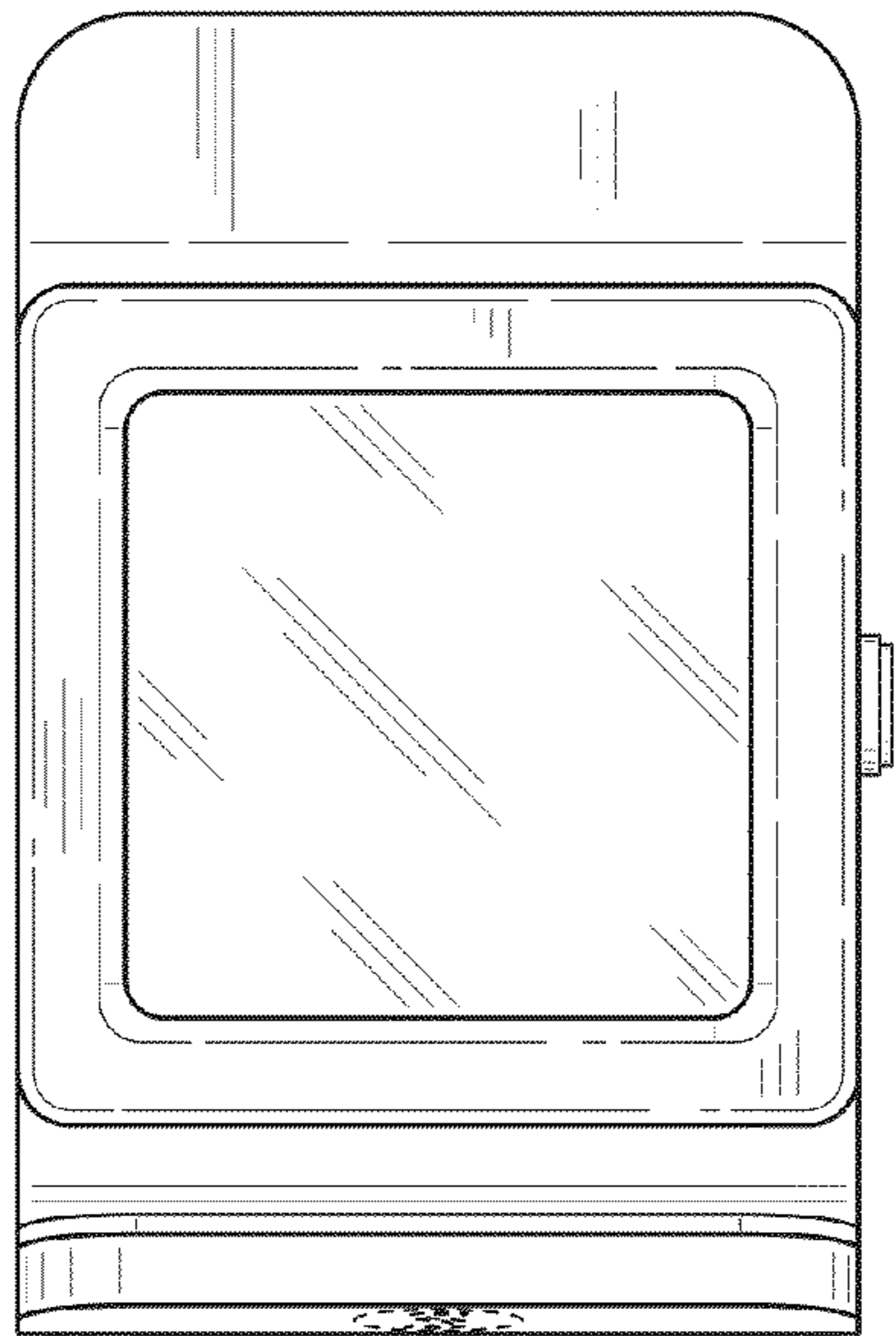


FIG. 4

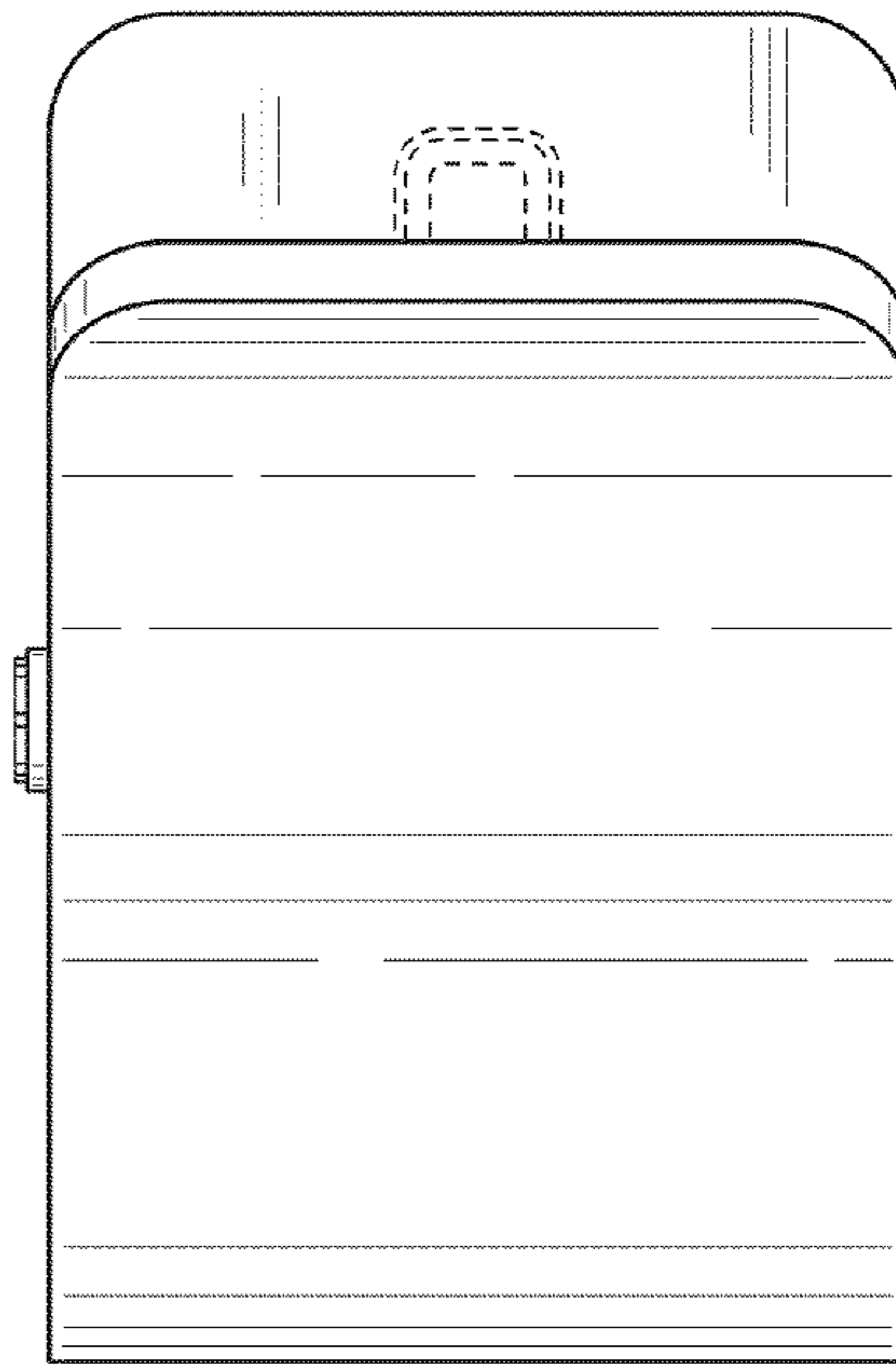


FIG. 5

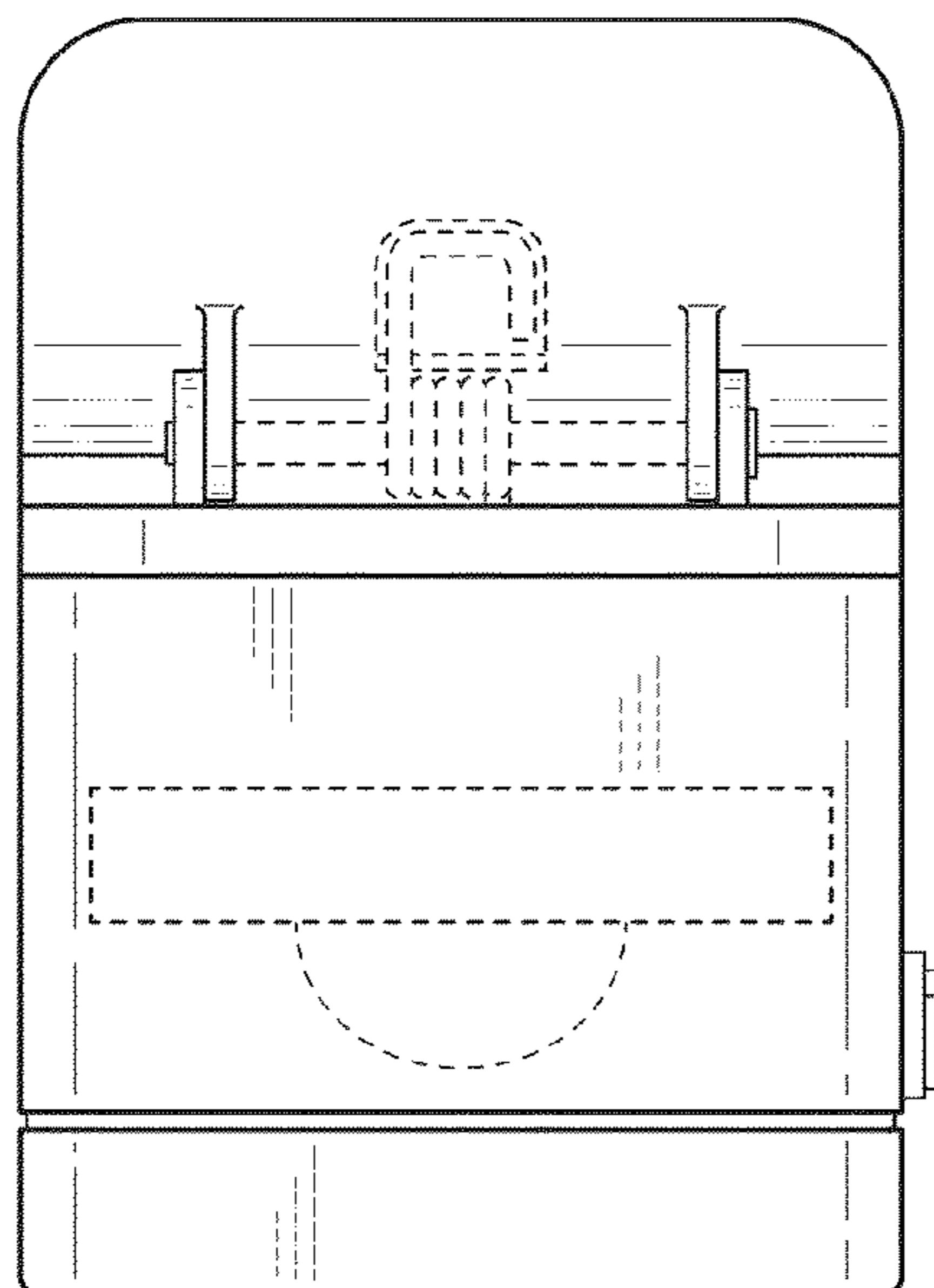


FIG. 6

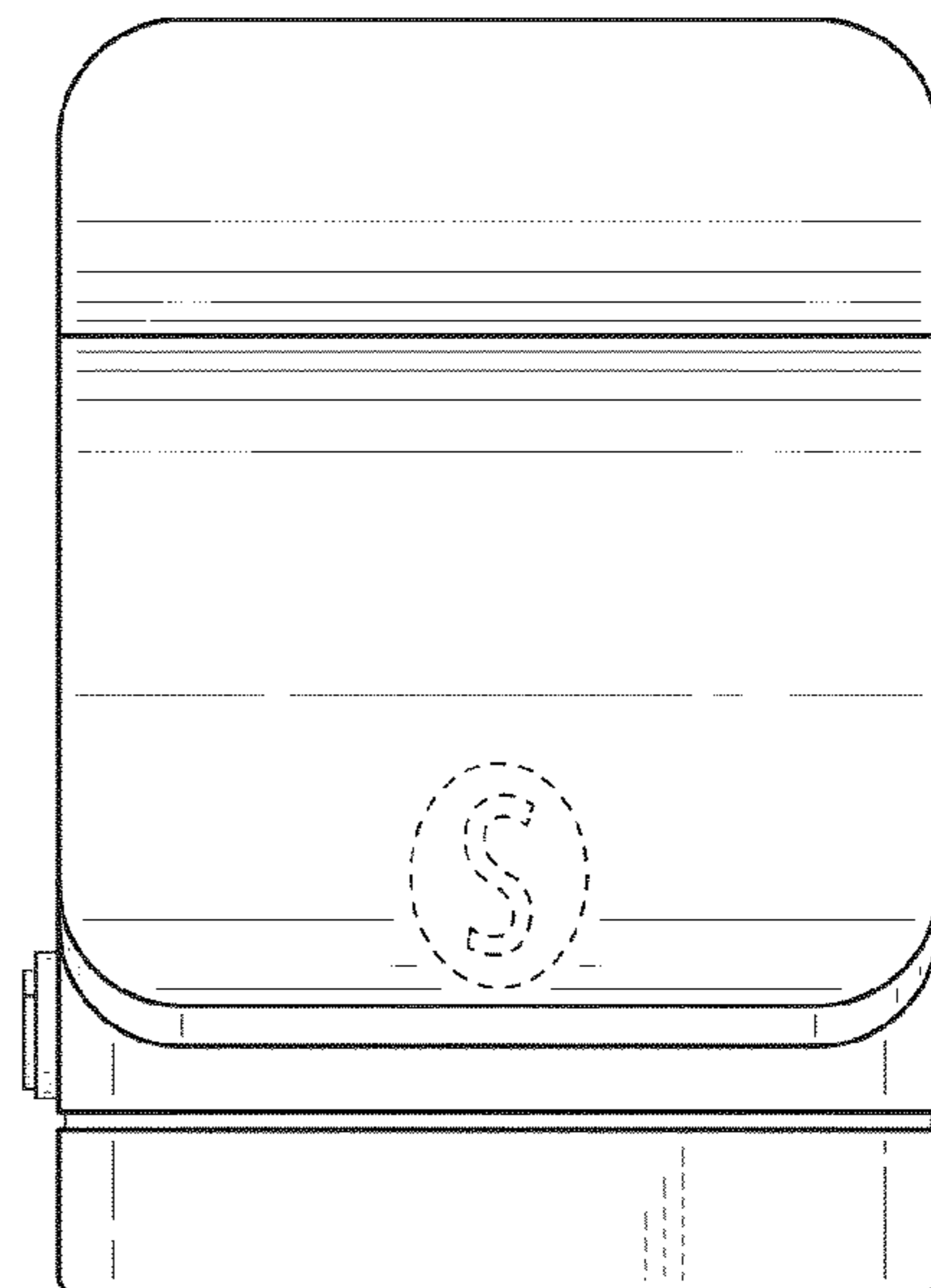


FIG. 7