

US00D709123S

(12) **United States Design Patent**  
**Park**

(10) **Patent No.:** **US D709,123 S**  
(45) **Date of Patent:** **\*\* Jul. 15, 2014**

(54) **GUITAR SADDLE**

FOREIGN PATENT DOCUMENTS

(71) Applicant: **In Jae Park**, Seoul (KR)

JP WO008202108 A1 \* 6/1982

(72) Inventor: **In Jae Park**, Seoul (KR)

\* cited by examiner

(\*\*) Term: **14 Years**

*Primary Examiner* — Rashida Johnson

(21) Appl. No.: **29/435,859**

(74) *Attorney, Agent, or Firm* — Clements Bernard PLLC;  
Christopher L. Bernard

(22) Filed: **Oct. 30, 2012**

(57) **CLAIM**

(51) **LOC (10) Cl.** ..... **17-03**

The ornamental design for a guitar saddle, as shown and described.

(52) **U.S. Cl.**

USPC ..... **D17/20**

(58) **Field of Classification Search**

USPC ..... D17/14, 20, 21, 99; 84/267, 290, 291,  
84/293, 297 R, 298, 307, 314 R, 453, 327  
See application file for complete search history.

**DESCRIPTION**

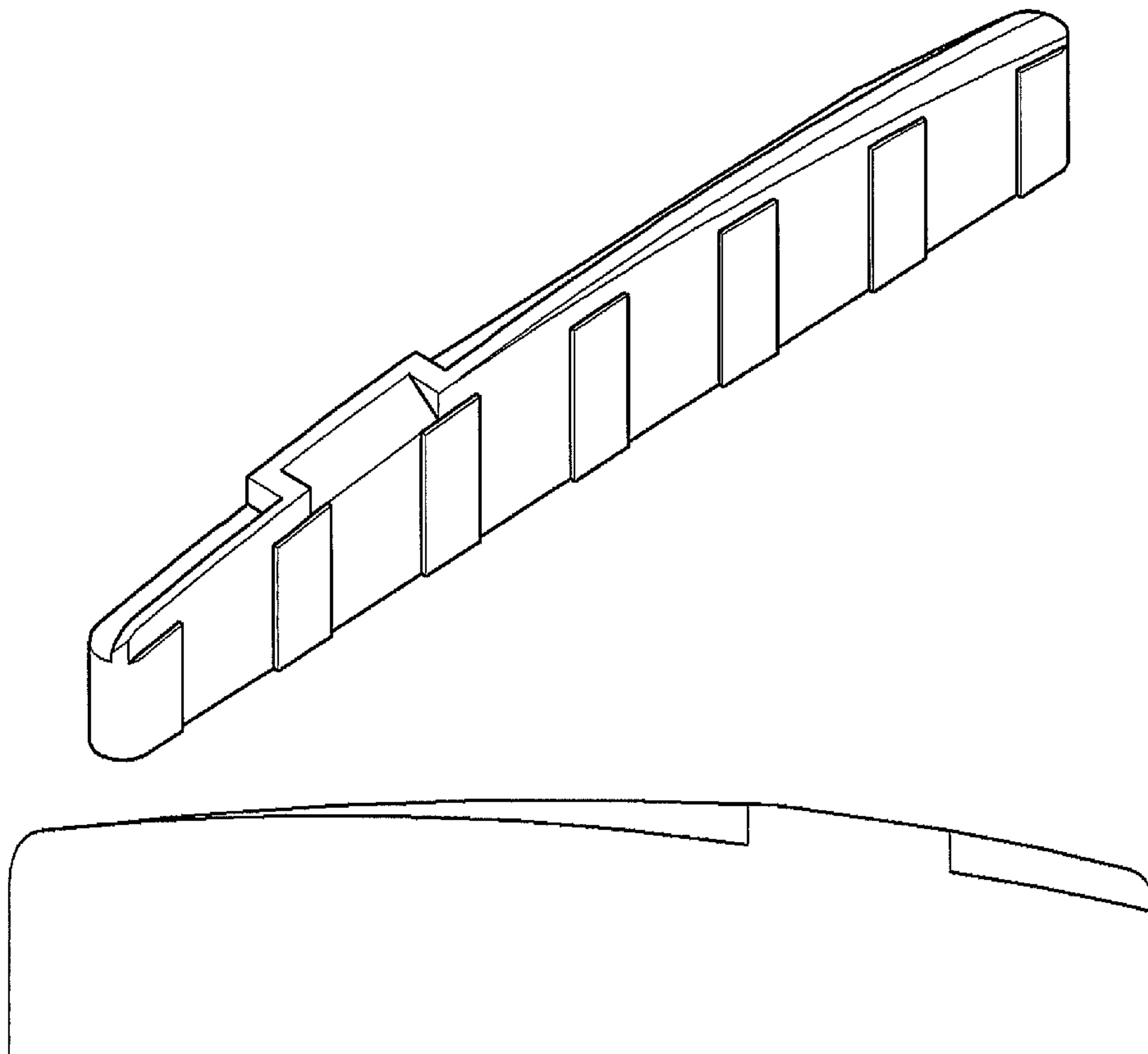
(56) **References Cited**

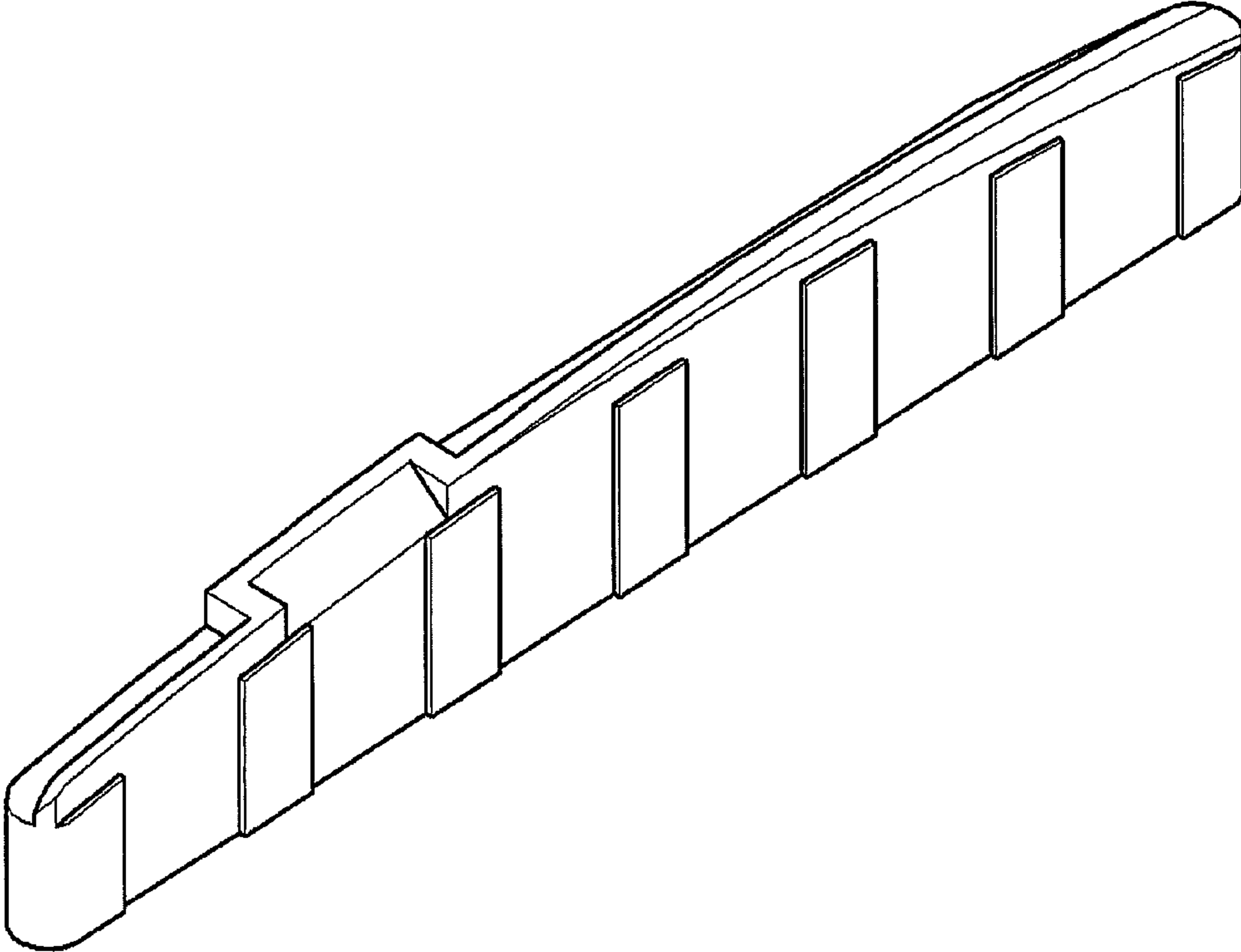
**U.S. PATENT DOCUMENTS**

D97,104 S *	10/1935	Stanley et al.	.....	D17/21
D400,233 S *	10/1998	Park	.....	D17/20
D432,158 S *	10/2000	Gregory	.....	D17/20
D468,760 S *	1/2003	Powers et al.	.....	D17/20
6,706,957 B1 *	3/2004	Merkel	.....	84/314 N
7,851,684 B1 *	12/2010	Anderson et al.	.....	84/297 R
D646,710 S *	10/2011	Chaput	.....	D17/20
D685,410 S *	7/2013	Chaput	.....	D17/20

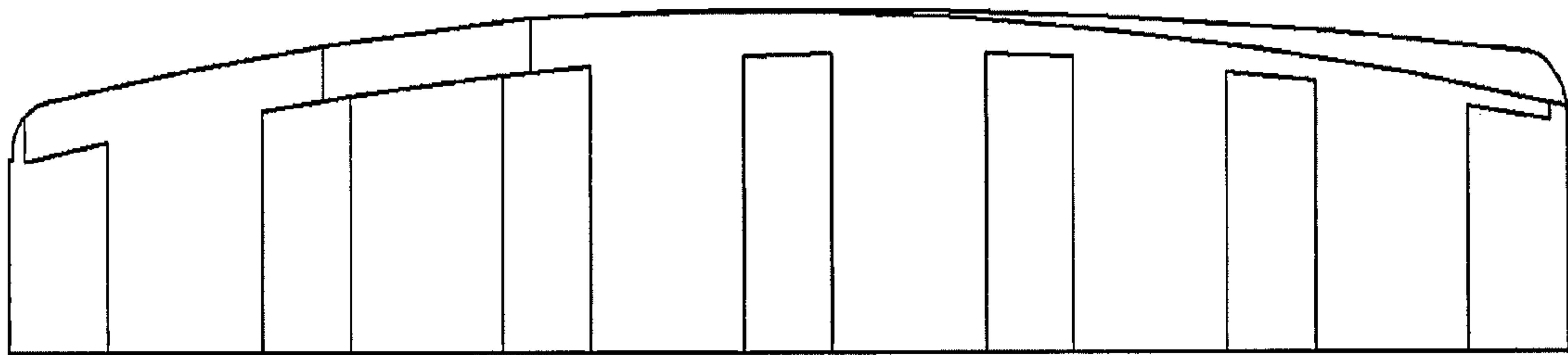
FIG. 1 is a top, front perspective view of a guitar saddle showing my new design;  
FIG. 2 is a front elevational view thereof;  
FIG. 3 is a rear elevational view thereof;  
FIG. 4 is a left side elevational view thereof;  
FIG. 5 is a right side elevational view thereof;  
FIG. 6 is a top plan view thereof;  
FIG. 7 is a bottom plan view thereof; and,  
FIG. 8 is a reduced perspective view showing the environment in which the design used.  
Any broken lines are for environmental purposes only and form no part of the claimed design.

**1 Claim, 8 Drawing Sheets**

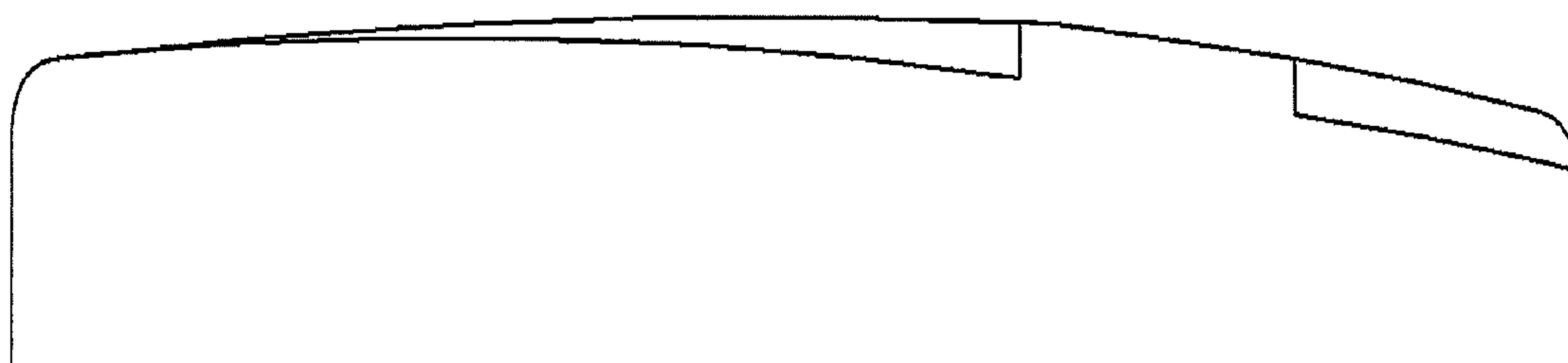




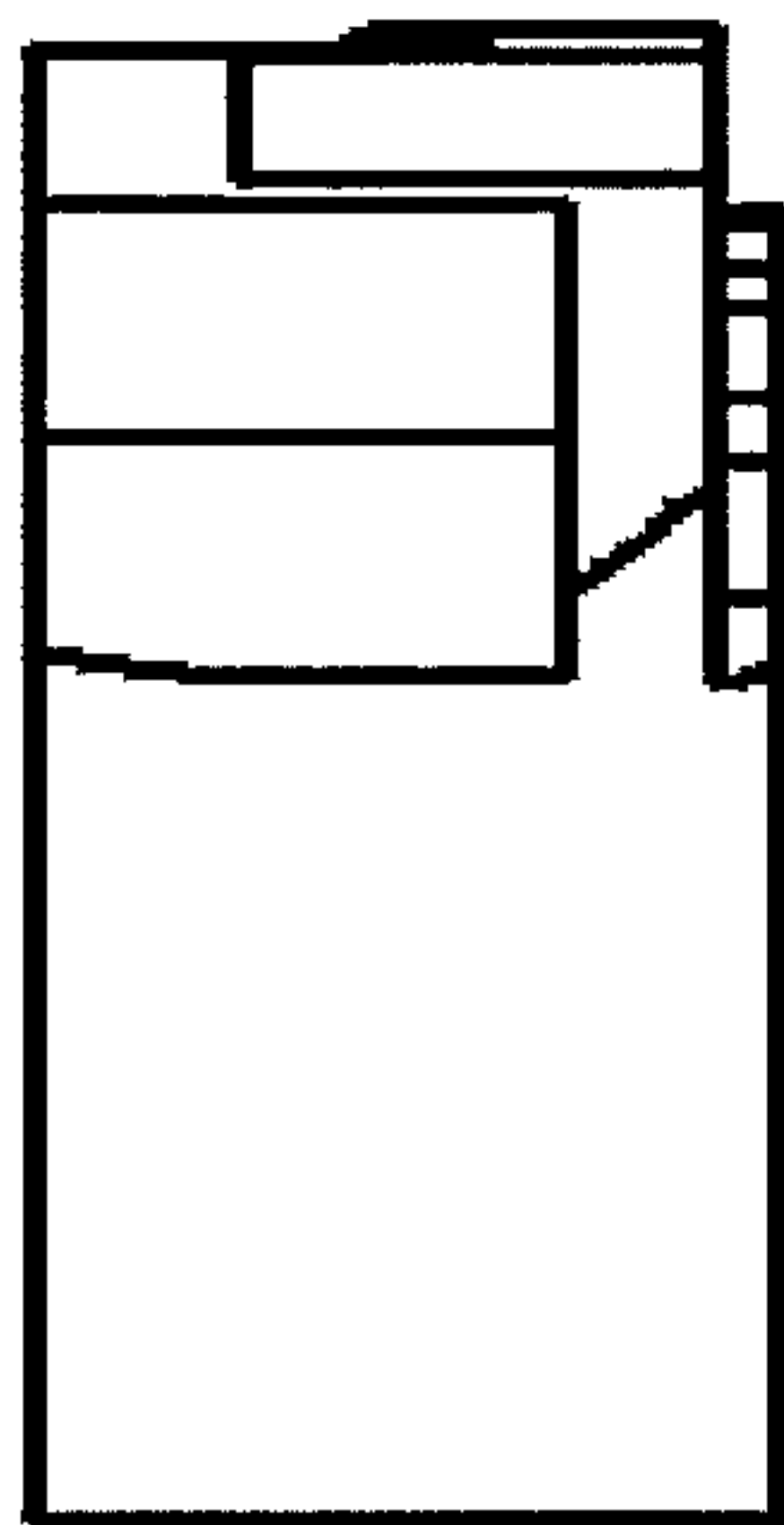
**FIG. 1**



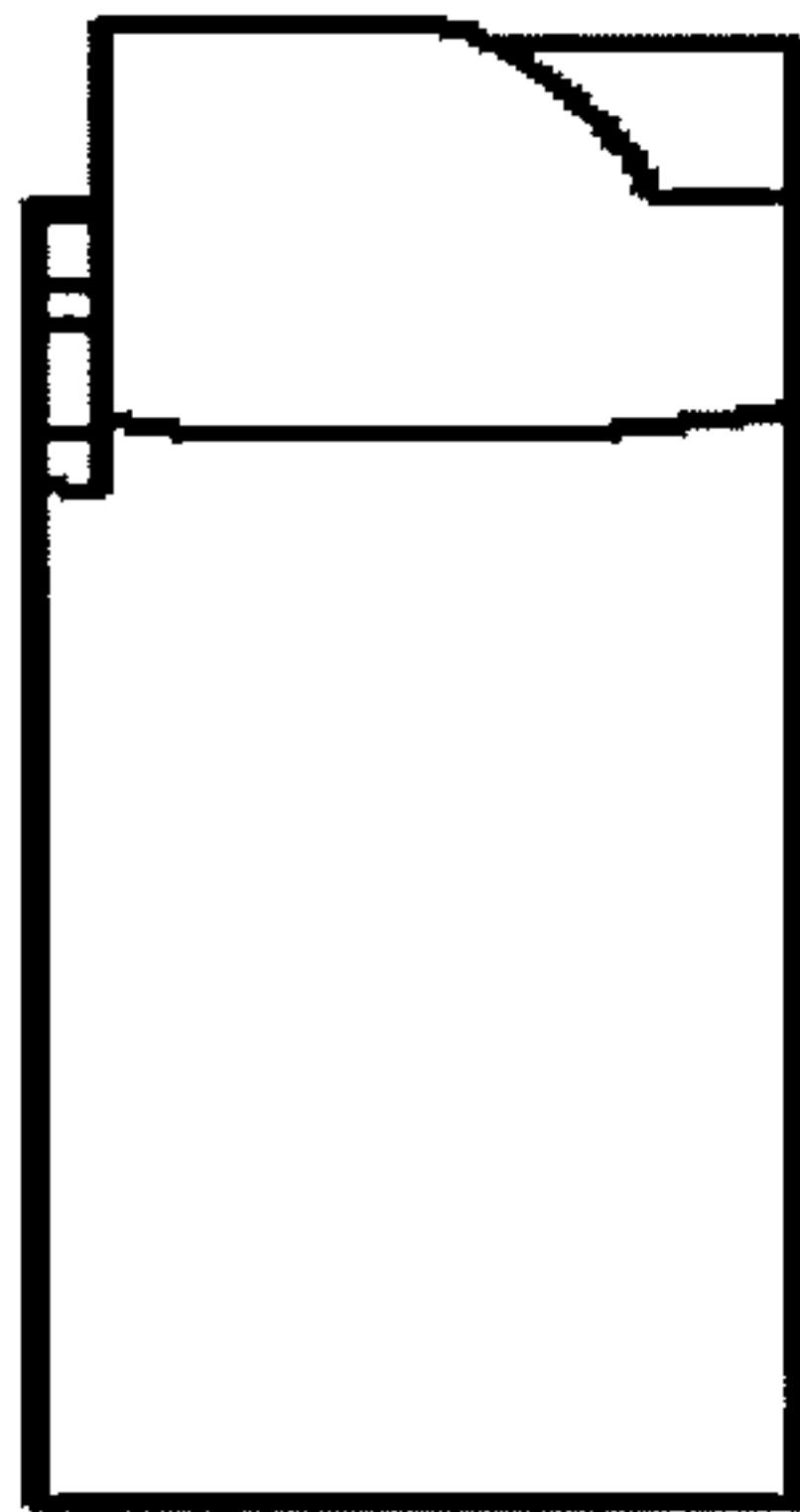
**FIG. 2**



**FIG. 3**



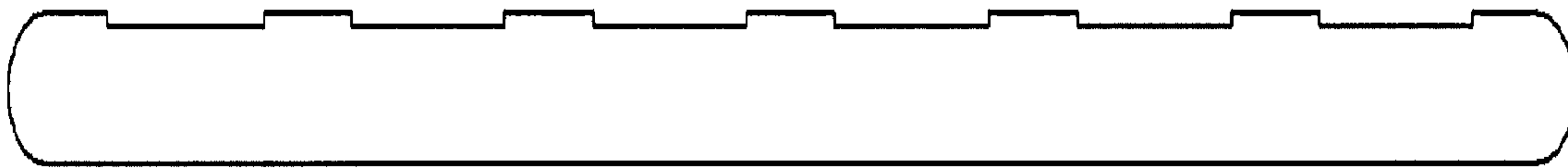
**FIG. 4**



***FIG. 5***



**FIG. 6**



***FIG. 7***



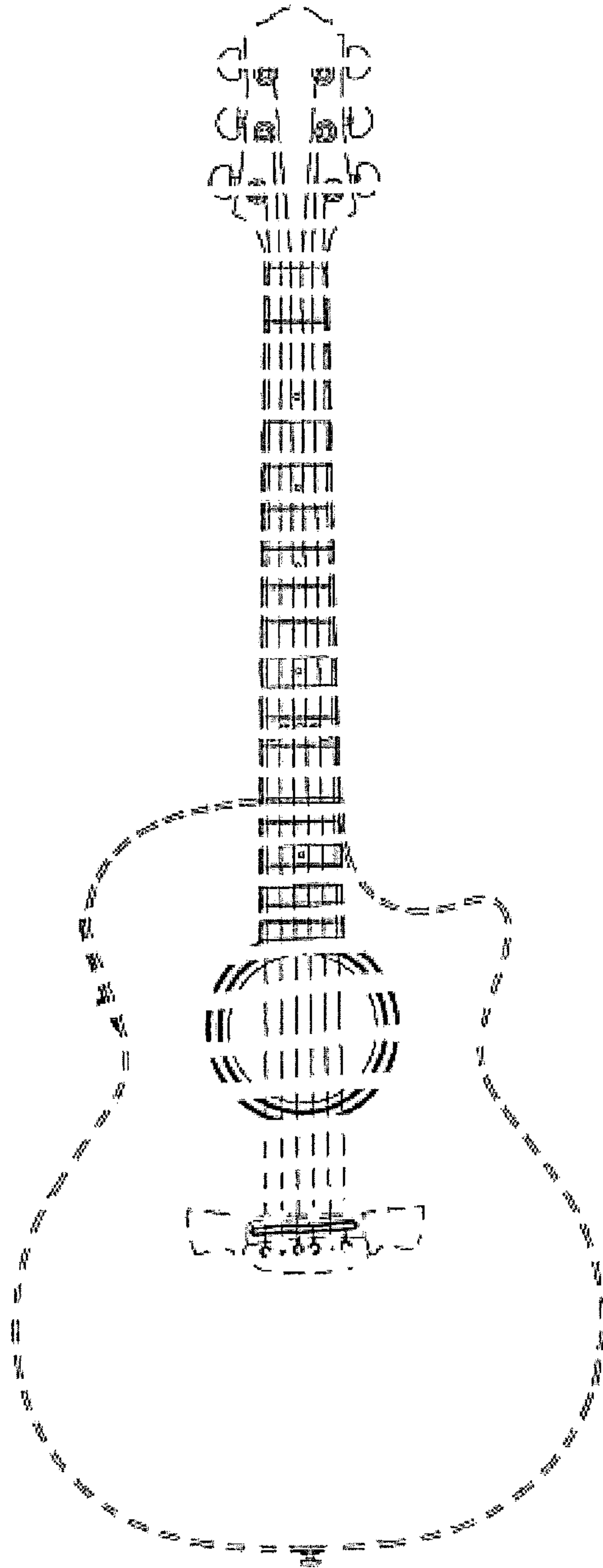


FIG. 8

UNITED STATES PATENT AND TRADEMARK OFFICE  
**CERTIFICATE OF CORRECTION**

PATENT NO. : D709,123 S  
APPLICATION NO. : 29/435859  
DATED : July 15, 2014  
INVENTOR(S) : In Jae Park

Page 1 of 1

It is certified that error appears in the above-identified patent and that said Letters Patent is hereby corrected as shown below:

On the title page item (73) insert Assignee name: -- SUNGEUM MUSIC CO., LTD., Republic of Korea --

Signed and Sealed this  
Twenty-first Day of April, 2015



Michelle K. Lee  
*Director of the United States Patent and Trademark Office*