

US00D709119S

(12) **United States Design Patent**  
**Kim et al.**

(10) **Patent No.:** **US D709,119 S**

(45) **Date of Patent:** **\*\* \*Jul. 15, 2014**

(54) **CAMERA LENS**

(71) Applicant: **Samsung Electronics Co., Ltd.**,  
Suwon-Si (KR)

(72) Inventors: **Joo-Hyung Kim**, Seoul (KR); **Min-ki Ham**, Seoul (KR)

(73) Assignee: **Samsung Electronics Co., Ltd.**,  
Gyeonggi-do (KR)

(\*) Notice: This patent is subject to a terminal disclaimer.

(\*\*) Term: **14 Years**

(21) Appl. No.: **29/451,791**

(22) Filed: **Apr. 9, 2013**

(30) **Foreign Application Priority Data**

Oct. 9, 2012 (KR) ..... 30-2012-0047956

(51) **LOC (10) Cl.** ..... **16-05**

(52) **U.S. Cl.**  
USPC ..... **D16/219**

(58) **Field of Classification Search**  
USPC ..... D16/134, 136, 200, 202, 218, 219;  
348/373, 374; 359/826-828;  
396/529-535, 540, 541

See application file for complete search history.

(56) **References Cited**

U.S. PATENT DOCUMENTS

D223,215	S	*	3/1972	Takata	.....	D16/134
4,063,264	A	*	12/1977	Ando et al.	.....	396/531
D248,766	S	*	8/1978	Arai	.....	D16/134
D446,232	S	*	8/2001	Watanabe	.....	D16/219
D566,158	S	*	4/2008	Yasutomi	.....	D16/219
D574,026	S	*	7/2008	Haga	.....	D16/219
D670,751	S	*	11/2012	Koyama et al.	.....	D16/219
D684,207	S	*	6/2013	Kim	.....	D16/219
D684,208	S	*	6/2013	Lee	.....	D16/219

\* cited by examiner

*Primary Examiner* — Adir Aronovich

(74) *Attorney, Agent, or Firm* — Harness, Dickey & Pierce, P.L.C.

(57) **CLAIM**

The ornamental design for a camera lens, as shown and described.

**DESCRIPTION**

FIG. 1 is a front, top and left side perspective view of a camera lens showing our new design;  
FIG. 2 is a front elevational view thereof;  
FIG. 3 is a front elevational view thereof;  
FIG. 4 is a left side elevational view thereof;  
FIG. 5 is a right side elevational view thereof;  
FIG. 6 is a top plan view thereof;  
FIG. 7 is a bottom plan view thereof; and,  
FIG. 8 is an exploded front, top and left side perspective view of FIG. 1.

**1 Claim, 5 Drawing Sheets**

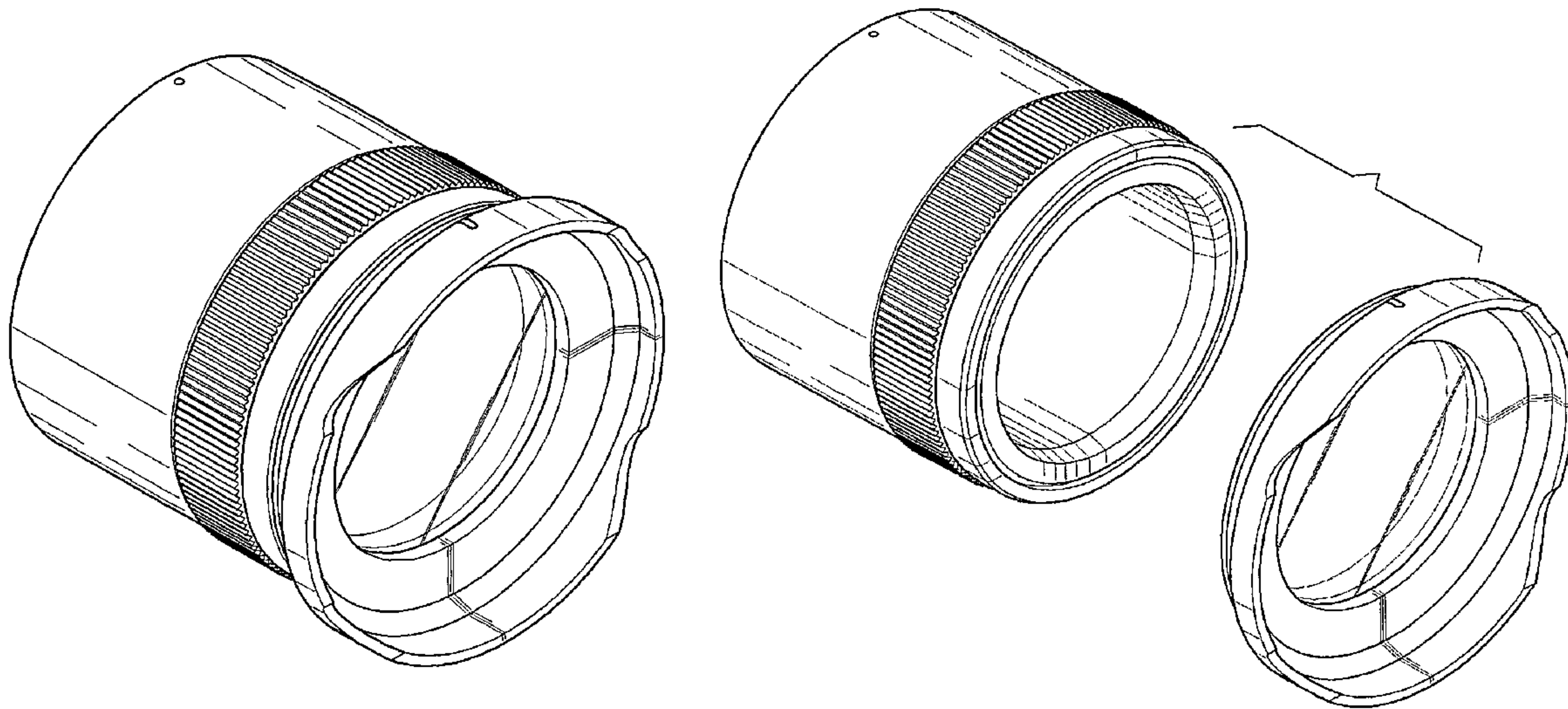


FIG. 1

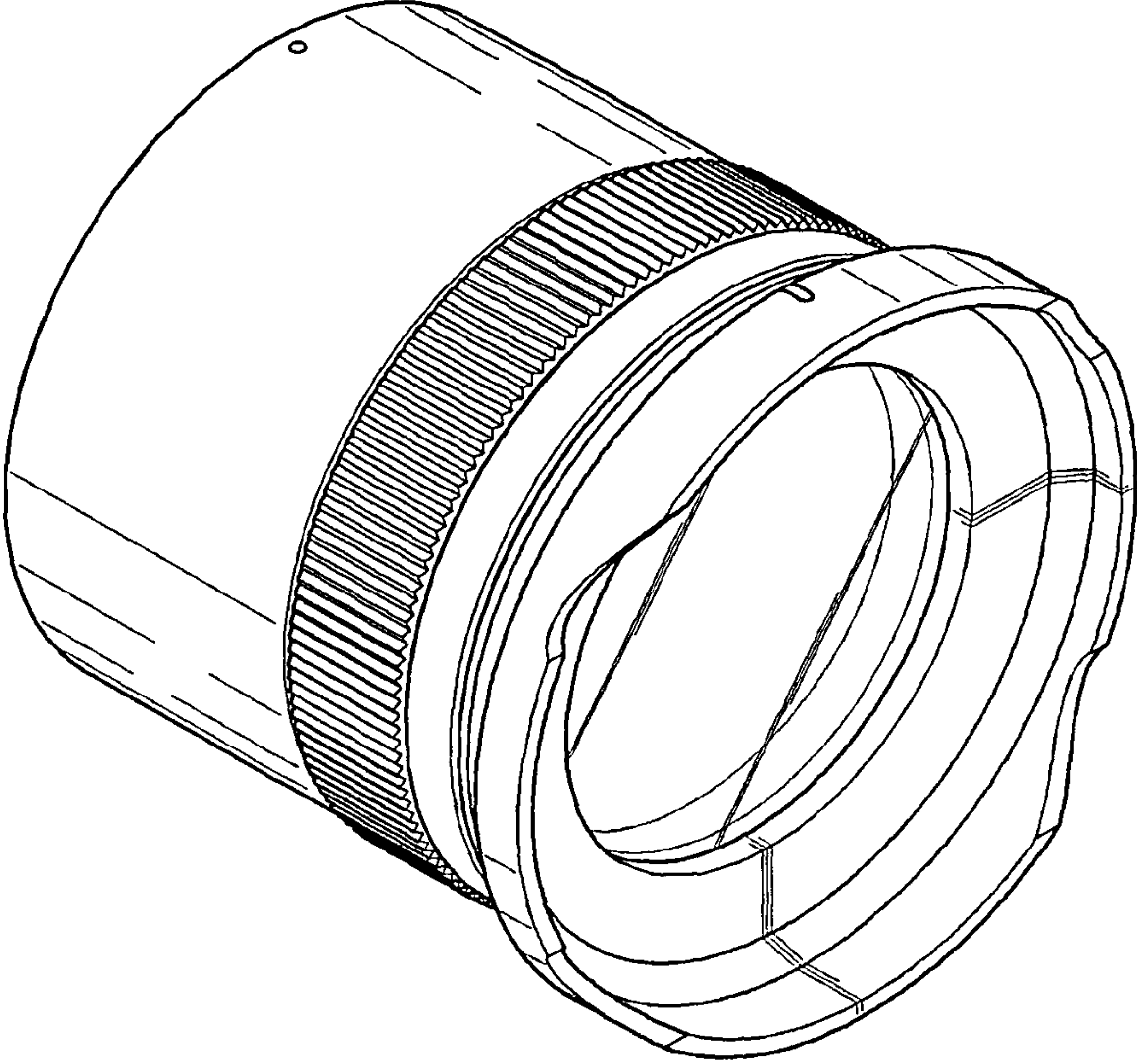


FIG. 2

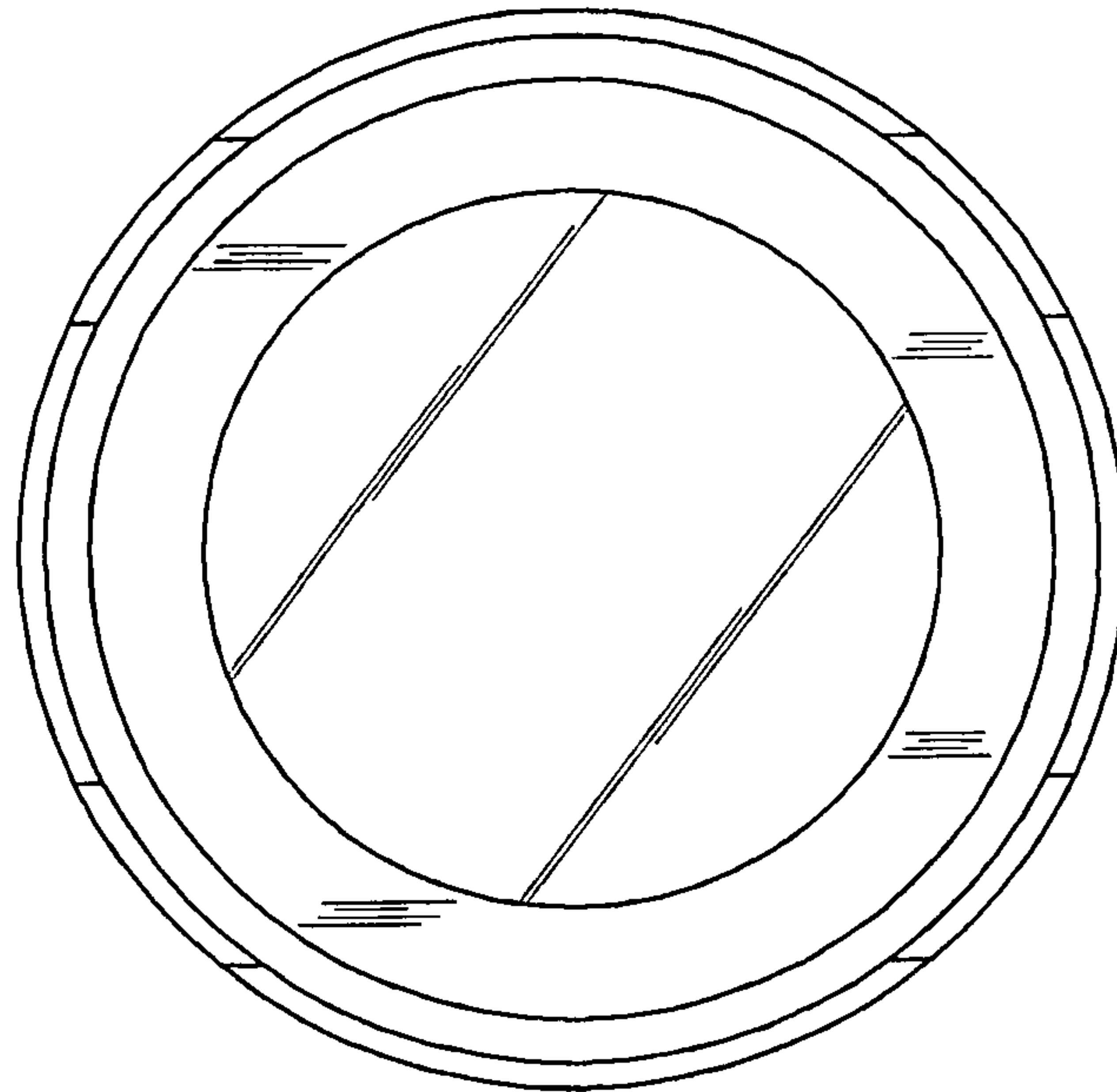


FIG. 3

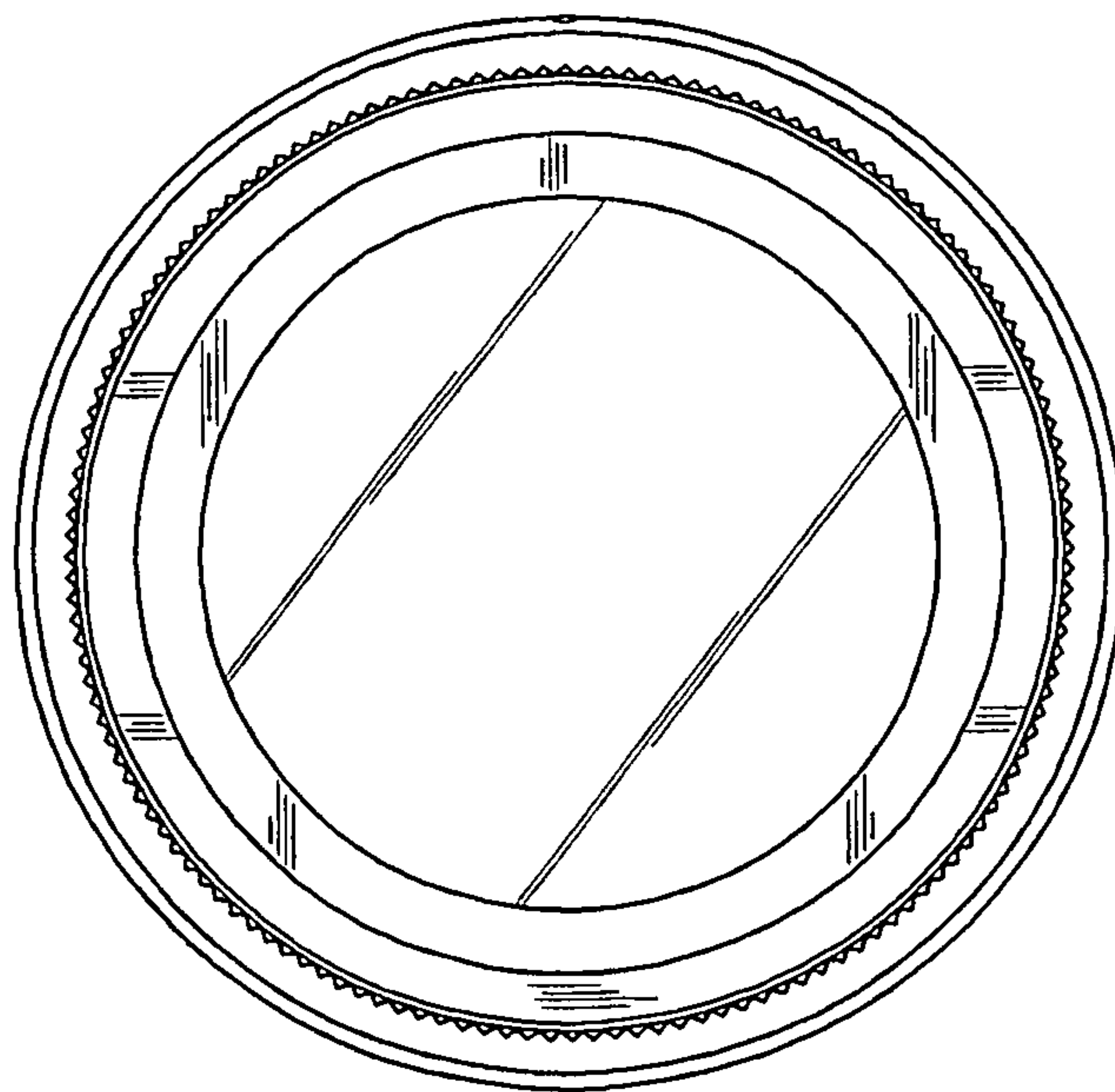


FIG. 4

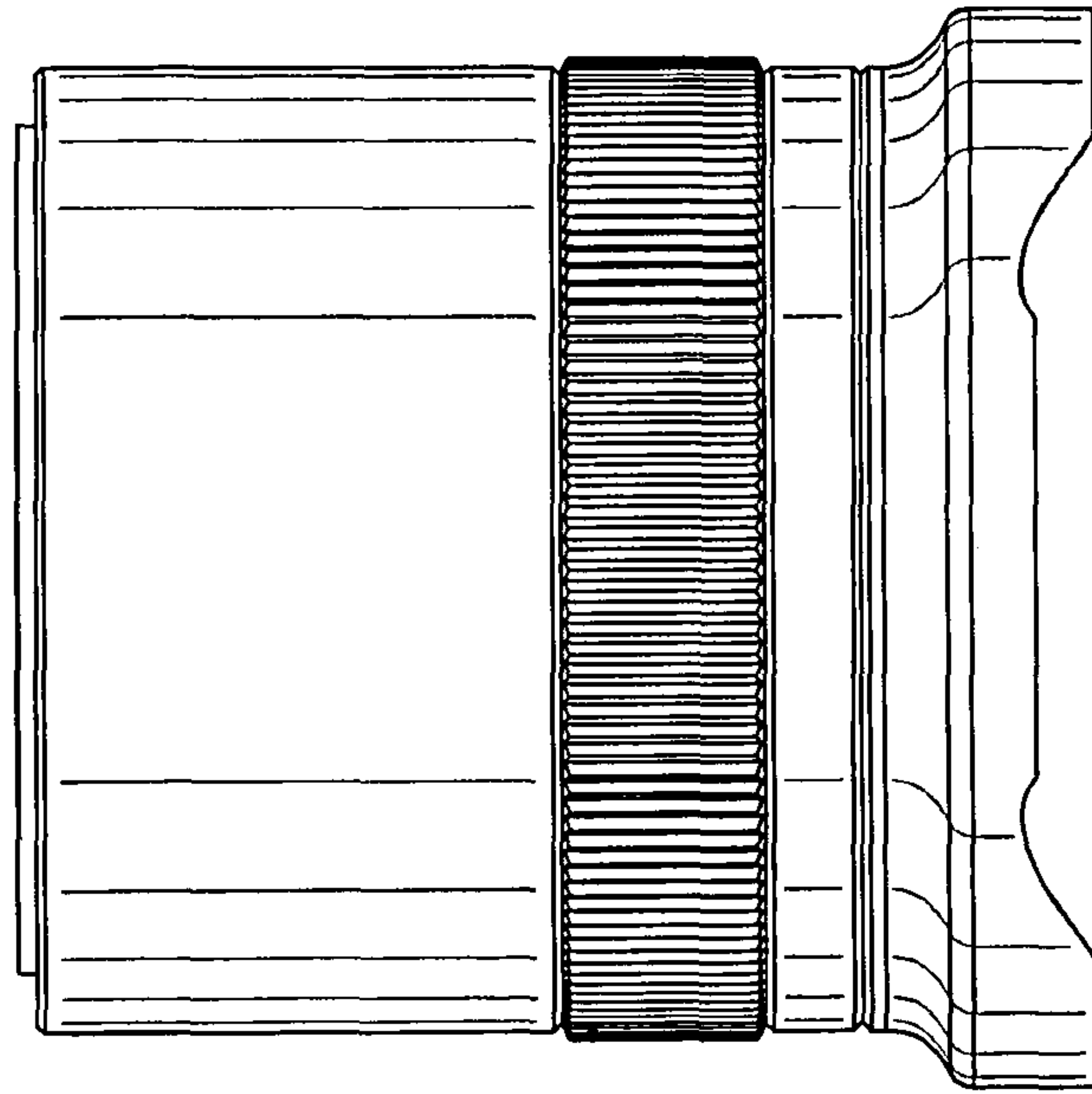


FIG. 5

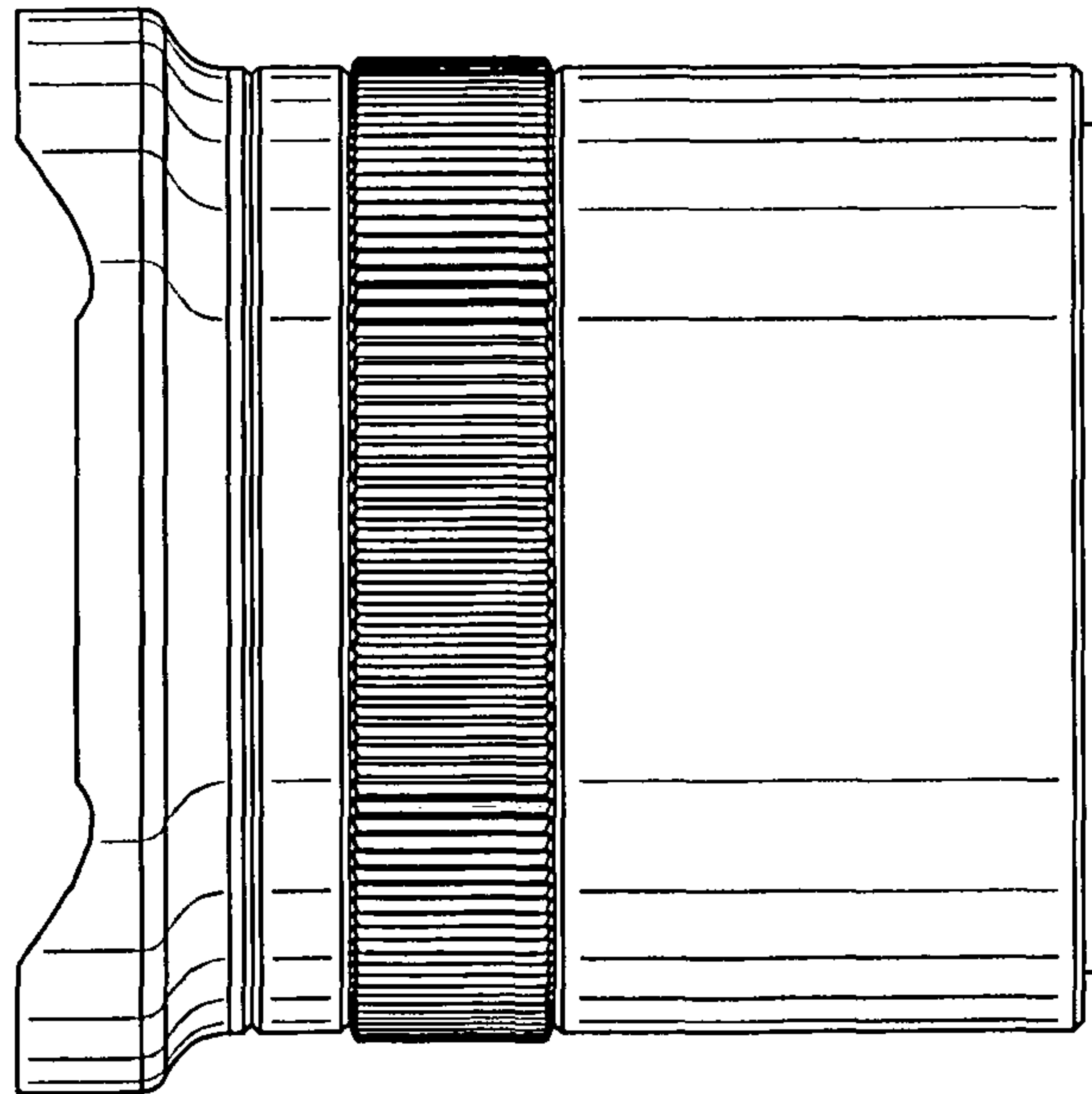




FIG. 6

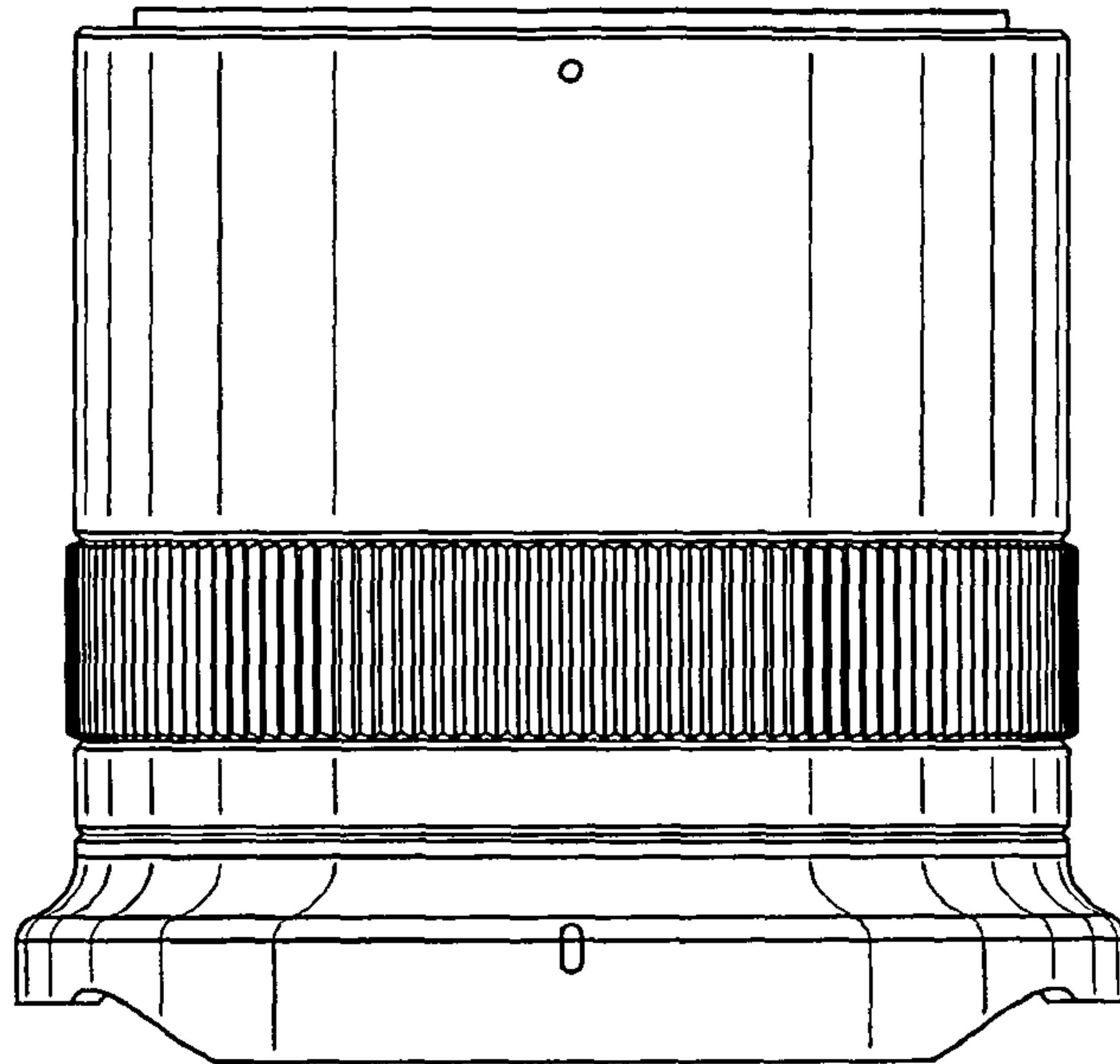


FIG. 7

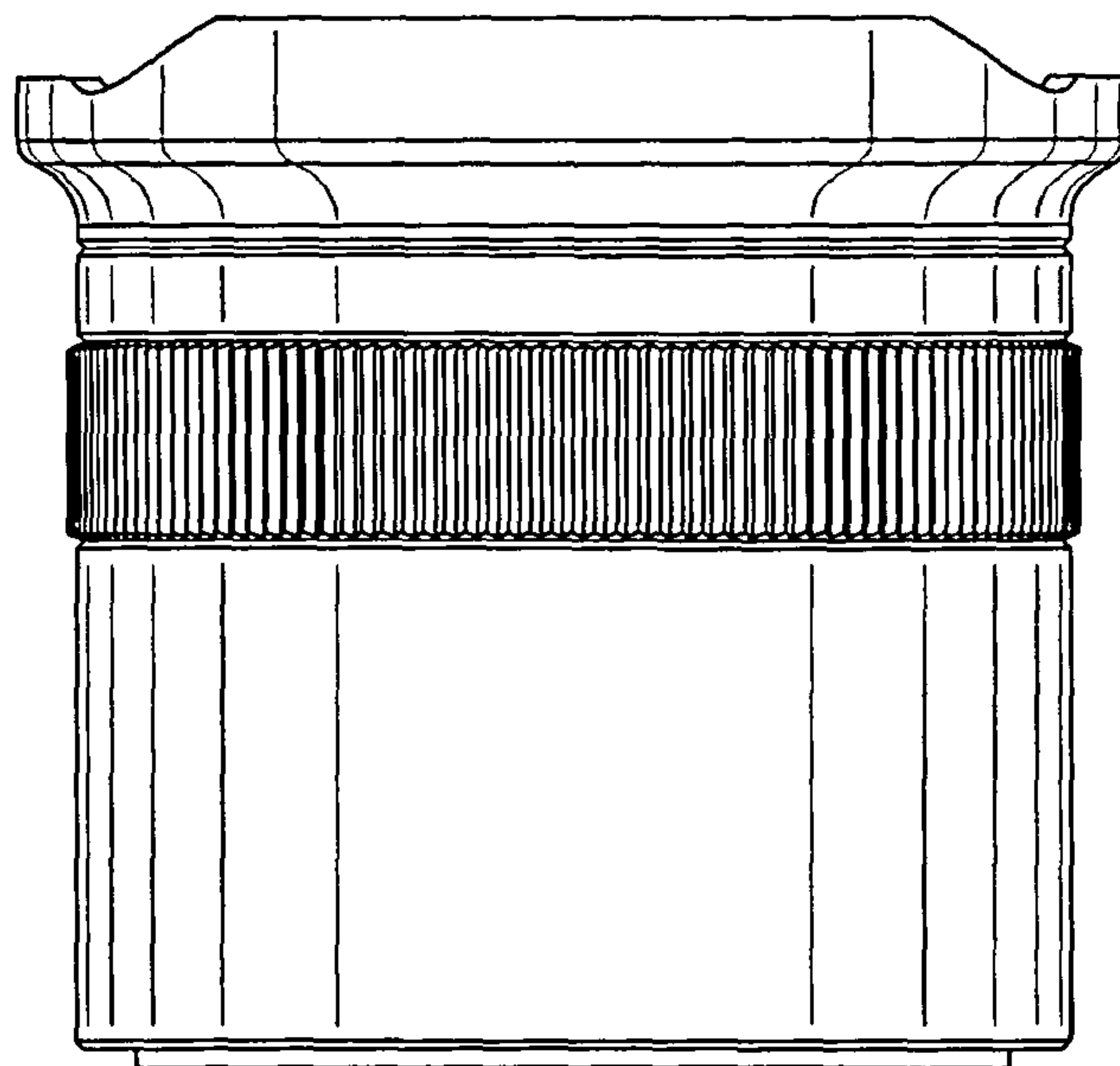


FIG. 8

