



US00D709117S

(12) **United States Design Patent**
Gan et al.

(10) **Patent No.:** **US D709,117 S**

(45) **Date of Patent:** **** Jul. 15, 2014**

(54) **CAMERA**

(71) Applicant: **Creative Technology Ltd.**, Singapore
(SG)

(72) Inventors: **Huey Ying Gan**, Singapore (SG);
Hao Yu Sheng, Singapore (SG)

(73) Assignee: **Creative Technology Ltd**, Singapore
(SG)

(**) Term: **14 Years**

(21) Appl. No.: **29/447,726**

(22) Filed: **Mar. 6, 2013**

(30) **Foreign Application Priority Data**

Sep. 7, 2012 (SG) D2012/1067/A

(51) **LOC (10) Cl.** **16-01**

(52) **U.S. Cl.**
USPC **D16/202**; D16/242

(58) **Field of Classification Search**
CPC G03B 17/02; G03B 19/04; G03B 17/56;
G03B 17/04; G03B 15/03; H04N 2101/00;
H04N 2007/145; H04N 7/141; H04N 7/142;
H04N 7/147; H04N 7/148; H04N 7/15;
H04N 7/152
USPC D16/200, 202–203, 208, 218, 219, 242;
248/187.1; 348/14.01–14.6, 143, 148,
348/151, 373–376; 396/419, 427, 428, 535,
396/539–541

See application file for complete search history.

(56) **References Cited**

U.S. PATENT DOCUMENTS

D550,266	S	*	9/2007	Lau	D16/202
7,503,709	B2	*	3/2009	Liang	396/428
D641,388	S	*	7/2011	Shih et al.	D16/202
D654,942	S	*	2/2012	Khamsepoor et al.	D16/202
D657,809	S	*	4/2012	Harden et al.	D16/202
D665,439	S	*	8/2012	Khamsepoor et al.	D16/202
D665,441	S	*	8/2012	McManigal	D16/218
D675,660	S	*	2/2013	Su	D16/202
D678,380	S	*	3/2013	Pardo et al.	D16/202
D680,144	S	*	4/2013	Tsai	D16/202
D680,569	S	*	4/2013	Lee et al.	D16/202
D682,332	S	*	5/2013	Wang et al.	D16/202
D685,015	S	*	6/2013	Wang et al.	D16/202
8,475,059	B2	*	7/2013	Khamsepoor et al.	396/428
8,593,567	B2	*	11/2013	Xiao	348/373
2012/0236195	A1	*	9/2012	Chang	348/333.06

* cited by examiner

Primary Examiner — Adir Aronovich

Assistant Examiner — Ramzi Almatrahi

(74) *Attorney, Agent, or Firm* — Russell Swerdon; Desmond Gean

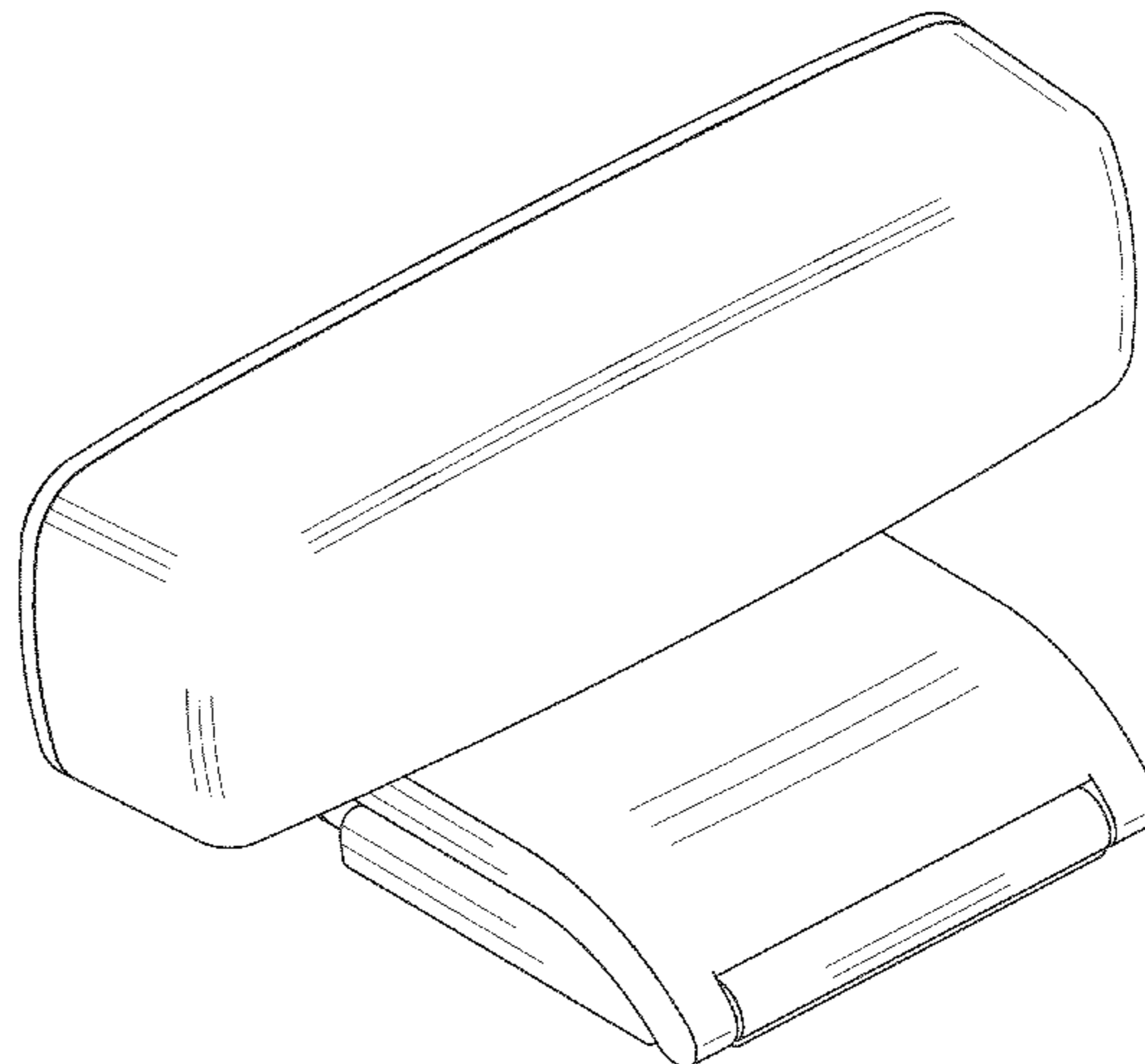
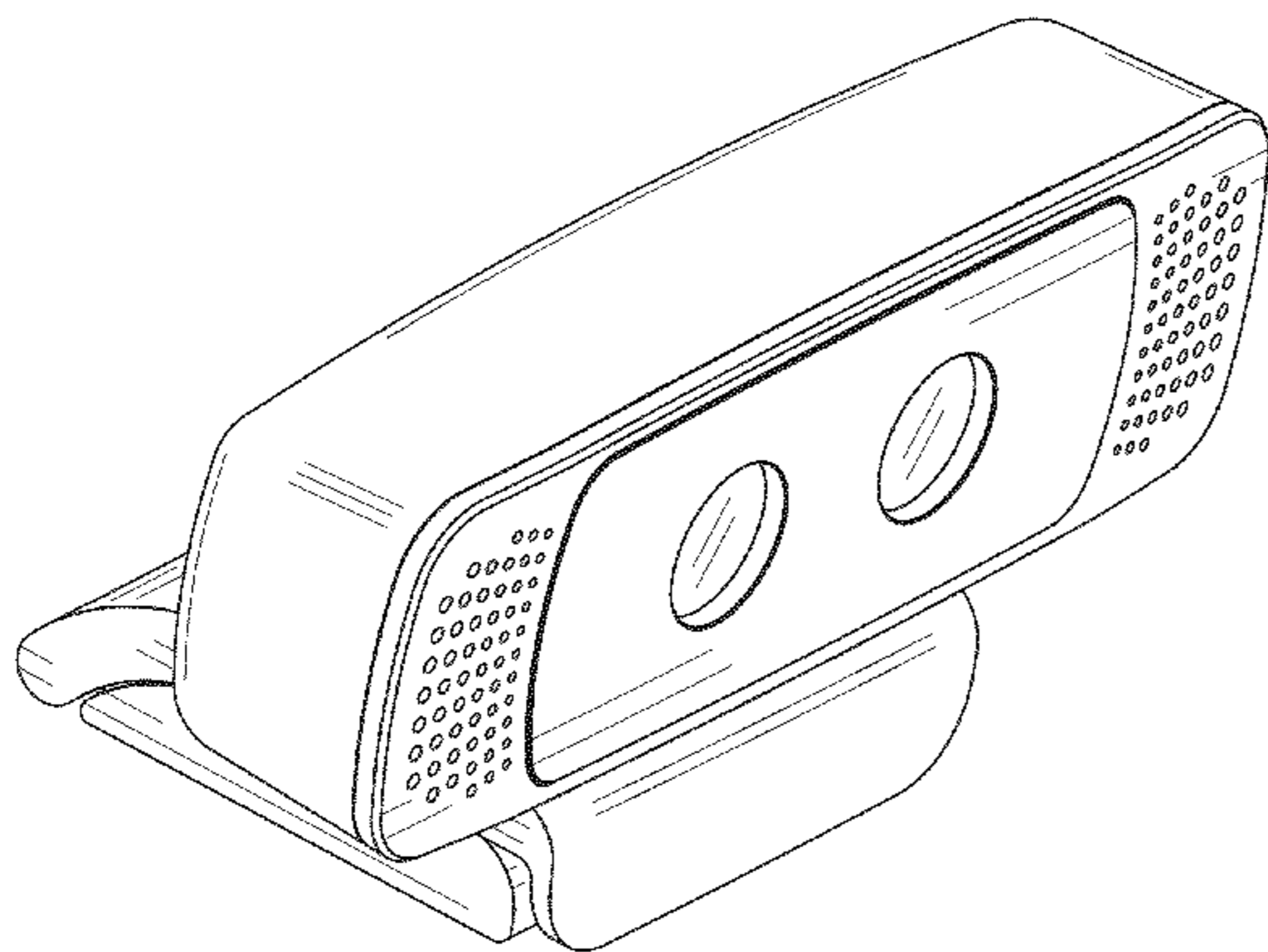
(57) **CLAIM**

The ornamental design for a camera, substantially as shown and described.

DESCRIPTION

FIG. 1 is a front top left side perspective view of a camera showing our new design;
FIG. 2 is a rear top right side perspective view thereof;
FIG. 3 is a front elevational view thereof;
FIG. 4 is a rear elevational view thereof;
FIG. 5 is left side elevational view thereof;
FIG. 6 is a right side elevational view thereof;
FIG. 7 is a top plan view thereof; and,
FIG. 8 is a bottom plan view thereof.

1 Claim, 5 Drawing Sheets



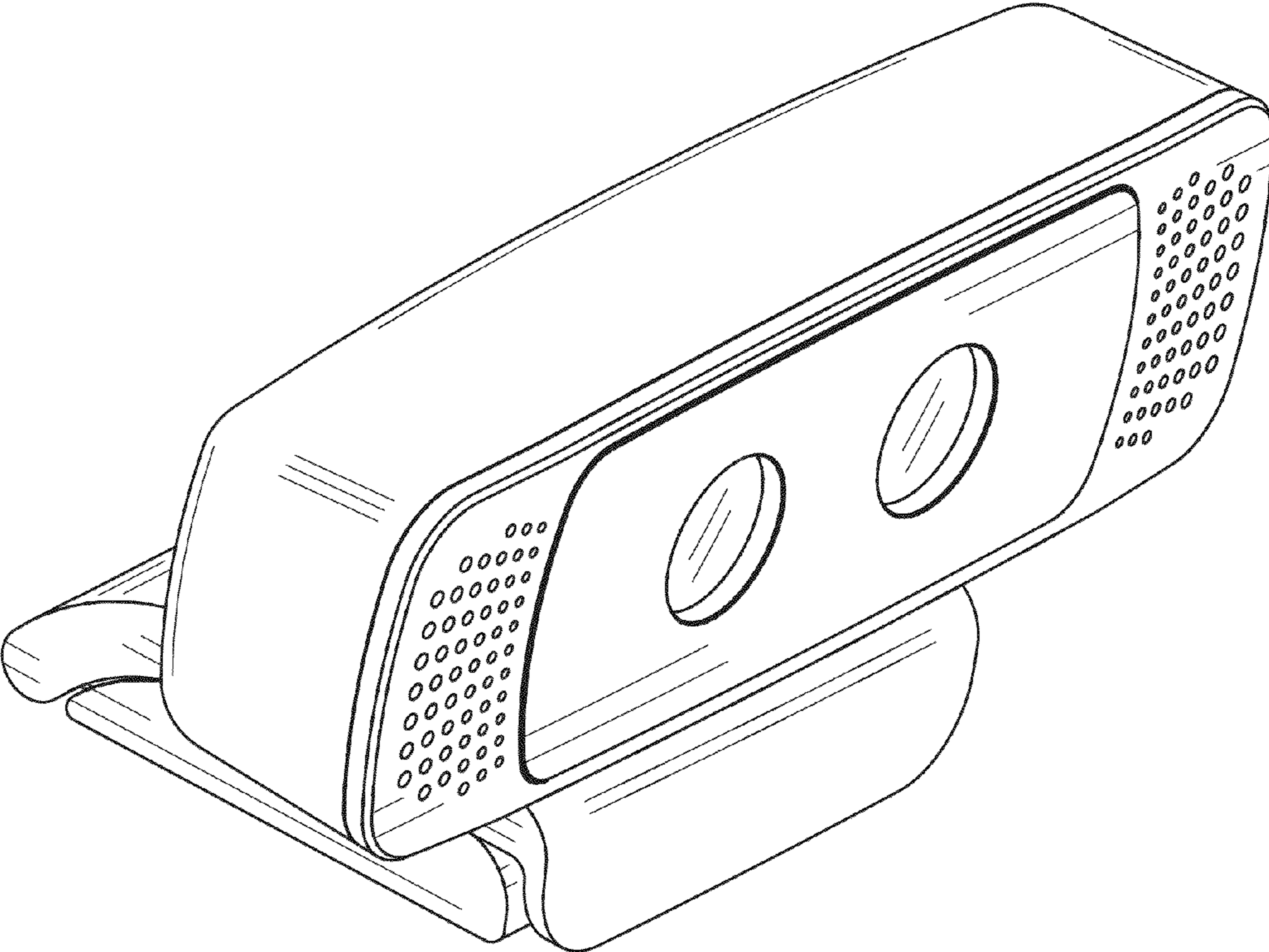


FIG. 1

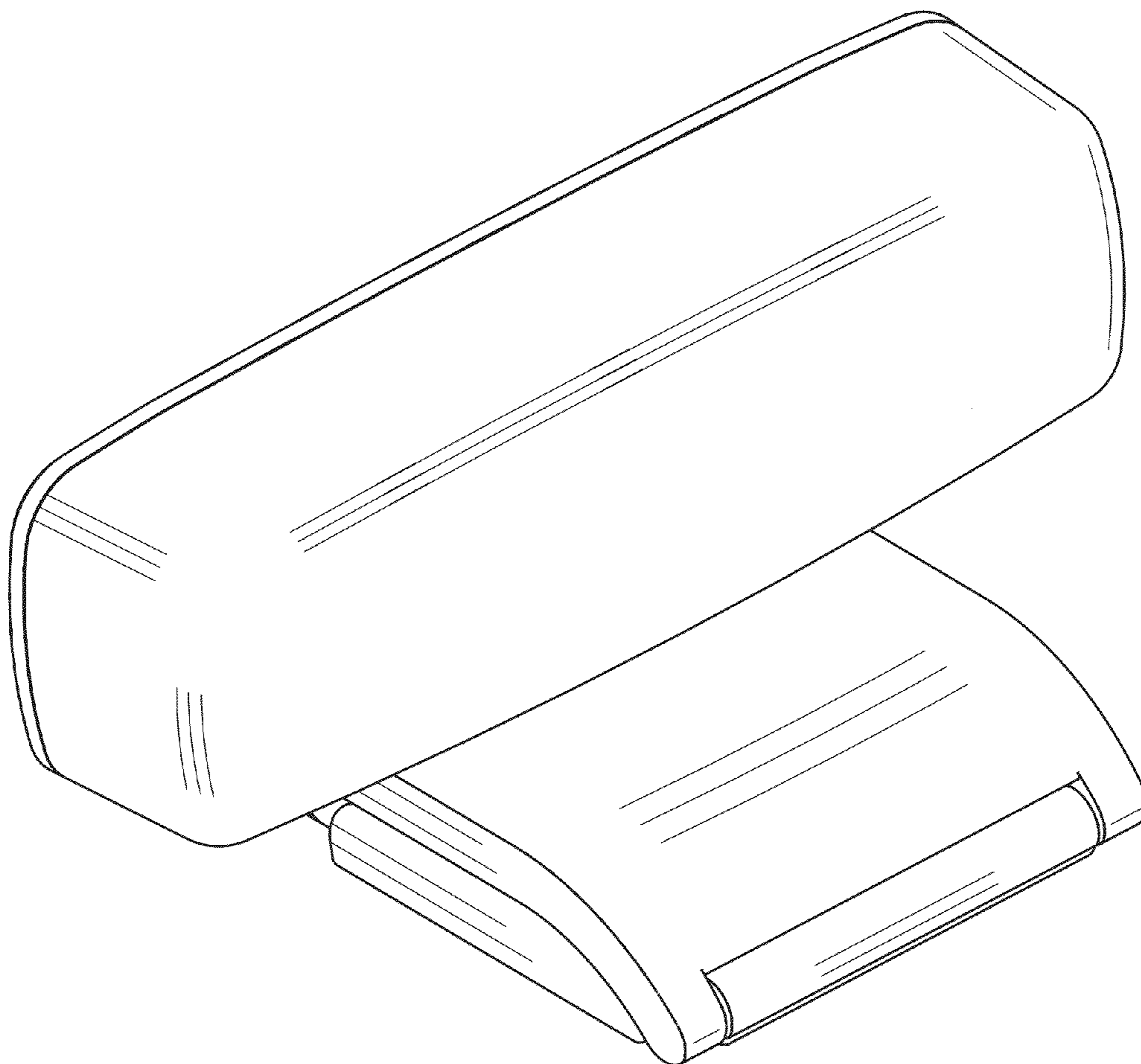


FIG. 2

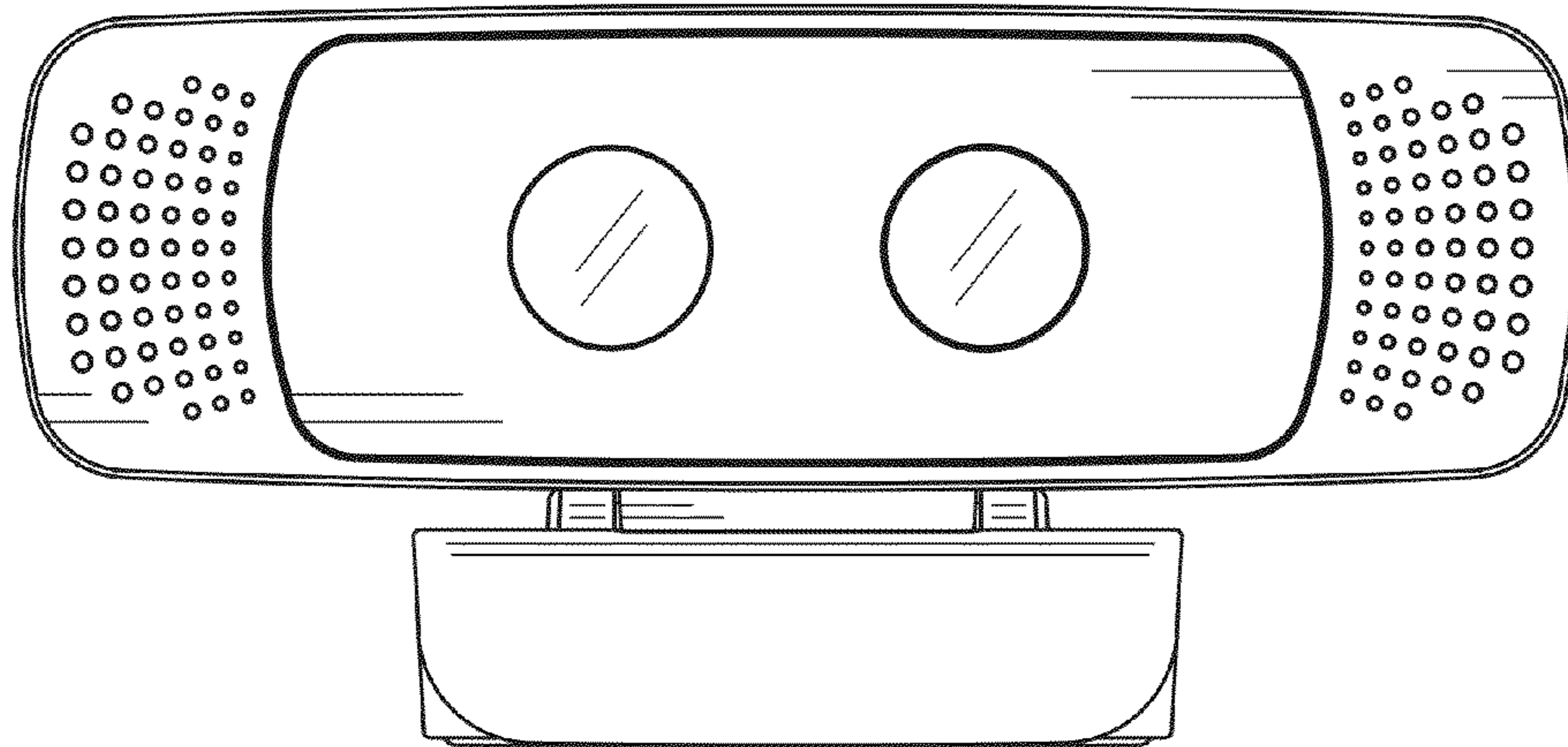


FIG. 3

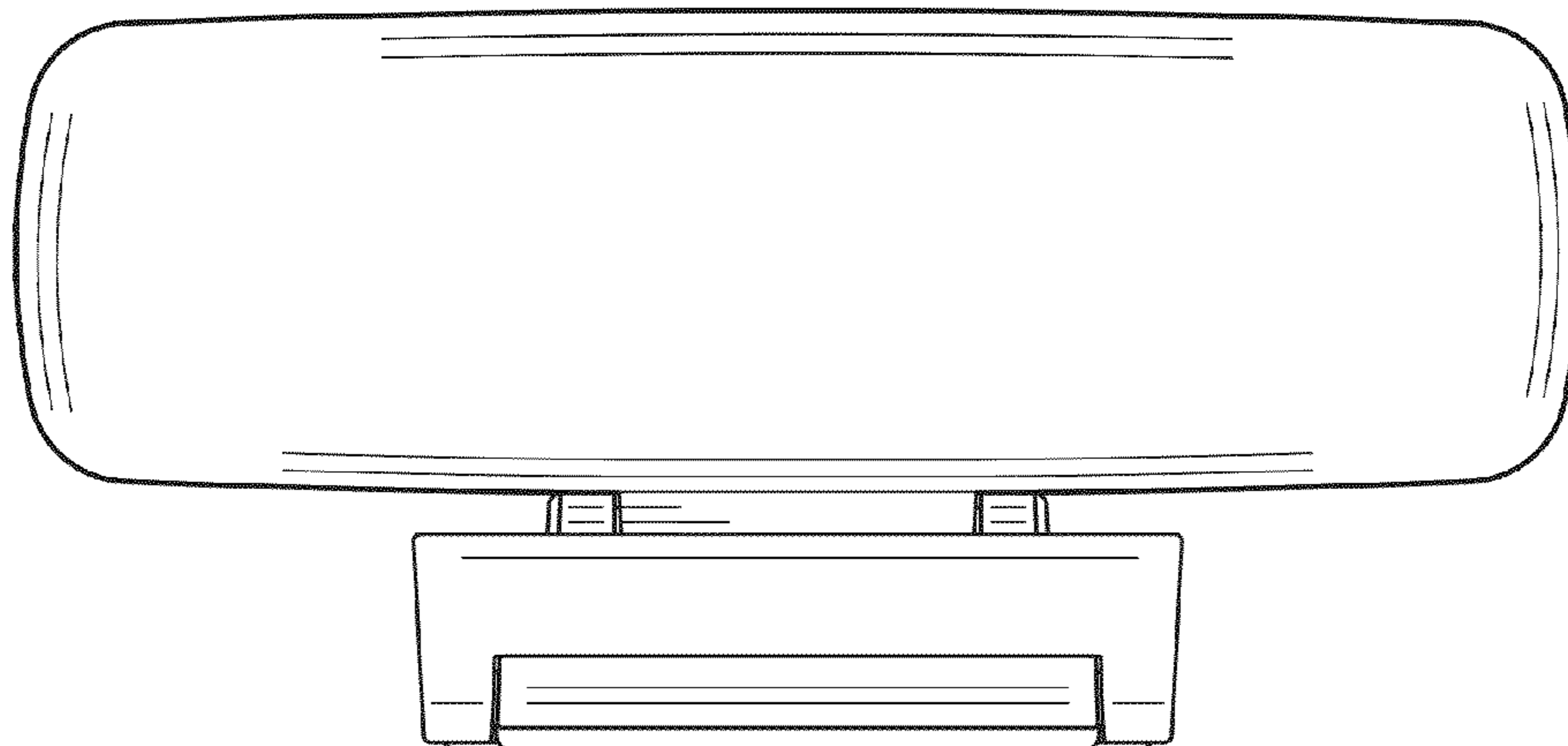


FIG. 4

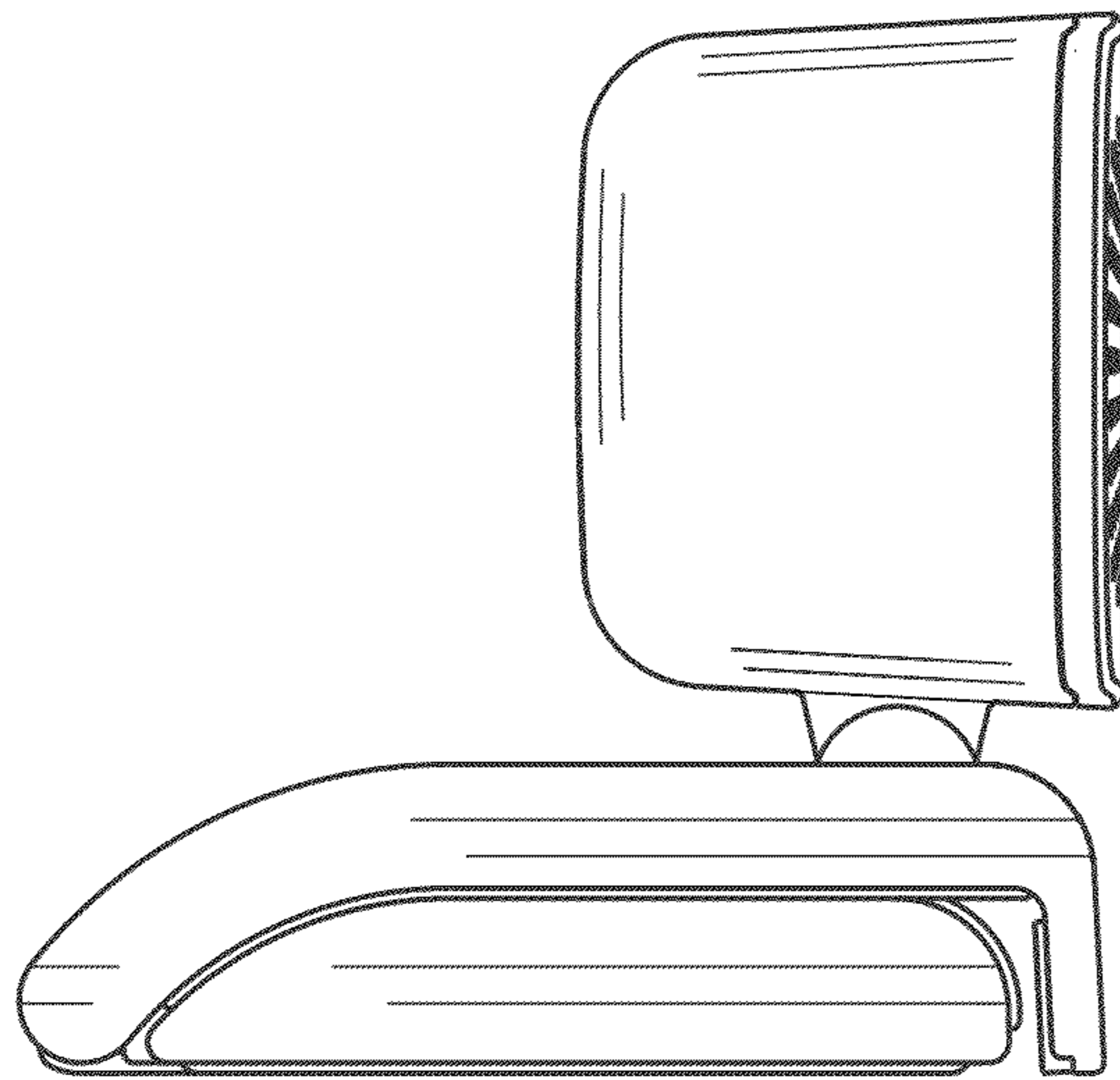


FIG. 5

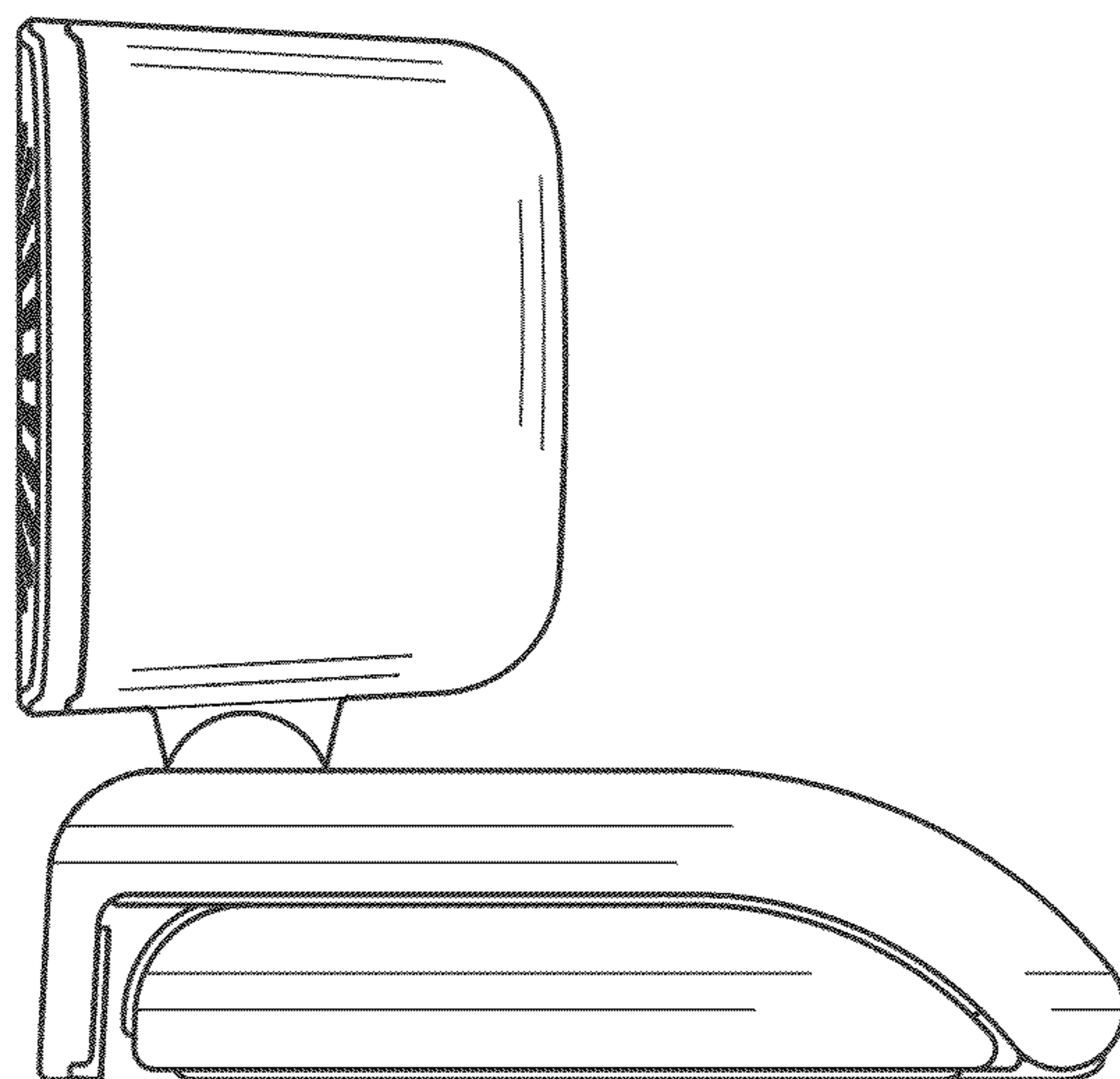


FIG. 6

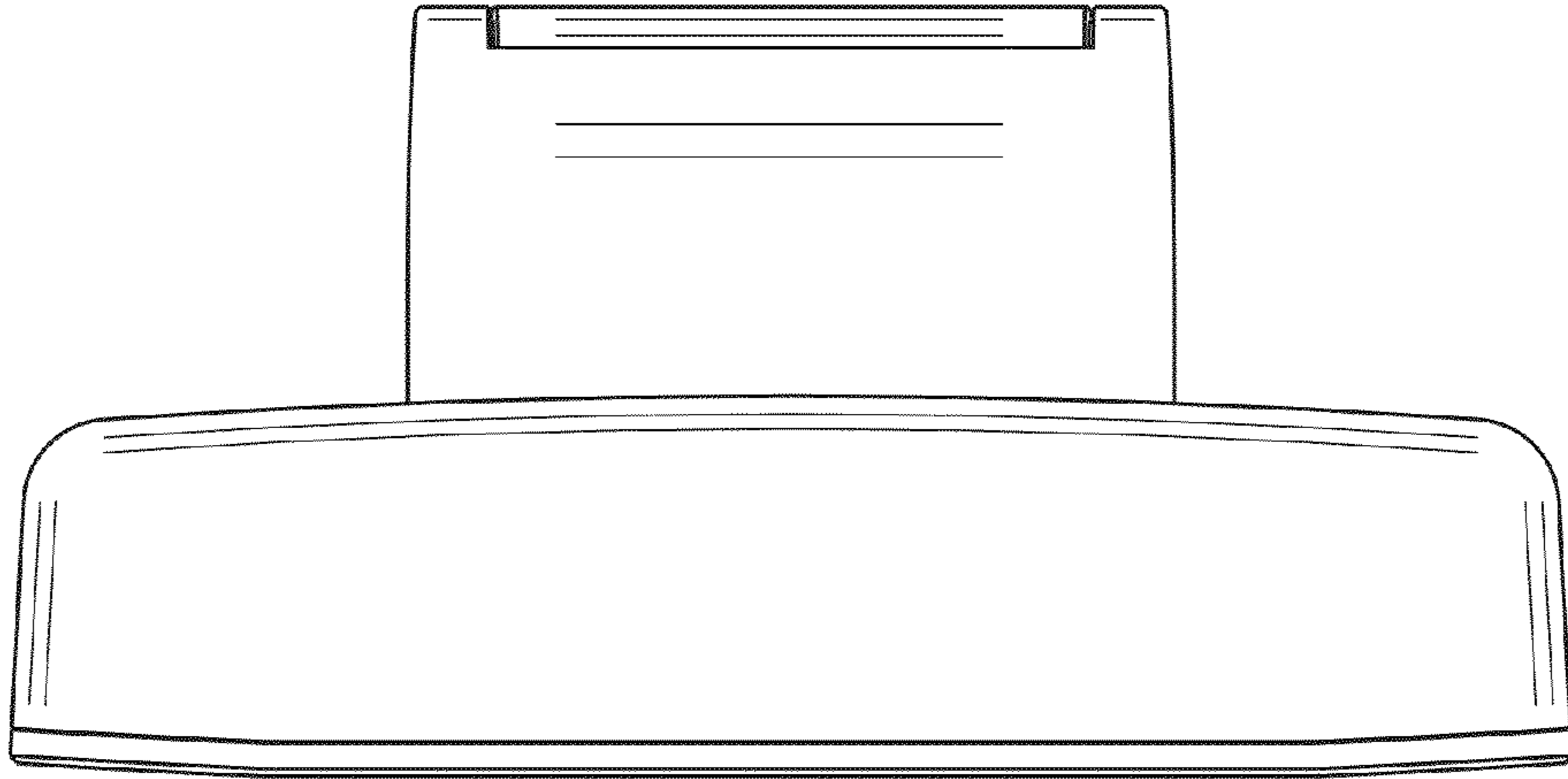


FIG. 7

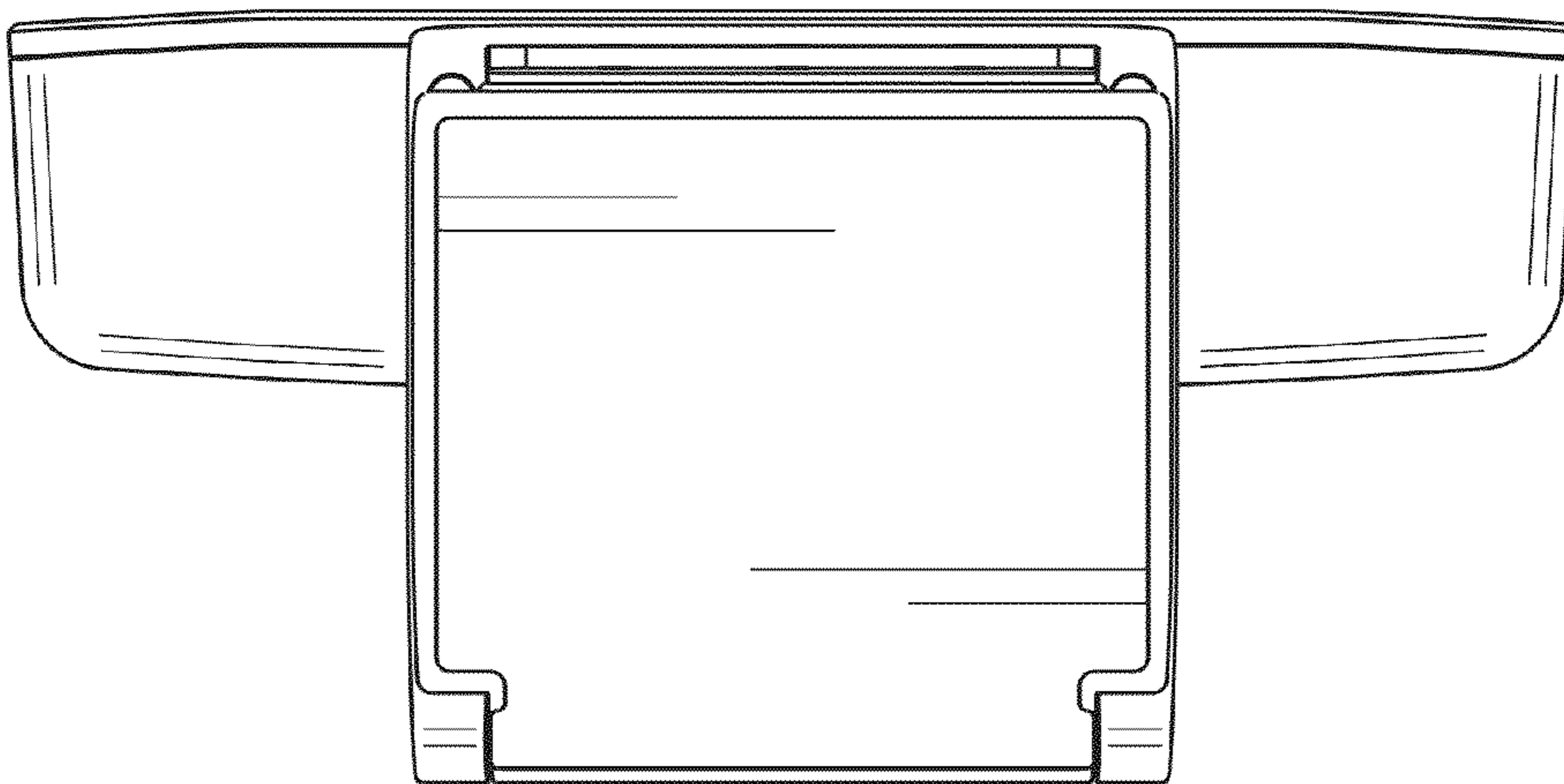


FIG. 8