

US00D709116S

(12) **United States Design Patent**  
**Drake**

(10) **Patent No.:** **US D709,116 S**  
(45) **Date of Patent:** **\*\* Jul. 15, 2014**

(54) **HANDLE FOR HAND-HELD ELECTRONIC VIDEO MAGNIFIER**

(71) Applicant: **Enhanced Vision Systems, Inc.**,  
Huntington Beach, CA (US)

(72) Inventor: **Scott R. Drake**, Lake Forest, CA (US)

(73) Assignee: **Enhanced Vision Systems, Inc.**,  
Huntington Beach, CA (US)

(\*\*) Term: **14 Years**

(21) Appl. No.: **29/460,546**

(22) Filed: **Jul. 11, 2013**

(51) **LOC (10) Cl.** ..... **16-06**

(52) **U.S. Cl.**  
USPC ..... **D16/136; D14/511**

(58) **Field of Classification Search**  
CPC ..... **G02B 27/02**  
USPC ..... **D16/136, 135, 130, 221, 231, 234, 235;**  
**D14/511, 496, 420, 422, 423, 368,**  
**D14/138 G, 426, 432; 359/802, 803–806,**  
**359/807–810, 814, 819, 824; 345/169;**  
**348/63; D21/333, 334, 330, 332;**  
**273/150, 148 B**

See application file for complete search history.

(56) **References Cited**

**U.S. PATENT DOCUMENTS**

1,443,558	A *	1/1923	Bloomfield et al.	40/518
D143,744	S *	2/1946	Miles	D16/135
D146,272	S *	1/1947	Van Dyke	D16/135
2,682,806	A *	7/1954	Gordenier	359/817
D212,391	S *	10/1968	Dietz	D10/103
3,522,672	A *	8/1970	Hinds	40/364
D220,724	S *	5/1971	St. Barth	D16/135
4,859,032	A *	8/1989	Feinbloom	359/802
D363,317	S *	10/1995	Sternberg et al.	D21/334
D426,860	S *	6/2000	Ho	D21/333

D501,861	S *	2/2005	Peter et al.	D16/130
7,336,295	B2 *	2/2008	Sukenari et al.	348/63
D566,651	S *	4/2008	Chan et al.	D13/123
D570,894	S *	6/2008	Dittmer et al.	D16/235
D637,218	S *	5/2011	Shih et al.	D16/130
D645,069	S *	9/2011	Stubel	D16/135
D649,995	S *	12/2011	Farenski et al.	D16/135
D666,249	S *	8/2012	Minchella Jennings et al.	D21/333
D690,343	S *	9/2013	Yip et al.	D16/135
D694,795	S *	12/2013	Hyers et al.	D16/135

\* cited by examiner

*Primary Examiner* — Paula Greene

(74) *Attorney, Agent, or Firm* — Vista IP Law Group LLP

(57) **CLAIM**

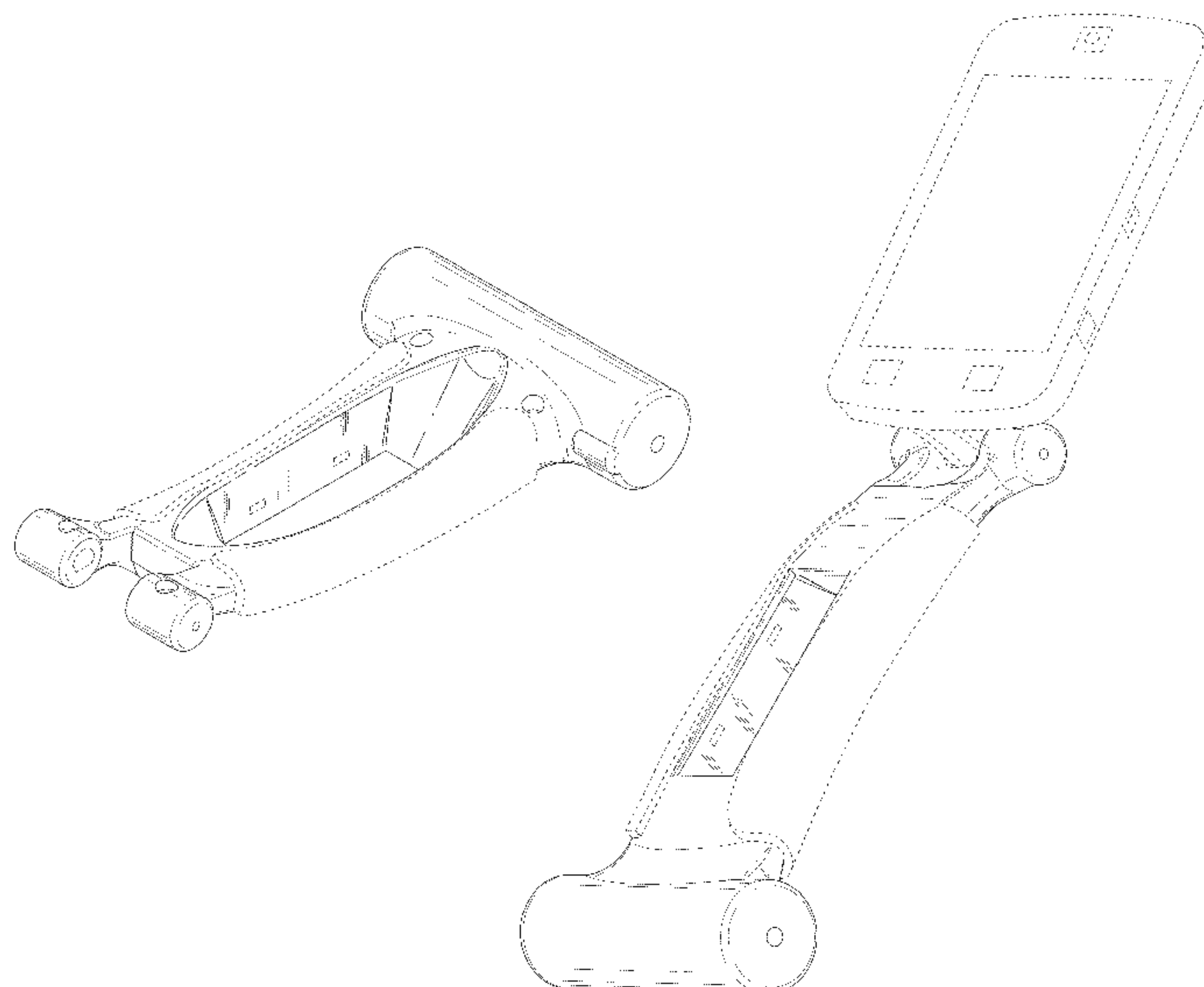
The ornamental design for a handle for hand-held electronic video magnifier, as shown and described.

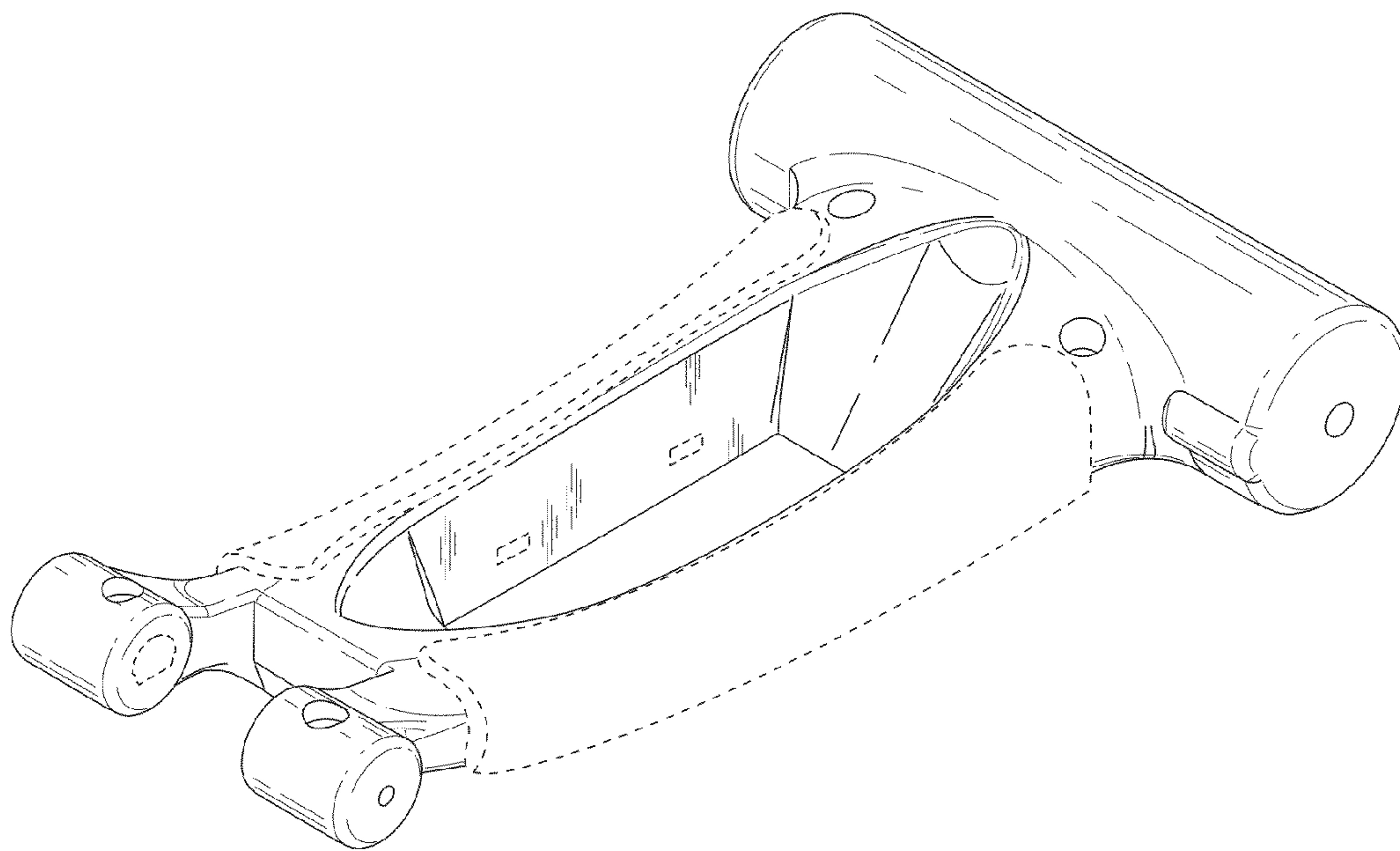
**DESCRIPTION**

FIG. 1 is a bottom perspective view of a handle for hand-held electronic video magnifier showing the new design; FIG. 2 is a top perspective view thereof; FIG. 3 is a front view thereof; FIG. 4 is a back view thereof; FIG. 5 is a right side view thereof; FIG. 6 is a left side view thereof; FIG. 7 is a bottom view thereof; FIG. 8 is a top view thereof; and, FIG. 9 is a perspective view thereof, with a hand-held electronic video magnifier attached thereto.

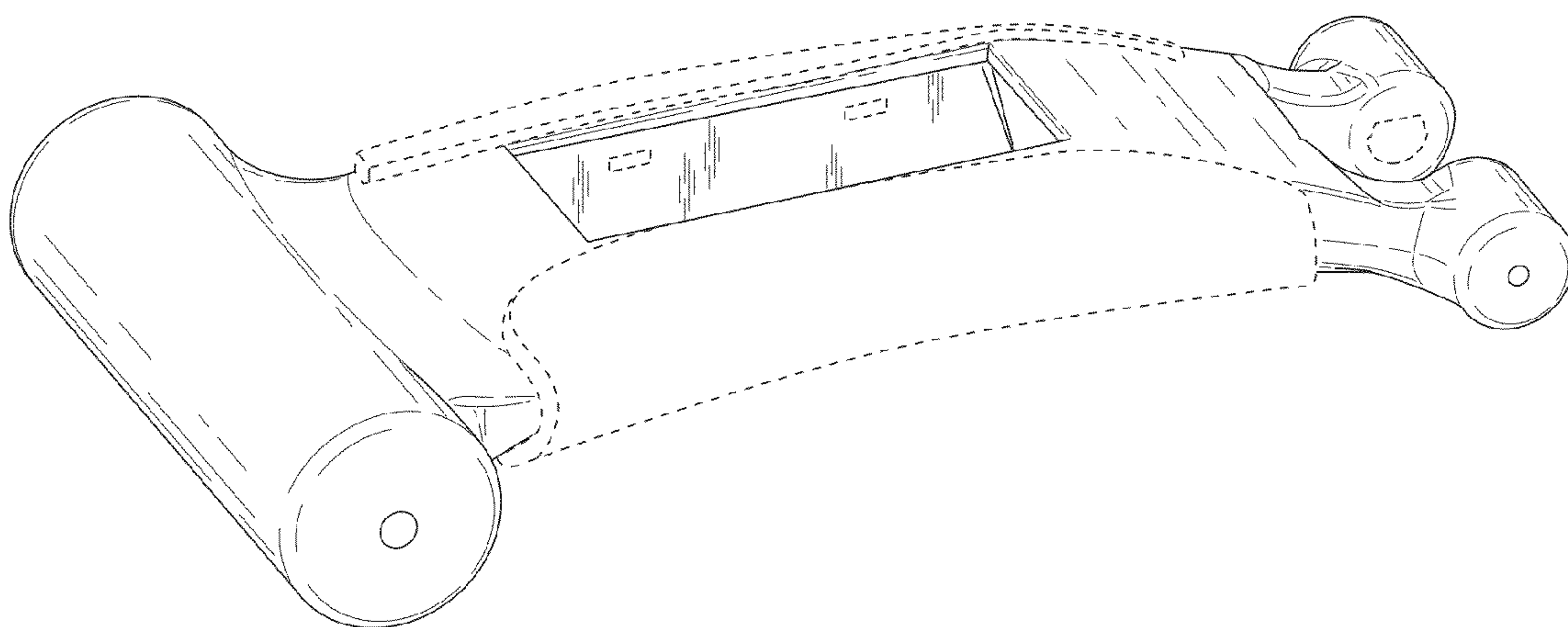
The broken lines showing attachment holes (e.g., FIGS. 1, 2), and grips (e.g., FIGS. 1, 2, 5, 6, 7, 8, 9), are for the purpose of illustrating portions of the handle for hand-held electronic video magnifier, and form no part of the claimed design. The broken lines showing the hand-held electronic video magnifier (FIG. 9) are for the purpose of illustrating an environment in which the handle for hand-held electronic video magnifier is used, and form no part of the claimed design.

**1 Claim, 4 Drawing Sheets**

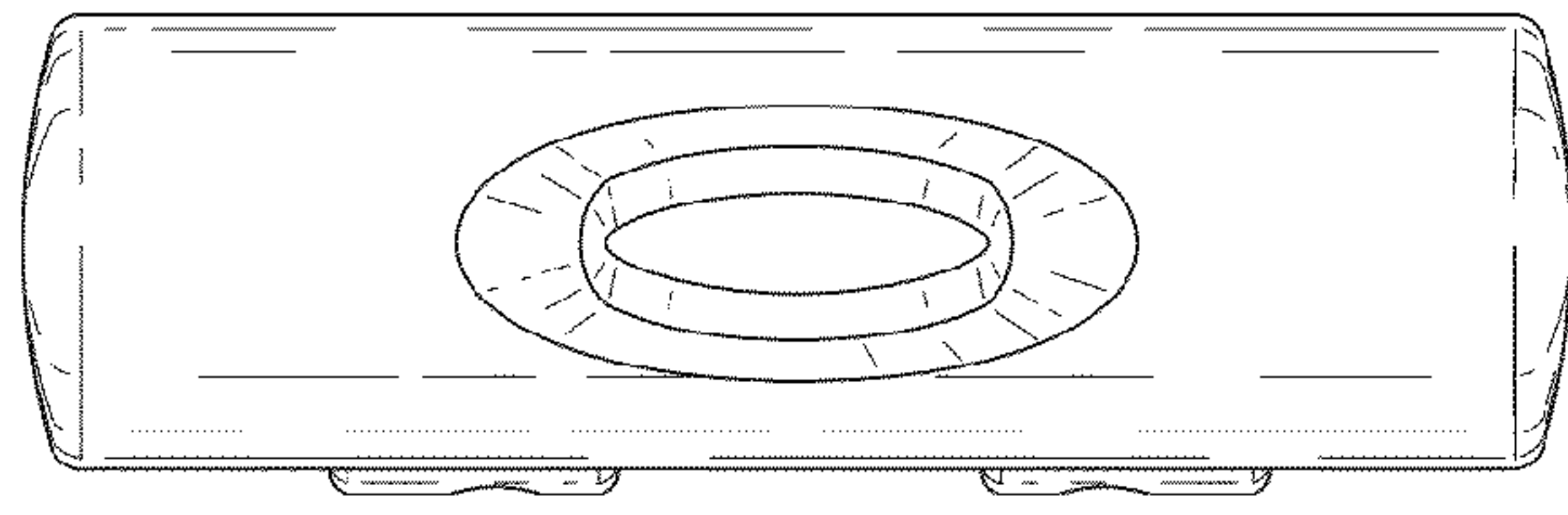




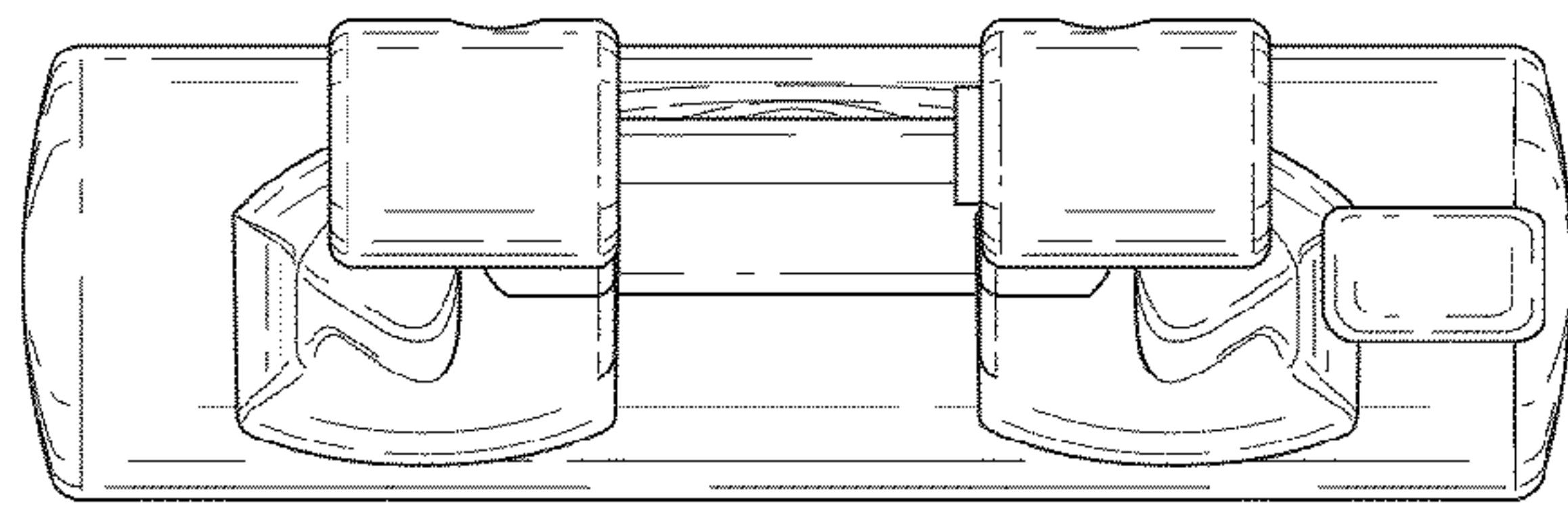
*Fig. 1*



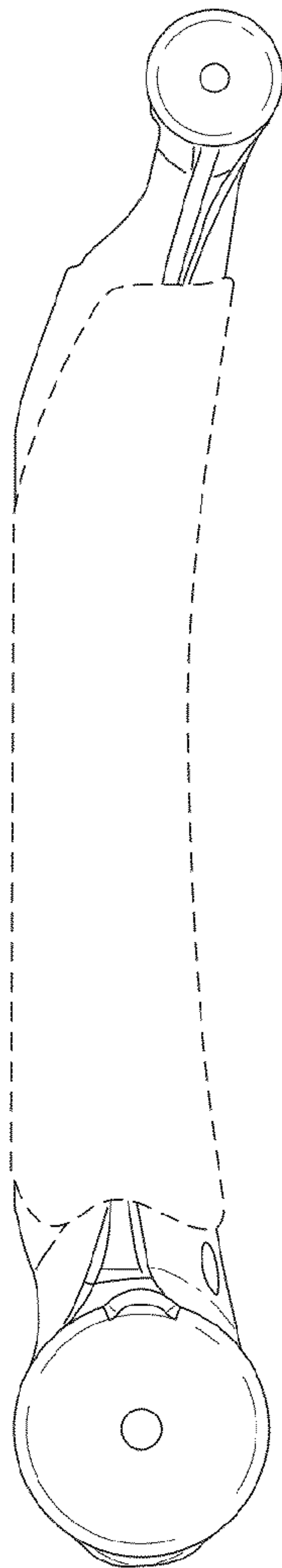
*Fig. 2*



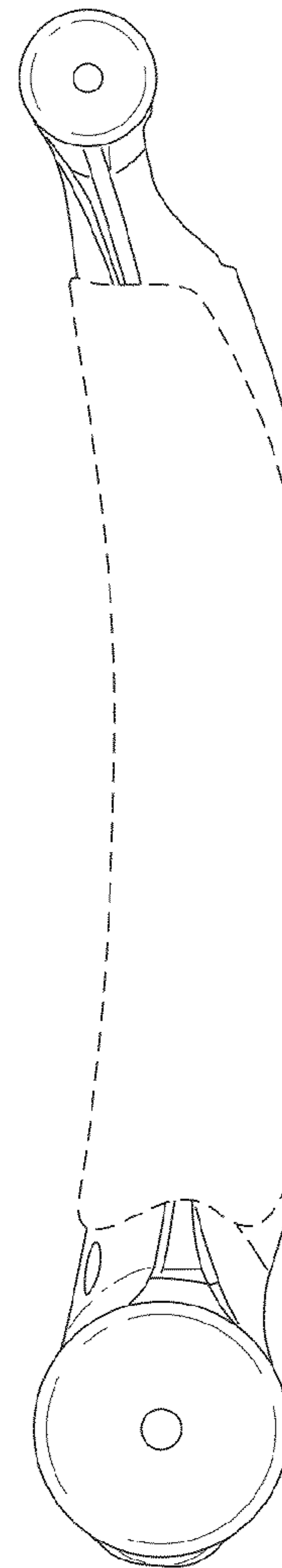
*Fig. 3*



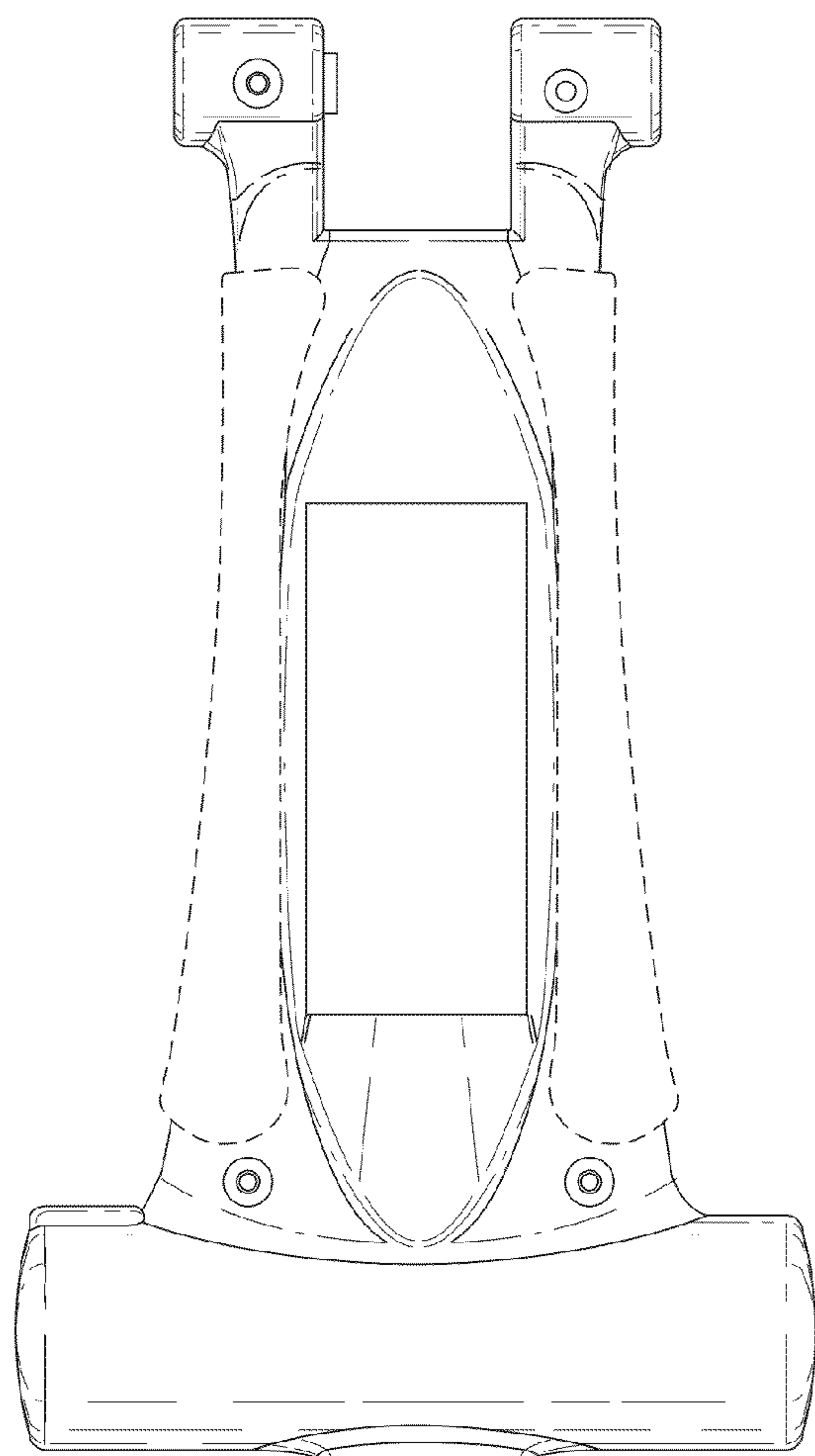
*Fig. 4*



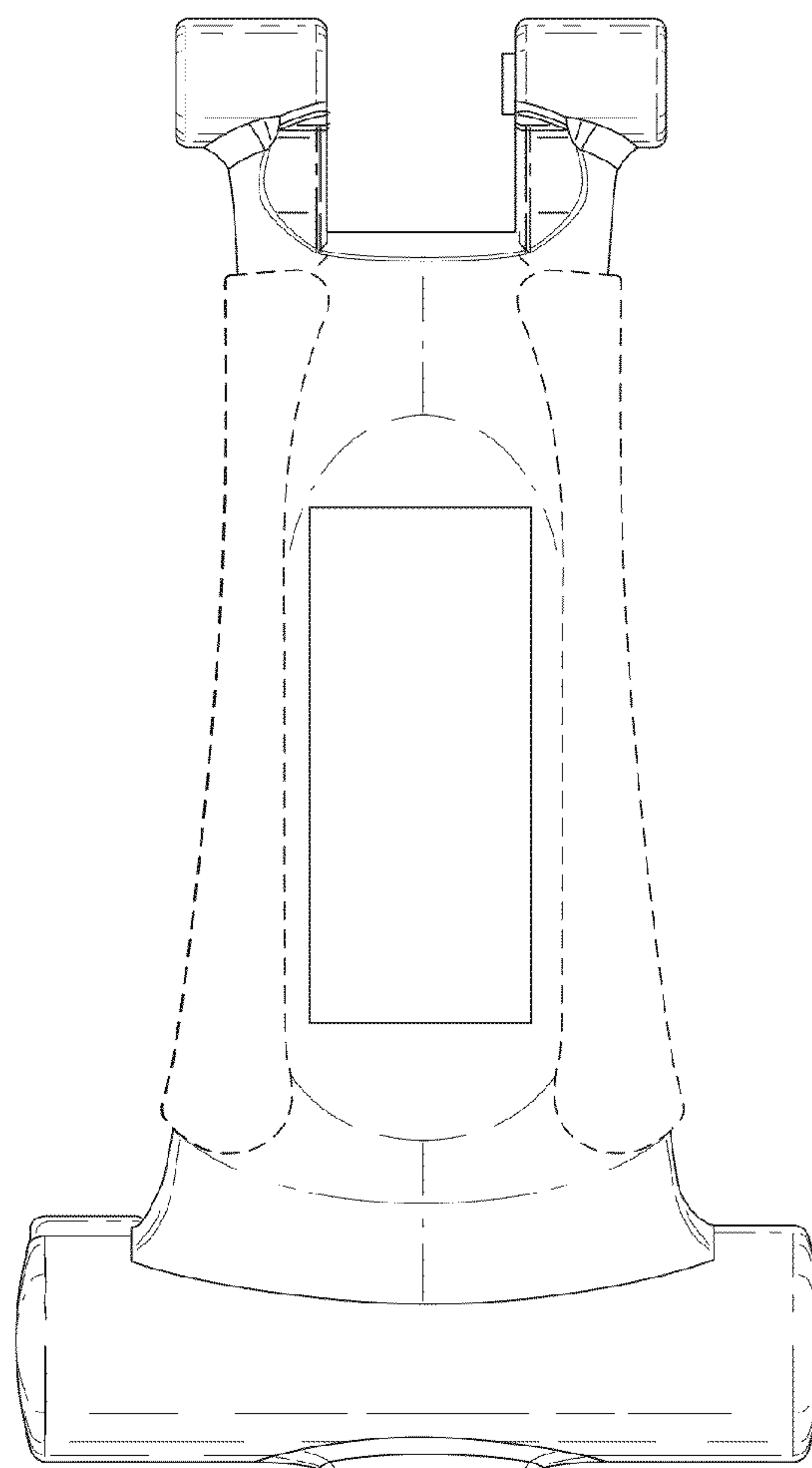
*Fig. 5*



*Fig. 6*

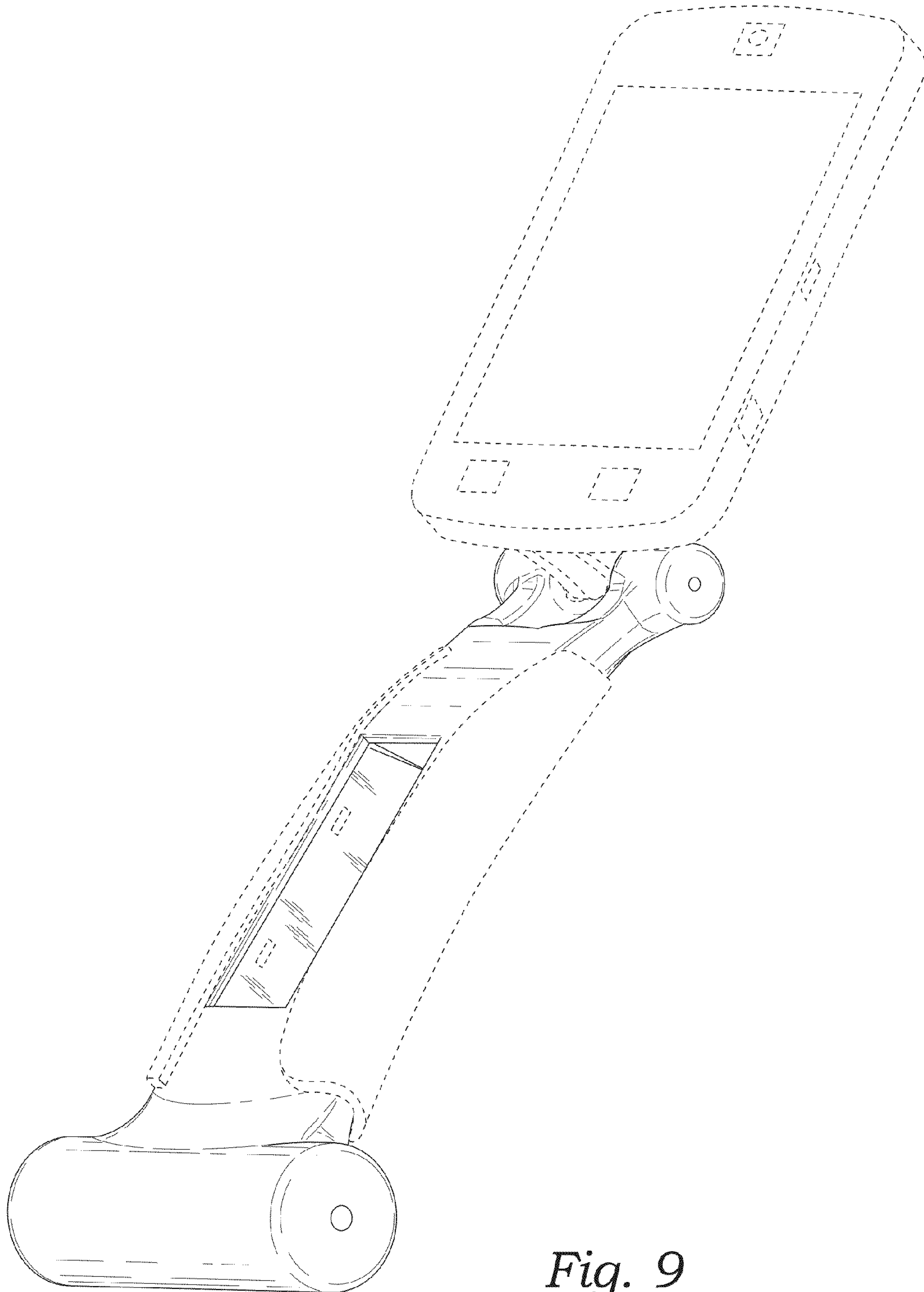


*Fig. 7*



*Fig. 8*





*Fig. 9*