



US00D709113S

(12) **United States Design Patent**
Taylor et al.

(10) **Patent No.:** **US D709,113 S**

(45) **Date of Patent:** **** *Jul. 15, 2014**

- (54) **AGITATOR FITTING ASSEMBLY**
- (71) Applicant: **Greif International Holding BV**,
Vreeland (NL)
- (72) Inventors: **Dale W. Taylor**, Hamilton, IN (US);
Steven J. Talaga, South Elgin, IL (US)
- (73) Assignee: **Greif International Holding BV**,
Vreeland (NL)

7,204,524	B2 *	4/2007	Eccleston	285/258
D699,273	S *	2/2014	Taylor et al.	D15/143
2004/0245774	A1 *	12/2004	Eccleston	285/222.1
2006/0107452	A1 *	5/2006	Fort et al.	4/507
2011/0174838	A1 *	7/2011	Schroeder	222/144.5
2011/0290949	A1 *	12/2011	Trouve et al.	248/65
2011/0302762	A1 *	12/2011	Williams et al.	29/428
2012/0049509	A1 *	3/2012	Lininger et al.	285/93
2012/0319400	A1 *	12/2012	Ford et al.	285/354
2012/0326431	A1 *	12/2012	Irwin et al.	285/45
2013/0118629	A1 *	5/2013	Mezzalana	138/109
2013/0175795	A1 *	7/2013	Taylor et al.	285/45

(*) Notice: This patent is subject to a terminal disclaimer.

* cited by examiner

(**) Term: **14 Years**

Primary Examiner — Patricia Palasik

(74) *Attorney, Agent, or Firm* — Baker Hostetler LLP

(21) Appl. No.: **29/461,760**

(22) Filed: **Jul. 26, 2013**

Related U.S. Application Data

(63) Continuation of application No. 29/443,772, filed on Jan. 22, 2013.

(51) **LOC (10) Cl.** **15-09**

(52) **U.S. Cl.**
USPC **D15/143**

(58) **Field of Classification Search**
USPC D15/143; D23/265; 277/348, 408, 511,
277/516, 548, 585, 914, 930; 285/23, 190,
285/328

See application file for complete search history.

(56) **References Cited**

U.S. PATENT DOCUMENTS

4,693,710	A *	9/1987	McCool	604/533
4,983,064	A *	1/1991	Kawaguchi et al.	403/30
5,003,838	A *	4/1991	Pospisil et al.	74/502.4

(57) **CLAIM**

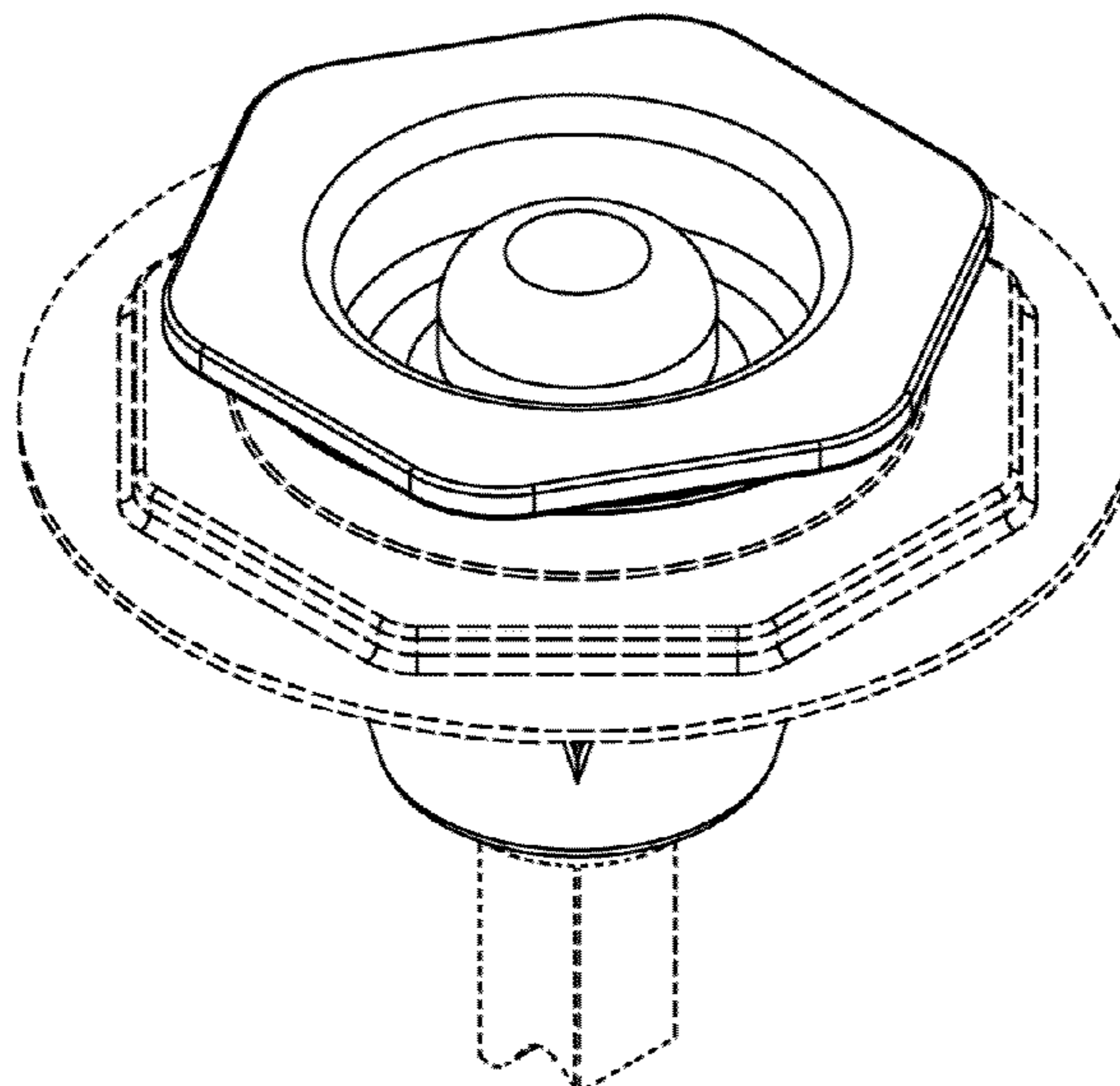
The ornamental design for an agitator fitting assembly, as shown and described.

DESCRIPTION

FIG. 1 is a top, perspective view of the agitator fitting assembly showing our new design;
 FIG. 2 is a bottom, perspective view thereof;
 FIG. 3 is a top view thereof;
 FIG. 4 is a bottom view thereof;
 FIG. 5 is a side view thereof;
 FIG. 6 is a front view thereof;
 FIG. 7 is a cross-section thereof along the plane of lines 7-7 of FIG. 3; and,
 FIG. 8 is a cross-section thereof along the plane of lines 8-8 of FIG. 3.

The broken lines included in the drawings are for illustrative purposes and form no part of the claimed design.

1 Claim, 5 Drawing Sheets



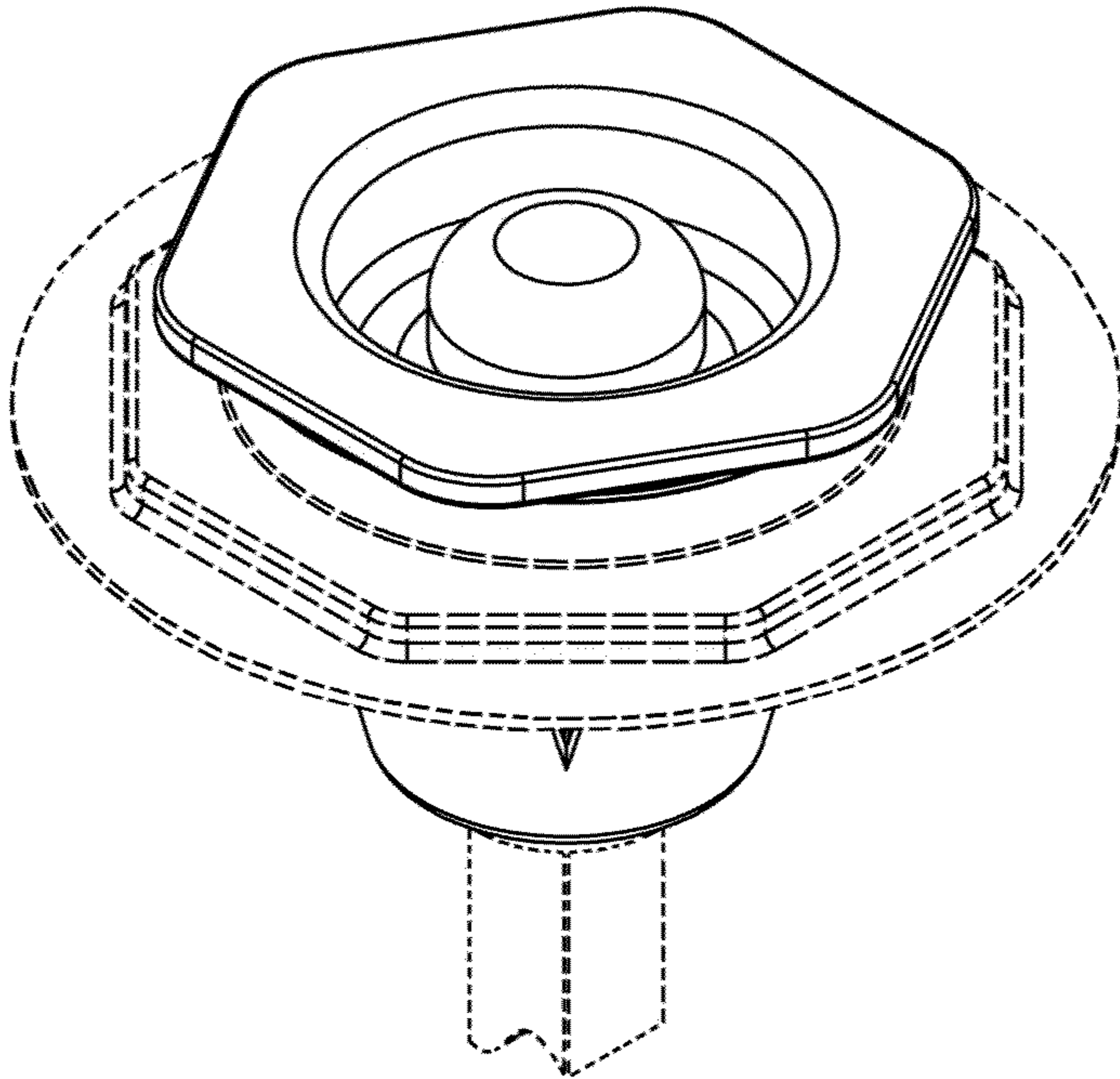


FIG. 1

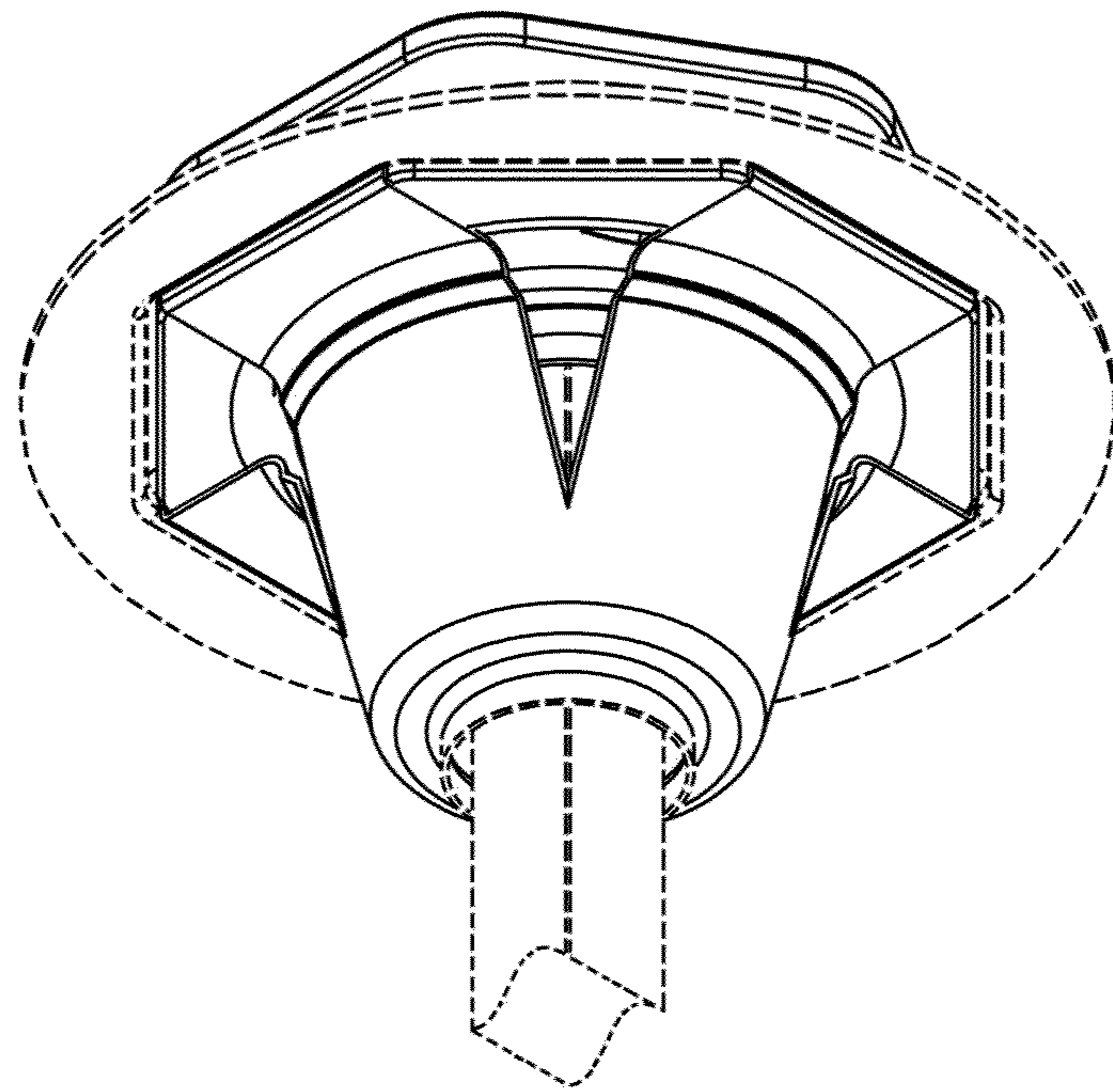


FIG. 2

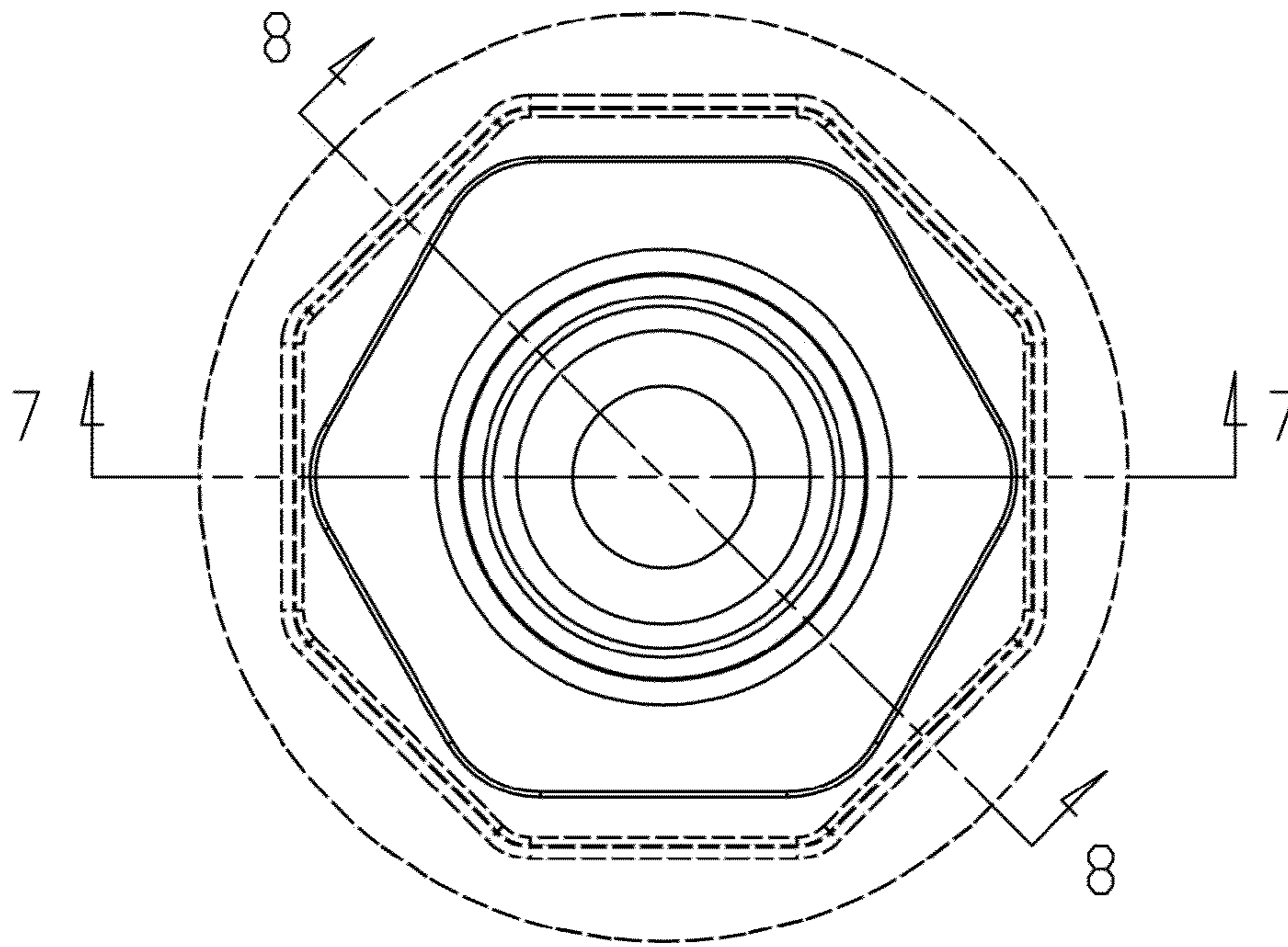


FIG. 3

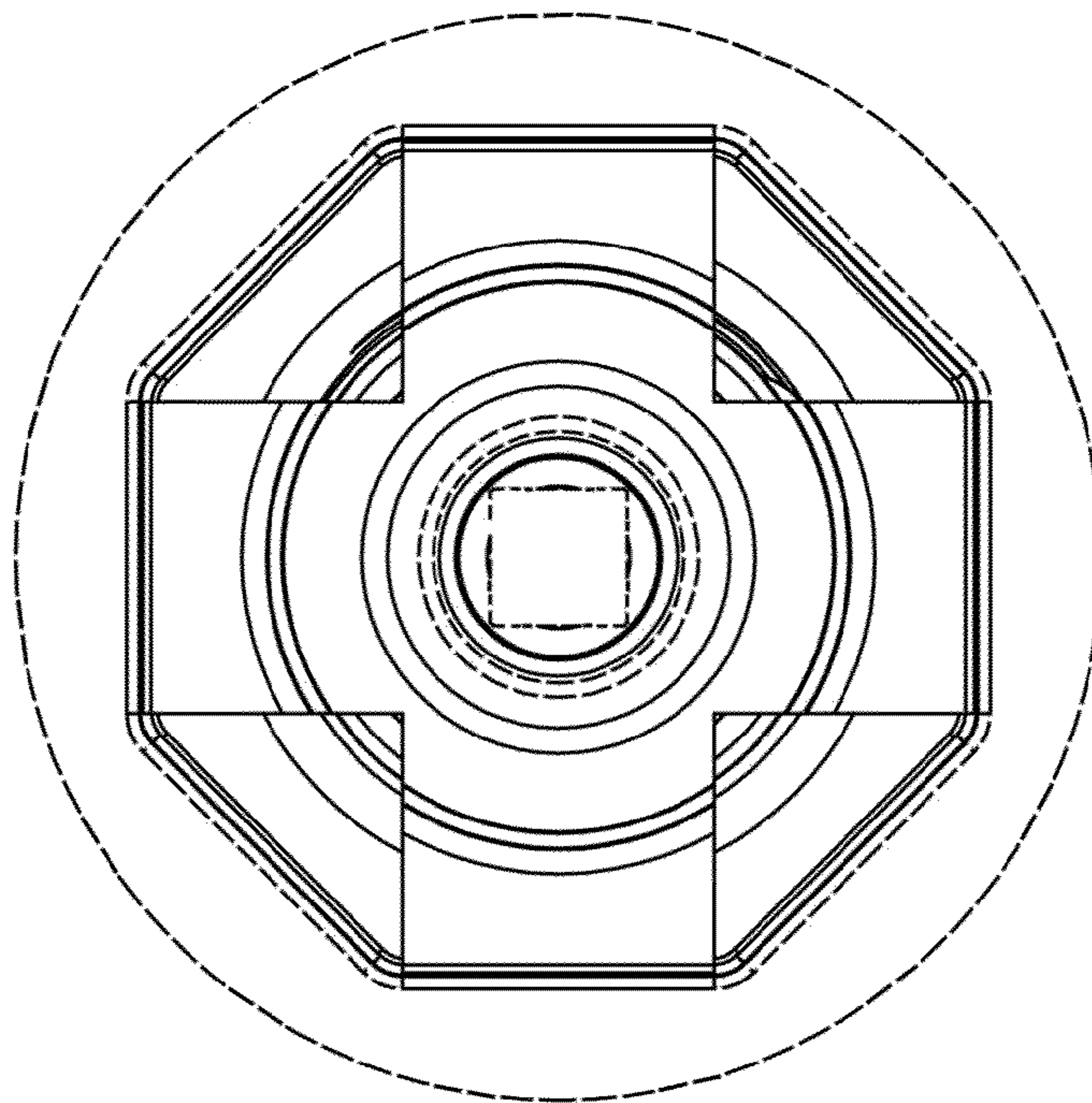


FIG. 4

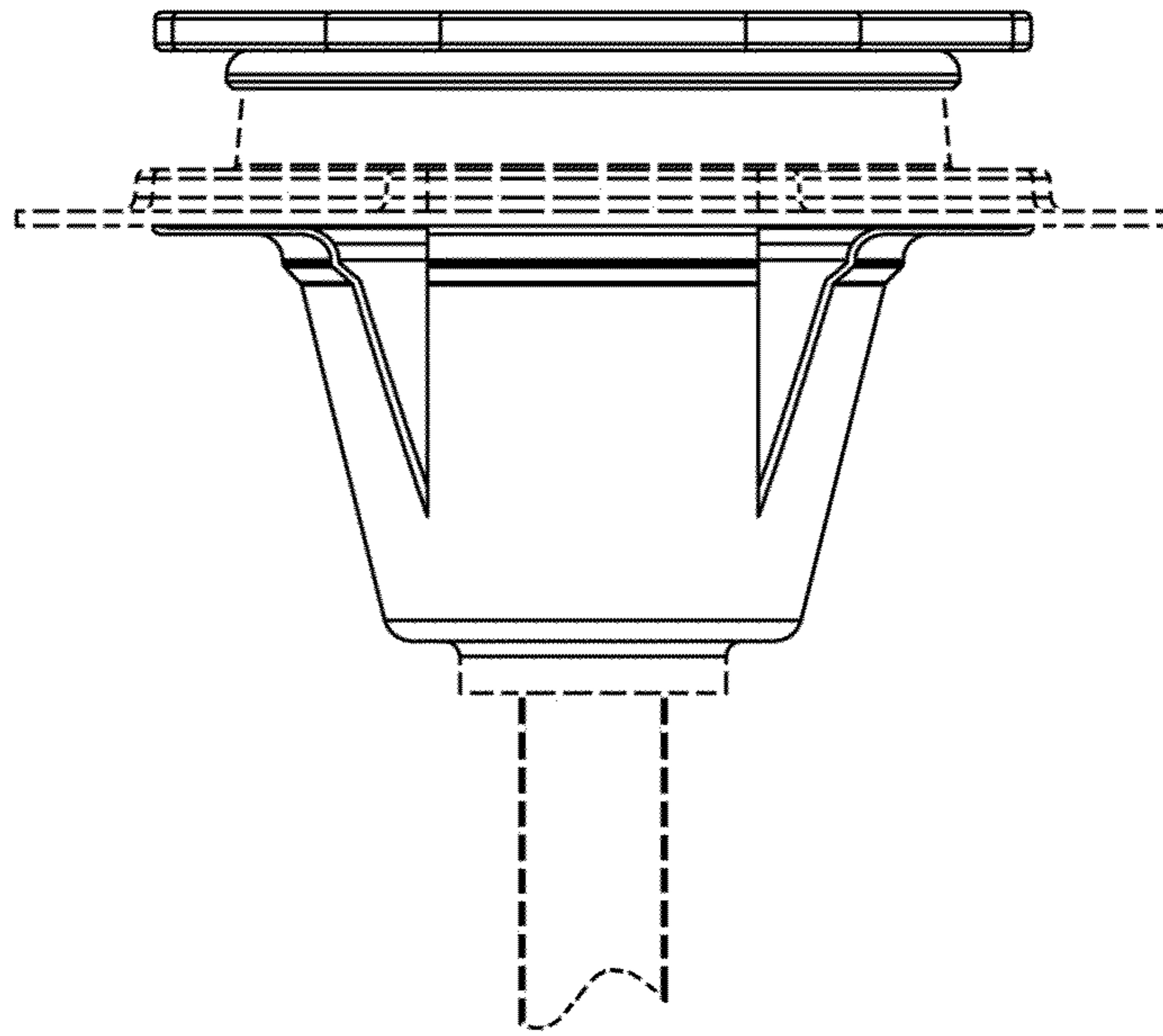


FIG. 5

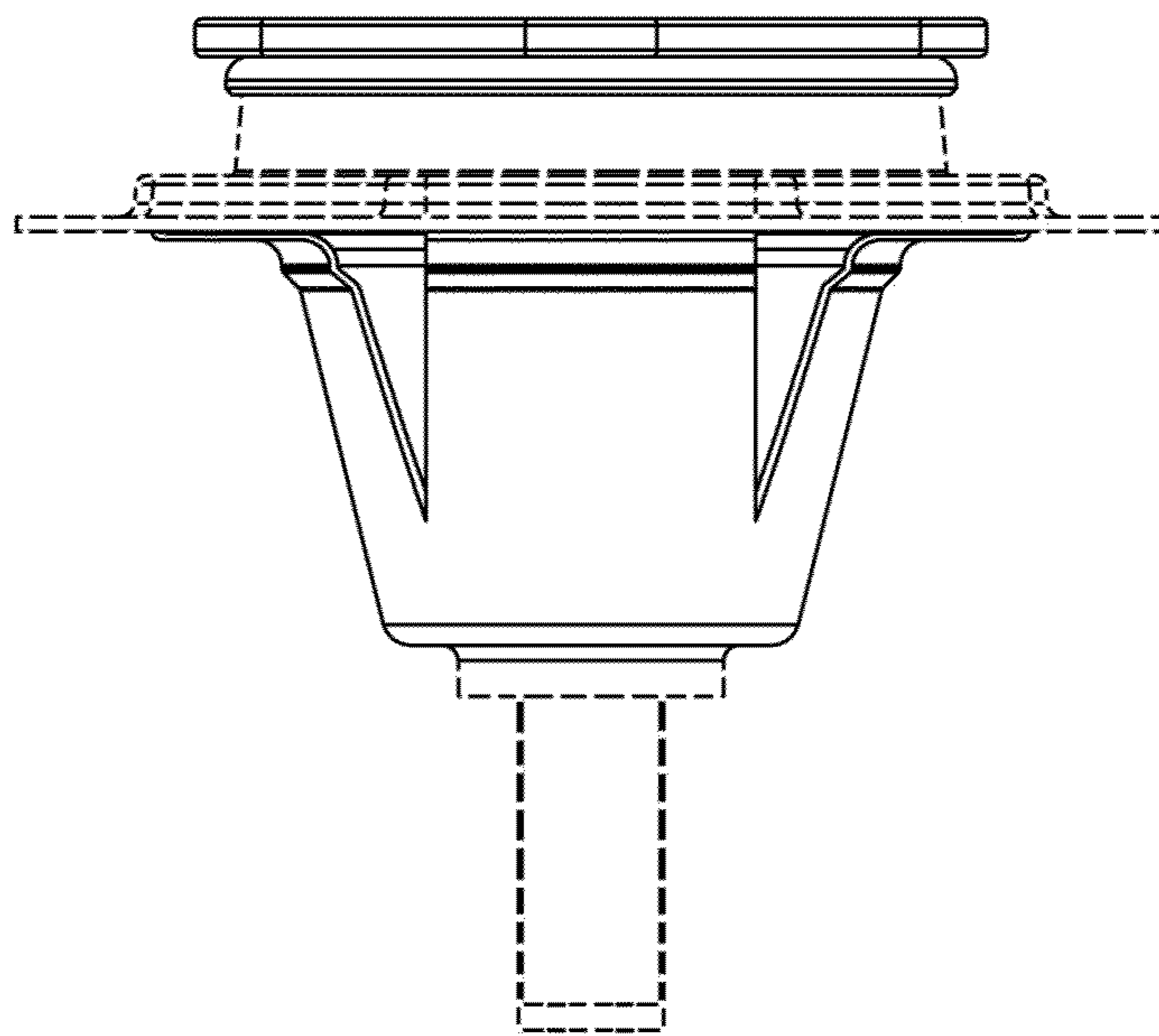


FIG. 6

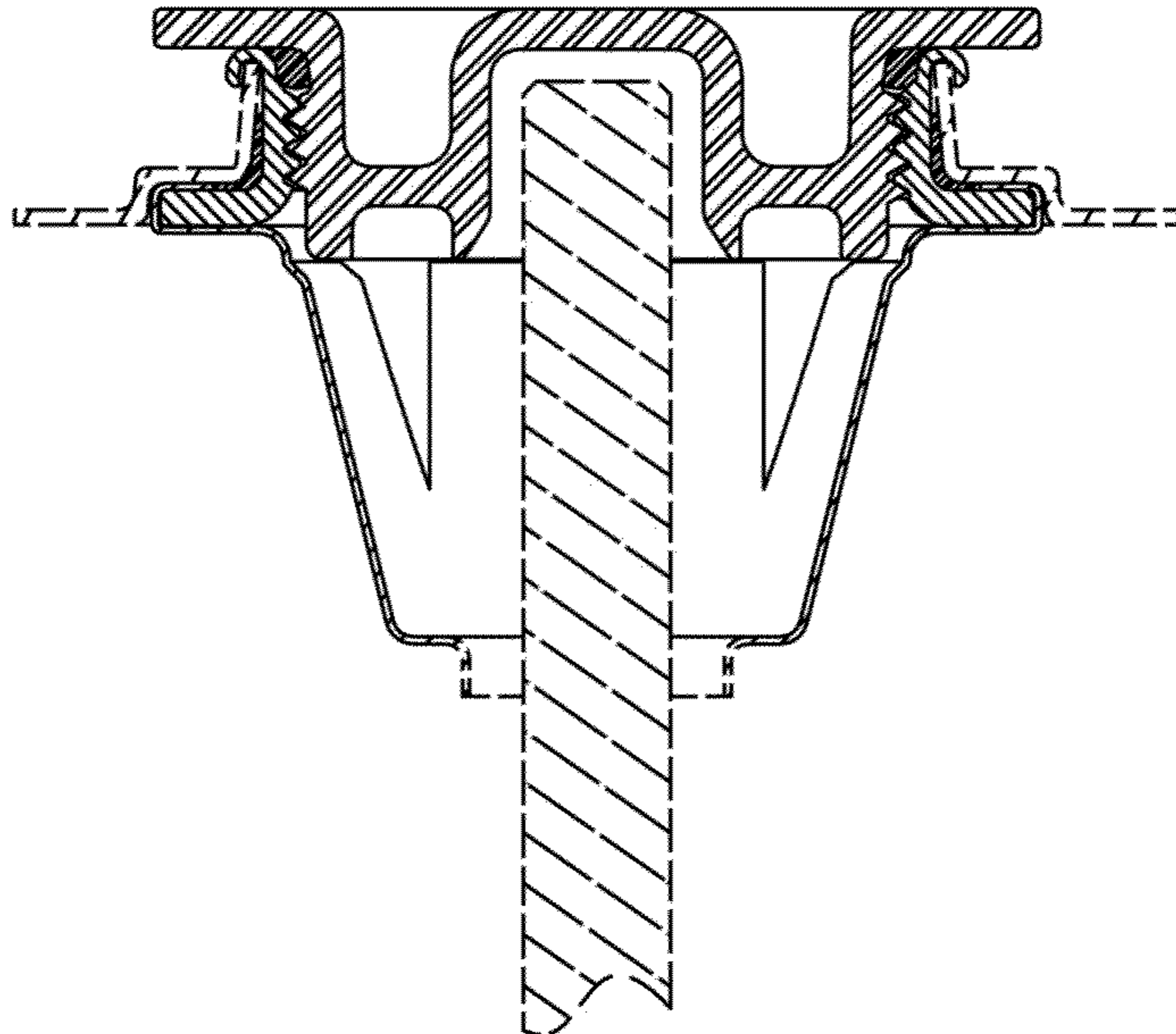


FIG. 7

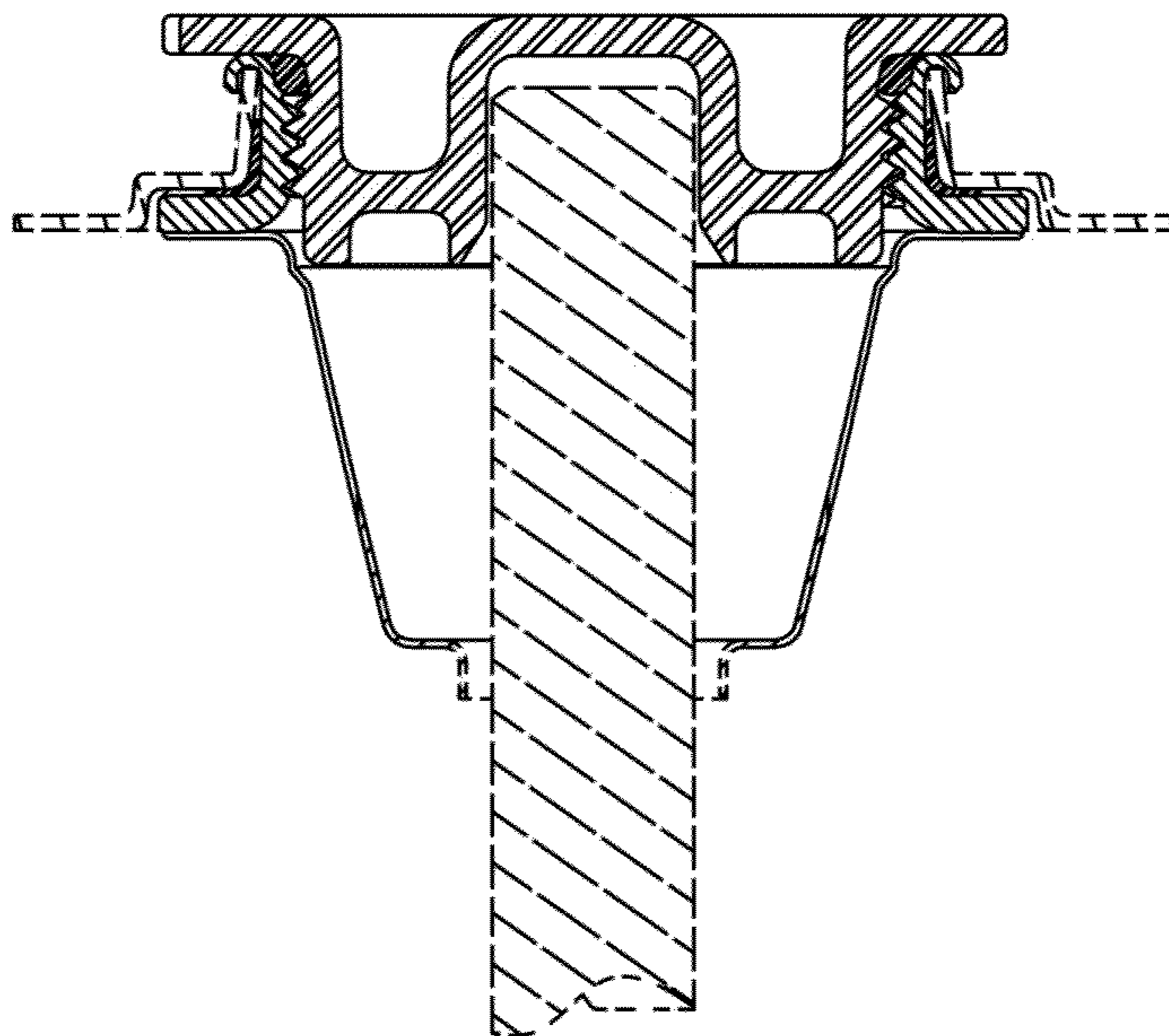


FIG. 8